



US00D788685S

(12) **United States Design Patent**  
**Suzuki**

(10) **Patent No.:** **US D788,685 S**

(45) **Date of Patent:** **\*\* \*Jun. 6, 2017**

(54) **AUTOMOBILE TIRE**

(71) Applicant: **THE YOKOHAMA RUBBER CO., LTD.**, Minato-ku, Tokyo (JP)

(72) Inventor: **Takumi Suzuki**, Hiratsuka (JP)

(73) Assignee: **THE YOKOHAMA RUBBER CO., LTD.**, Minato-ku, Tokyo (JP)

(\*) Notice: This patent is subject to a terminal disclaimer.

(\*\*) Term: **15 Years**

(21) Appl. No.: **29/542,454**

(22) Filed: **Oct. 14, 2015**

(30) **Foreign Application Priority Data**

Apr. 15, 2015 (JP) ..... 2015-008583

(51) **LOC (10) Cl.** ..... **12-15**

(52) **U.S. Cl.**  
USPC ..... **D12/527**

(58) **Field of Classification Search**  
USPC ..... D12/519-532, 586-603, 551-567  
CPC ..... B60C 1/0016; B60C 11/0302-11/0318;  
B60C 11/11-11/13; B60C 3/06; B60C  
9/17; B60C 2200/10

See application file for complete search history.

(56) **References Cited**

**U.S. PATENT DOCUMENTS**

D524,233 S \* 7/2006 Marazzi ..... D12/521  
D666,964 S \* 9/2012 Ishida ..... D12/519

D667,360 S \* 9/2012 Ishida ..... D12/523  
D700,880 S \* 3/2014 Takemoto ..... D12/531  
D730,809 S \* 6/2015 Bonifas ..... D12/523  
D740,210 S \* 10/2015 Uphouse ..... D12/588  
D757,642 S \* 5/2016 Kwak ..... D12/601  
2005/0183807 A1\* 8/2005 Hildebrand ..... B60C 11/0306  
152/209.2

\* cited by examiner

*Primary Examiner* — Cathron Brooks

*Assistant Examiner* — Ian Whitmore

(74) *Attorney, Agent, or Firm* — Banner & Witcoff, Ltd.

(57) **CLAIM**

The ornamental design for an automobile tire, as shown and described.

**DESCRIPTION**

FIG. 1 is a perspective view of an automobile tire showing my new design;

FIG. 2 is a front view thereof;

FIG. 3 is a rear view thereof;

FIG. 4 is a right side view thereof;

FIG. 5 is a left side view thereof;

FIG. 6 is a top view thereof;

FIG. 7 is a bottom view thereof;

FIG. 8 is a partially enlarged view of a portion defined by lines 8-8 shown in FIG. 1;

FIG. 9 is a partially enlarged view of a portion defined by lines 9-9 shown in FIG. 2; and,

FIG. 10 is a cross sectional view of a portion defined by lines 10-10 shown in FIG. 9.

The dashed broken lines illustrate the tire sidewall and inner bead. The dashed broken lines form no part of the claimed design. The dot-dash lines illustrate the peripheral boundary of the claimed design and form no part thereof.

**1 Claim, 10 Drawing Sheets**

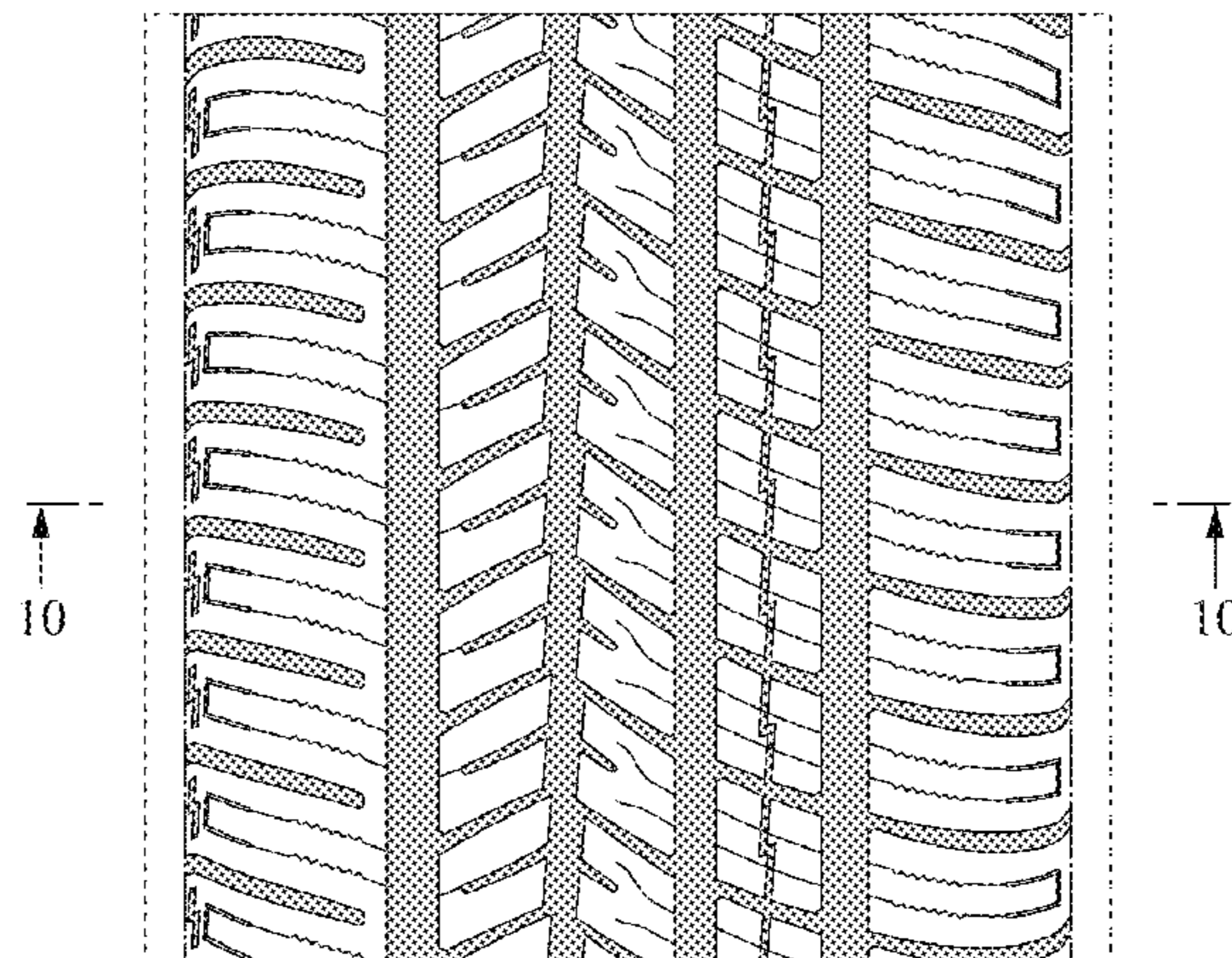
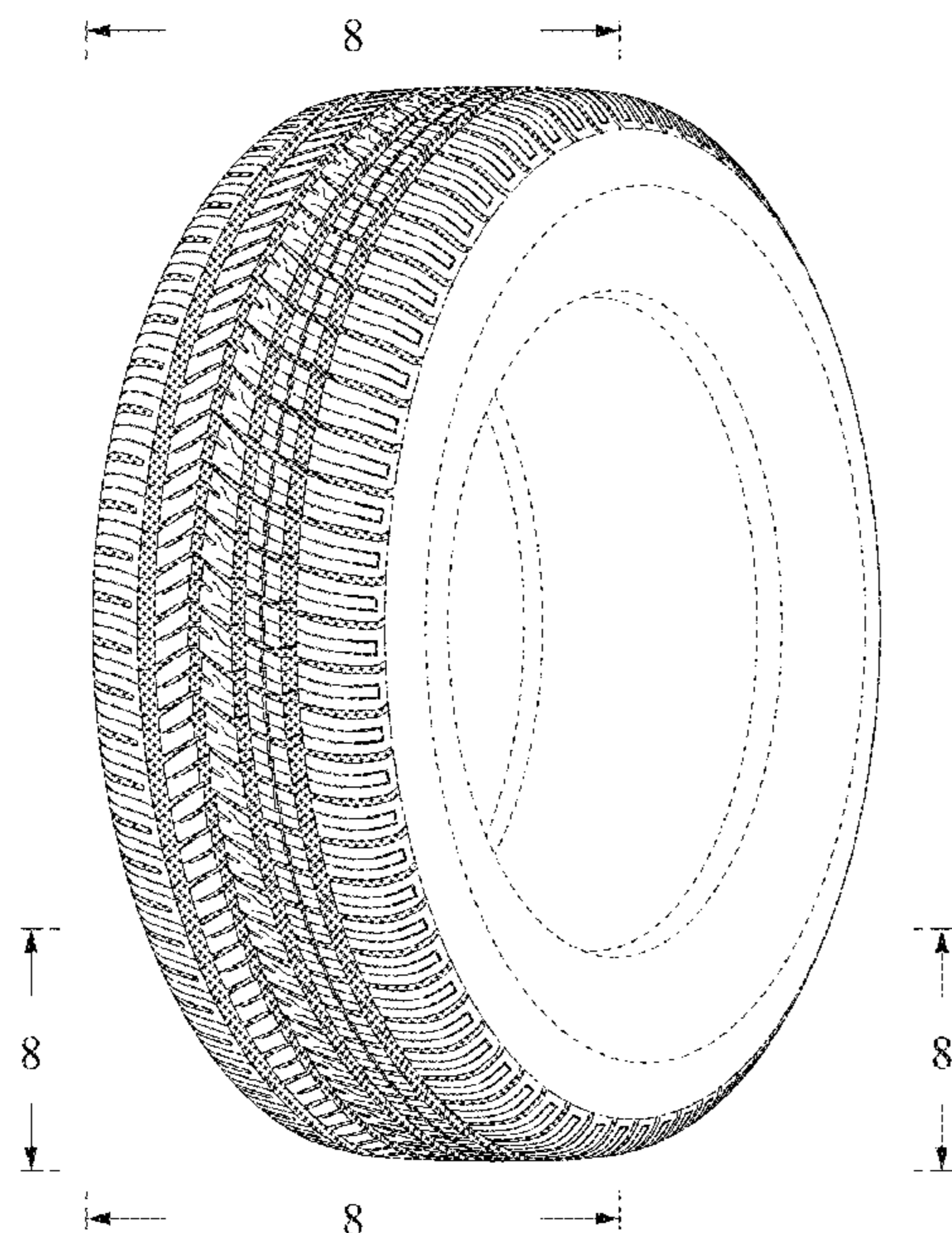


FIG. 1

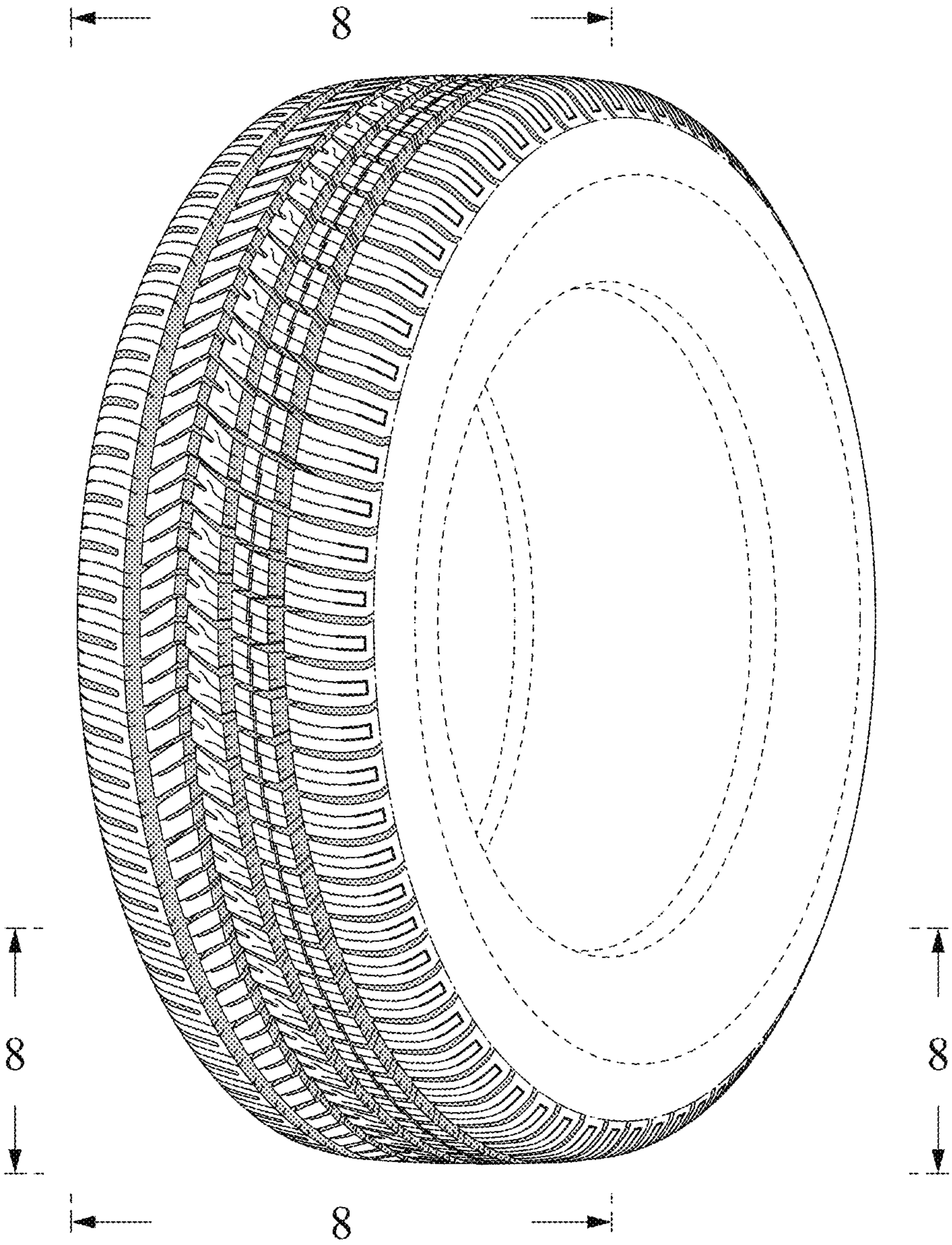


FIG. 2

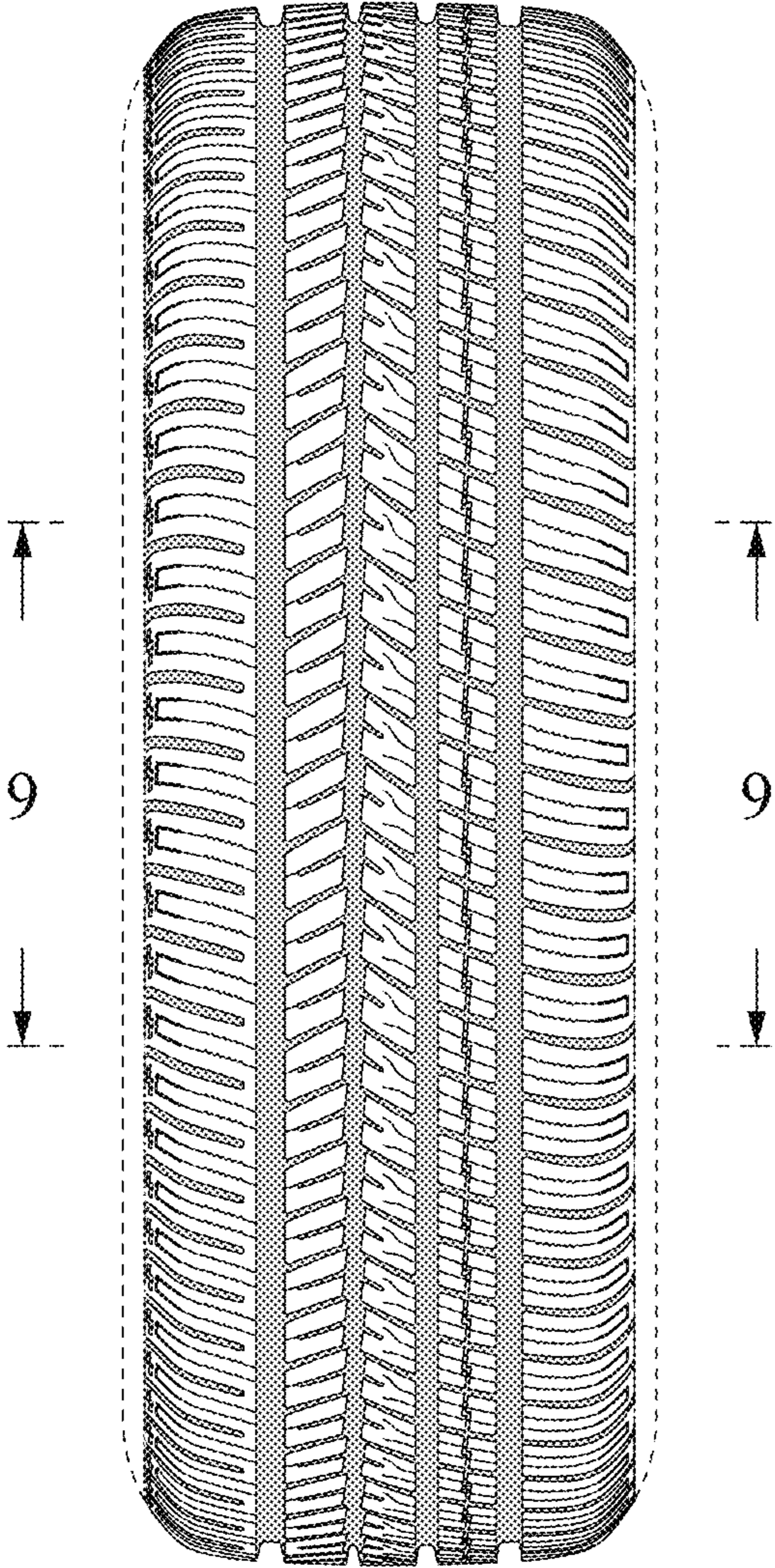
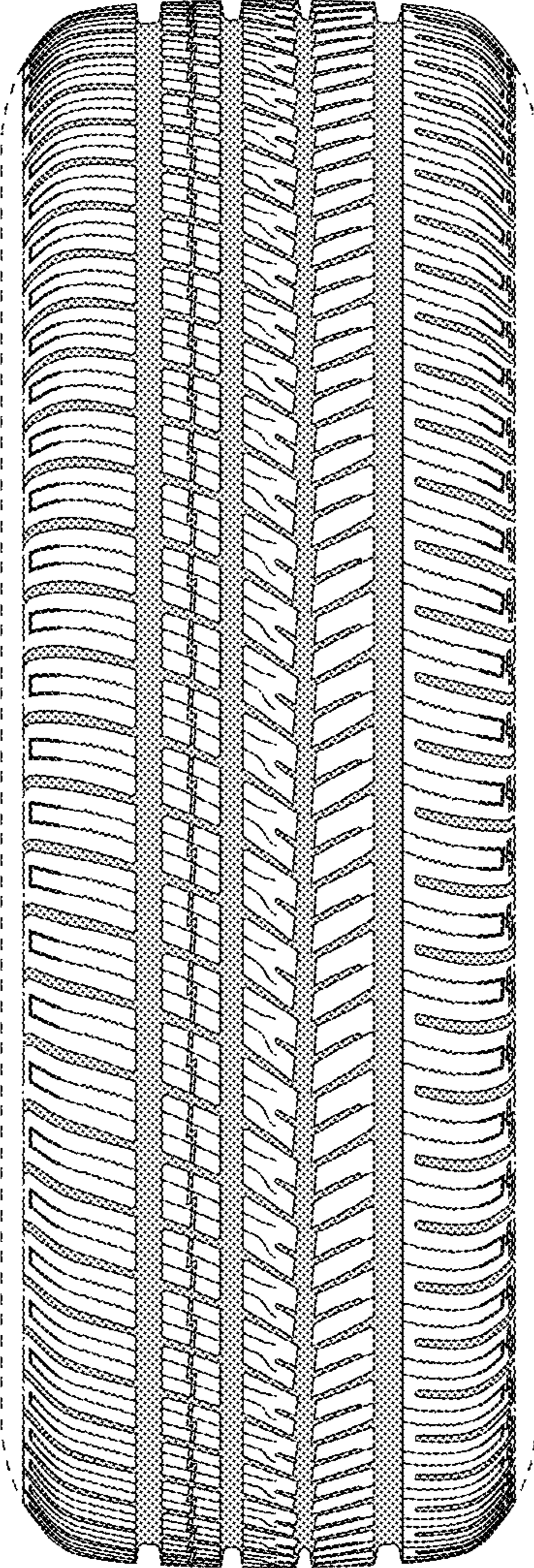
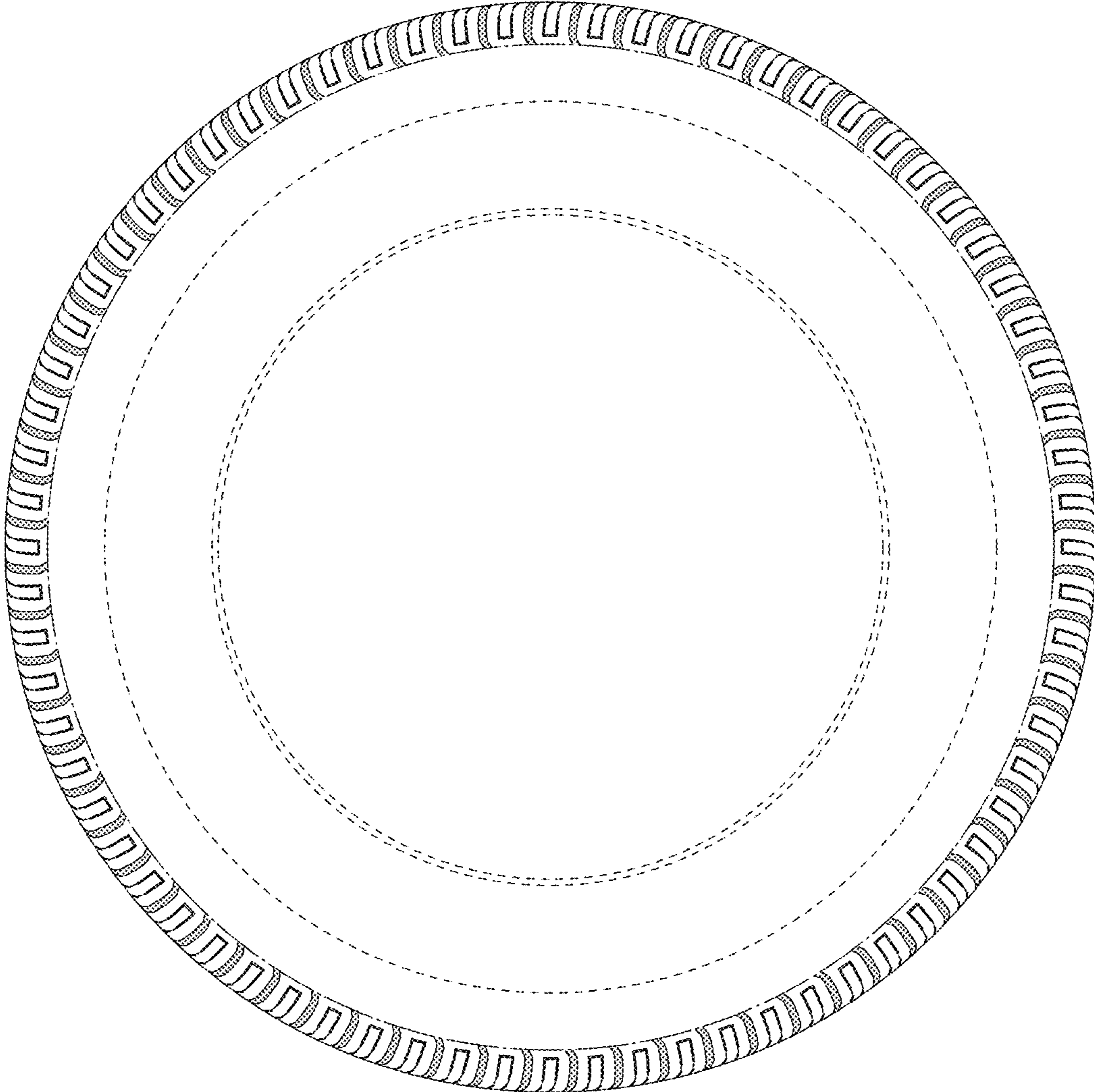


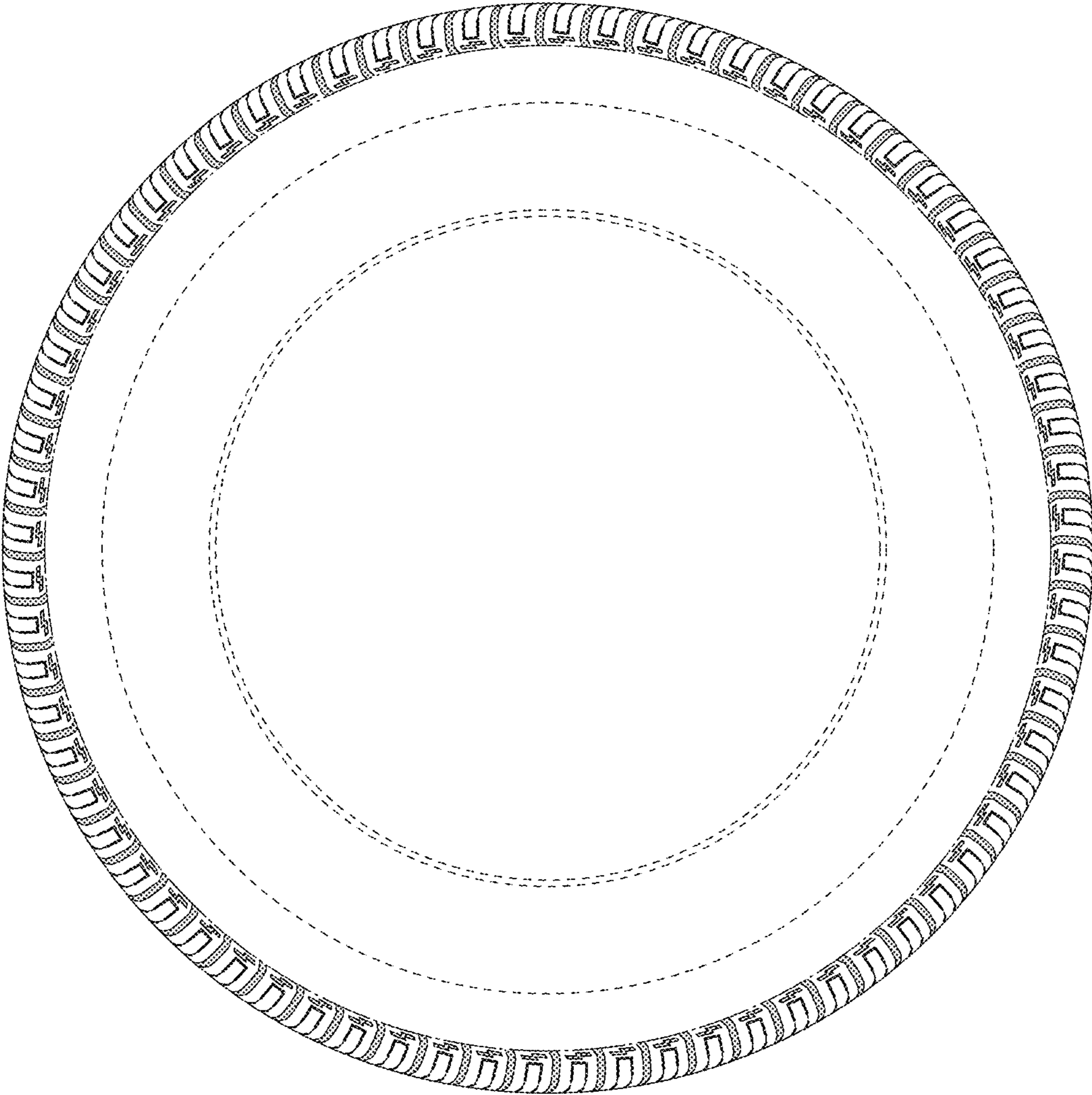
FIG. 3



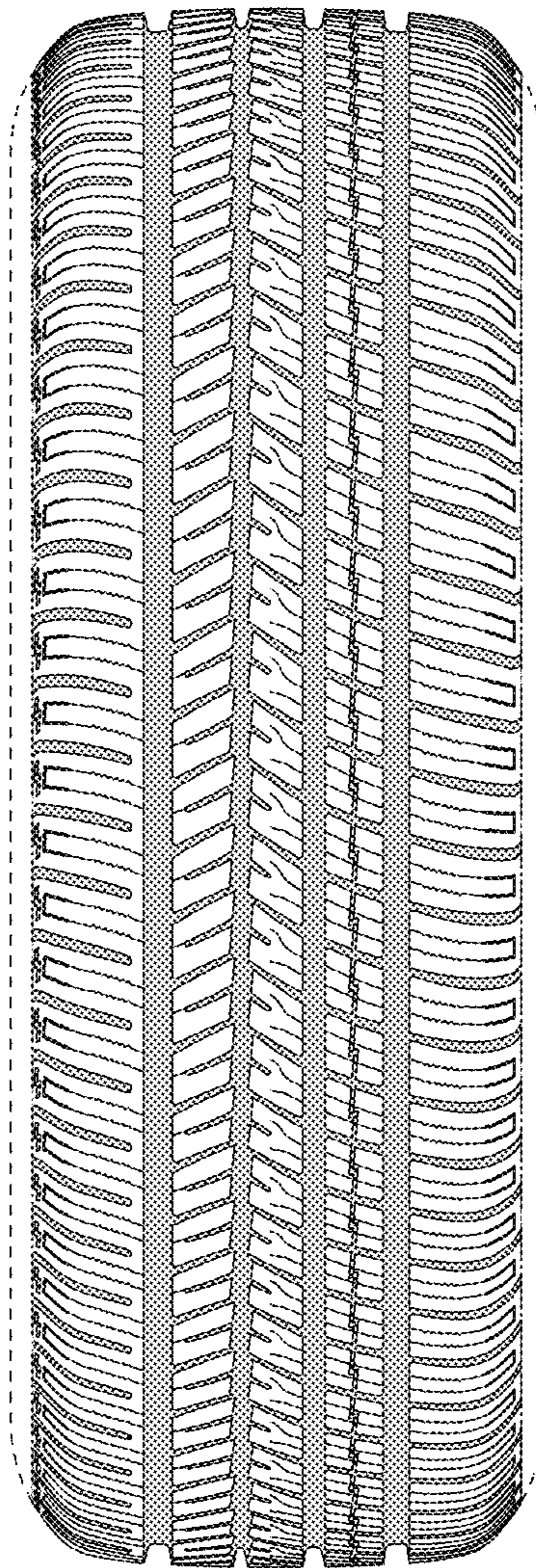
**FIG. 4**



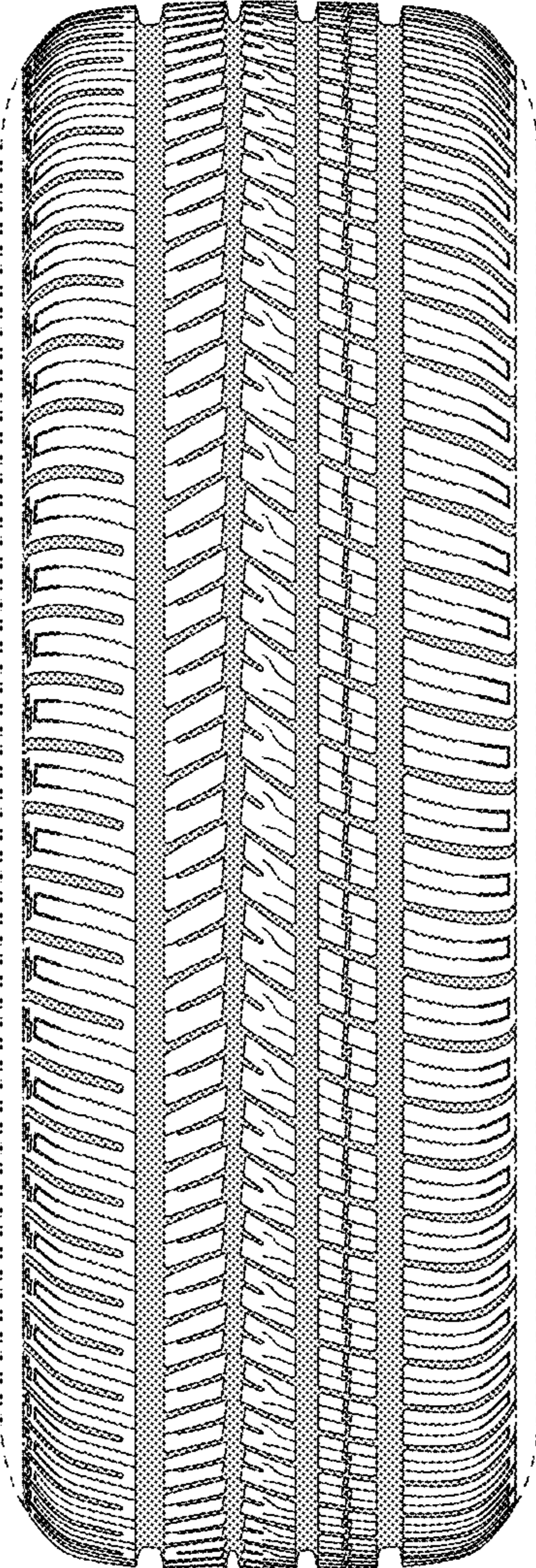
**FIG. 5**



**FIG. 6**



**FIG. 7**





**FIG. 8**

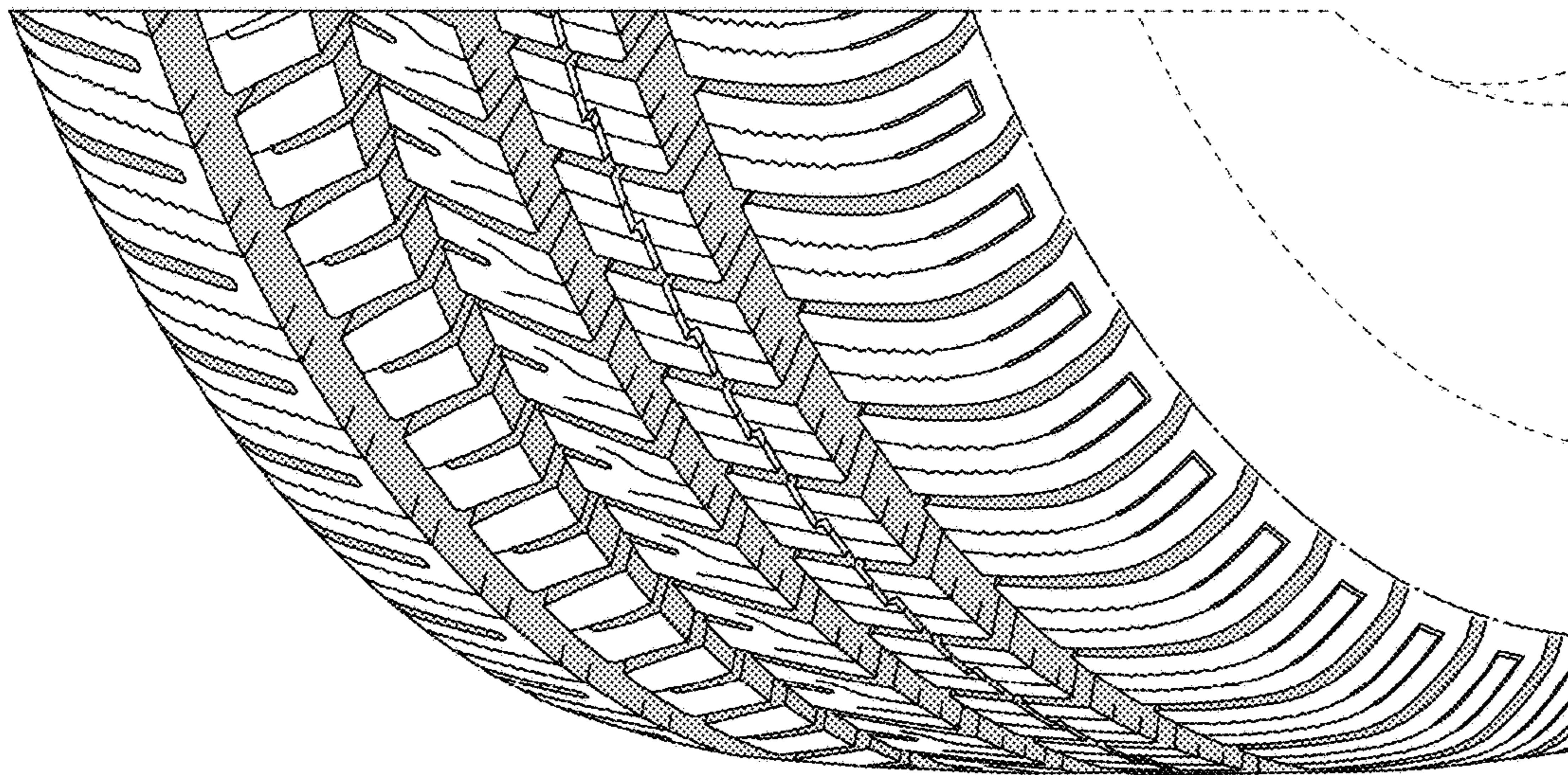
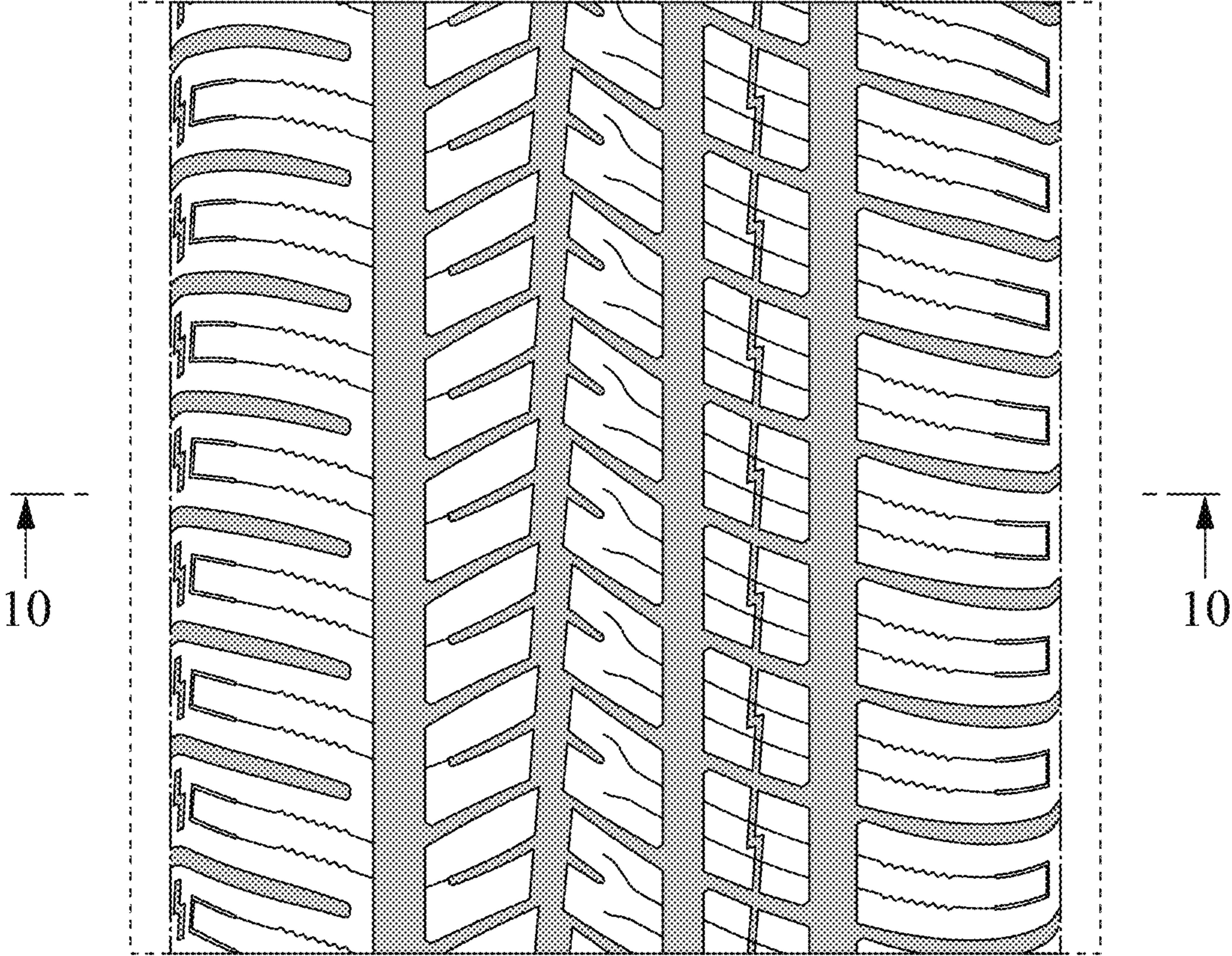


FIG. 9



**FIG. 10**

