



US00D788682S

(12) **United States Design Patent**
Chun

(10) **Patent No.:** **US D788,682 S**

(45) **Date of Patent:** **** Jun. 6, 2017**

(54) **BOAT**
(71) Applicant: **Jin Yong Chun**, Gyeonggi-Do (KR)
(72) Inventor: **Jin Yong Chun**, Bucheon-si (KR)
(**) Term: **15 Years**
(21) Appl. No.: **35/500,840**
(22) Filed: **Oct. 22, 2015**

5,632,224 A * 5/1997 Schneider B63B 27/143
114/362
D482,648 S * 11/2003 Eck D12/300
D514,054 S * 1/2006 Blount D12/300
D540,889 S * 4/2007 Yuen D12/314
D544,824 S * 6/2007 Eckert D12/302
D563,860 S * 3/2008 Roberts D12/300
D594,807 S * 6/2009 Smith D12/300
D607,398 S * 1/2010 Hartman D12/300
D607,804 S * 1/2010 Hartman D12/300
D743,318 S * 11/2015 Curts D12/317
D764,376 S * 8/2016 Braver D12/300

* cited by examiner

(80) **Hague Agreement Data**

Int. Filing Date: **Oct. 22, 2015**
Int. Reg. No.: **DM/089339**
Int. Reg. Date: **Oct. 22, 2015**
Int. Reg. Pub. Date: **Apr. 22, 2016**

Primary Examiner — Michael A Pratt

(51) **LOC (10) Cl.** **12-06**
(52) **U.S. Cl.**
USPC **D12/300**

(57) **CLAIM**

The ornamental design for a boat, as shown and described.

(58) **Field of Classification Search**
USPC D12/300, 302, 303, 304, 307, 310–314,
D12/316–317
CPC B63B 17/00; B63B 17/02; B63B 35/81;
B63B 35/816; B62B 21/04
See application file for complete search history.

DESCRIPTION

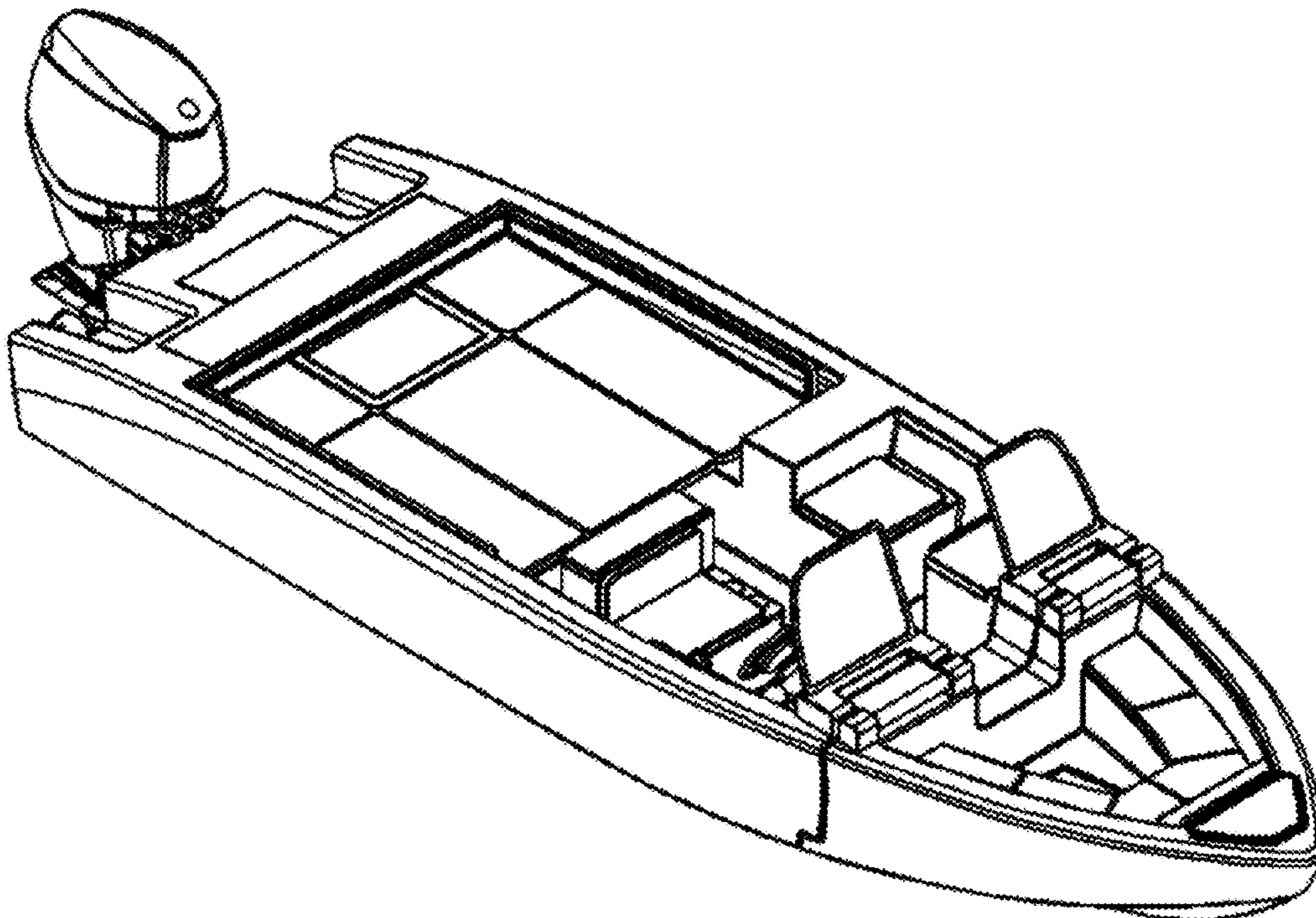
- 1. Boat
- 1.1 : Perspective
- 1.2 : Front
- 1.3 : Back
- 1.4 : Left
- 1.5 : Right
- 1.6 : Top
- 1.7 : Bottom

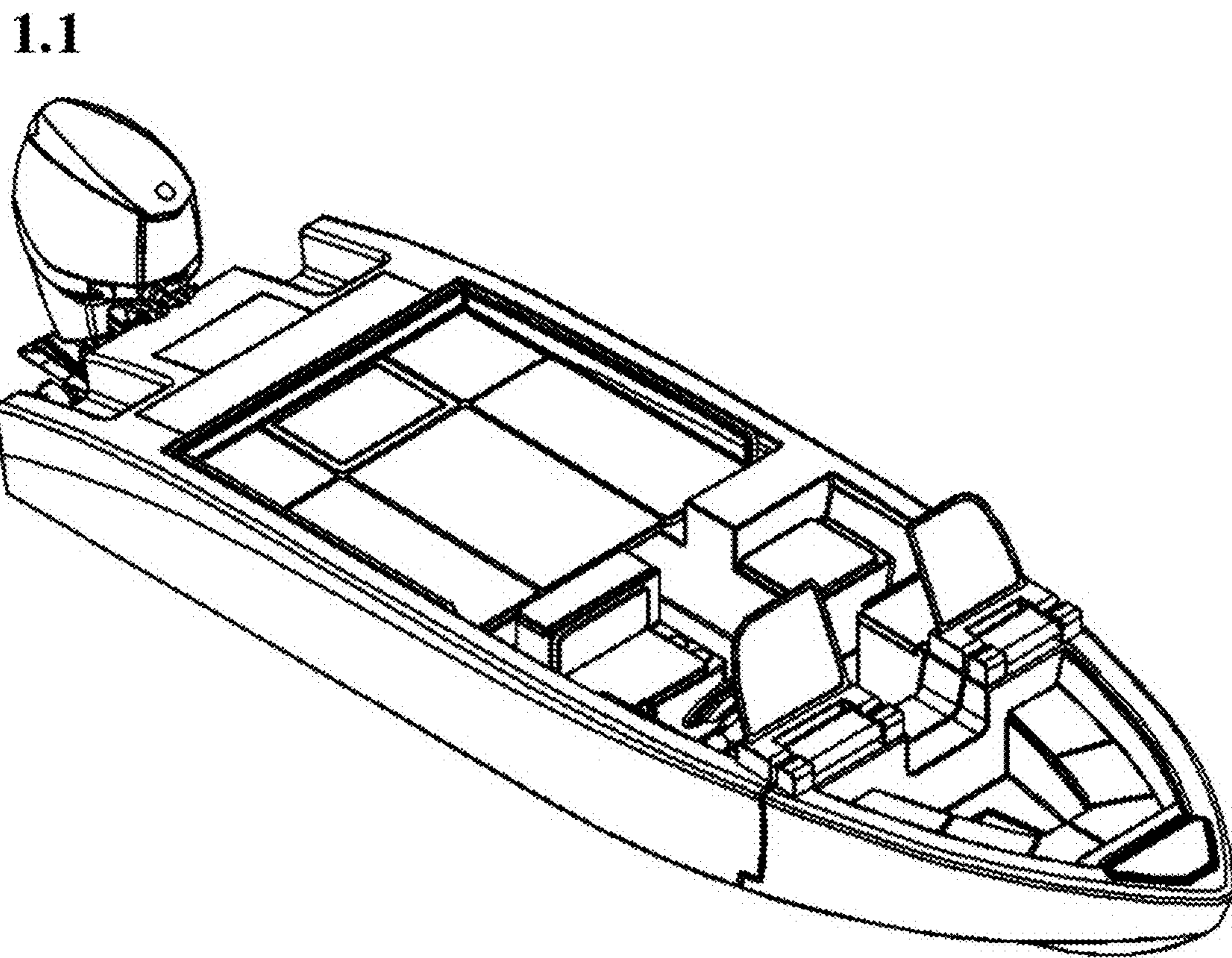
(56) **References Cited**

U.S. PATENT DOCUMENTS

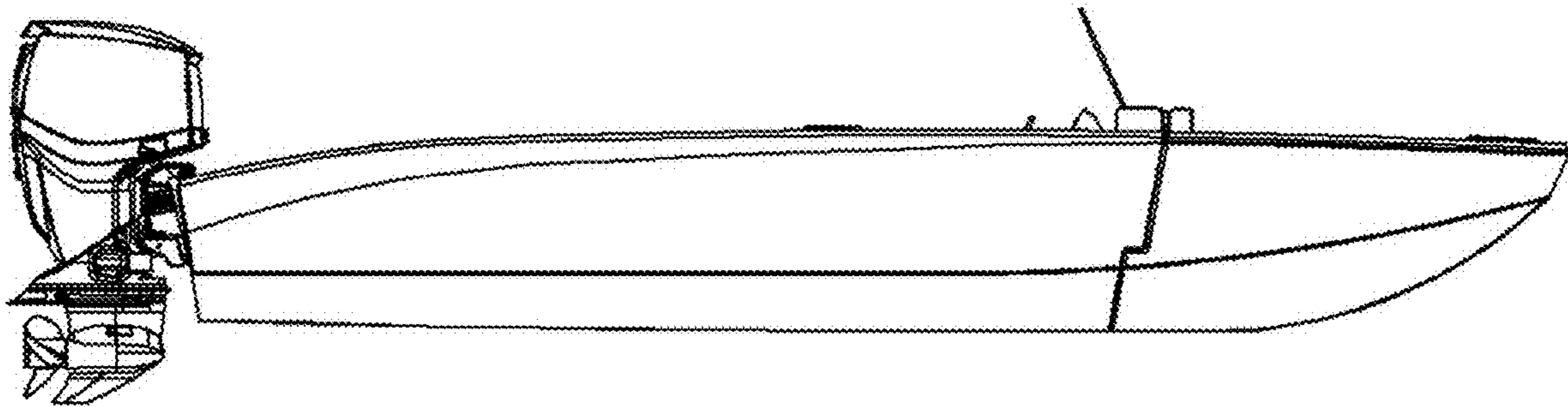
D317,895 S * 7/1991 Lathers D12/314
D324,367 S * 3/1992 Hart D12/313

1 Claim, 7 Drawing Sheets

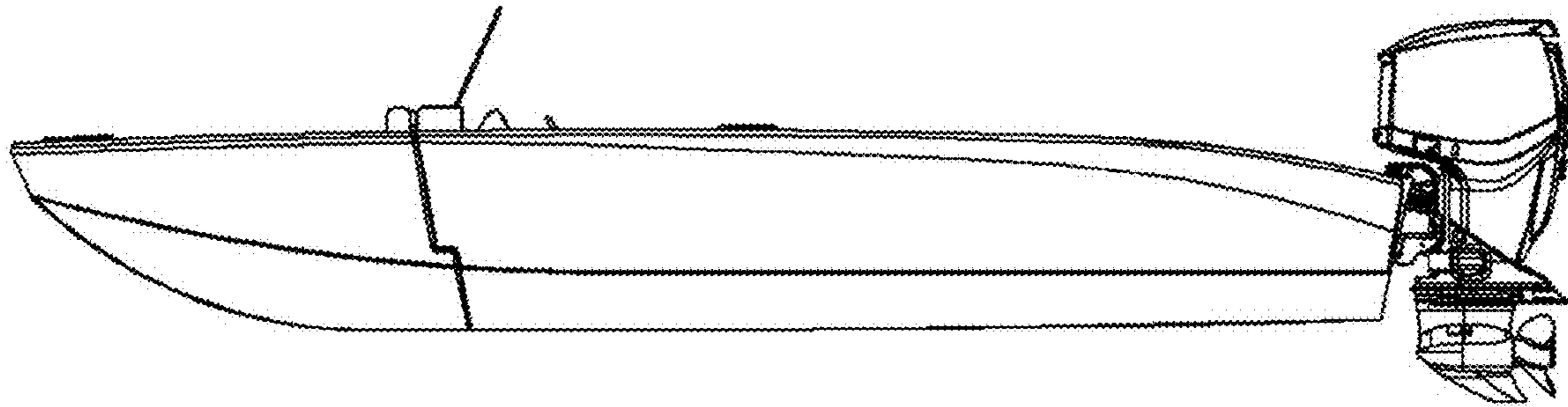




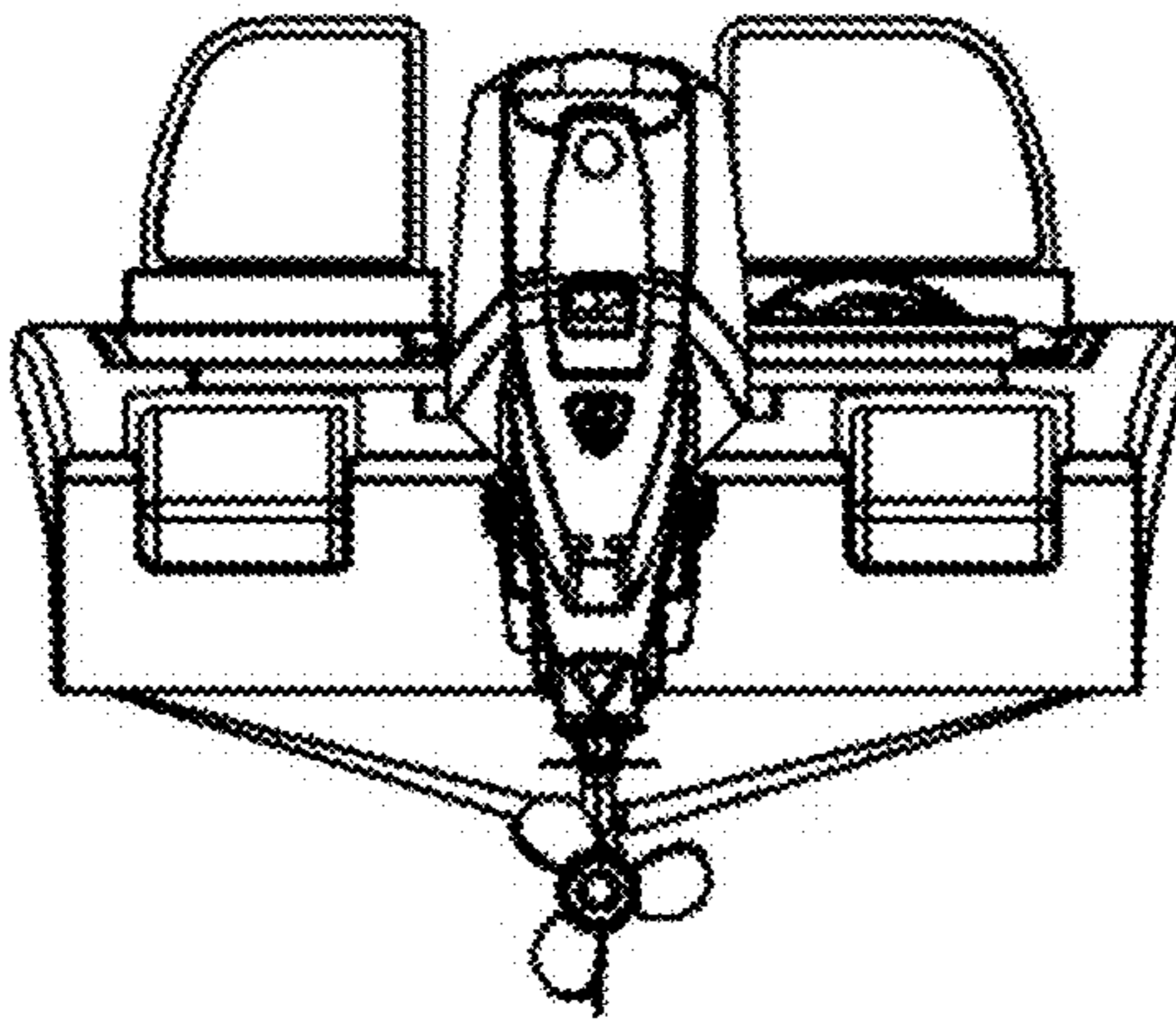
1.2



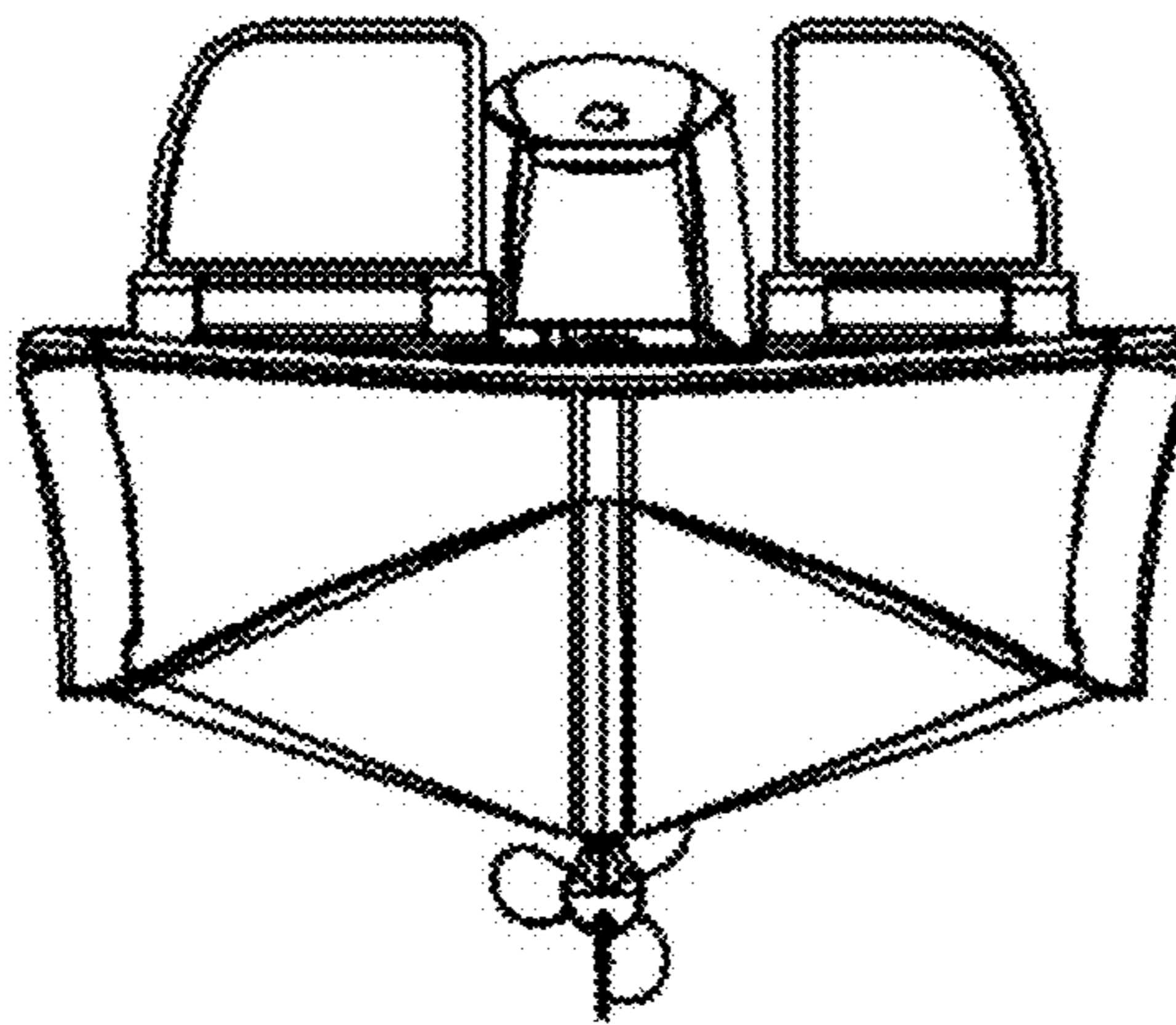
1.3



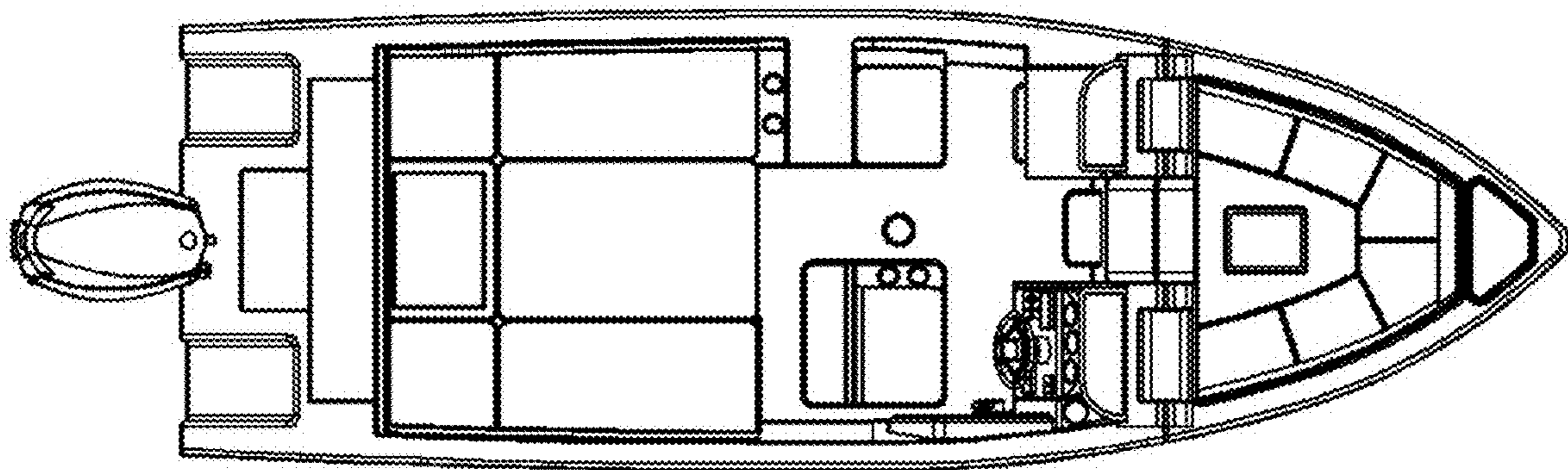
1.4



1.5



1.6



1.7

