



US00D788679S

(12) **United States Design Patent**
Yang et al.

(10) **Patent No.:** **US D788,679 S**

(45) **Date of Patent:** **** Jun. 6, 2017**

(54) **WHEEL RIM**

(71) Applicants: **Paul Yang**, Baldwin Park, CA (US);
David Tran, Baldwin Park, CA (US)

(72) Inventors: **Paul Yang**, Baldwin Park, CA (US);
David Tran, Baldwin Park, CA (US)

(73) Assignees: **David Tran**, Baldwin Park, CA (US);
Paul Yang, Baldwin Park, CA (US);
Michael Chen, Baldwin Park, CA (US);
Billy Chen, Baldwin Park, CA (US);
Donald Giang, Baldwin Park, CA (US);
Wen Wei, Baldwin Park, CA (US)

(**) Term: **15 Years**

(21) Appl. No.: **29/563,911**

(22) Filed: **May 9, 2016**

(51) **LOC (10) Cl.** **12-16**

(52) **U.S. Cl.**
USPC **D12/211**

(58) **Field of Classification Search**
USPC D12/204–213
CPC B60B 7/00; B60B 7/02; B60B 7/04; B60B
7/01; B60B 7/06; B60B 3/02; B60B 3/04;
B60B 3/06; B60B 3/10; B60B 1/00;
B60B 1/08; B60B 1/10; B60B 1/12
See application file for complete search history.

(56) **References Cited**

U.S. PATENT DOCUMENTS

D235,430 S * 6/1975 Scott D12/205
D235,431 S * 6/1975 Scott D12/205

D249,787 S * 10/1978 Tanaka D12/205
D410,618 S * 6/1999 Hussaini D12/211
D474,141 S * 5/2003 Foose D12/211
D542,727 S * 5/2007 Manfredini D12/211
D553,550 S * 10/2007 Tirado D12/211
D670,633 S * 11/2012 Kato D12/211
D703,603 S * 4/2014 Tirado D12/211
D706,199 S * 6/2014 Chung D12/211
D721,631 S * 1/2015 Ferrett D12/211
D740,735 S * 10/2015 Matsumura D12/211

* cited by examiner

Primary Examiner — Stacia Cadmus

(74) *Attorney, Agent, or Firm* — Quickpatents, LLC;
Kevin Prince

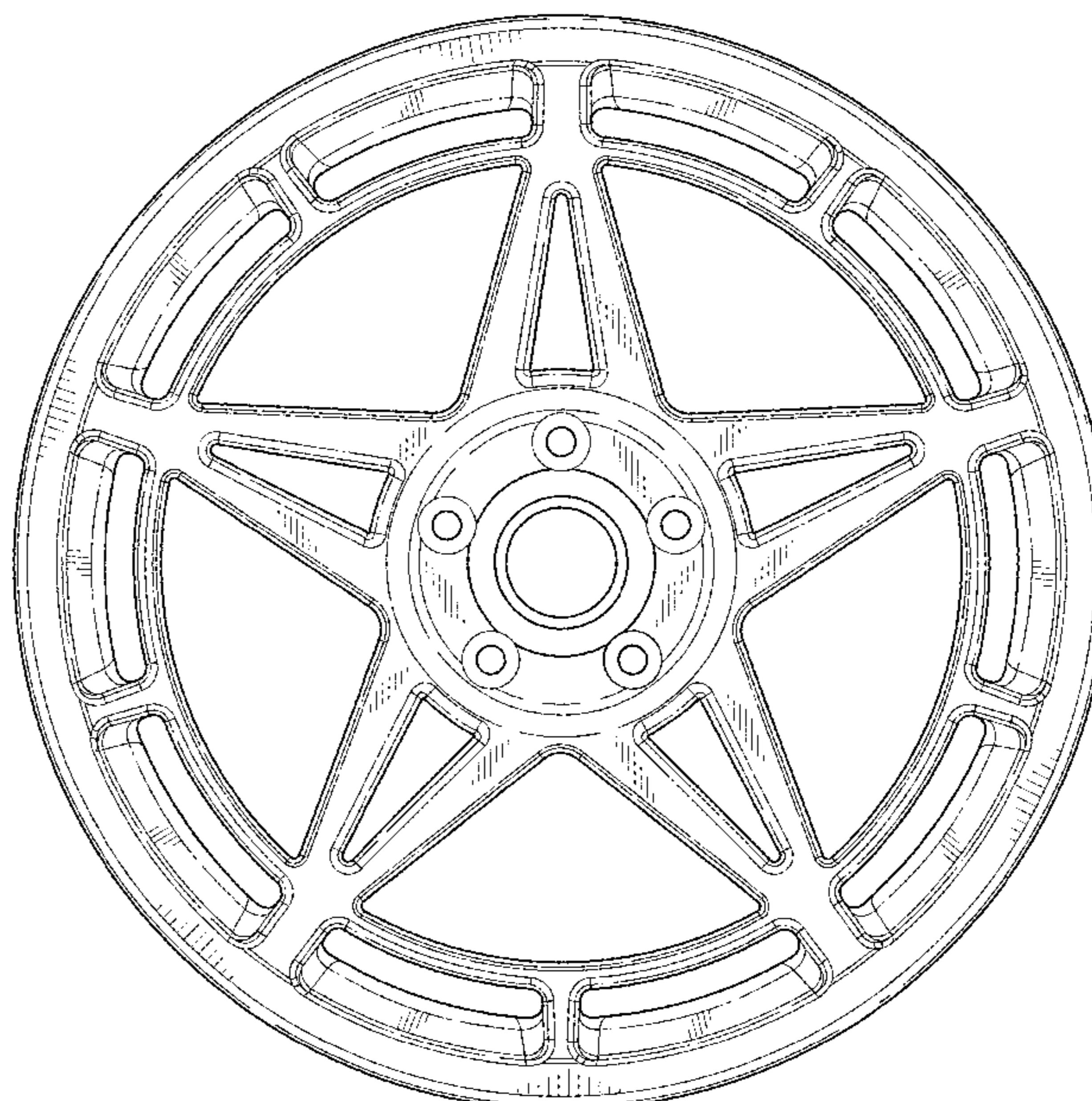
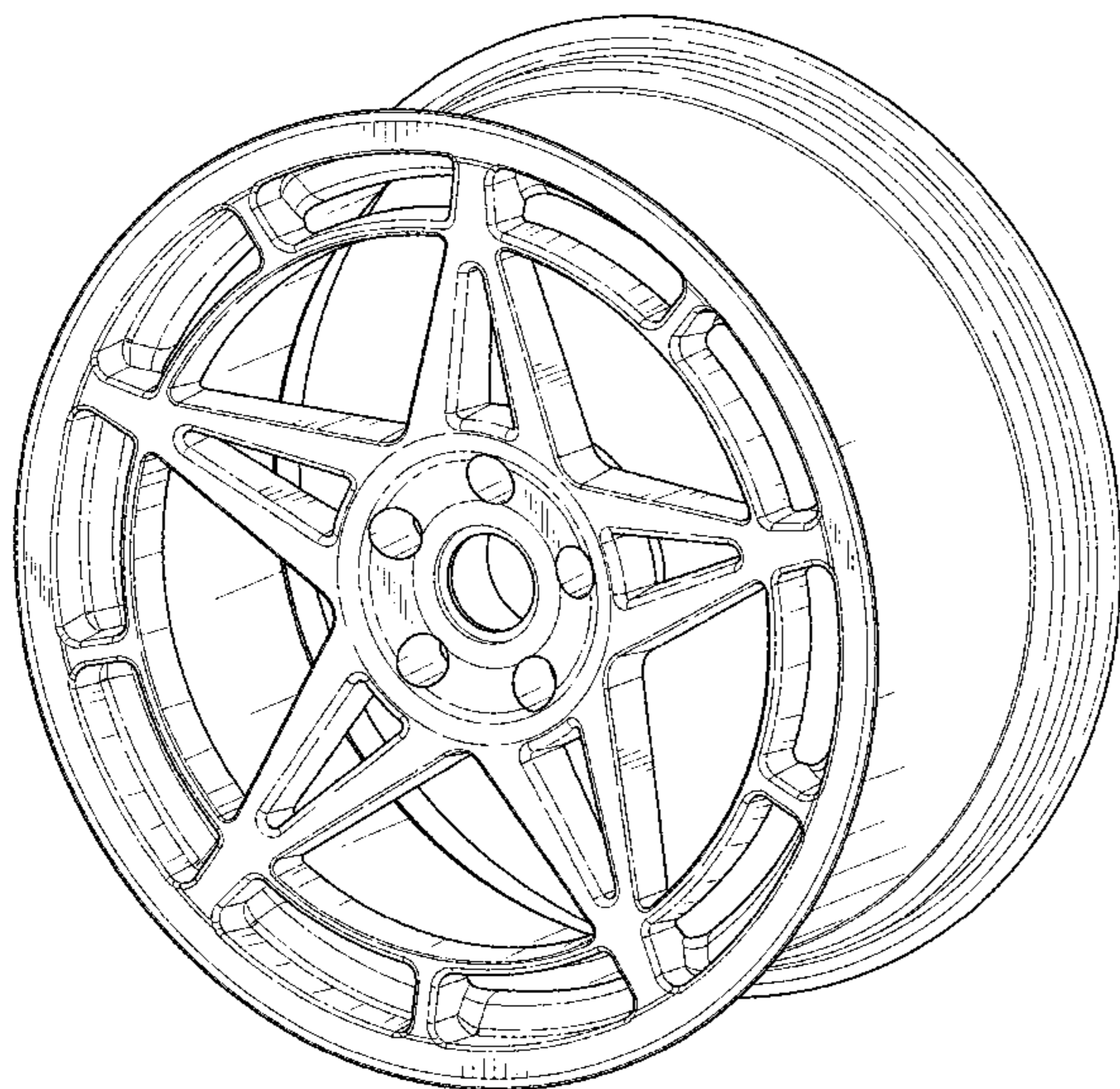
(57) **CLAIM**

We claim the ornamental design for a wheel rim, as shown and described.

DESCRIPTION

FIG. 1 is a perspective view of a wheel rim, showing our new design;
FIG. 2 is an additional perspective view thereof;
FIG. 3 is a front elevational view thereof; and,
FIG. 4 is a left-side elevational view thereof, the right-side elevational view, top plan view, and bottom plan view all being identical thereto.

1 Claim, 4 Drawing Sheets



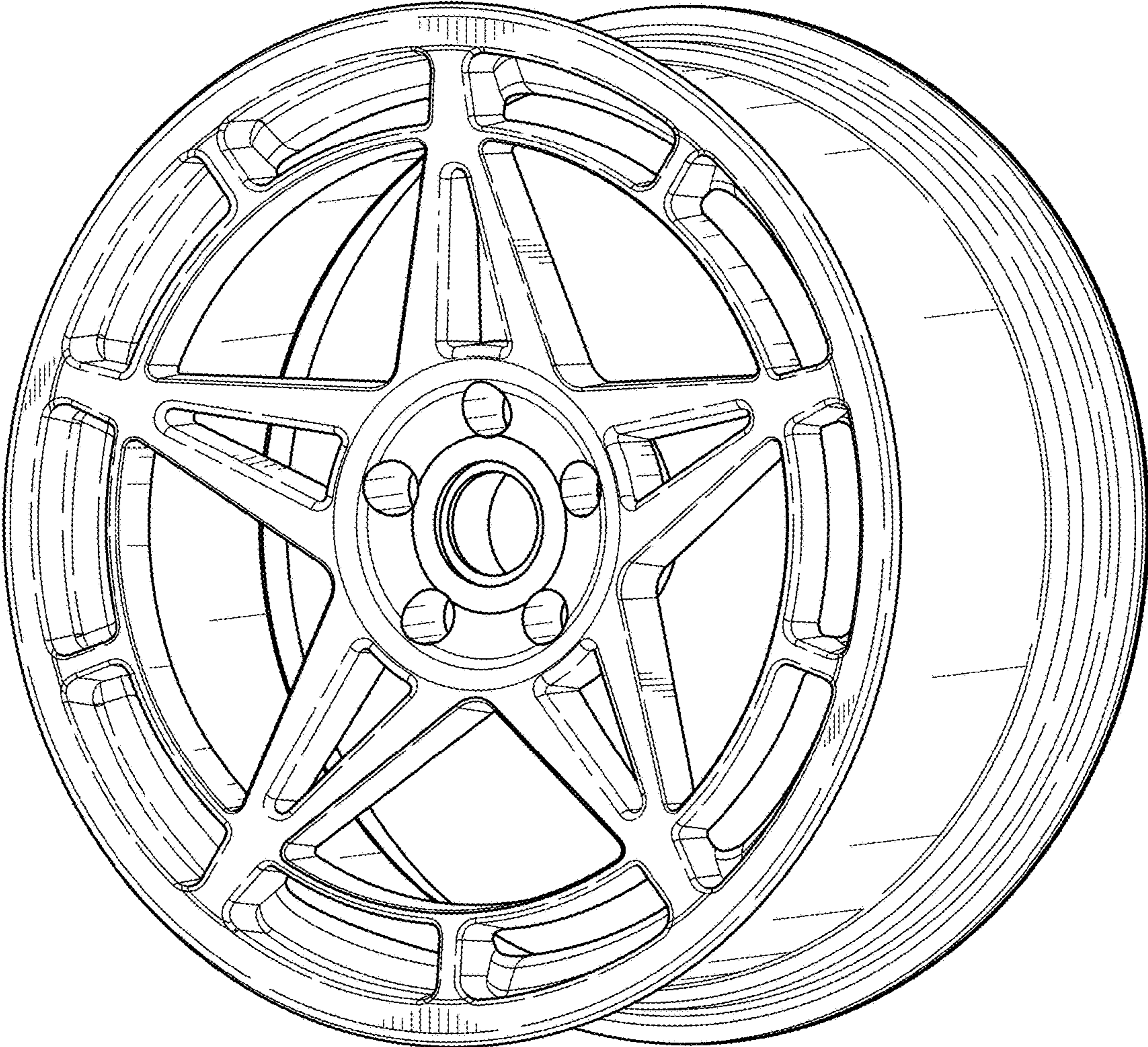


FIG. 1

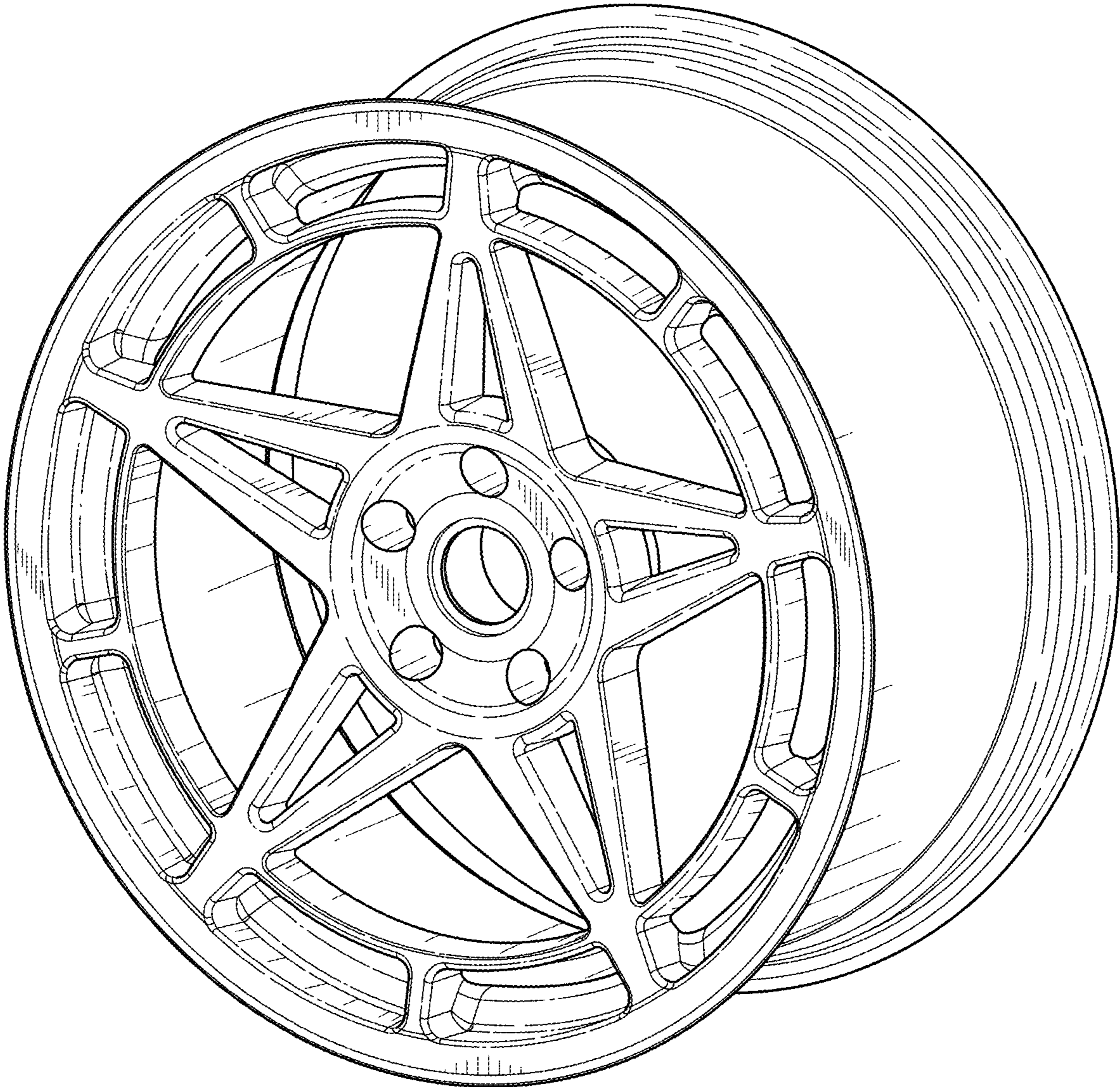


FIG. 2

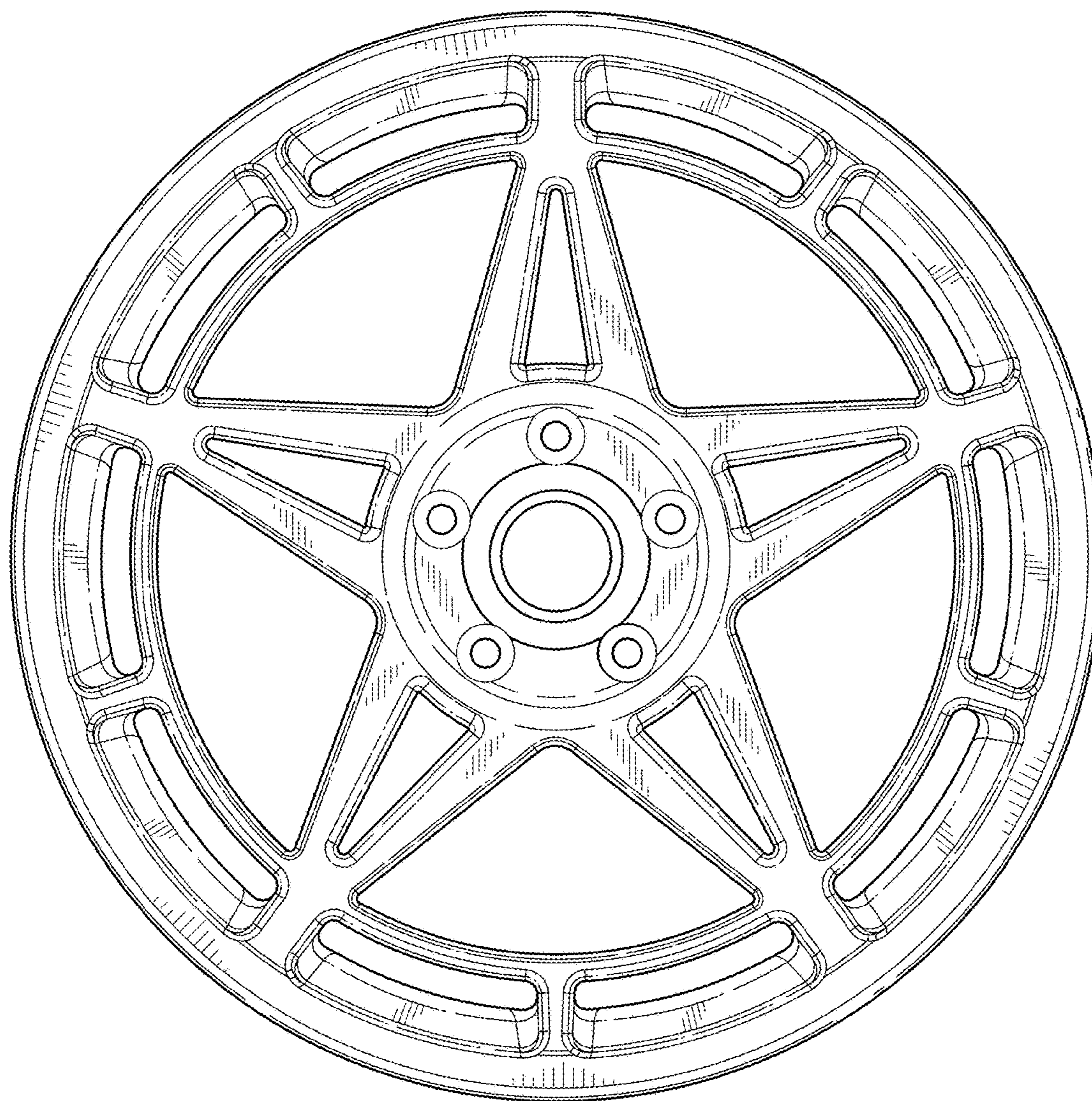


FIG. 3

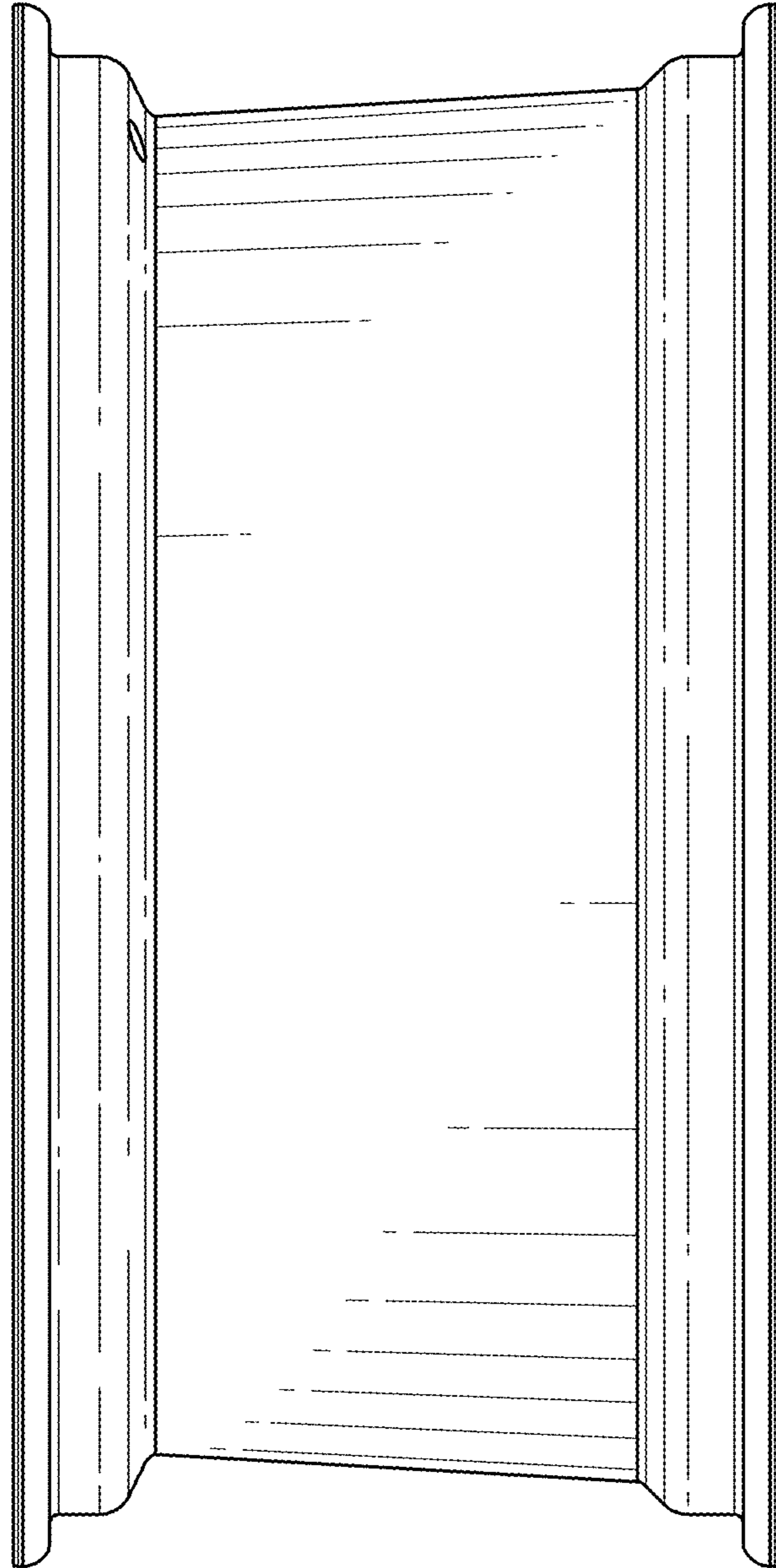


FIG. 4