



US00D788678S

(12) **United States Design Patent**  
**Svensson et al.**

(10) **Patent No.:** **US D788,678 S**

(45) **Date of Patent:** **\*\* Jun. 6, 2017**

(54) **VEHICLE WHEEL**

(71) Applicant: **Ford Global Technologies, LLC,**  
Dearborn, MI (US)

(72) Inventors: **Christopher Svensson,** Chelmsford  
(GB); **Craig S. Metros,** Bloomfield, MI  
(US); **Darrell Paul Behmer,** Novi, MI  
(US); **Eric Stoddard,** Birmingham, MI  
(US)

(73) Assignee: **Ford Global Technologies, LLC,**  
Dearborn, MI (US)

(\*\*) Term: **15 Years**

(21) Appl. No.: **29/549,478**

(22) Filed: **Dec. 22, 2015**

(51) **LOC (10) Cl.** ..... **12-16**

(52) **U.S. Cl.**  
USPC ..... **D12/211**

(58) **Field of Classification Search**  
USPC ..... D12/204–213  
CPC .... B60B 7/00; B60B 7/02; B60B 7/04; B60B  
7/01; B60B 7/06; B60B 3/02; B60B 3/04;  
B60B 3/06; B60B 3/10; B60B 1/00;  
B60B 1/08; B60B 1/10; B60B 1/12

See application file for complete search history.

(56) **References Cited**

**U.S. PATENT DOCUMENTS**

D441,339 S *	5/2001	Hussaini	.....	D12/211
D473,836 S *	4/2003	Laengerer	.....	D12/211
D506,967 S *	7/2005	Kamimura	.....	D12/211
D523,801 S *	6/2006	Madden	.....	D12/211
D527,330 S *	8/2006	Madden	.....	D12/211
D570,275 S *	6/2008	Laengerer	.....	D12/211
D593,020 S *	5/2009	Blasi	.....	D12/211
D617,250 S *	6/2010	Zhao	.....	D12/211
D626,489 S *	11/2010	Laengerer	.....	D12/211

D632,240 S *	2/2011	Szews	.....	D12/211
D657,299 S *	4/2012	Lee	.....	D12/211
D660,765 S	5/2012	Gotschke et al.		
D660,766 S	5/2012	Gotschke et al.		
D660,772 S	5/2012	Gotschke et al.		
D663,673 S *	7/2012	Platto	.....	D12/211
D668,197 S	10/2012	Gotschke et al.		
D671,881 S *	12/2012	Roura	.....	D12/211
D680,487 S *	4/2013	Zhao	.....	D12/211
D682,181 S *	5/2013	Zhao	.....	D12/211
D688,181 S	8/2013	Gotschke et al.		
D688,182 S	8/2013	Gotschke et al.		
D688,183 S	8/2013	Gotschke et al.		
D695,196 S *	12/2013	Zane	.....	D12/211
D707,609 S *	6/2014	Curtis	.....	D12/211
D736,689 S *	8/2015	Lemke	.....	D12/211
D748,559 S *	2/2016	Zhao	.....	D12/211
D749,487 S *	2/2016	Mahoney	.....	D12/211
D754,583 S *	4/2016	Valencia Pollex	.....	D12/211

(Continued)

**FOREIGN PATENT DOCUMENTS**

DE 402012100637.6 2/2015

**OTHER PUBLICATIONS**

Josh Sadlier, 2017 Ford Fusion Teased in New Photos, <http://www.autotrader.com/car-news/2017-ford-fusion-teased-in-new-photos-238624> Apr. 2015.

(Continued)

*Primary Examiner* — Stacia Cadmus

(74) *Attorney, Agent, or Firm* — LeClairRyan

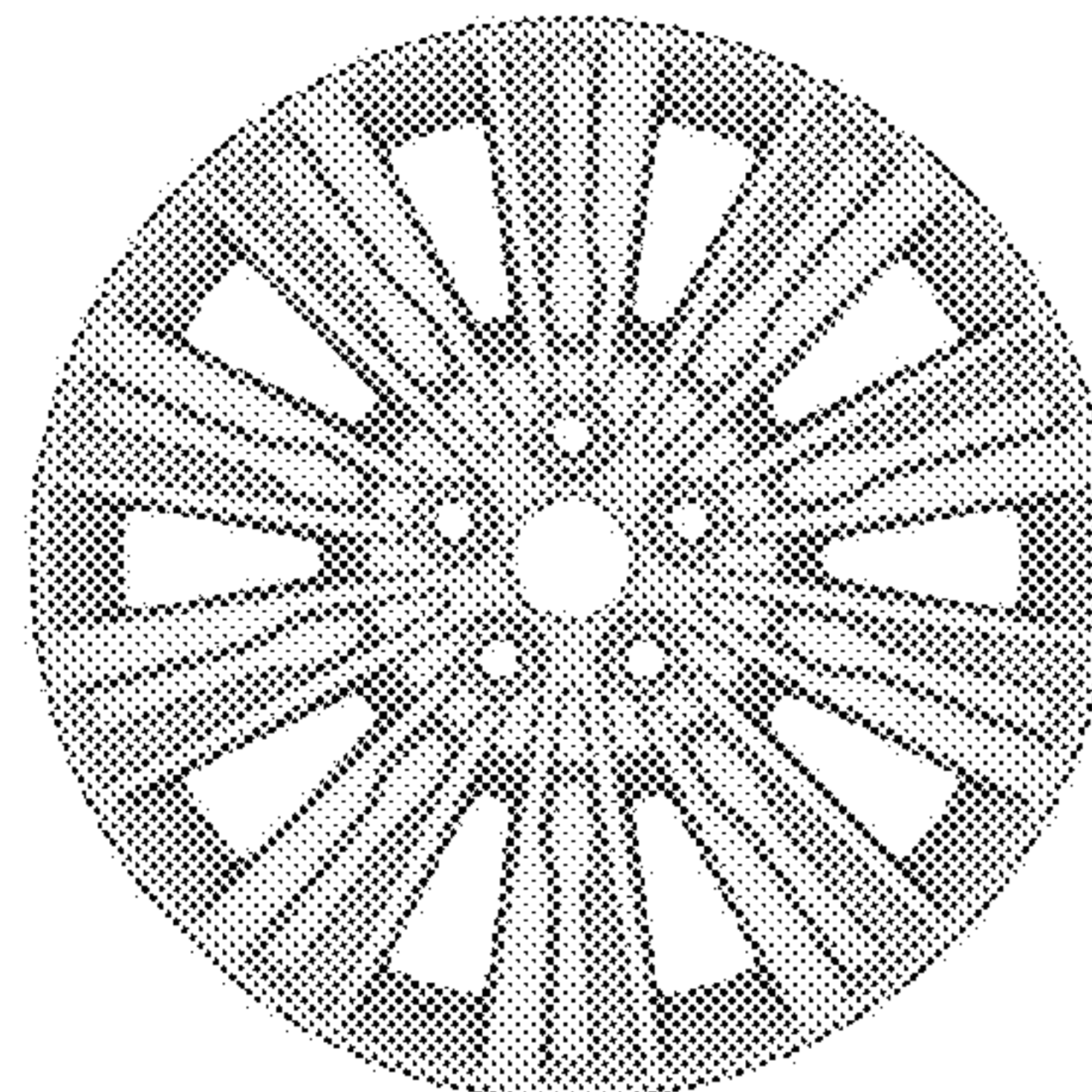
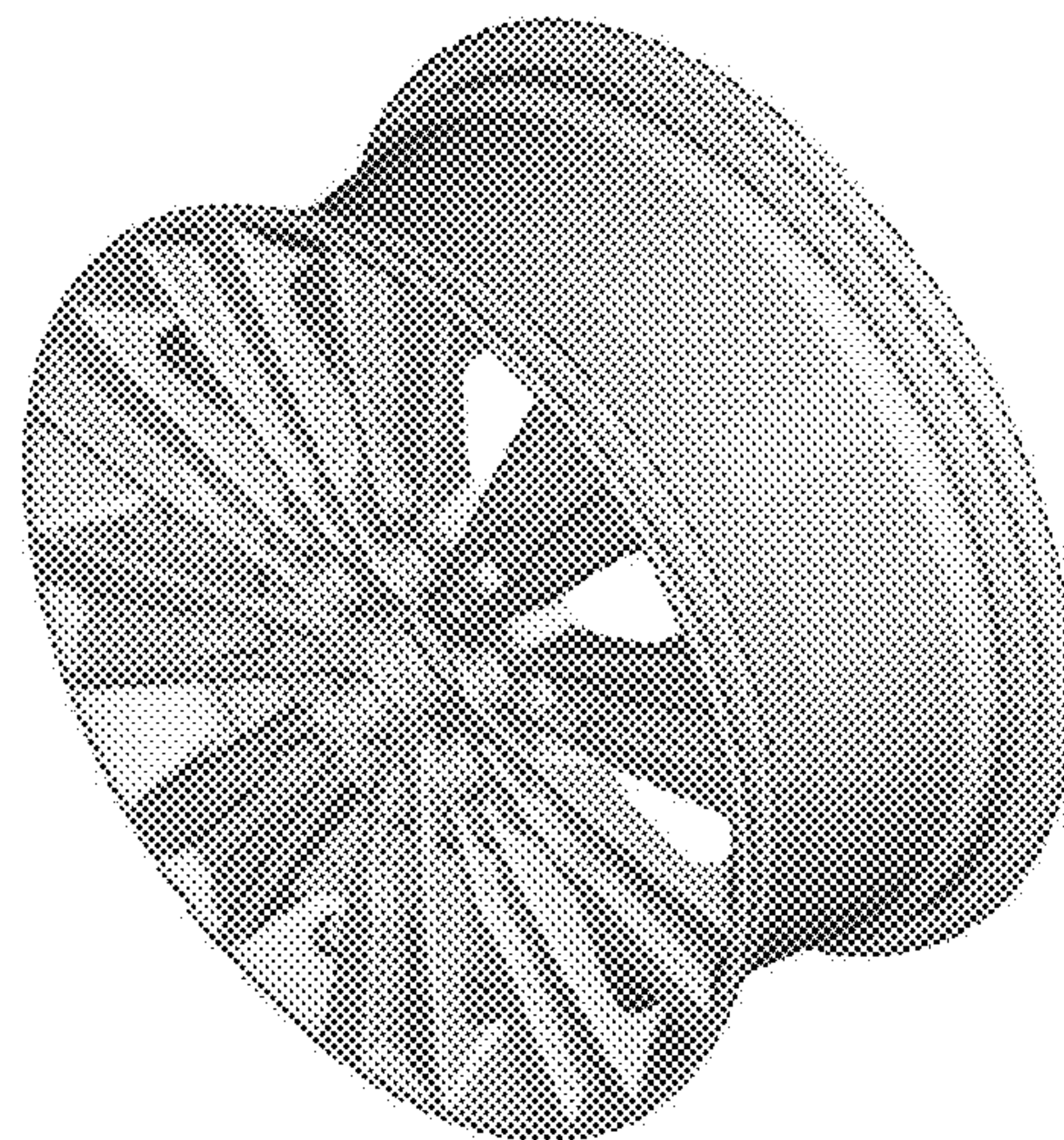
(57) **CLAIM**

The ornamental design for a vehicle wheel, as shown and described.

**DESCRIPTION**

FIG. 1 is a top perspective view of a vehicle wheel; and, FIG. 2 is a front elevational view thereof.

**1 Claim, 2 Drawing Sheets**



(56)

**References Cited**

U.S. PATENT DOCUMENTS

D763,765 S \* 8/2016 Boyd ..... D12/211  
D765,006 S \* 8/2016 Bildhaeuser ..... D12/211  
D765,573 S \* 9/2016 Johnson ..... D12/211  
D769,168 S \* 10/2016 Valencia Pollex ..... D12/211

OTHER PUBLICATIONS

Ciprian Florea, 2017 Ford Fusion St, <http://www.topspeed.com/cars/ford/2017-ford-fusion-st-ar171128.html> Sep. 6, 2015.

Michael Gauthier, 2017 Ford Fusion Facelift Spied in Michigan, <http://www.motor1.com/spy/59710/2017-ford-fusion-facelift-spied-in-michigan> Nov. 19, 2015.

\* cited by examiner



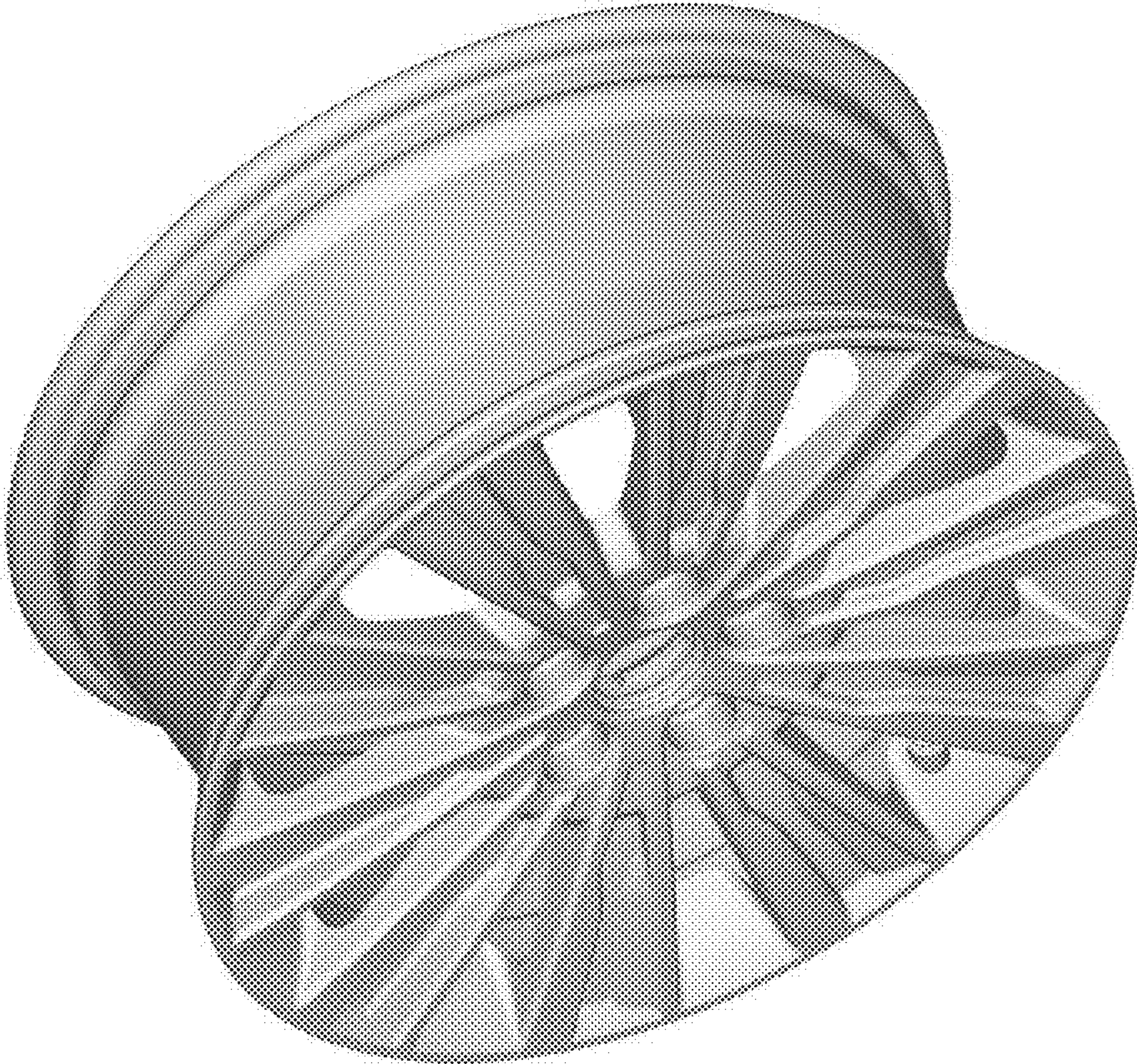


Figure 1



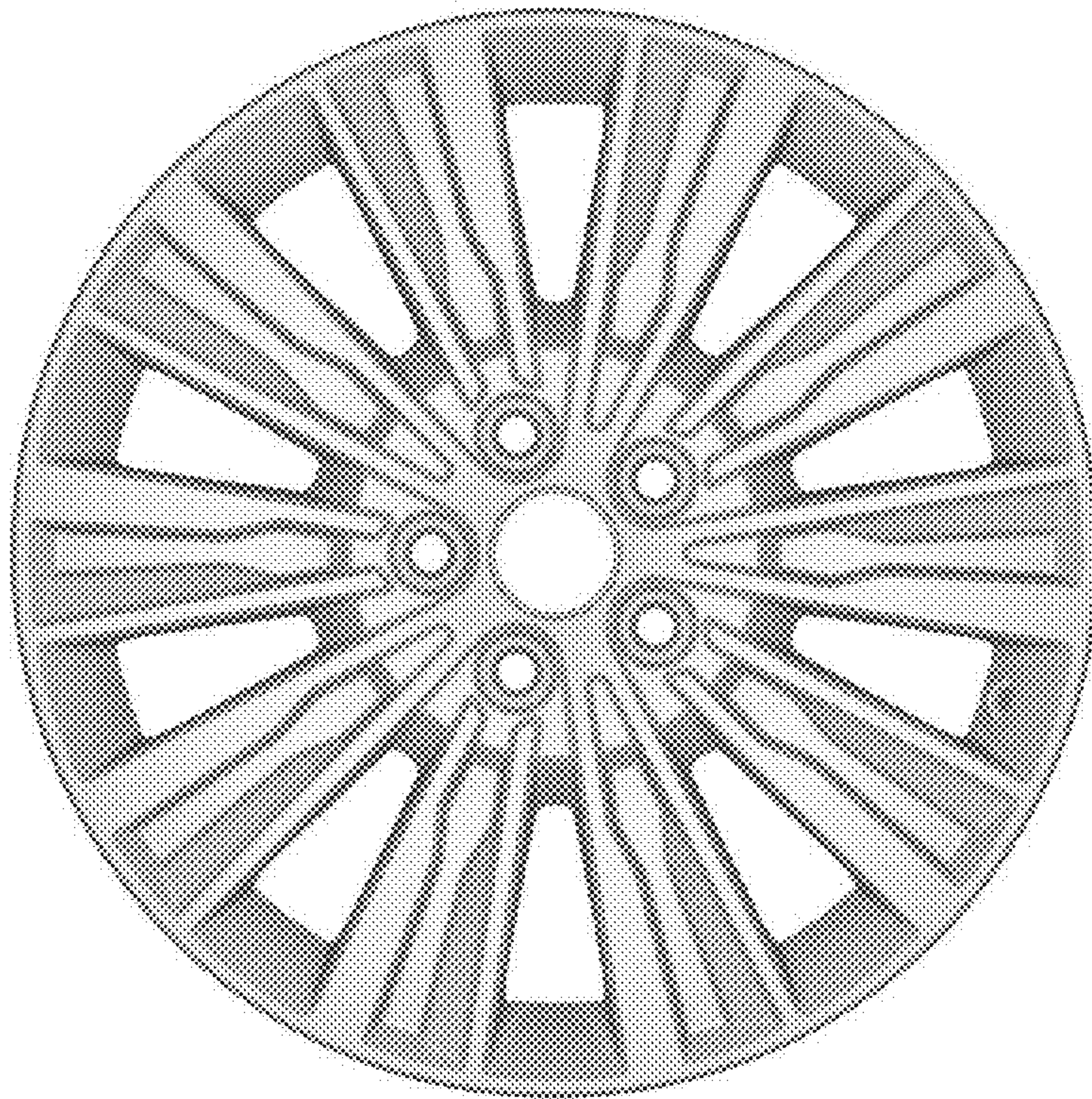


Figure 2