



US00D788670S

(12) **United States Design Patent**
Chung

(10) **Patent No.:** **US D788,670 S**
(45) **Date of Patent:** **** Jun. 6, 2017**

(54) **AUTOMOTIVE WHEEL**

(71) Applicant: **Suny Chung**, Anaheim, CA (US)

(72) Inventor: **Suny Chung**, Anaheim, CA (US)

(**) Term: **14 Years**

(21) Appl. No.: **29/500,060**

(22) Filed: **Aug. 21, 2014**

(51) **LOC (10) Cl.** **12-16**

(52) **U.S. Cl.**
USPC **D12/209**

(58) **Field of Classification Search**
USPC D12/204–213
CPC B60B 7/00; B60B 7/02; B60B 7/04; B60B 7/01; B60B 7/06; B60B 3/02; B60B 3/04; B60B 3/06; B60B 3/10; B60B 1/00; B60B 1/08; B60B 1/10; B60B 1/12
See application file for complete search history.

(56) **References Cited**

U.S. PATENT DOCUMENTS

D238,063 S *	12/1975	Clement	D12/209
D375,478 S *	11/1996	Pfeiffer	D12/209
D488,760 S *	4/2004	Kato	D12/209
D504,650 S *	5/2005	Ishiwata	D12/209
D513,218 S *	12/2005	Fitzgerald	D12/209
D516,486 S *	3/2006	Tirado	D12/209
D609,622 S *	2/2010	Rider	D12/209
D678,158 S *	3/2013	Wang	D12/209

D700,668 S *	3/2014	Flick	D12/209
D702,171 S *	4/2014	Chen	D12/209
D711,304 S *	8/2014	Chung	D12/209
D726,622 S *	4/2015	Vena	D12/209
D733,631 S *	7/2015	Dionisopoulos	D12/204

* cited by examiner

Primary Examiner — Stacia Cadmus

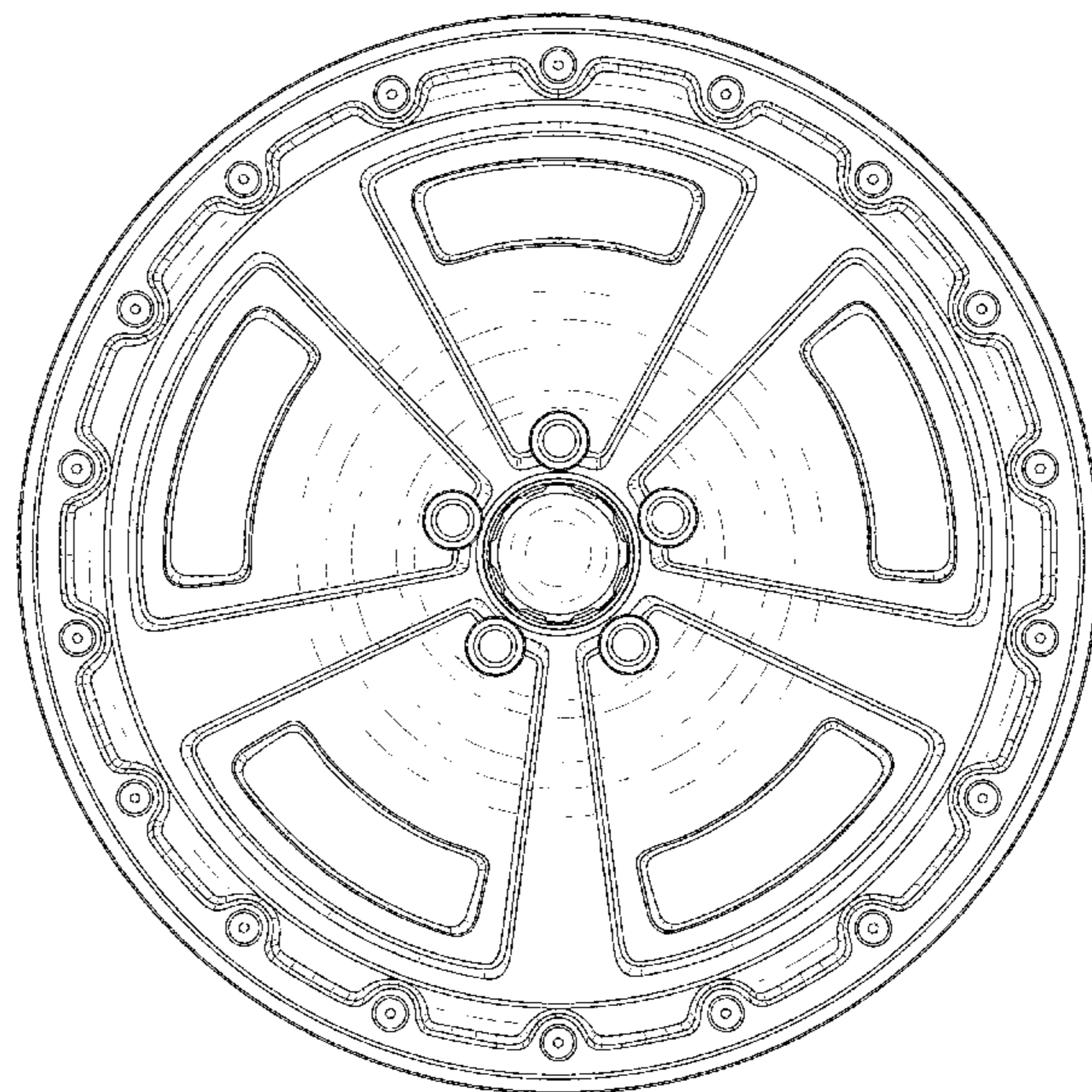
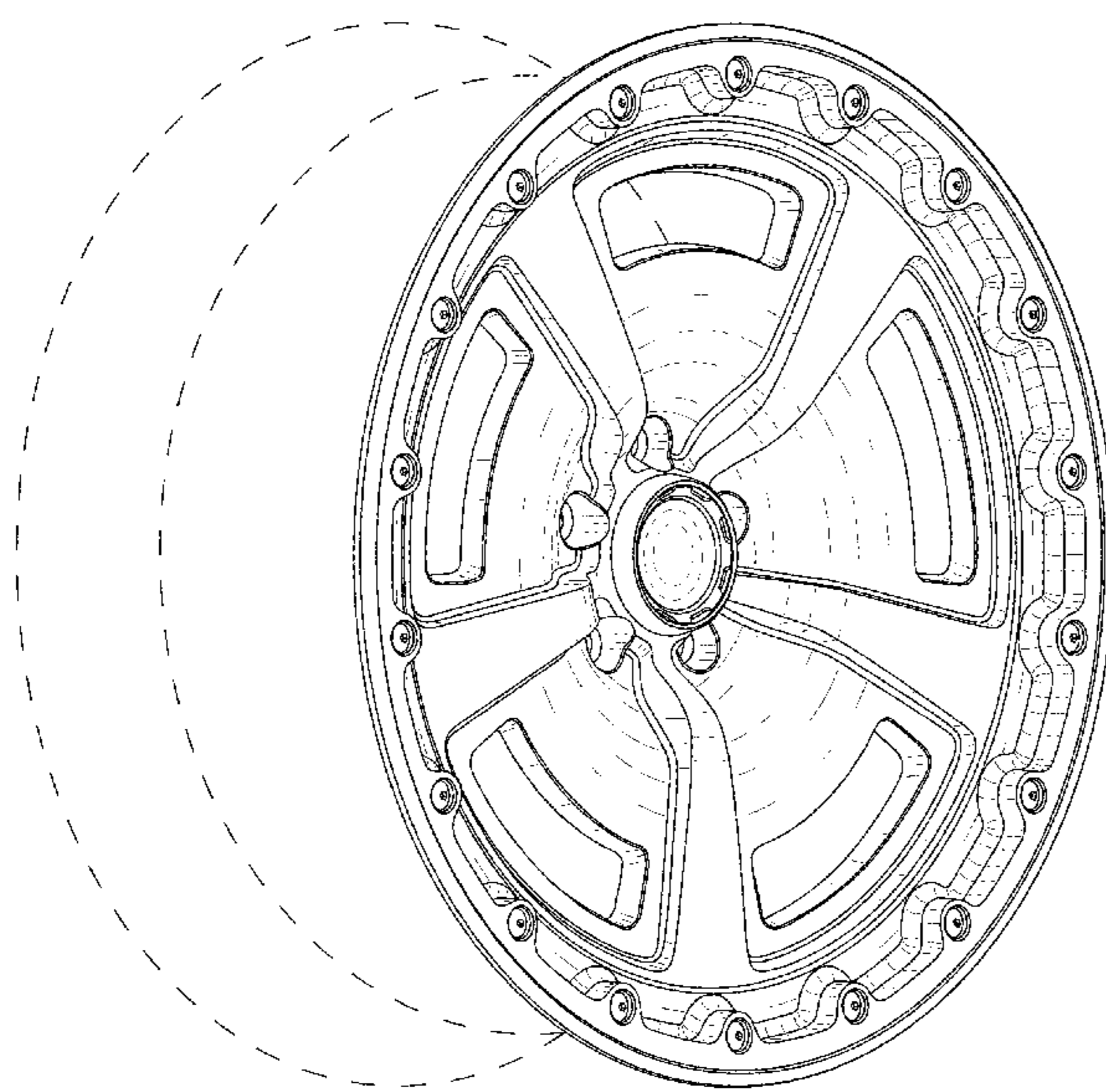
(57) **CLAIM**

The ornamental design for an automotive wheel, as shown and described.

DESCRIPTION

FIG. 1 is a perspective view of an automotive wheel, showing my new design;
 FIG. 2 is a front view thereof.
 FIG. 3 is a perspective view of a second embodiment of an automotive wheel, showing my new design;
 FIG. 4 is a front view of FIG. 3;
 FIG. 5 is a perspective view of a third embodiment of an automotive wheel, showing my new design;
 FIG. 6 is a front view of FIG. 5;
 FIG. 7 is a perspective view of a fourth embodiment of an automotive wheel, showing my new design;
 FIG. 8 is a front view of FIG. 7; and
 FIG. 9 is an exploded view of FIG. 5.
 The broken line showing of the rear portion of the wheel is included for the purpose of illustrating environment and forms no part of the claimed design.

1 Claim, 9 Drawing Sheets



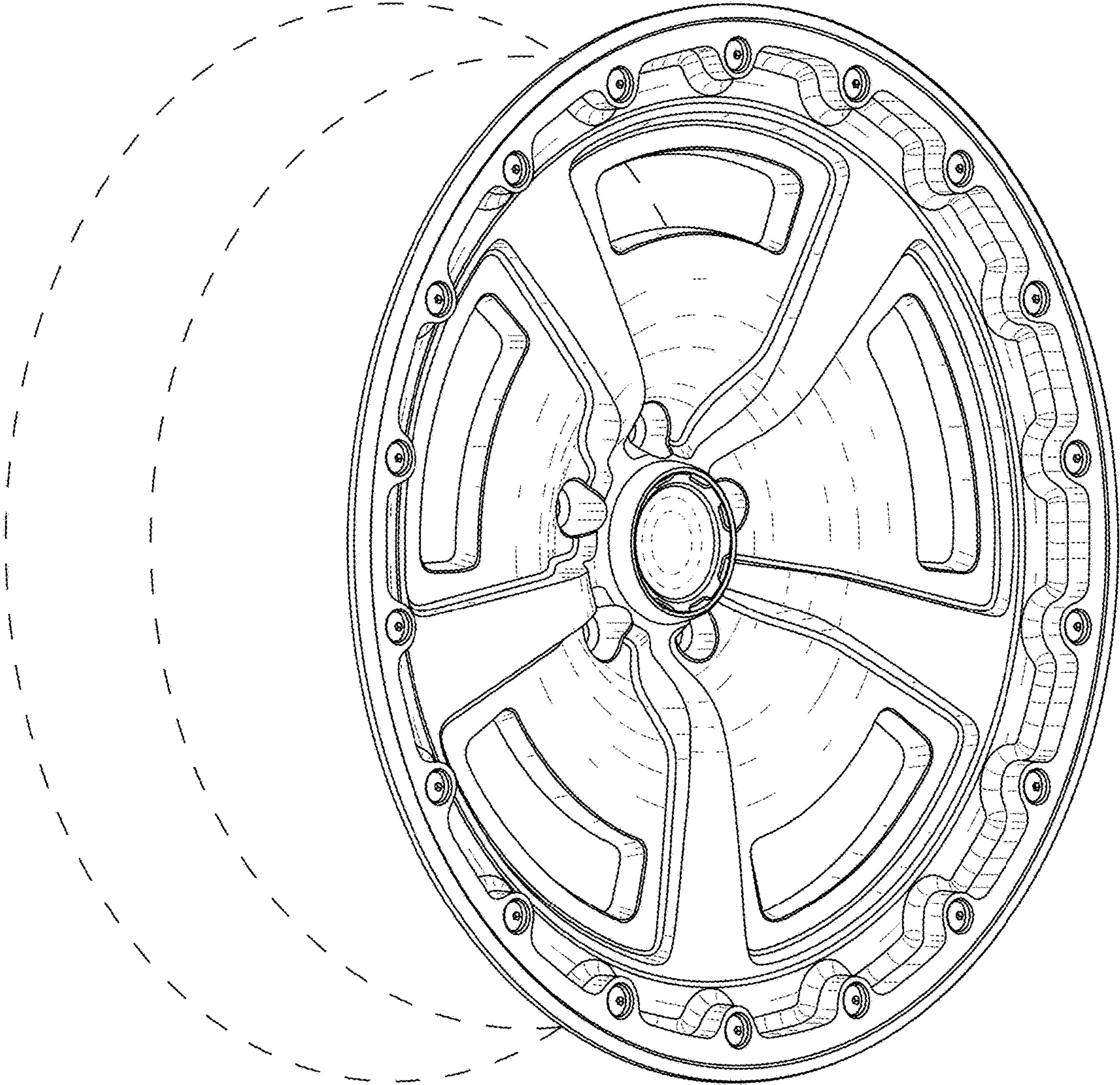


FIGURE 1

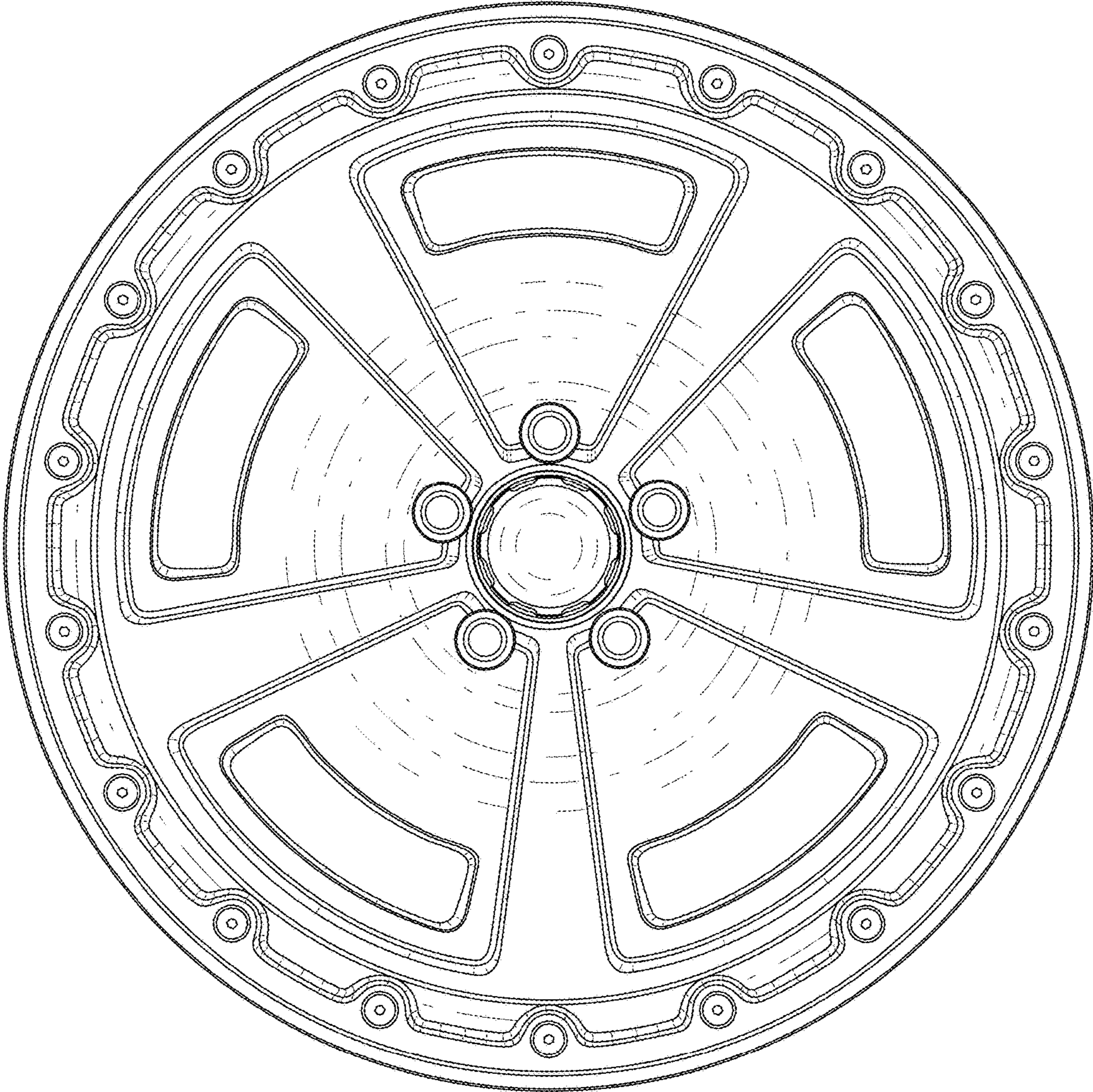


FIGURE 2

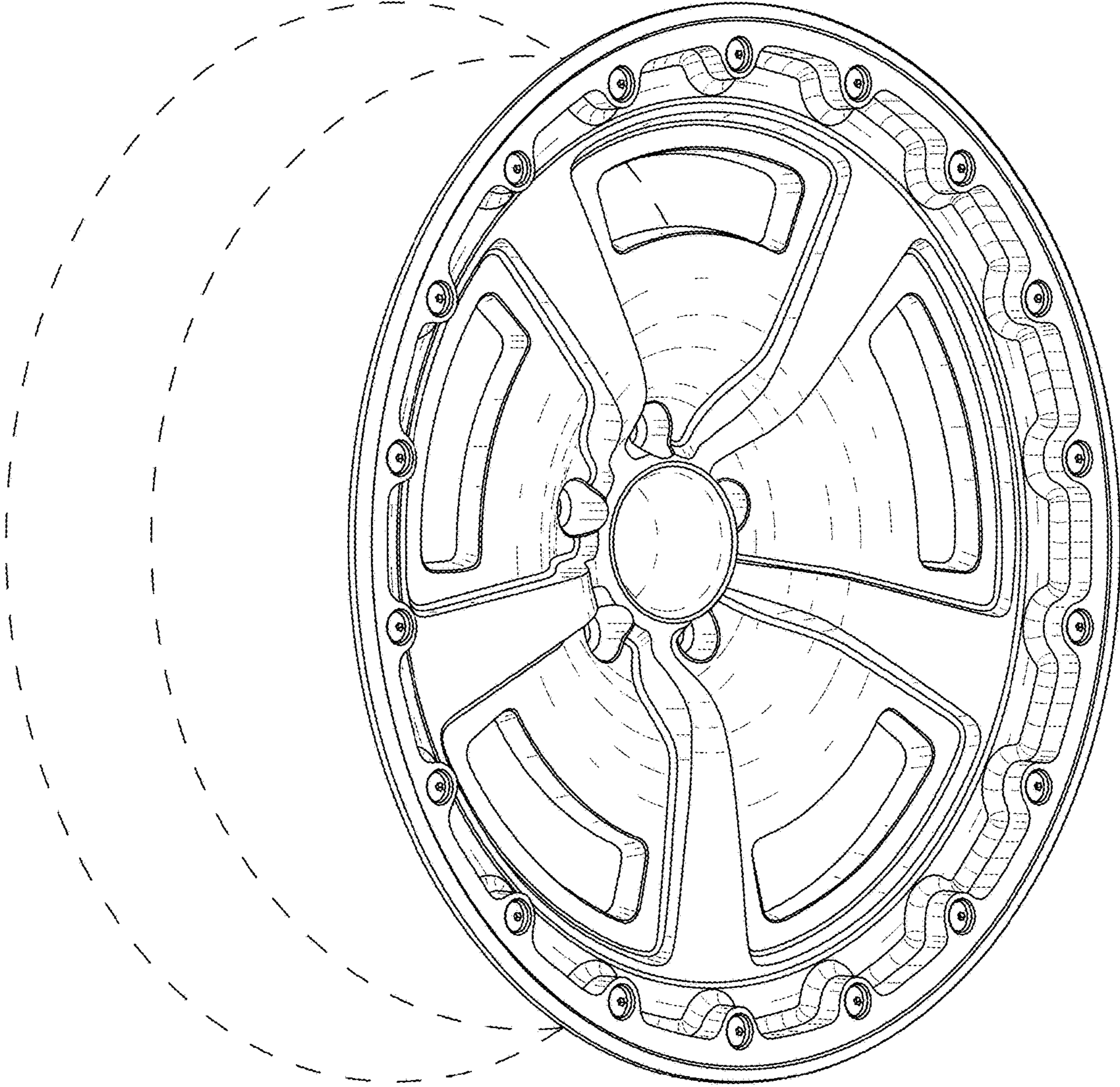


FIGURE 3

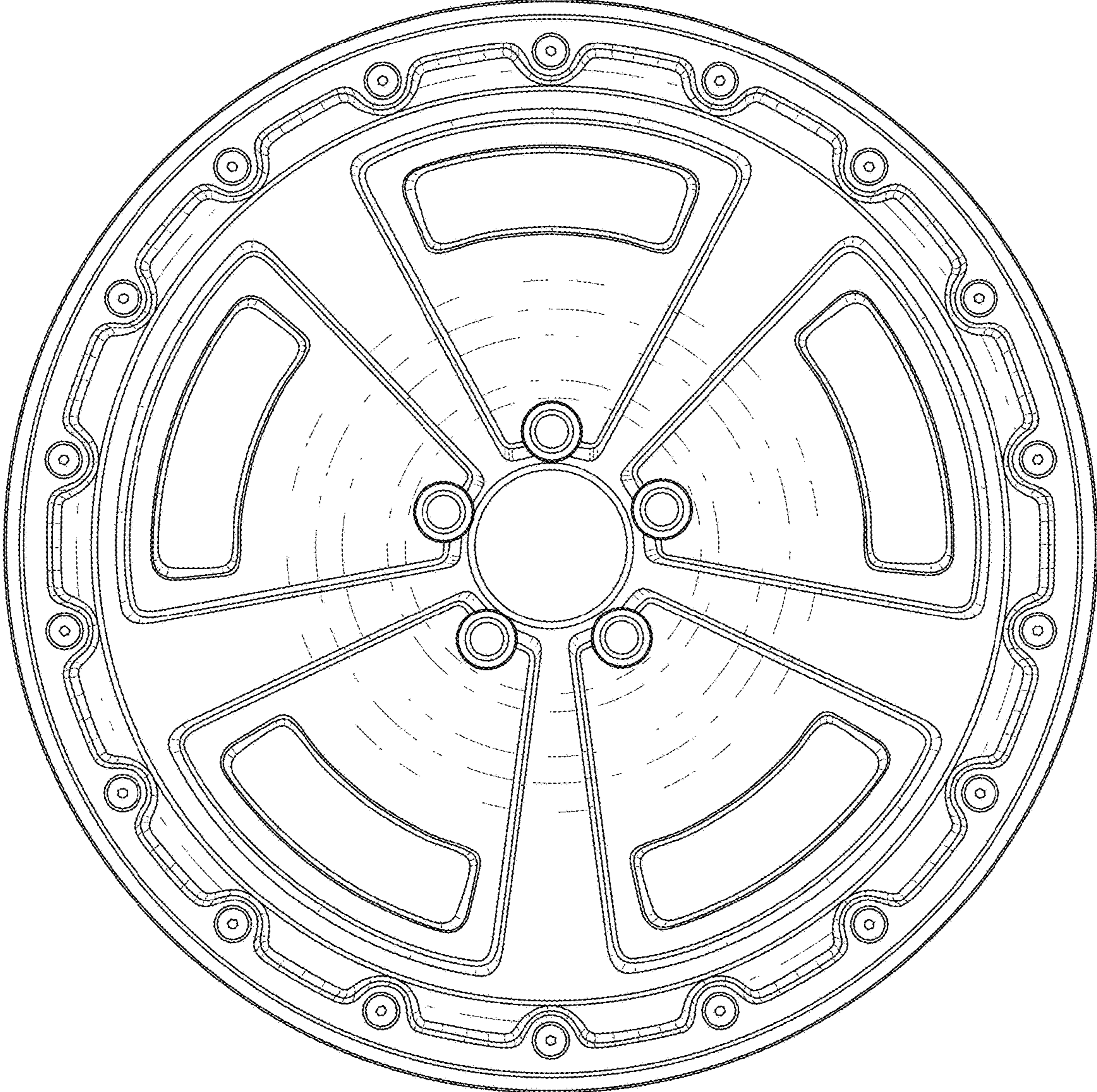


FIGURE 4

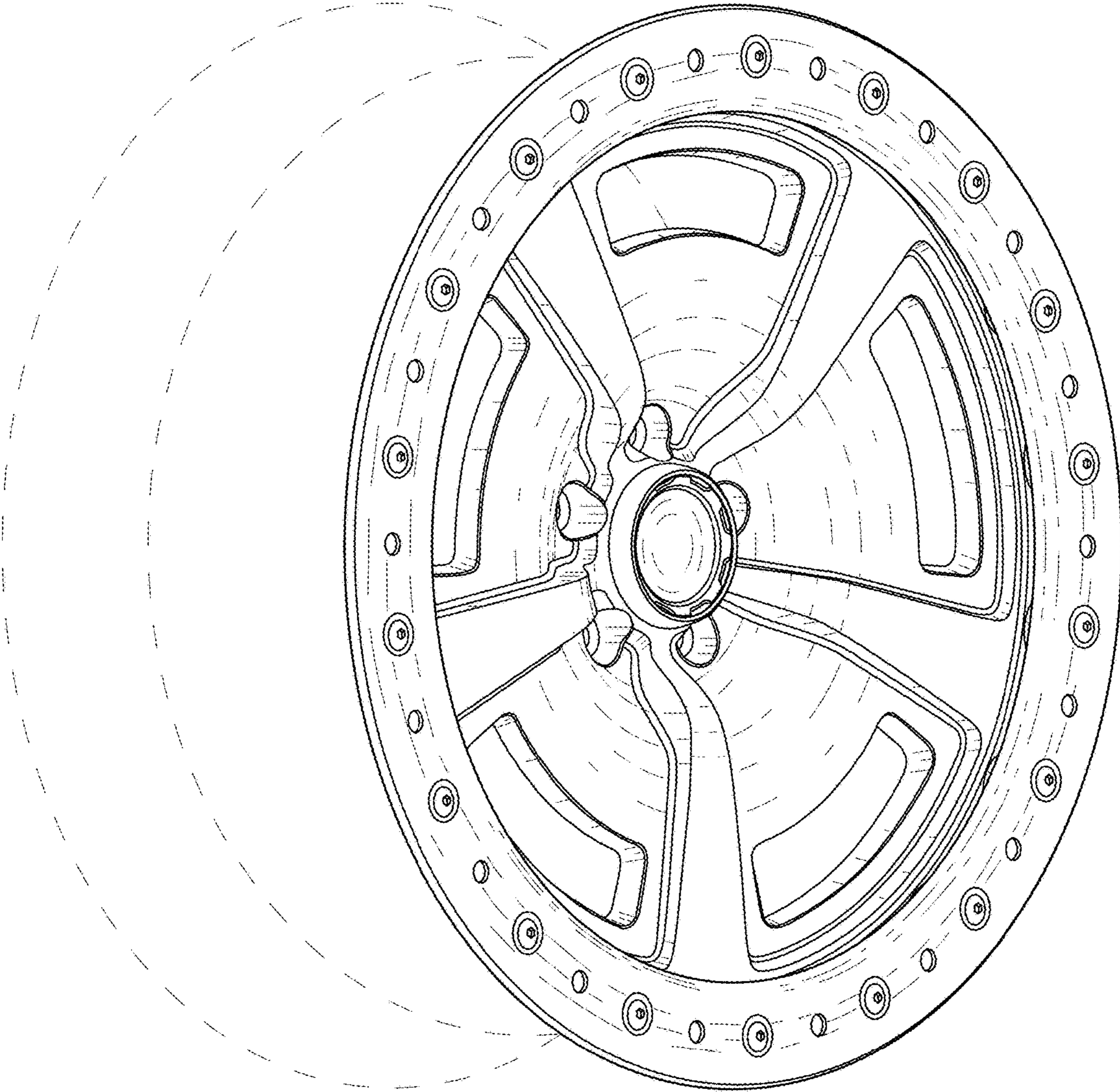


FIGURE 5

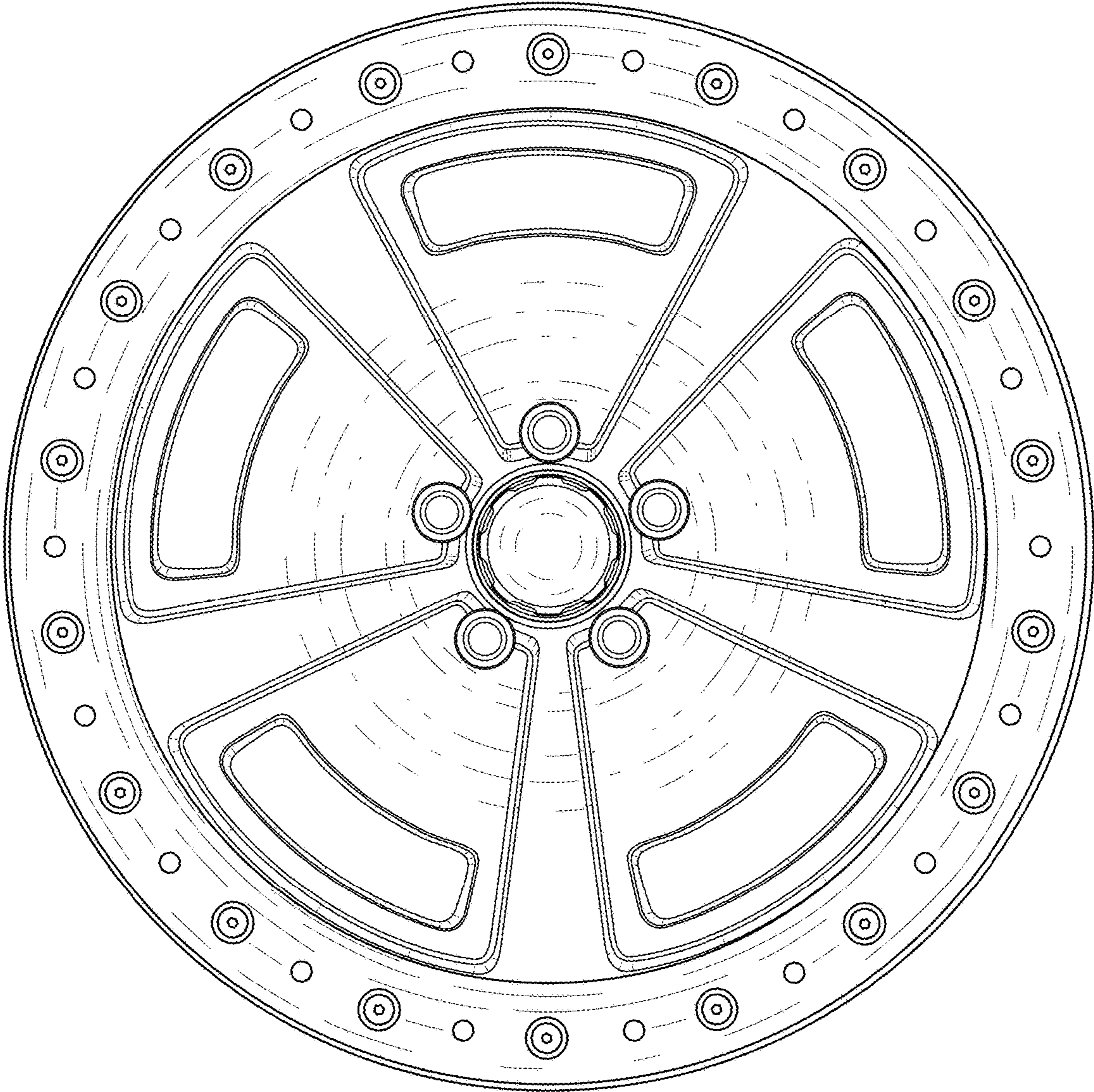


FIGURE 6

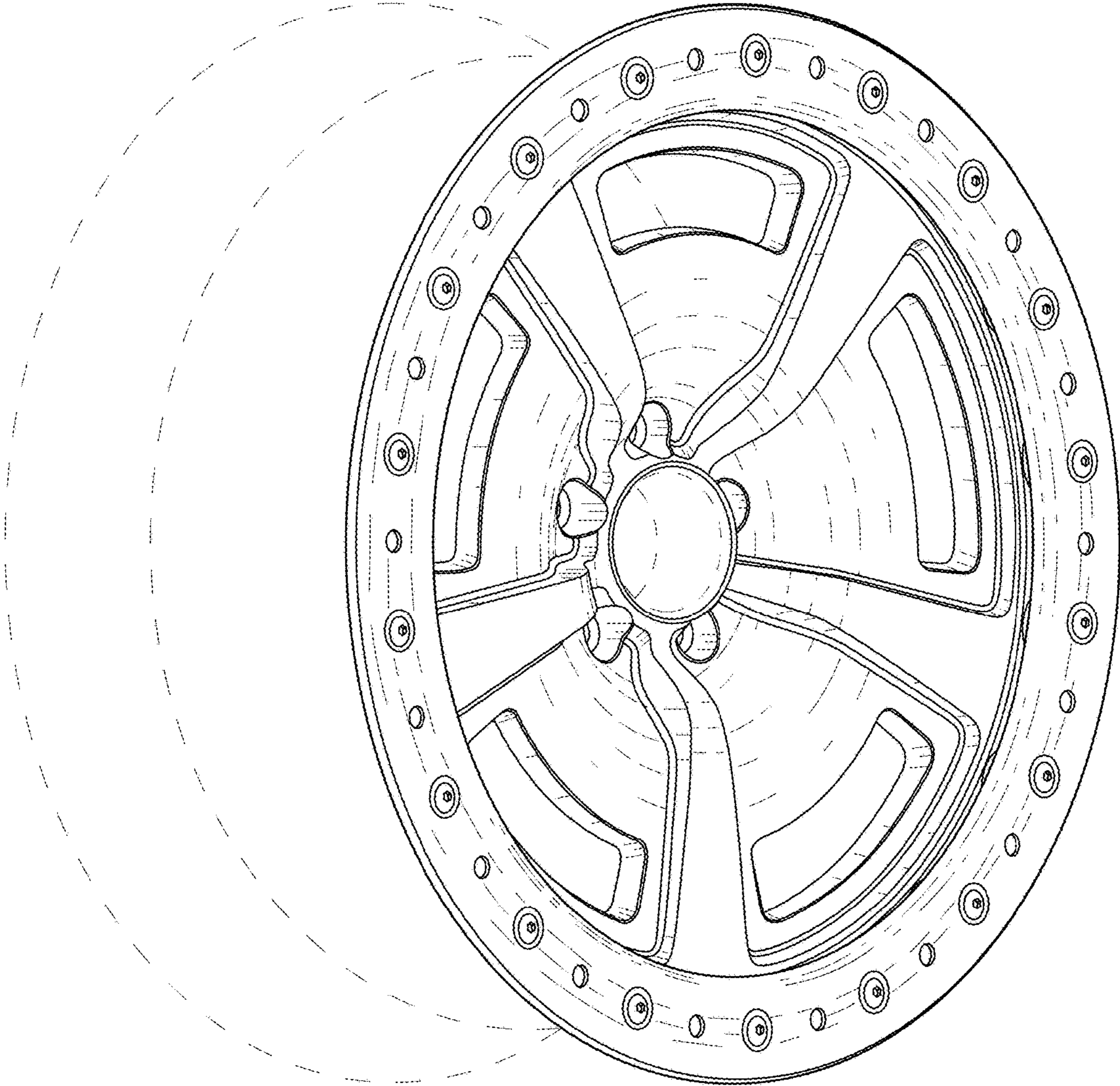


FIGURE 7

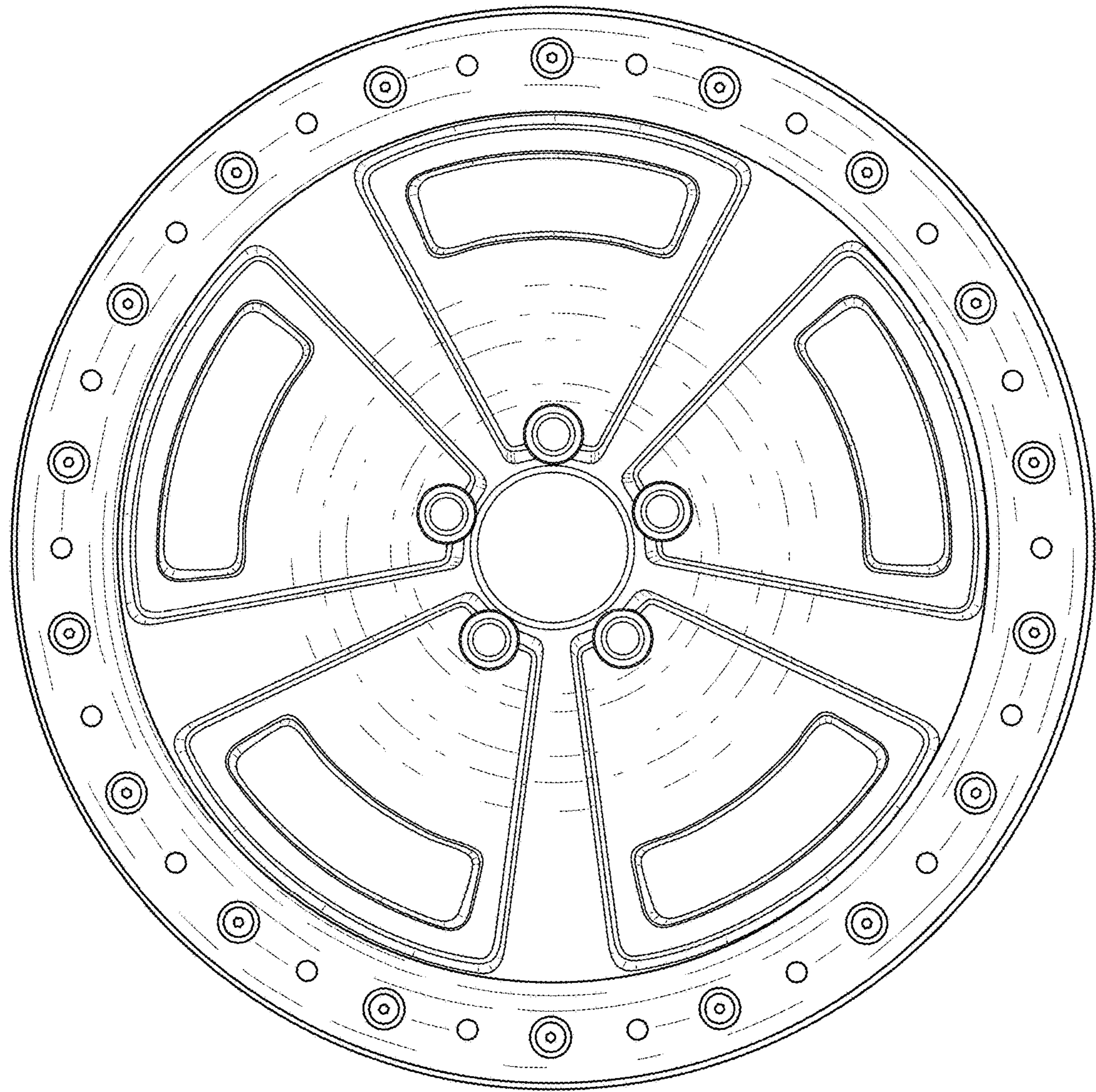


FIGURE 8

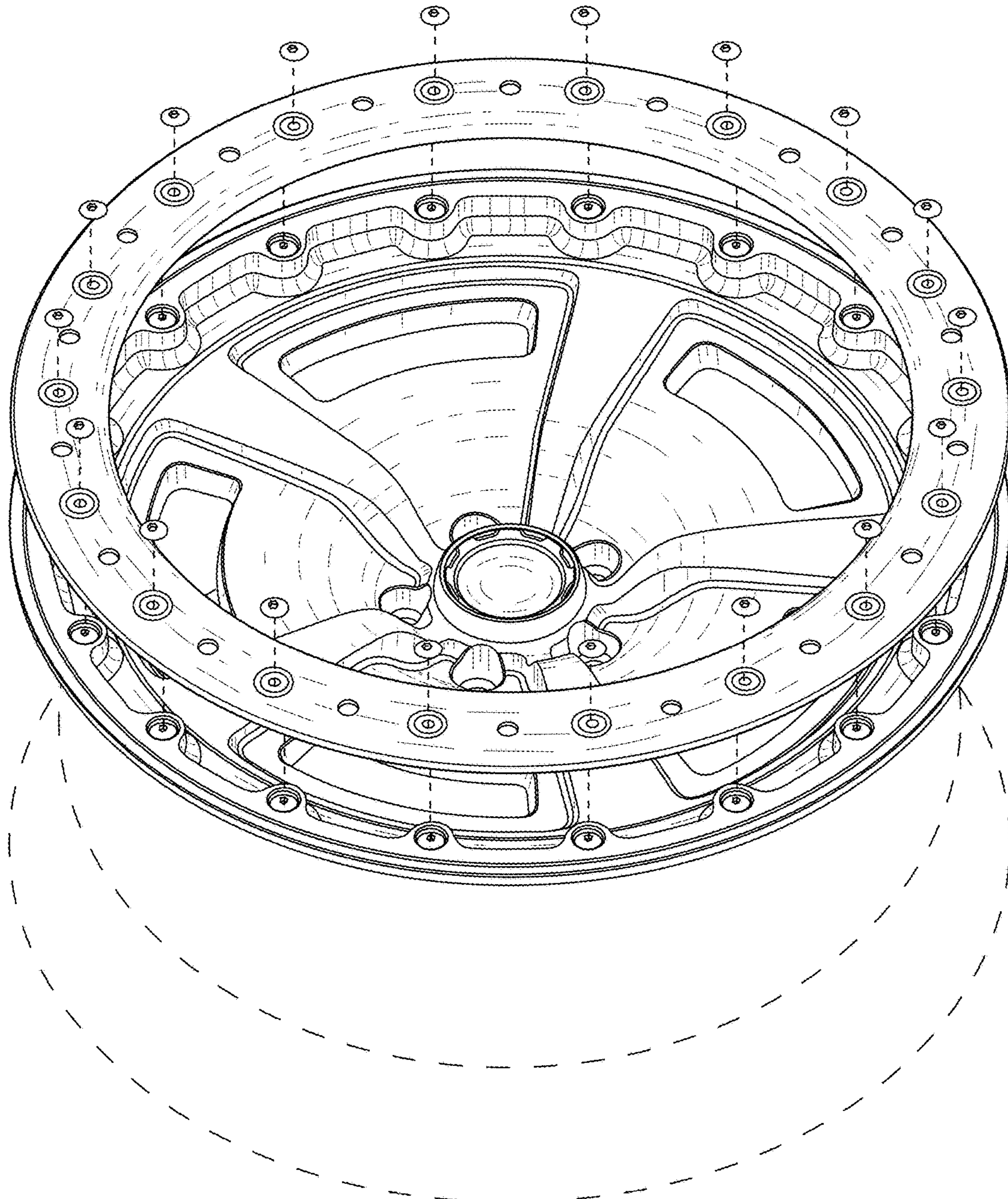


FIGURE 9