



US00D788669S

(12) **United States Design Patent**
Guo

(10) **Patent No.:** **US D788,669 S**

(45) **Date of Patent:** **** Jun. 6, 2017**

- (54) **STEP FOR ATTACHMENT TO LAND VEHICLES**
- (71) Applicant: **Fu Guo**, Vancouver (CA)
- (72) Inventor: **Fu Guo**, Vancouver (CA)
- (**) Term: **15 Years**
- (21) Appl. No.: **29/548,589**
- (22) Filed: **Dec. 15, 2015**
- (51) **LOC (10) Cl.** **12-16**
- (52) **U.S. Cl.**
USPC **D12/203**
- (58) **Field of Classification Search**
USPC D12/203, 169, 92, 98, 89, 163, 164, 196,
D12/216, 125; D25/62, 63, 68, 69, 156,
D25/64, 65
CPC B60R 3/002; B60R 3/02; B60R 3/005;
B60R 3/00; B60R 3/007
See application file for complete search history.

- D662,867 S * 7/2012 Neal D12/203
- D695,665 S * 12/2013 Masanek, Jr. D12/203
- 8,684,139 B2 * 4/2014 Leng A47C 12/00
182/129
- D713,772 S * 9/2014 Ziaylek D12/203
- D714,703 S * 10/2014 Masanek, Jr. B60D 1/36
D12/203
- 8,851,495 B1 * 10/2014 Masanek, Jr. B60R 3/00
280/163
- D723,984 S * 3/2015 Anderson D12/203
- D723,985 S * 3/2015 Johnson D12/203
- 9,145,035 B2 * 9/2015 Masanek, Jr. B60D 1/243
- D742,798 S * 11/2015 Wegener D12/203
- D766,796 S * 9/2016 Huffman D12/203

* cited by examiner

Primary Examiner — George D. Kirschbaum

Assistant Examiner — Clese Moore, Jr.

(74) *Attorney, Agent, or Firm* — Michael D. Eisenberg

(57) **CLAIM**

The ornamental design for a step for attachment to land vehicles, as shown and described.

(56) **References Cited**

U.S. PATENT DOCUMENTS

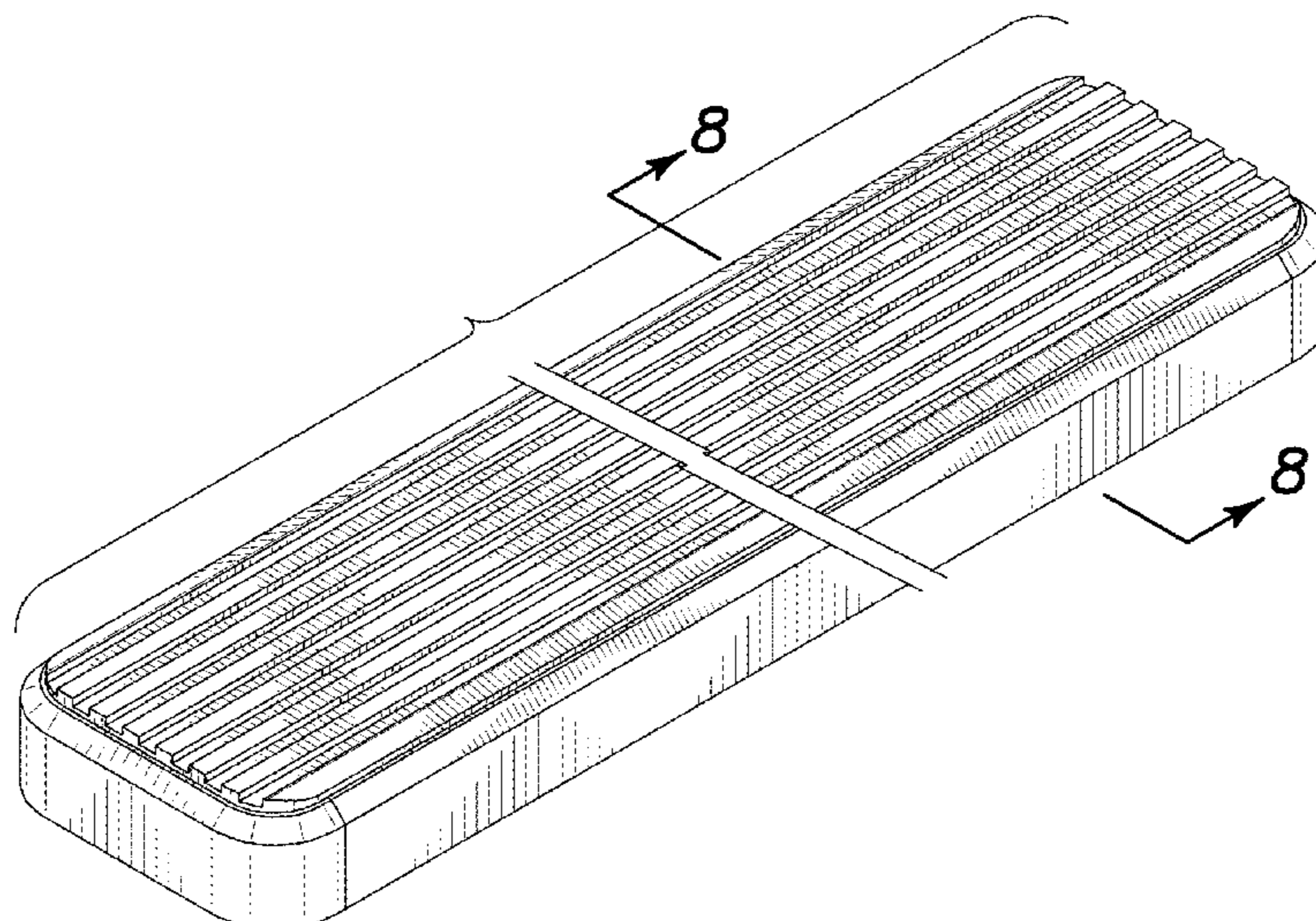
- 4,947,961 A * 8/1990 Dudley B60R 3/007
182/150
- 5,007,654 A * 4/1991 Sauber B60R 3/02
182/89
- D384,020 S * 9/1997 Snyder D12/203
- D397,979 S * 9/1998 Graneto, III D12/203
- D398,272 S * 9/1998 Graneto, III D12/203
- D412,754 S * 8/1999 Harden D25/69
- 6,817,447 B1 * 11/2004 Pedersen E04F 11/112
182/228.1
- D536,290 S * 2/2007 Yeh D12/203
- D595,630 S * 7/2009 McPherson D12/203
- 7,744,106 B2 * 6/2010 VanBelle B60R 3/02
180/90.6
- 7,900,944 B2 * 3/2011 Watson B60R 3/02
280/166
- 7,967,311 B2 * 6/2011 Phillips B60R 3/007
280/163

DESCRIPTION

FIG. 1 is a perspective view for a step for attachment to land vehicles showing my new design;
 FIG. 2 is a rear view thereof;
 FIG. 3 is a front view thereof;
 FIG. 4 is a top view thereof;
 FIG. 5 is a right side view thereof;
 FIG. 6 is a left side view thereof;
 FIG. 7 is a bottom view thereof; and,
 FIG. 8 is a cross sectional view through the line 8-8 in FIG. 1 thereof.

The step for attachment to land vehicles is shown with a symbolic break in its length. The appearance of any portion of the article between the break lines forms no part of the claimed design.

1 Claim, 4 Drawing Sheets



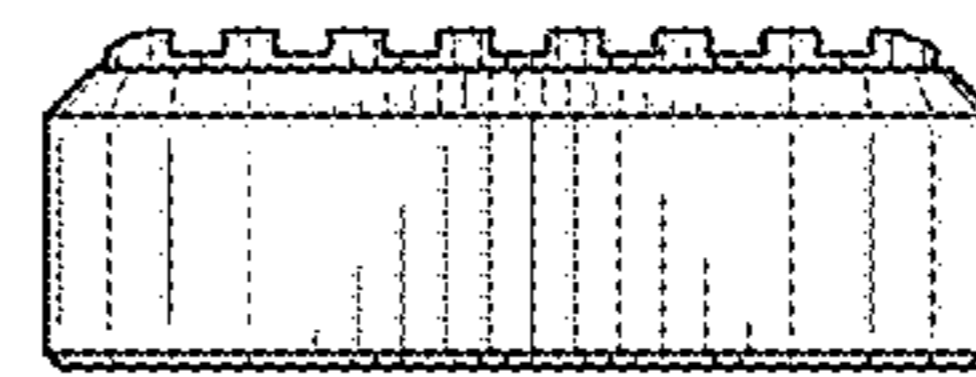
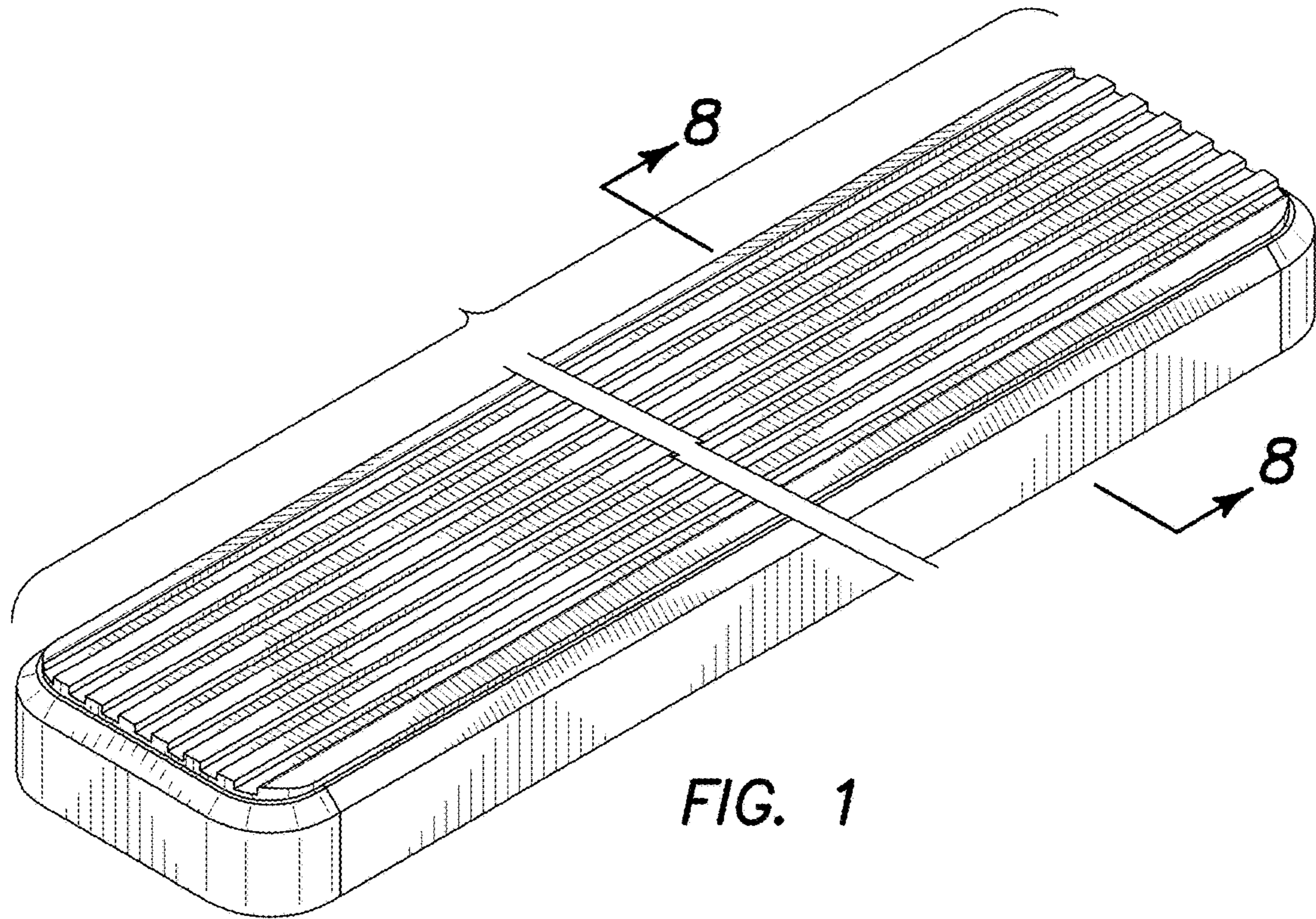


FIG. 2

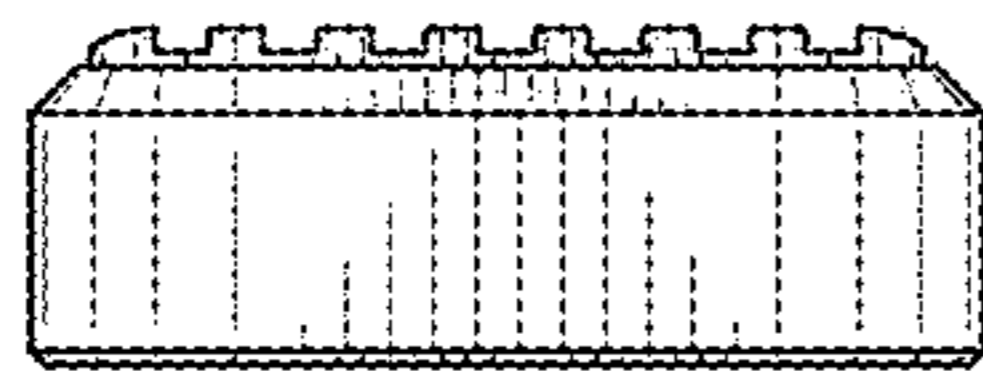


FIG. 3

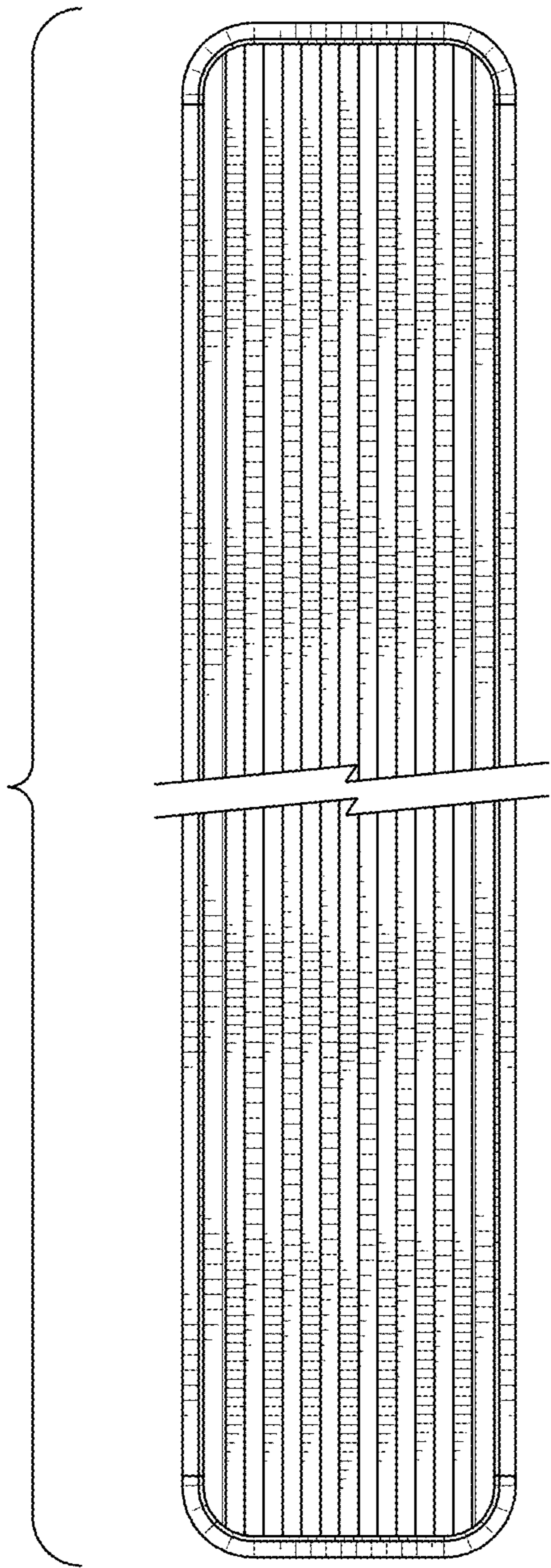


FIG. 4

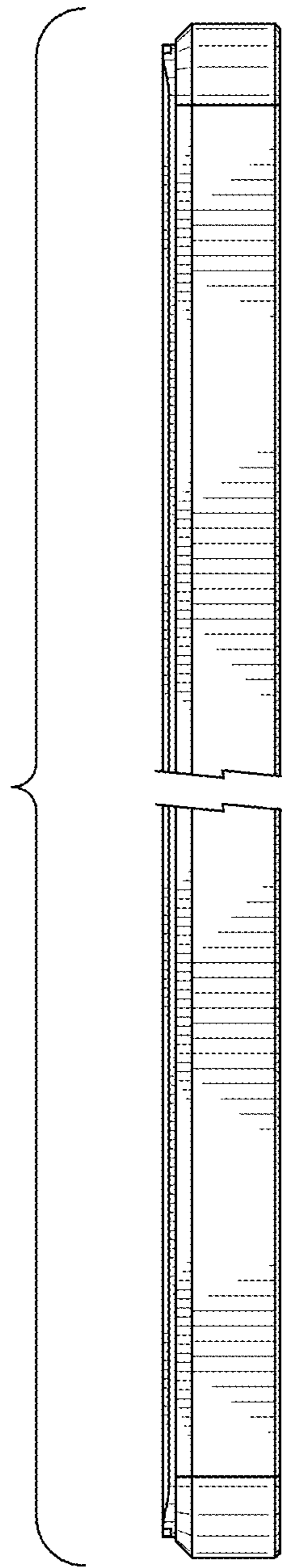


FIG. 5

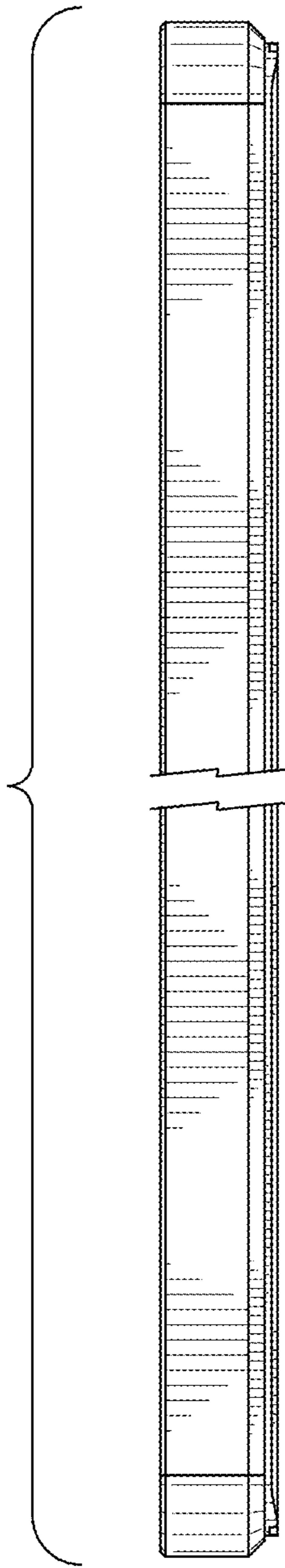


FIG. 6

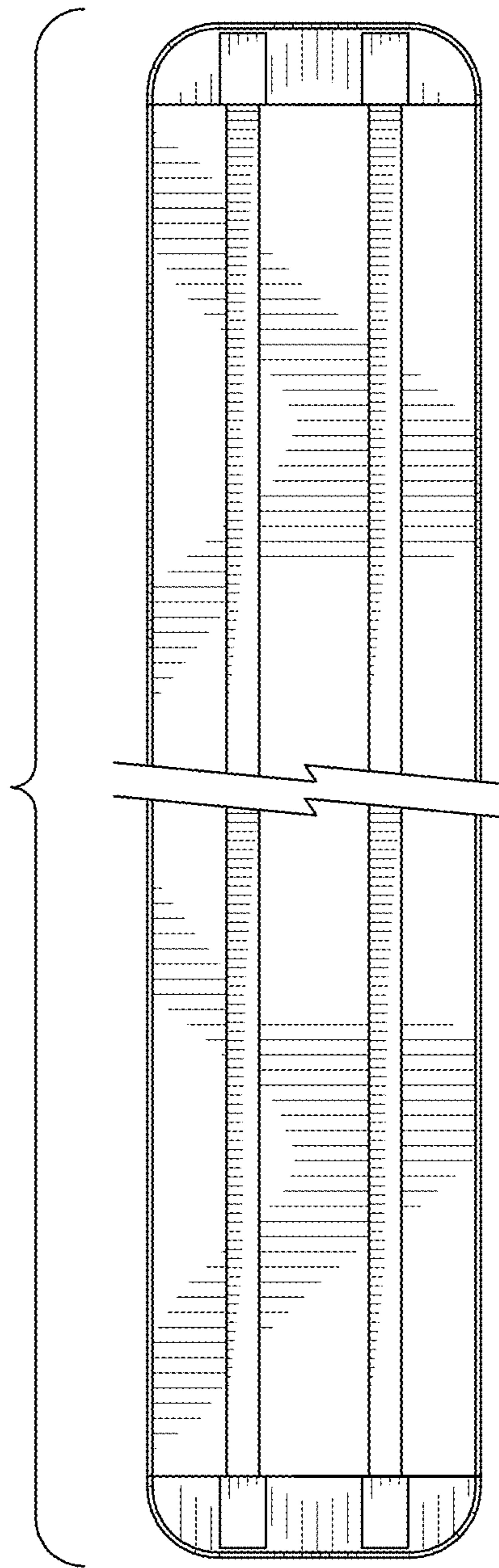


FIG. 7

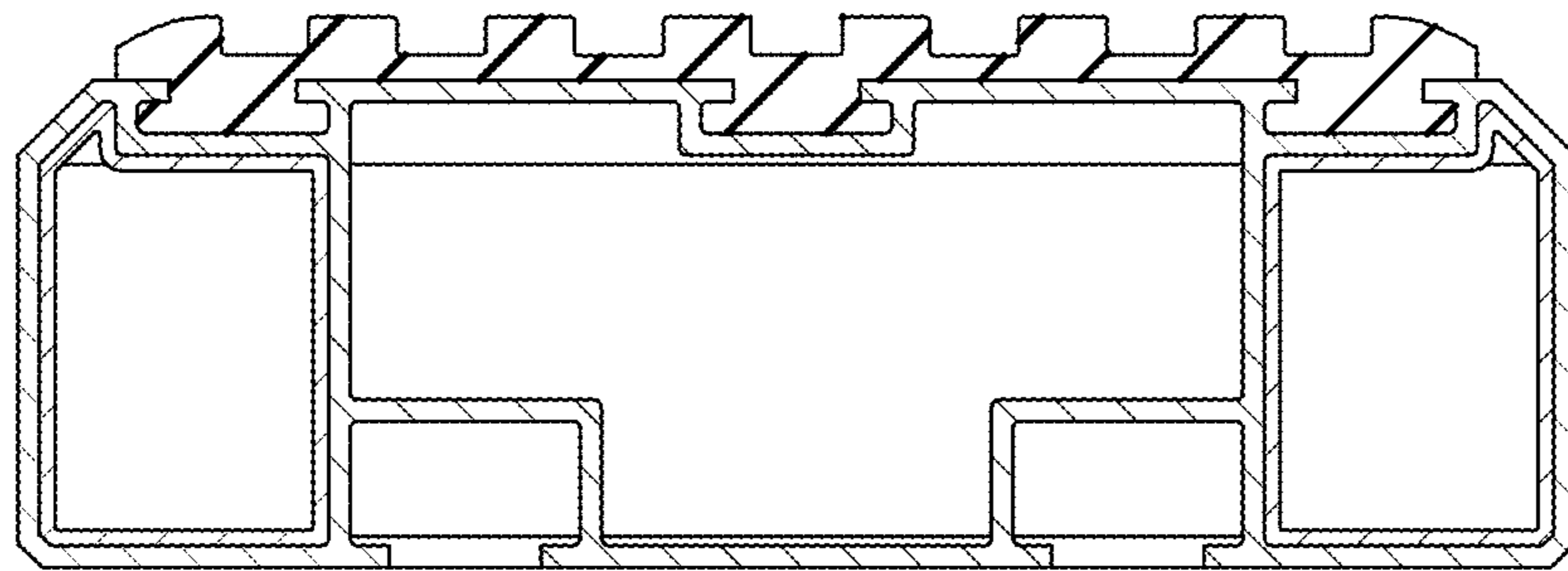


FIG. 8