



US00D788668S

(12) **United States Design Patent**
Frascella

(10) **Patent No.:** **US D788,668 S**

(45) **Date of Patent:** **** Jun. 6, 2017**

- (54) **VEHICLE CORNER PANEL**
- (71) Applicant: **Jaguar Land Rover Limited**, Coventry (GB)
- (72) Inventor: **Massimo Frascella**, Coventry (GB)
- (73) Assignee: **Jaguar Land Rover Limited** (GB)
- (**) Term: **14 Years**

D722,919 S *	2/2015	Chang	D12/91
D733,015 S *	6/2015	Gorsten	
		Schuenemann	D12/164
D736,124 S *	8/2015	Glover	D12/164
D742,789 S *	11/2015	Cortina Ullate	D12/84
D743,851 S *	11/2015	Frascella	D12/164
9,238,400 B2 *	1/2016	Hanson	B60J 7/10
D760,137 S *	6/2016	Galante	D12/196
2015/0145277 A1 *	5/2015	Shi	B60J 7/104
			296/100.02
2016/0046241 A1 *	2/2016	Crismon	B60J 7/106
			224/326

(21) Appl. No.: **29/515,259**

(22) Filed: **Jan. 21, 2015**

(30) **Foreign Application Priority Data**

Jul. 22, 2014 (EM) 002507228
 Jul. 22, 2014 (EM) 002507269

(51) **LOC (10) Cl.** **12-16**

(52) **U.S. Cl.**
USPC **D12/196**

(58) **Field of Classification Search**
USPC D12/84, 90, 91, 100, 164, 196; D21/551;
224/326; 296/100.02

CPC B60J 7/10; B60J 7/104; B60J 7/106; B60R
9/058

See application file for complete search history.

(56) **References Cited**

U.S. PATENT DOCUMENTS

D442,888 S *	5/2001	Papke	D12/84
D458,188 S *	6/2002	Wyszogrod	D12/90
D692,360 S *	10/2013	Chao	D12/196
D706,689 S *	6/2014	Tada	D12/164
D714,880 S *	10/2014	Hattori	D21/551
D719,069 S *	12/2014	Hoefler, Jr.	D12/100

* cited by examiner

Primary Examiner — Rosemary K Tarcza

Assistant Examiner — Yolanda Robinson

(74) *Attorney, Agent, or Firm* — Fishman Stewart PLLC

(57) **CLAIM**

The ornamental design for a vehicle corner panel, as shown and described.

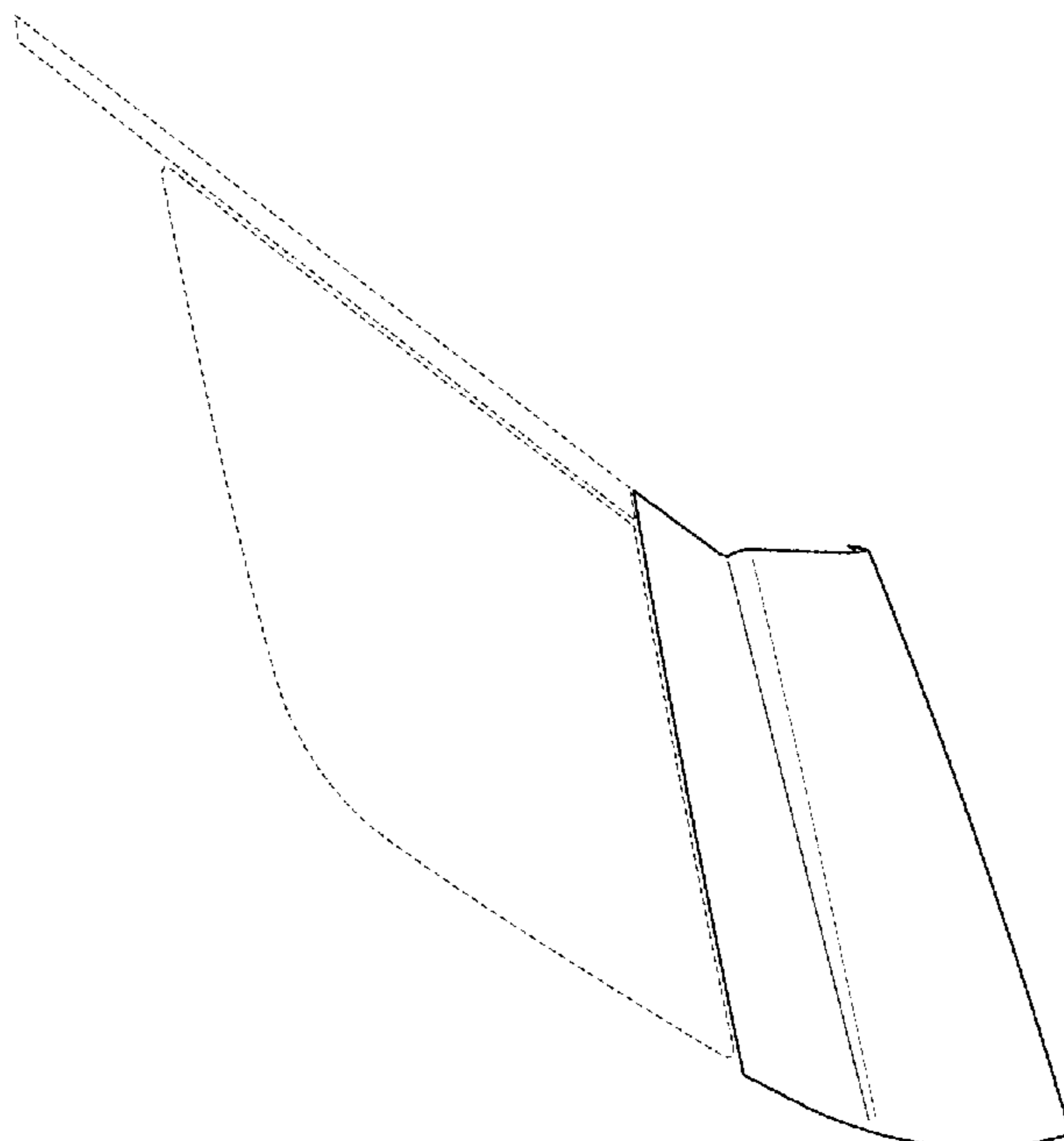
DESCRIPTION

FIG. 1 is a rear perspective view of a vehicle corner panel;
 FIG. 2 is a top perspective view of a vehicle corner panel;
 FIG. 3 is a front view of a vehicle corner panel;
 FIG. 4 is a rear view of a vehicle corner panel;
 FIG. 5 is a top view of a vehicle corner panel;
 FIG. 6 is an outboard side view of a vehicle corner panel;
 and,

FIG. 7 is supplemental rear perspective view of a vehicle corner panel in the installed position on vehicle.

The broken lines in the drawings illustrate portions of the vehicle corner panel or the vehicle environment incorporating the vehicle corner panel that form no part of the claimed design.

1 Claim, 4 Drawing Sheets



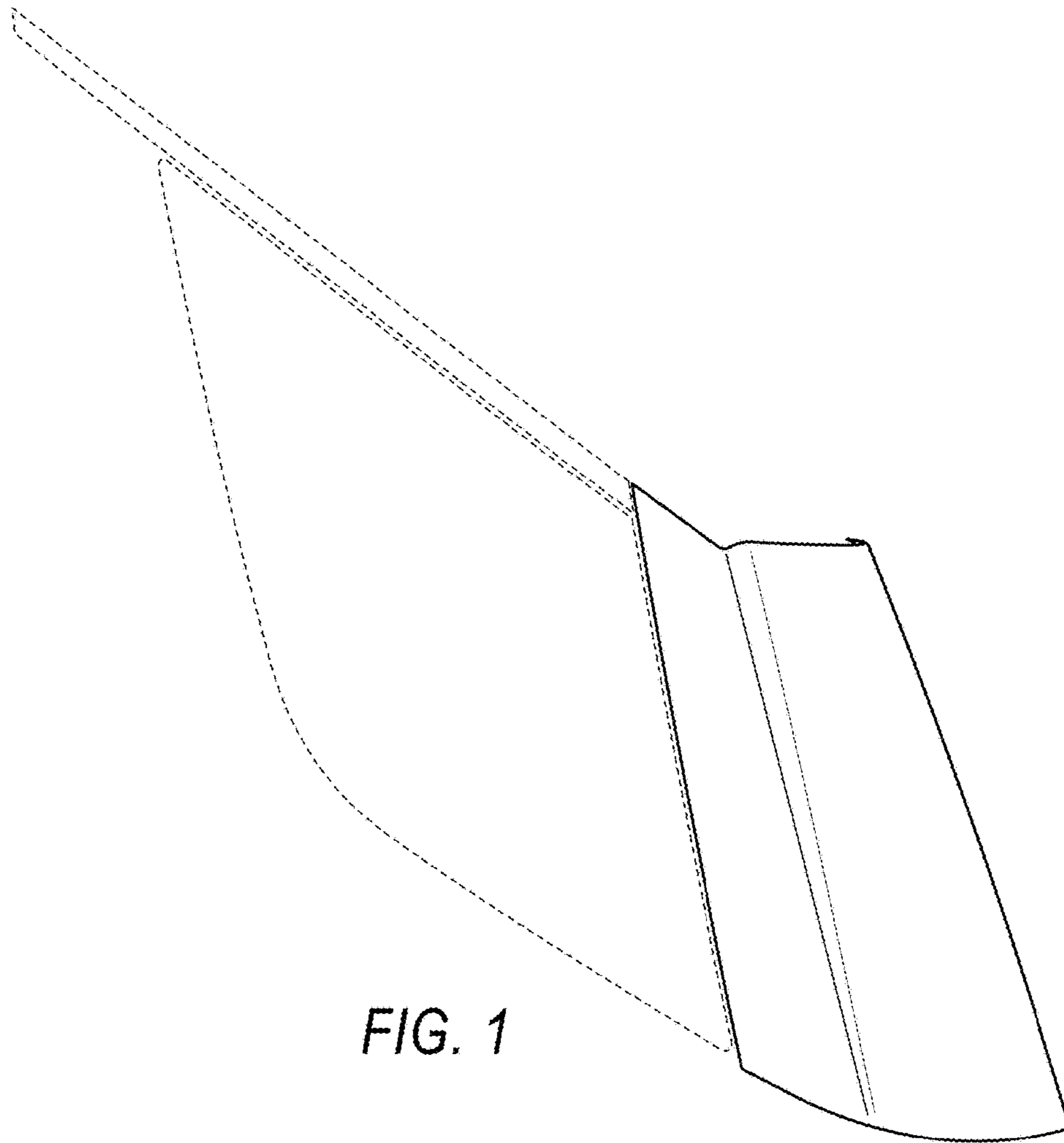


FIG. 1

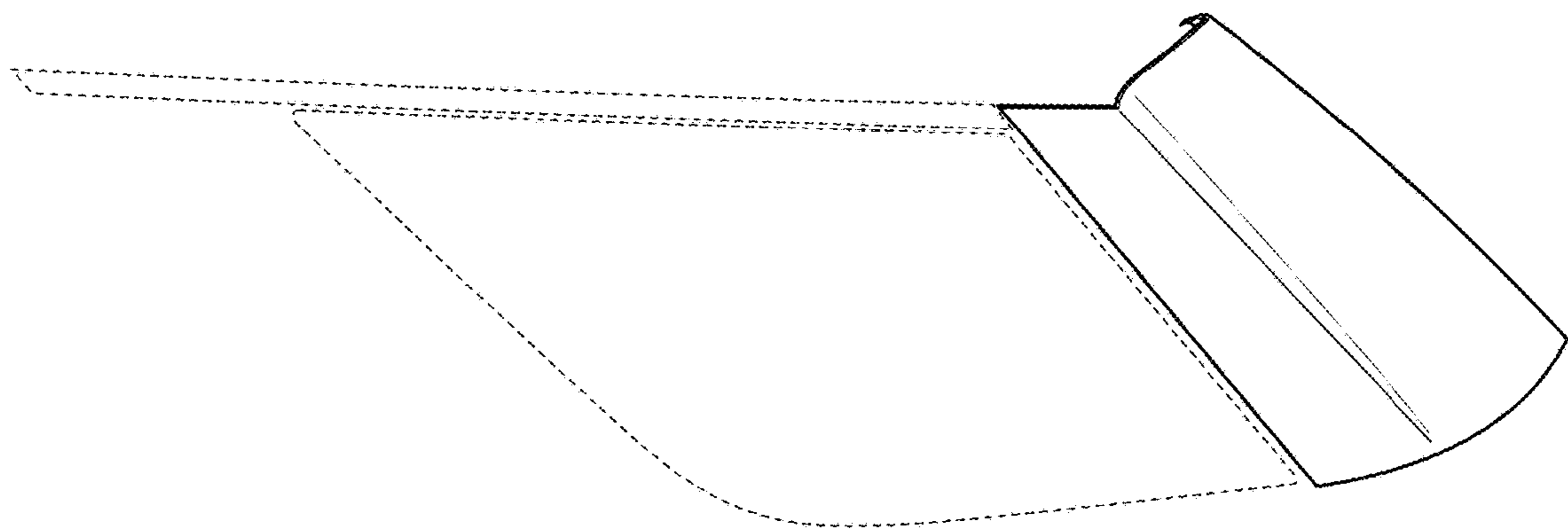


FIG. 2

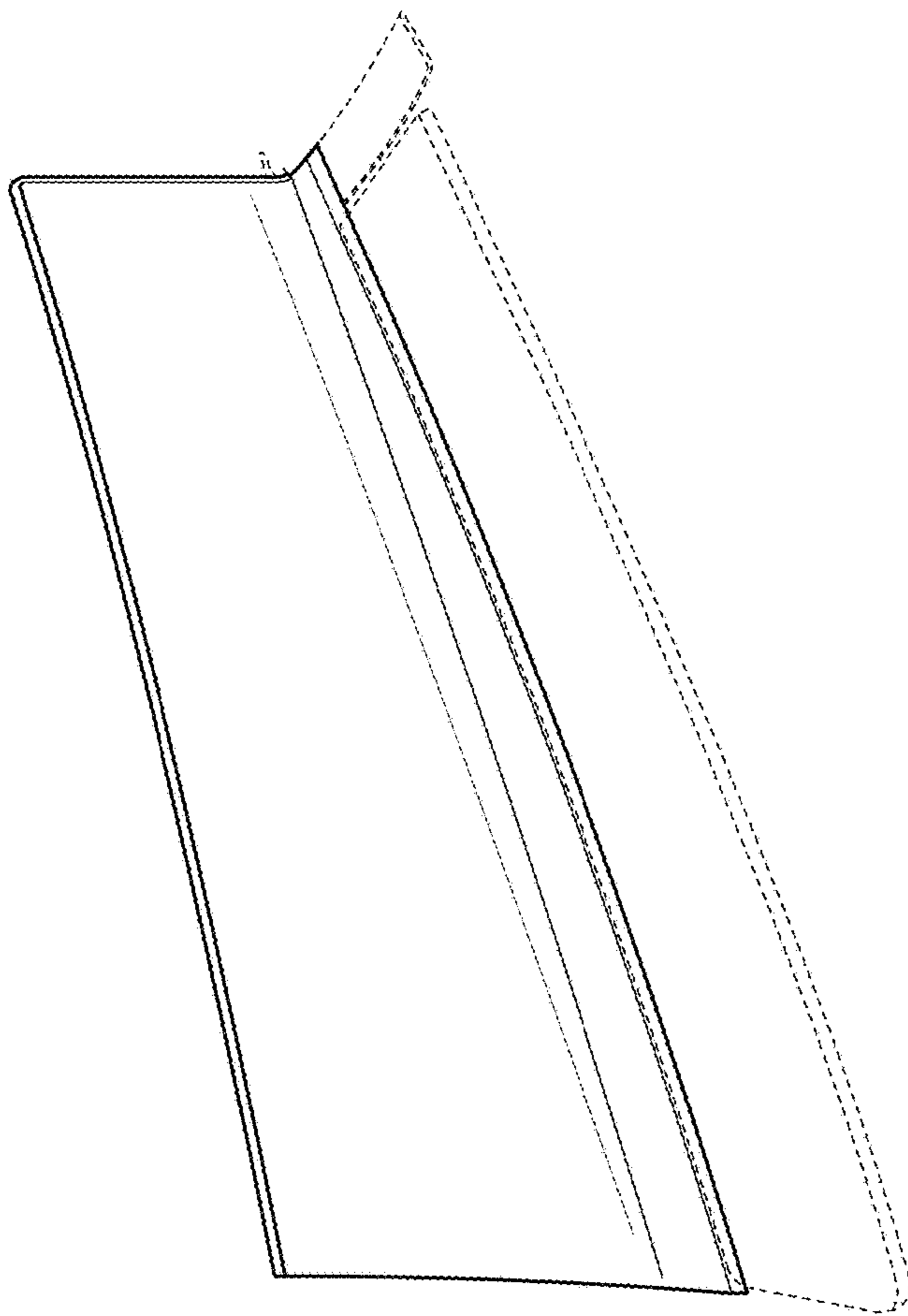


FIG. 3

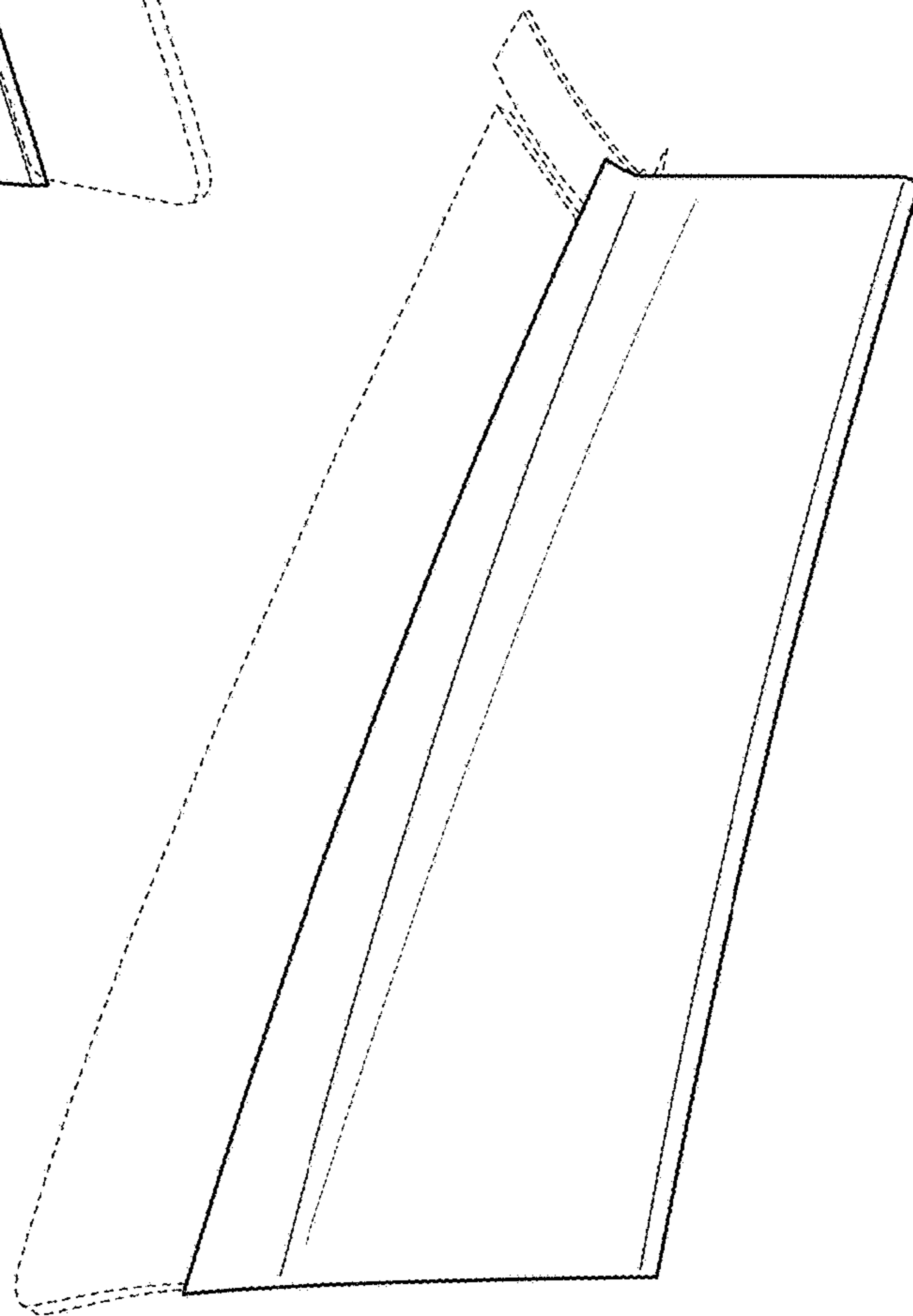


FIG. 4

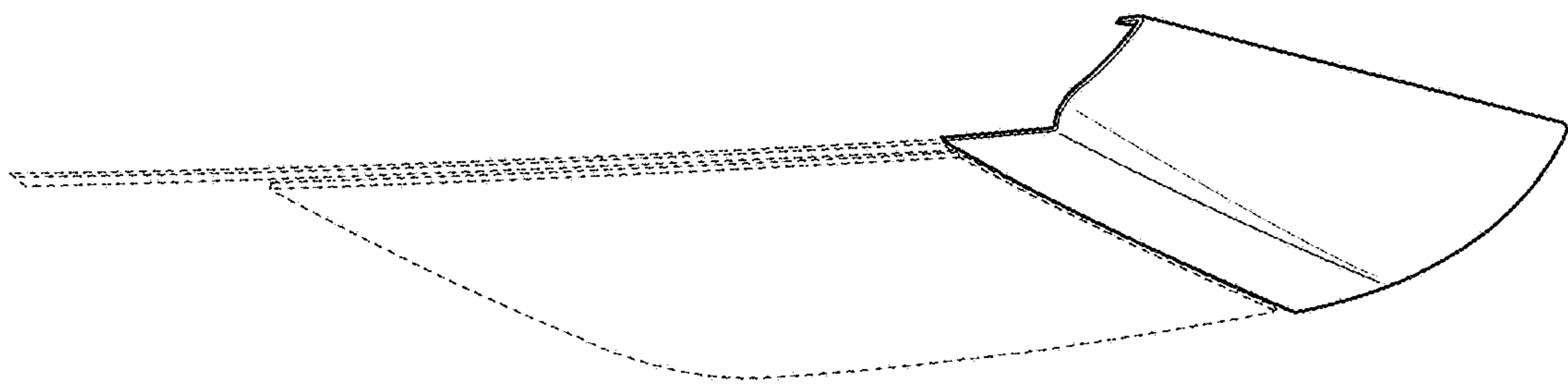


FIG. 5

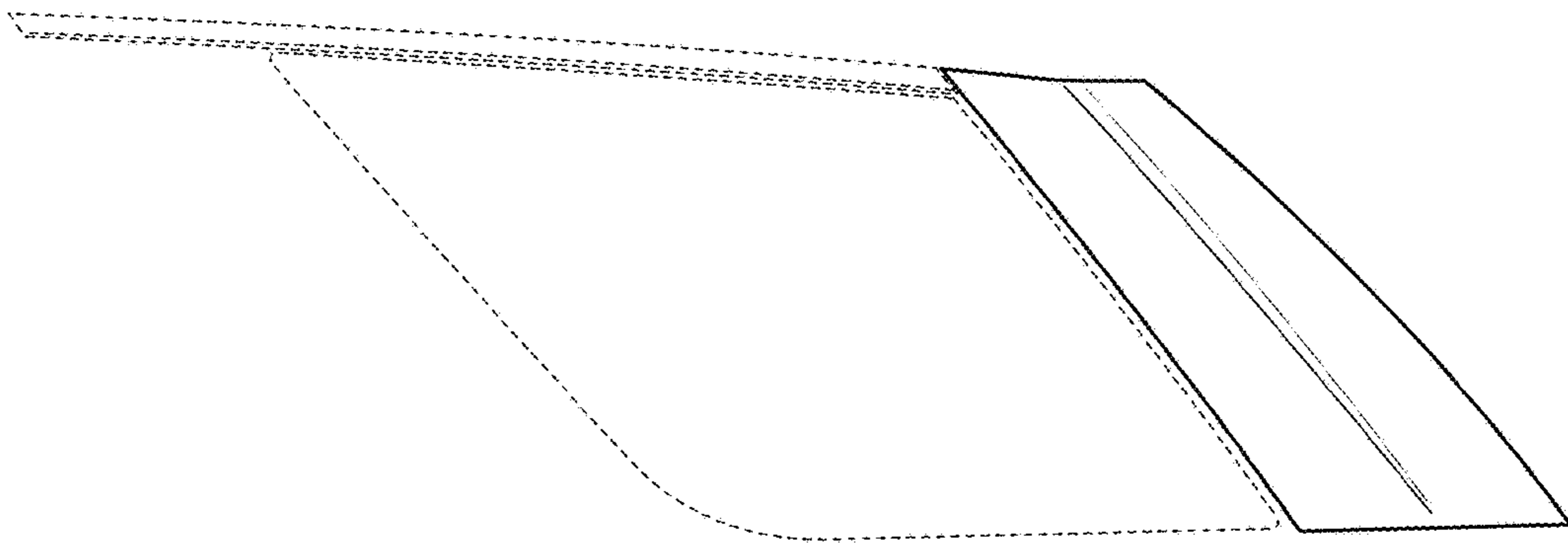


FIG. 6

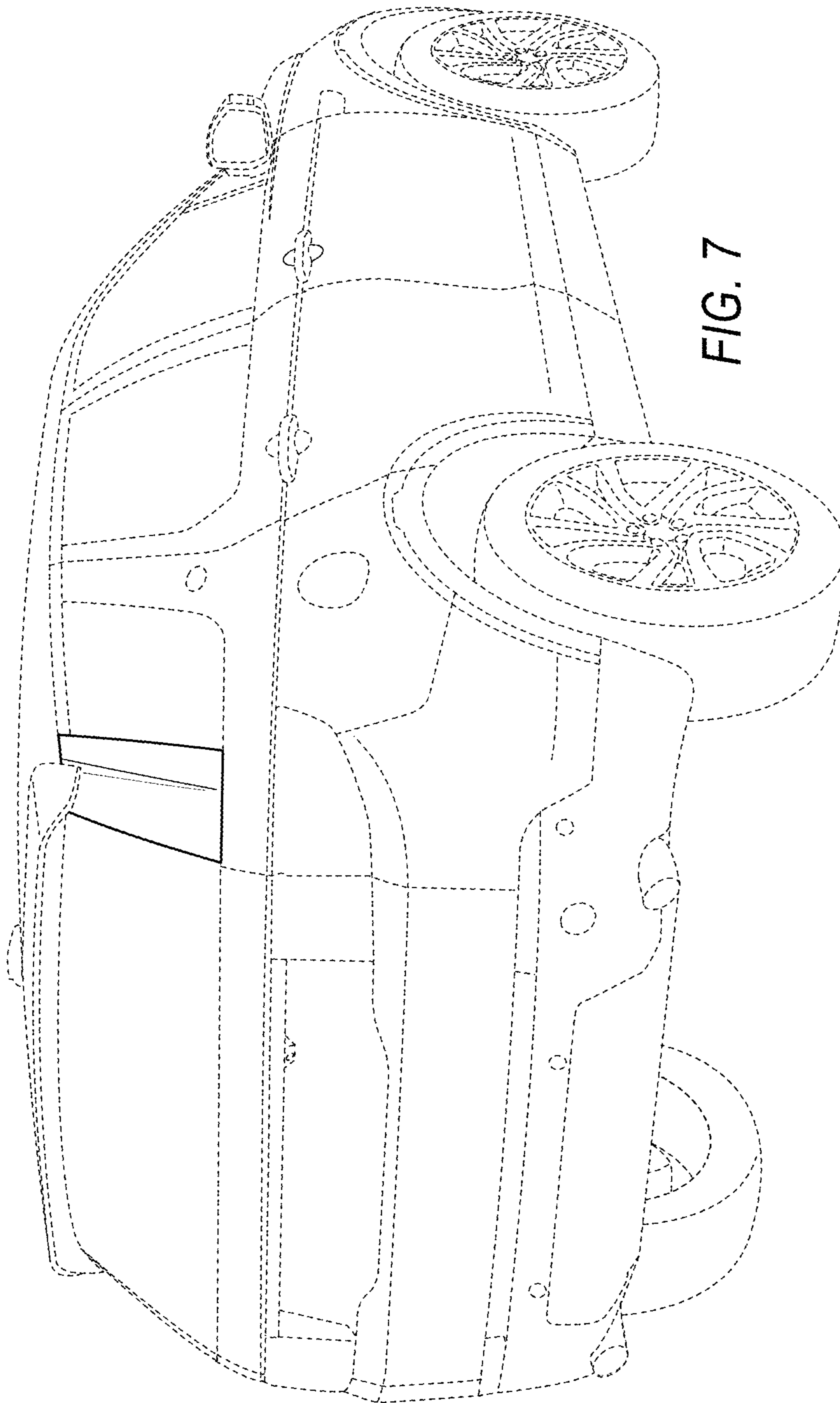


FIG. 7