



US00D788666S

(12) **United States Design Patent** (10) **Patent No.:** **US D788,666 S**  
**Yamamoto et al.** (45) **Date of Patent:** **\*\* Jun. 6, 2017**

(54) **INSTRUMENT PANEL FOR AN AUTOMOBILE**

(71) Applicants: **Kei Yamamoto**, Toyota (JP); **Toshikazu Tanemura**, Aichi-ken (JP)

(72) Inventors: **Kei Yamamoto**, Toyota (JP); **Toshikazu Tanemura**, Aichi-ken (JP)

(73) Assignee: **Toyota Jidosha Kabushiki Kaisha** (JP)

(\*\*) Term: **15 Years**

(21) Appl. No.: **29/537,652**

(22) Filed: **Aug. 27, 2015**

(51) **LOC (10) Cl.** ..... **12-16**

(52) **U.S. Cl.**  
USPC ..... **D12/192**

(58) **Field of Classification Search**  
USPC ..... D12/192, 195, 415; D15/17; D10/46, 98  
CPC ..... B60K 37/00; B60K 37/02; B60K 37/04  
See application file for complete search history.

(56) **References Cited**

**U.S. PATENT DOCUMENTS**

D419,936 S *	2/2000	Sacco	.....	D12/192
D539,714 S *	4/2007	Toyama	.....	D12/192
D637,539 S *	5/2011	Welch	.....	D12/192
D641,672 S *	7/2011	Willoughby	.....	D12/192
D641,674 S *	7/2011	Kim	.....	D12/192
D693,753 S *	11/2013	Cheung	.....	D12/192
D704,610 S *	5/2014	Mizuhata	.....	D12/192
D718,200 S *	11/2014	Arnaout	.....	D12/192
D721,996 S *	2/2015	Farcas	.....	D12/192
D721,997 S *	2/2015	Hedge	.....	D12/192
D727,231 S *	4/2015	Narita	.....	D12/192
D727,816 S *	4/2015	Takagi	.....	D12/192

**OTHER PUBLICATIONS**

Lexus, LF-A Roadster Concept, Newcarshow.com <[http://www.netcarshow.com/lexus/2008-lf-roadster/concept/800x600/wallpaper\\_ob.htm](http://www.netcarshow.com/lexus/2008-lf-roadster/concept/800x600/wallpaper_ob.htm)>, available at least as early as Jan. 2008.  
MercedesBenz, MercedesBenz S-Class CoupeConcept, Newcarshow.com <[http://www.netcarshow.com/mercedes-benz/2013-s-class\\_coupe\\_concept/05.htm](http://www.netcarshow.com/mercedes-benz/2013-s-class_coupe_concept/05.htm)>, available at least as early as May 2013.

\* cited by examiner

*Primary Examiner* — Phillip S Hyder

(74) *Attorney, Agent, or Firm* — Saidman DesignLaw Group, LLC

(57) **CLAIM**

The ornamental design for an instrument panel for an automobile, as shown and described.

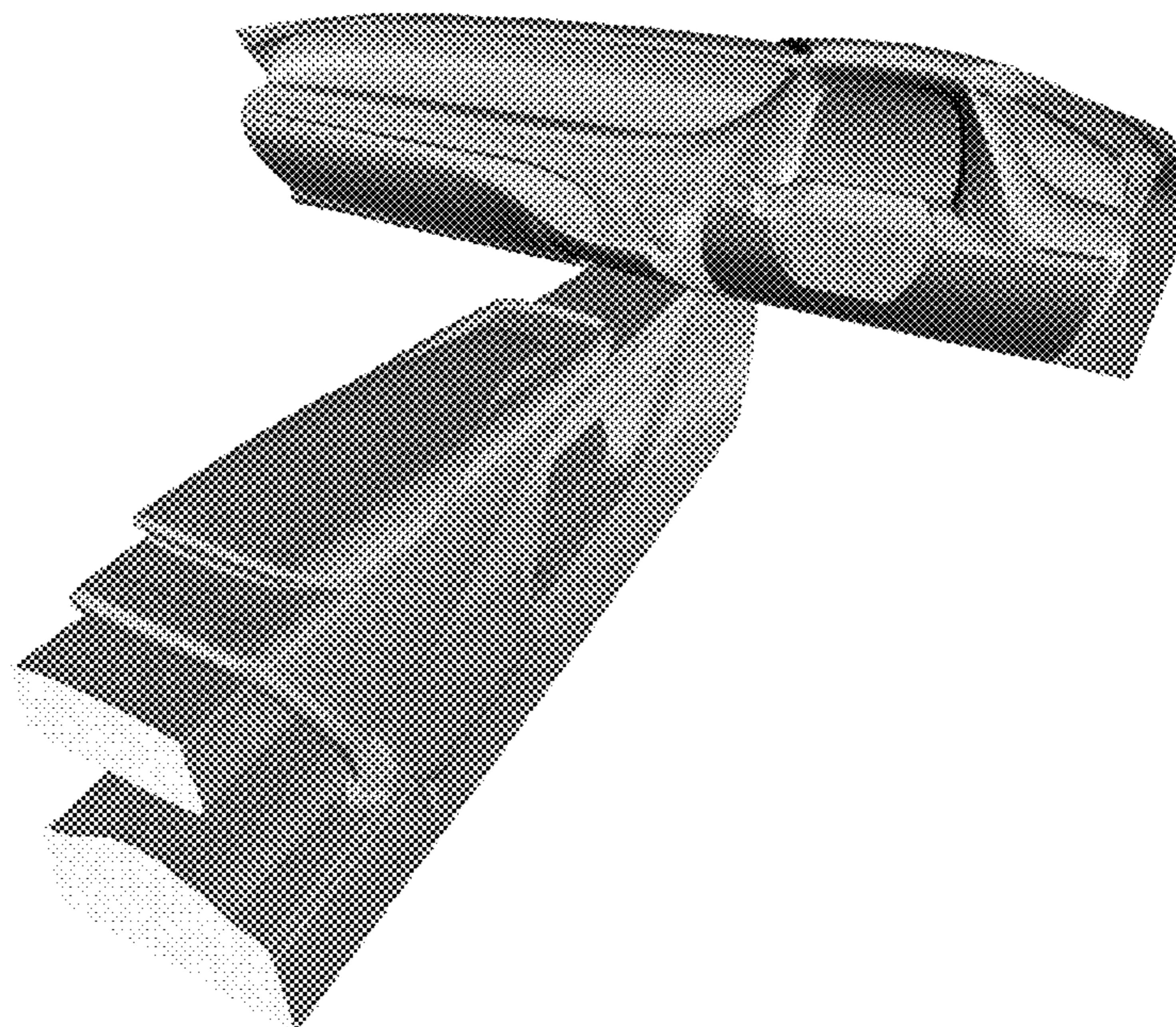
**DESCRIPTION**

FIG. 1 is a perspective view of an instrument panel for an automobile showing our new design;  
FIG. 2 is a front view thereof;  
FIG. 3 is a rear view thereof;  
FIG. 4 is a right side view thereof;  
FIG. 5 is a left side view thereof;  
FIG. 6 is a top view thereof; and,  
FIG. 7 is a bottom view thereof.

The claimed design is indicated by the relatively dark portions in the figures. The relatively light portions form no part of the claimed design.

The Inventors and the Applicant regard their design as shown in FIGS. 1-7 and the mirror images thereof.

**1 Claim, 7 Drawing Sheets**



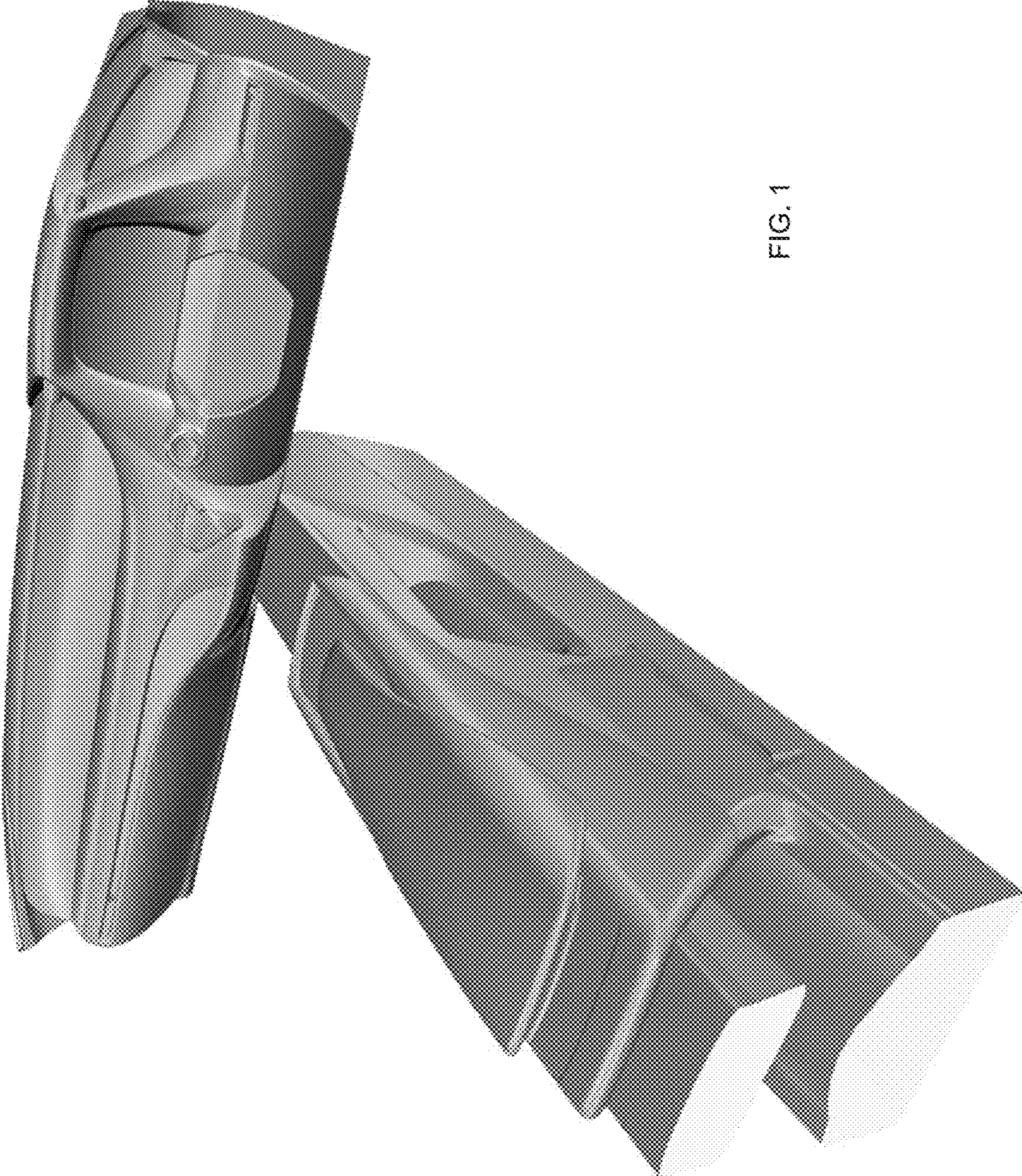


FIG. 1

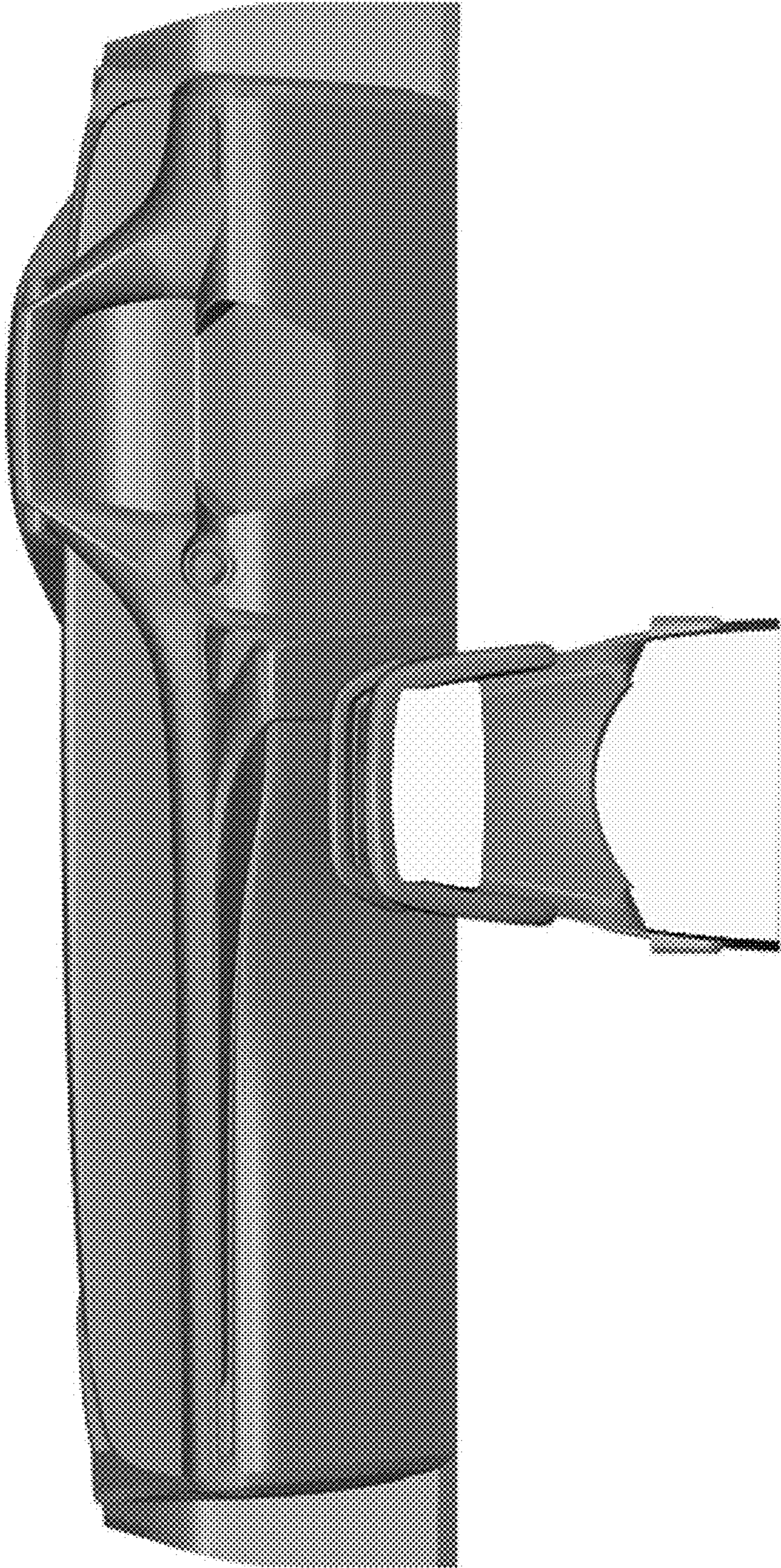


FIG. 2

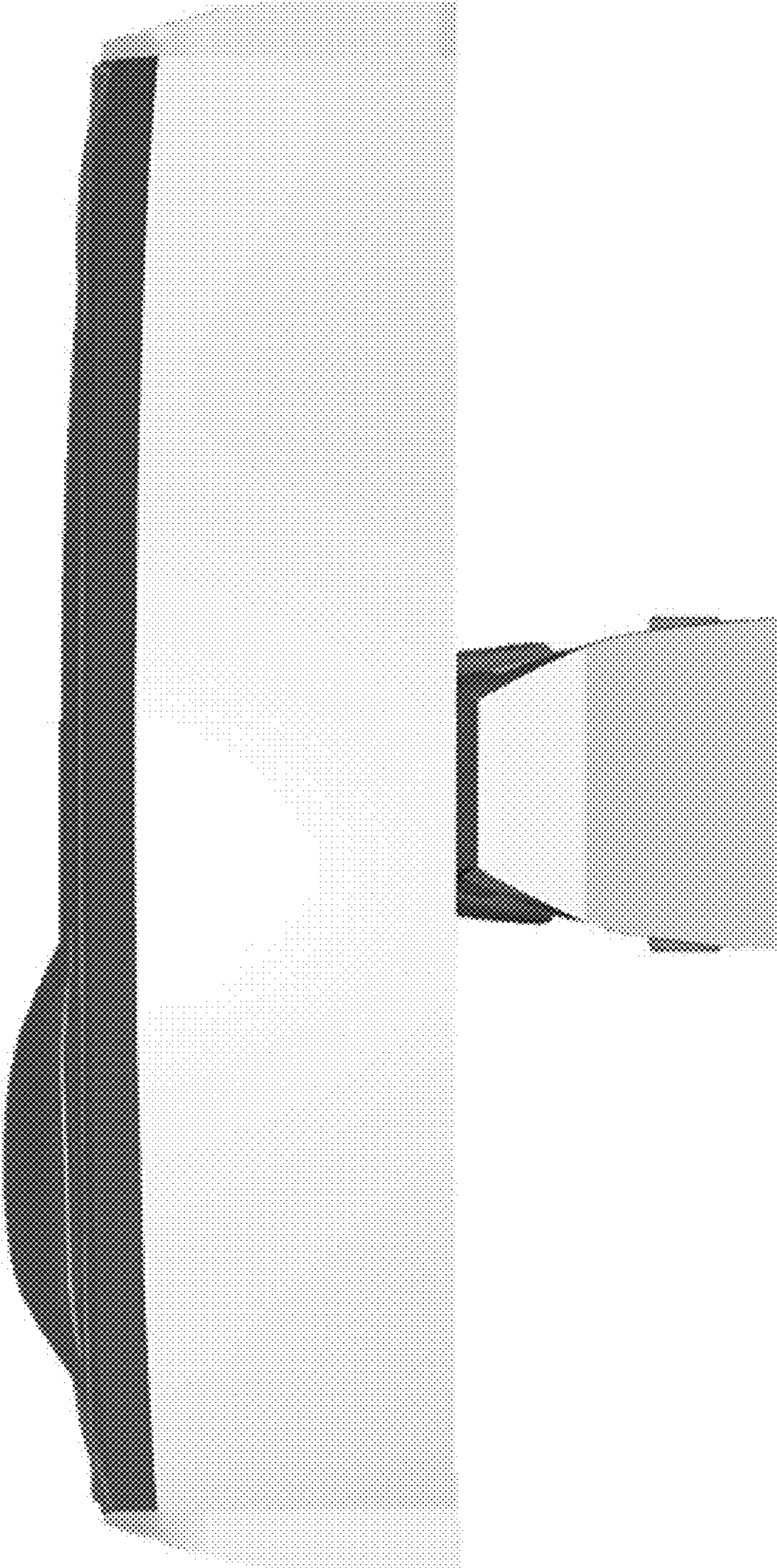


FIG. 3

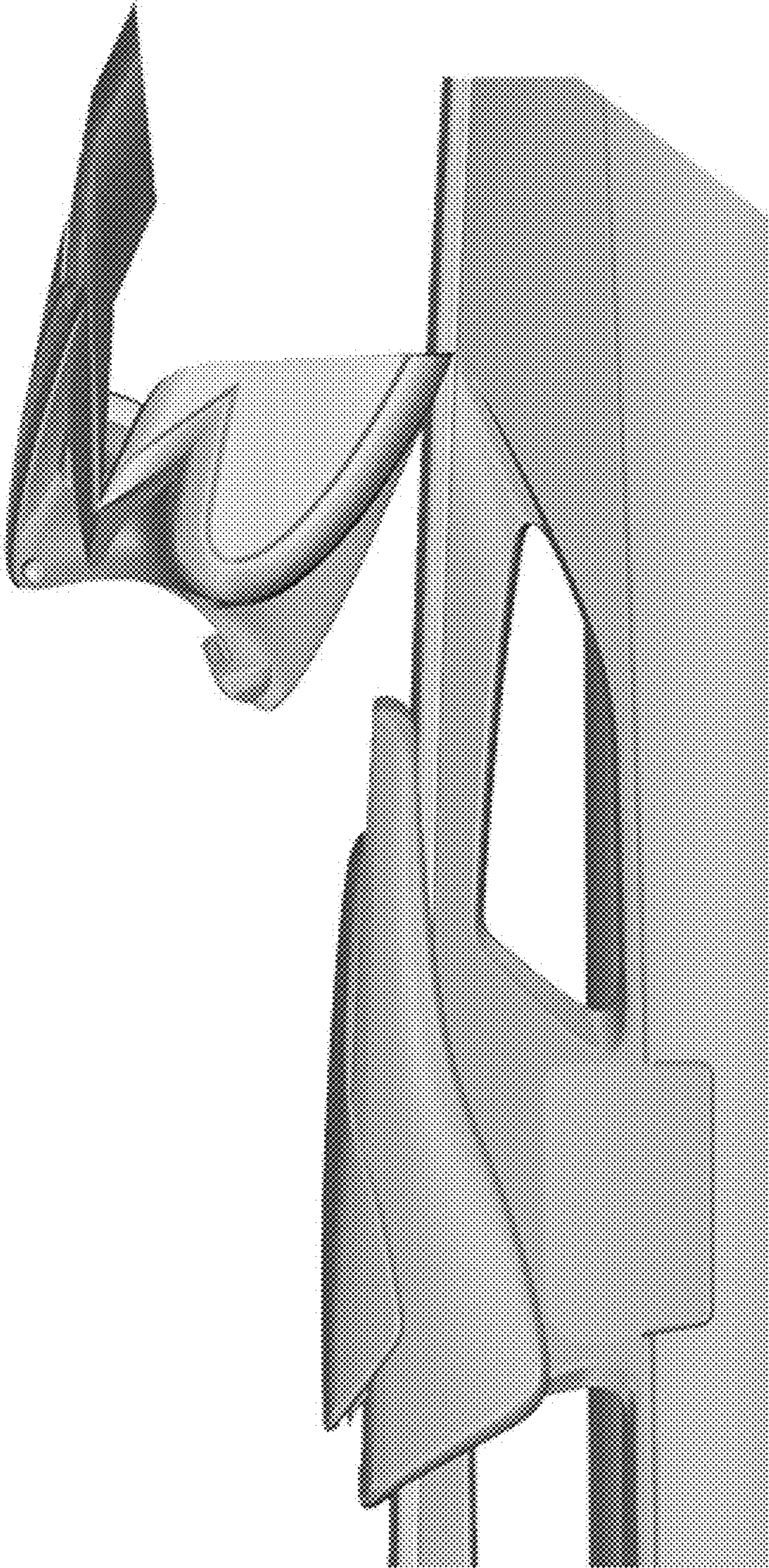


FIG. 4

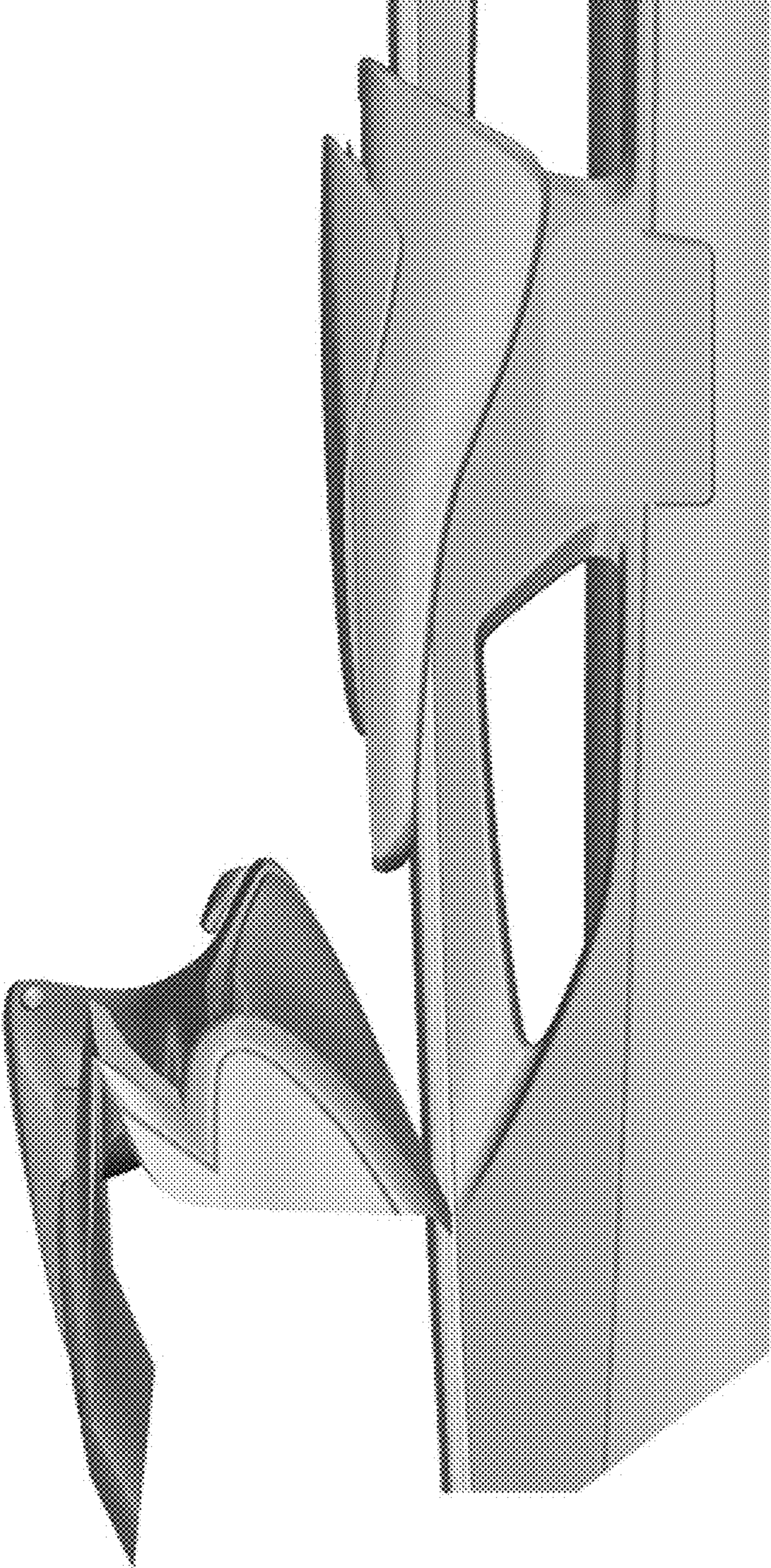


FIG. 5

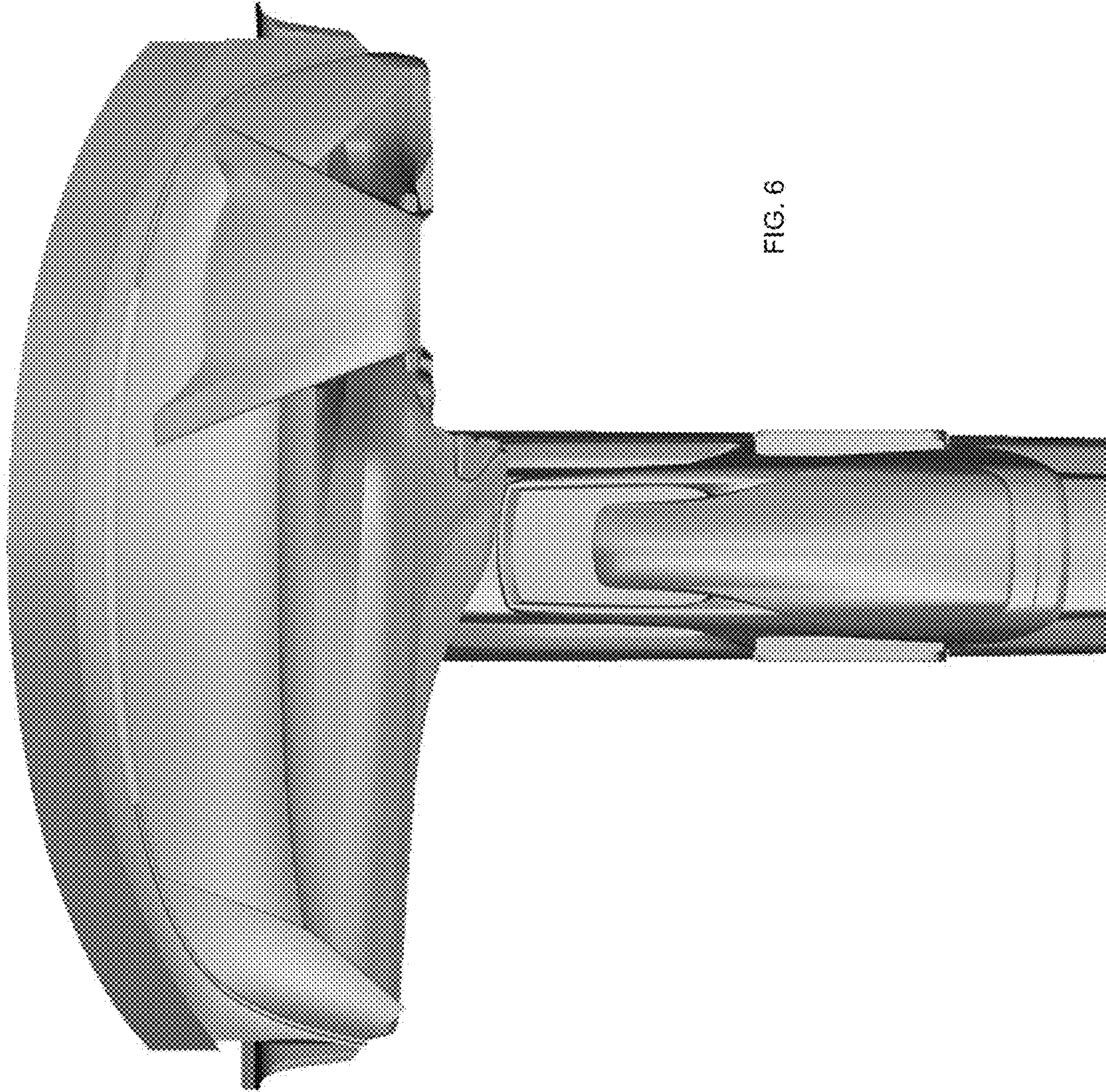
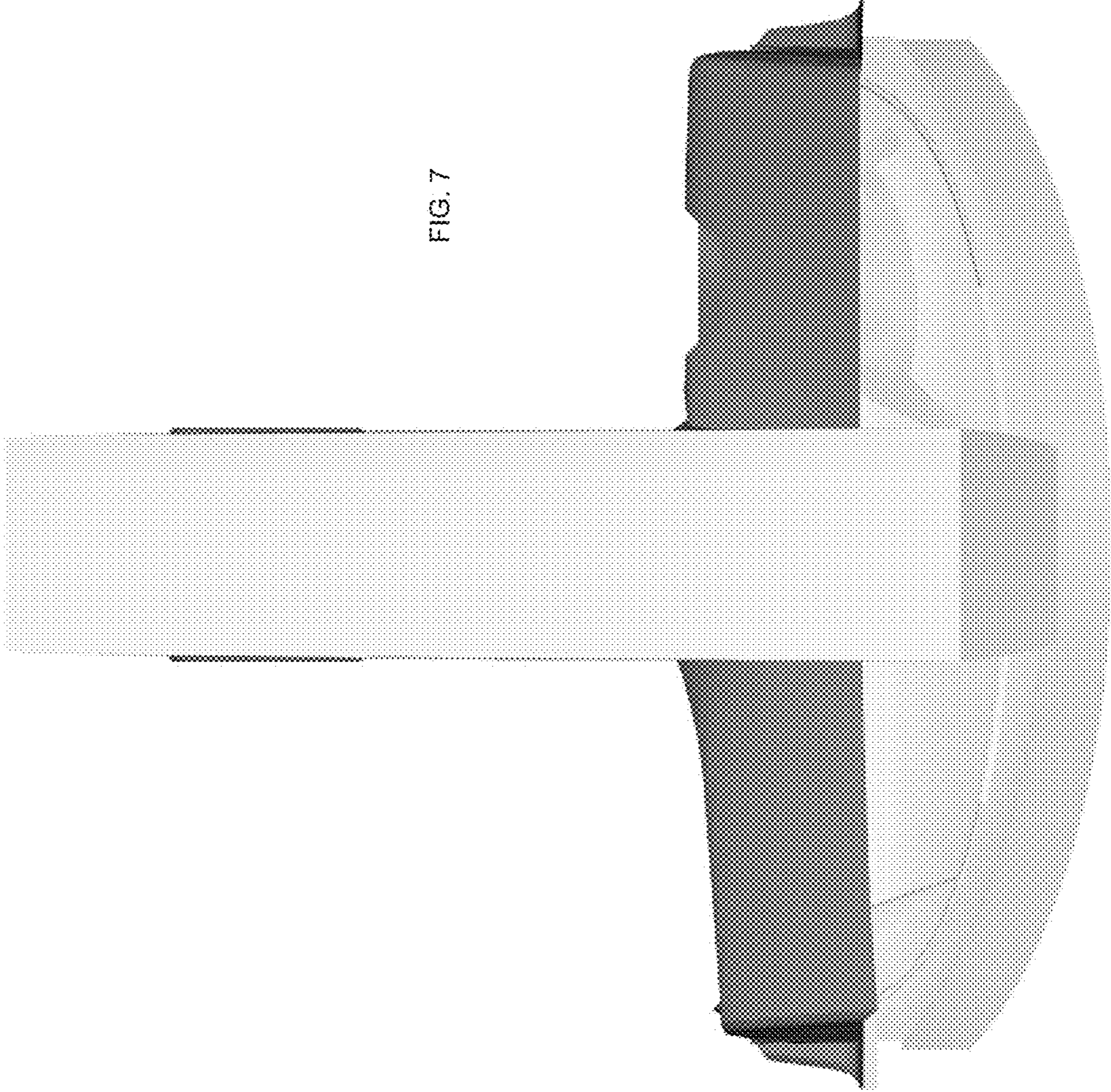


FIG. 6

FIG. 7





UNITED STATES PATENT AND TRADEMARK OFFICE  
**CERTIFICATE OF CORRECTION**

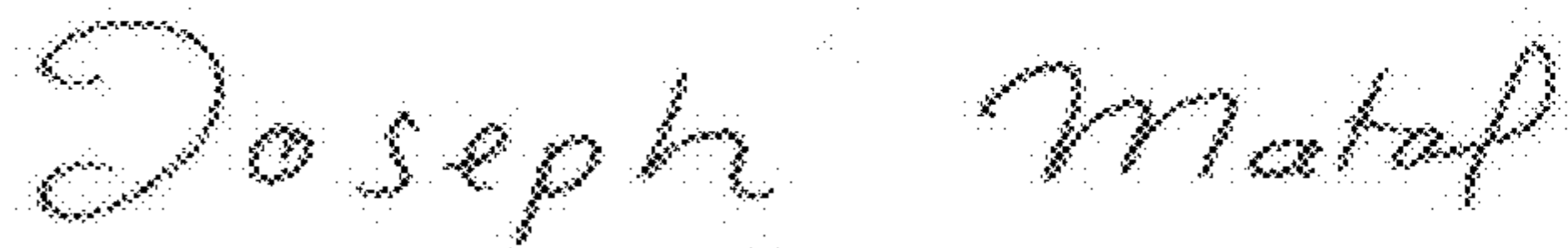
PATENT NO. : D788,666 S  
APPLICATION NO. : 29/537652  
DATED : June 6, 2017  
INVENTOR(S) : Kei Yamamoto et al.

Page 1 of 1

It is certified that error appears in the above-identified patent and that said Letters Patent is hereby corrected as shown below:

Item (71) Applicants should read: Kei Yamamoto, Toyota (JP); Toshikazu Tanemura, Aichi-gun (JP)  
Item (72) Inventors should read: Kei Yamamoto, Toyota (JP); Toshikazu Tanemura, Aichi-gun (JP)

Signed and Sealed this  
Twenty-sixth Day of December, 2017



Joseph Matal

*Performing the Functions and Duties of the  
Under Secretary of Commerce for Intellectual Property and  
Director of the United States Patent and Trademark Office*