



US00D788654S

(12) **United States Design Patent**
Curic et al.

(10) **Patent No.:** **US D788,654 S**

(45) **Date of Patent:** **** Jun. 6, 2017**

(54) **VEHICLE FRONT UPPER GRILLE**

(71) Applicant: **Ford Global Technologies, LLC**,
Dearborn, MI (US)

(72) Inventors: **Kemal Curic**, West Bloomfield, MI
(US); **Shawn Wehrly**, Northville, MI
(US); **David Woodhouse**, Troy, MI
(US)

(73) Assignee: **Ford Global Technologies, LLC**,
Dearborn, MI (US)

(**) Term: **15 Years**

(21) Appl. No.: **29/505,601**

(22) Filed: **Dec. 23, 2015**

(51) **LOC (10) Cl.** **12-16**

(52) **U.S. Cl.**
USPC **D12/163**

(58) **Field of Classification Search**
USPC D12/91, 163-171; D21/313, 433-434;
180/68.1, 68.6; 296/193.09
CPC B60K 11/08; B62B 9/16; B60R 19/50;
B62D 25/08
See application file for complete search history.

(56) **References Cited**

U.S. PATENT DOCUMENTS

D452,837 S *	1/2002	Kitamura	D12/163
D494,513 S *	8/2004	Ito	D12/163
D510,303 S *	10/2005	Spagnola	D12/163
D575,688 S *	8/2008	Miyata	D12/163
D592,564 S *	5/2009	Kusamoto	D12/163
7,896,409 B2 *	3/2011	Abdelnour	B60R 19/52 180/68.6

D664,479 S *	7/2012	Platto	D12/163
D712,321 S *	9/2014	Mays	D12/163
D721,019 S *	1/2015	Pevovar	D12/163
D727,220 S *	4/2015	Rupar	D12/163
D746,186 S *	12/2015	Curic	D12/163
D751,470 S *	3/2016	Buck	D12/163
D753,031 S *	4/2016	van Braeckel	D12/164
D756,854 S *	5/2016	Horiuchi	D12/163
D758,926 S *	6/2016	Rupar	D12/163
D758,928 S *	6/2016	Messale	D12/163
D766,782 S *	9/2016	Arroba	D12/163
2016/0137230 A1 *	5/2016	Taneda	B62D 25/085 296/193.09

* cited by examiner

Primary Examiner — Manpreet Matharu

Assistant Examiner — Keith Wilson

(74) *Attorney, Agent, or Firm* — LeClairRyan

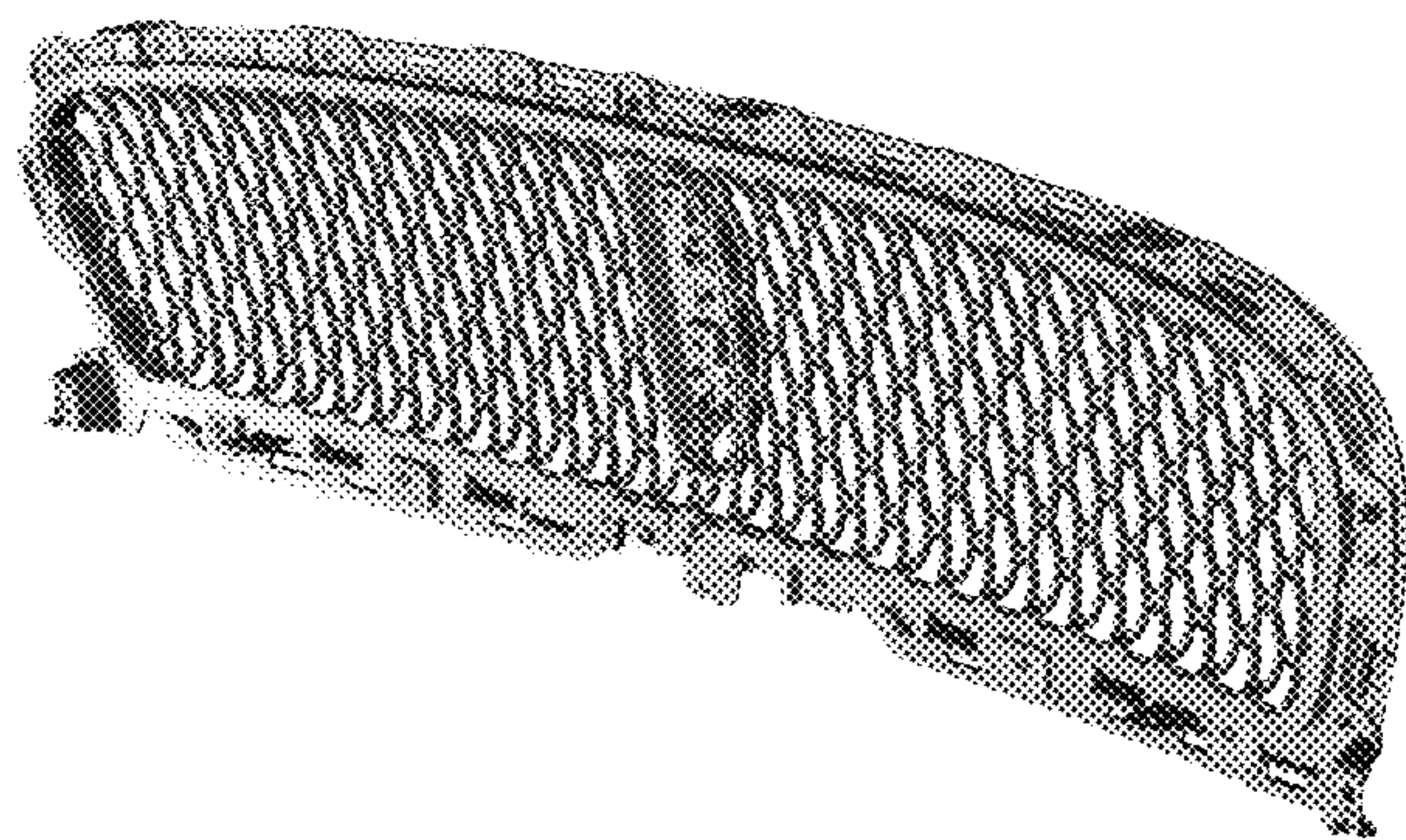
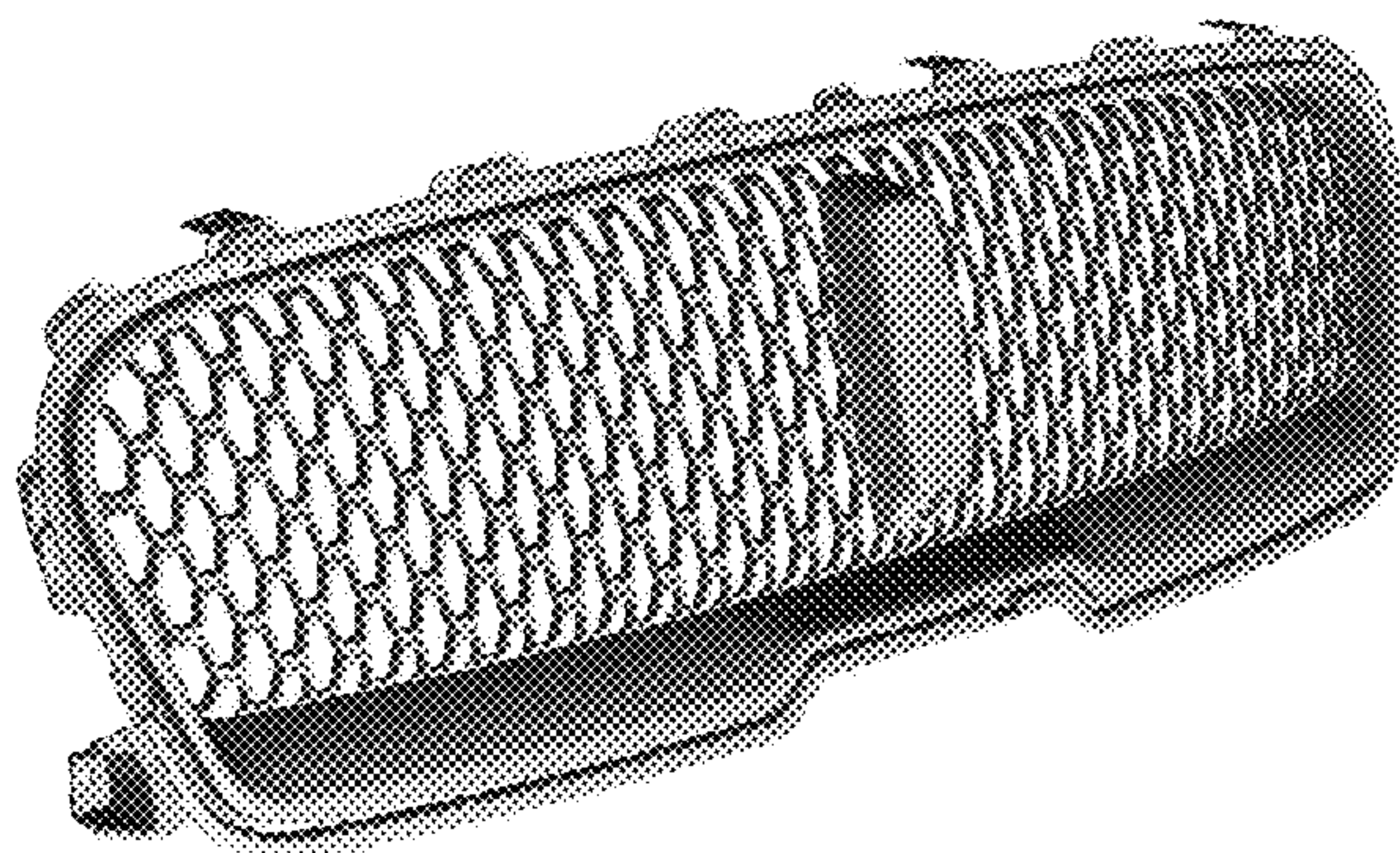
(57) **CLAIM**

The ornamental design for a vehicle front upper grille, as shown and described.

DESCRIPTION

FIG. 1 is a top front perspective and right view of the vehicle front upper grille;
FIG. 2 is a bottom front perspective and right view thereof;
FIG. 3 is a top rear perspective view thereof;
FIG. 4 is a front elevational view thereof;
FIG. 5 is a rear elevational view thereof;
FIG. 6 is a right elevational view thereof;
FIG. 7 is a left side elevational view thereof;
FIG. 8 is a top plan view thereof; and,
FIG. 9 is a bottom plan view thereof.

1 Claim, 9 Drawing Sheets



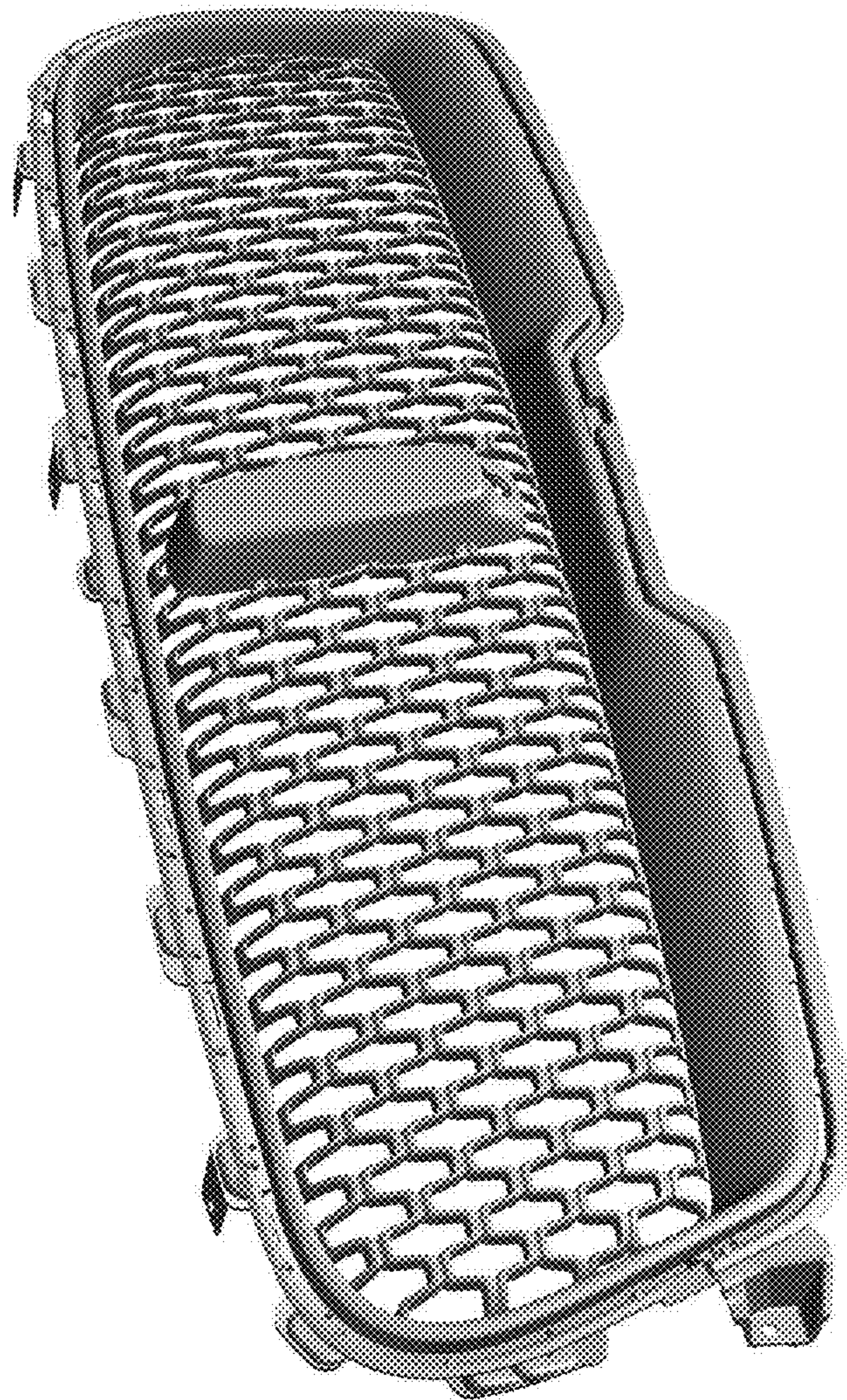


FIG. 1



FIG. 2

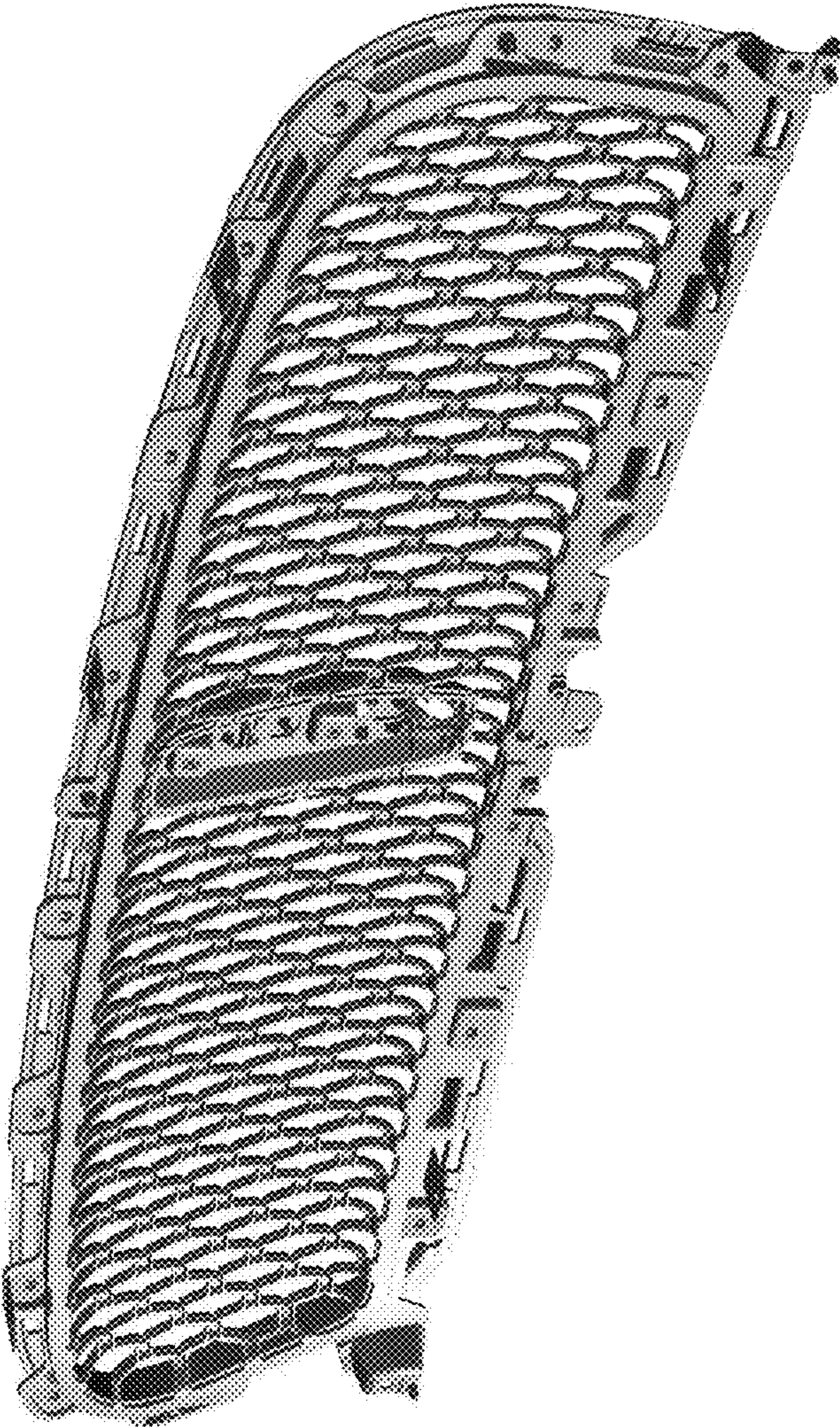


FIG. 3

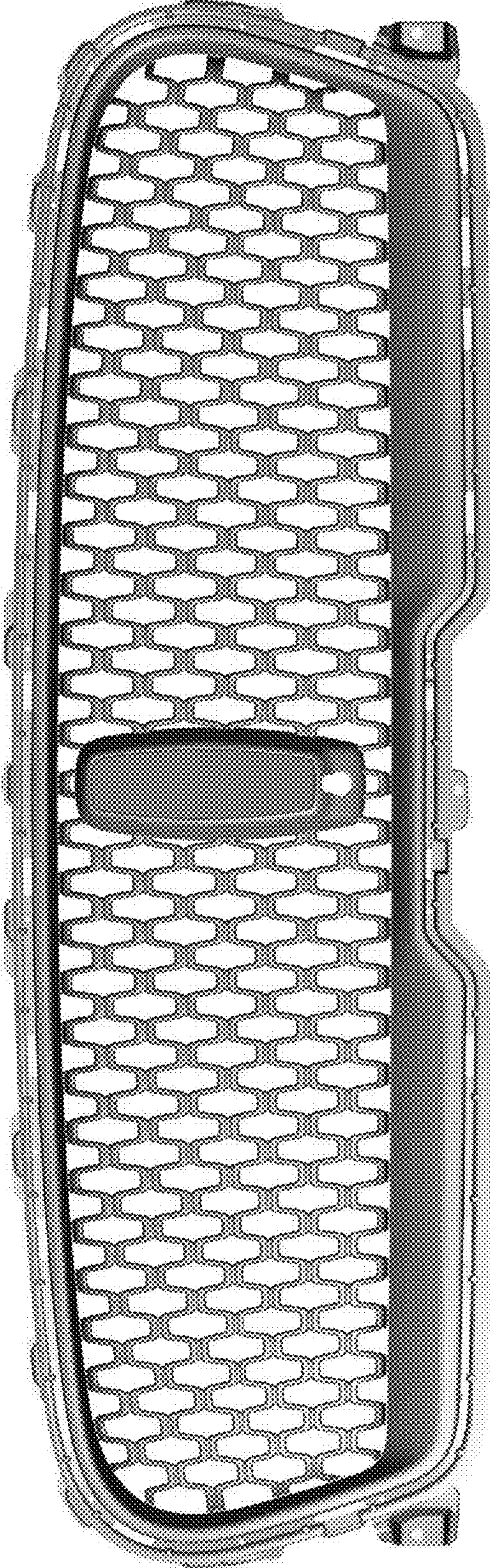


FIG. 4

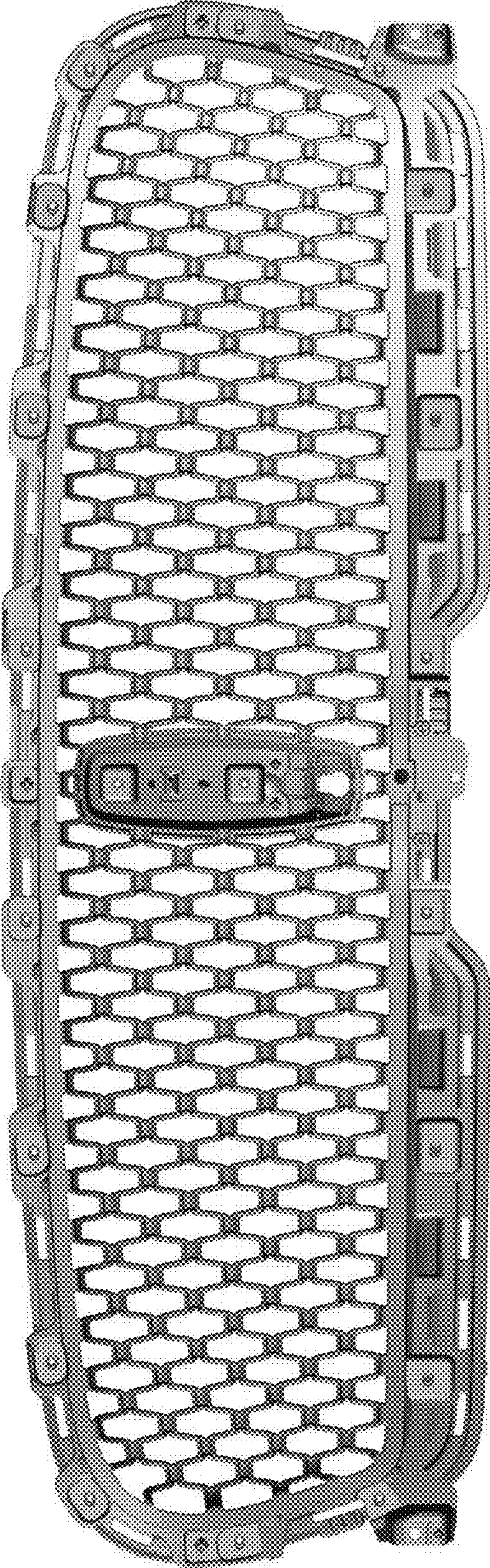


FIG. 5

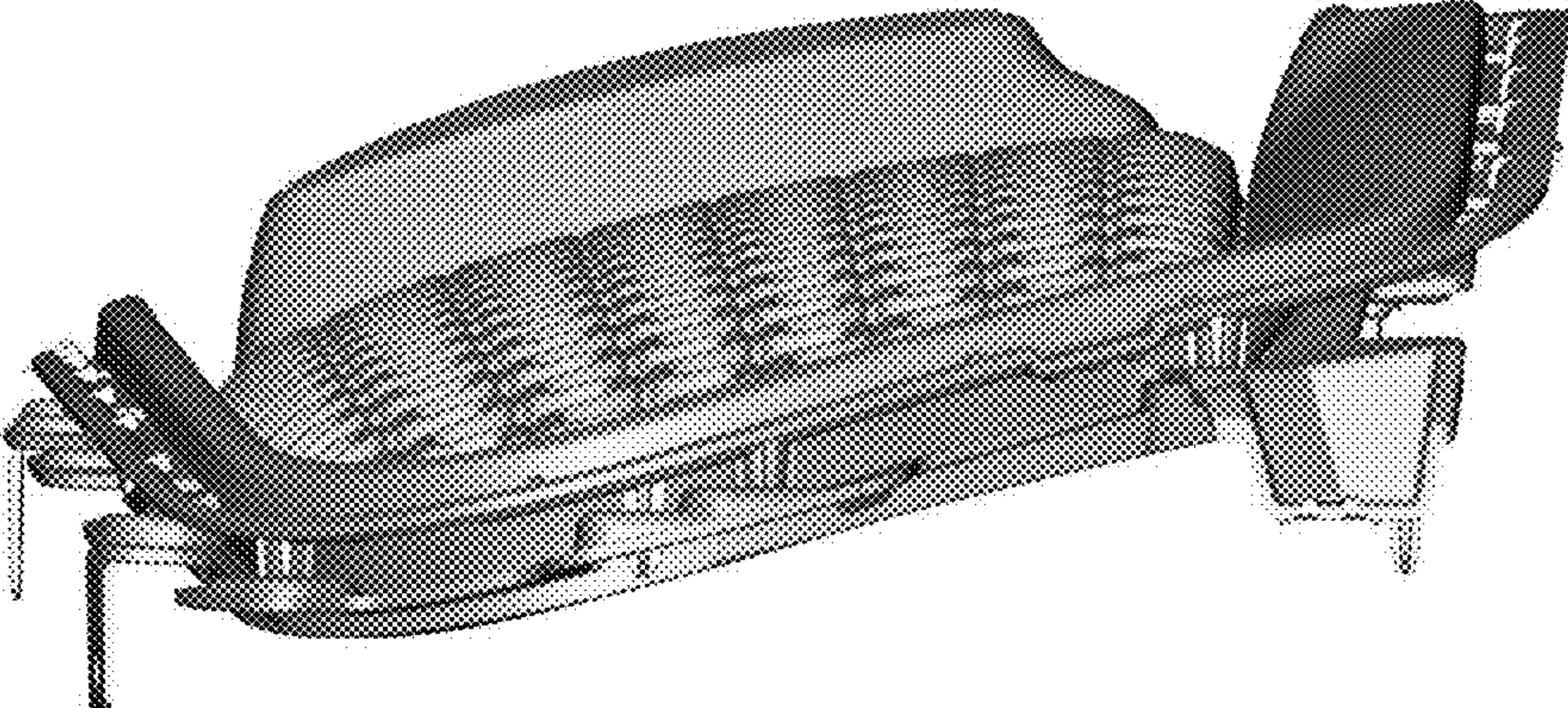


FIG. 6

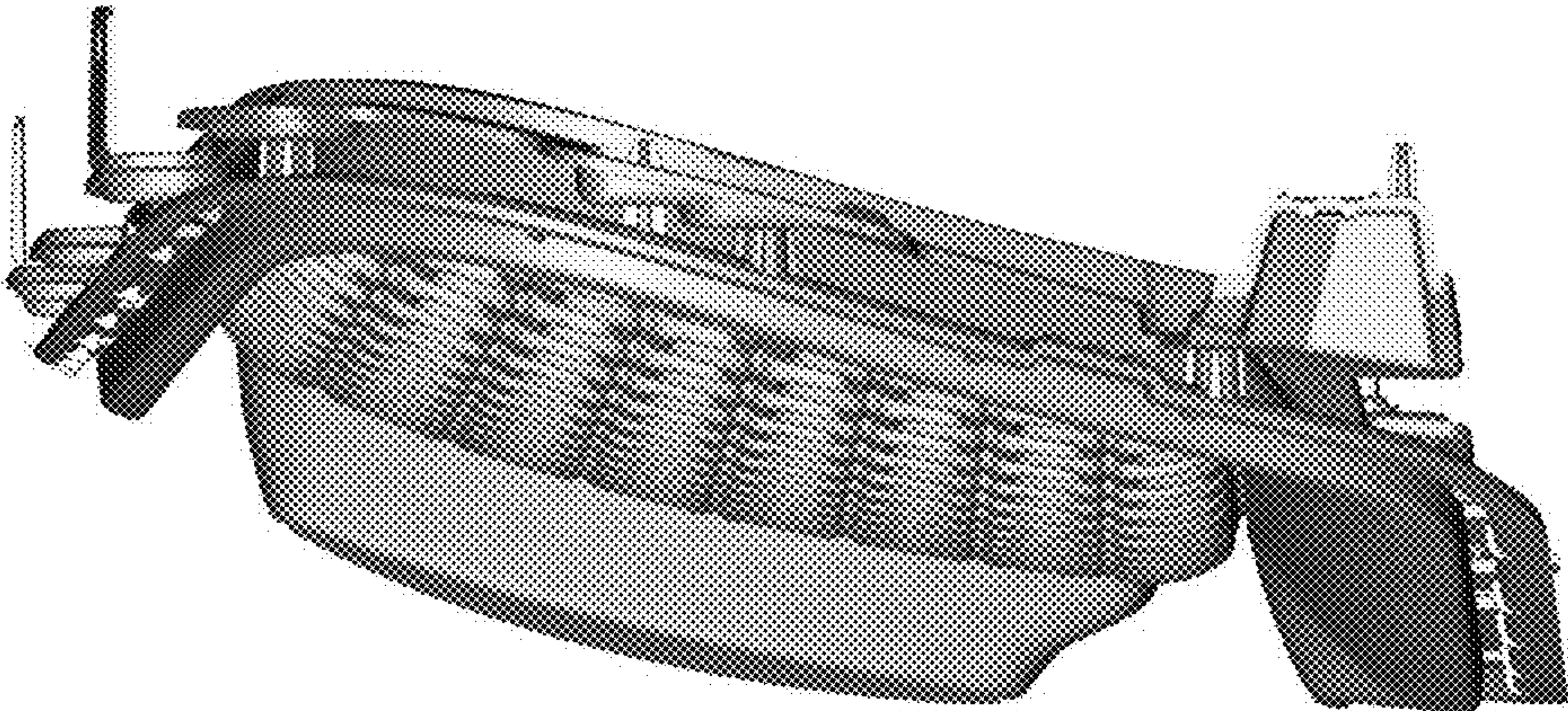


FIG. 7

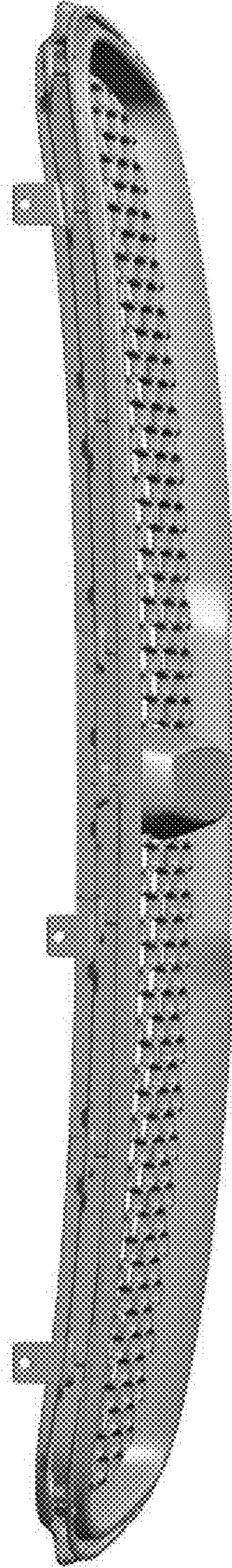


FIG. 8

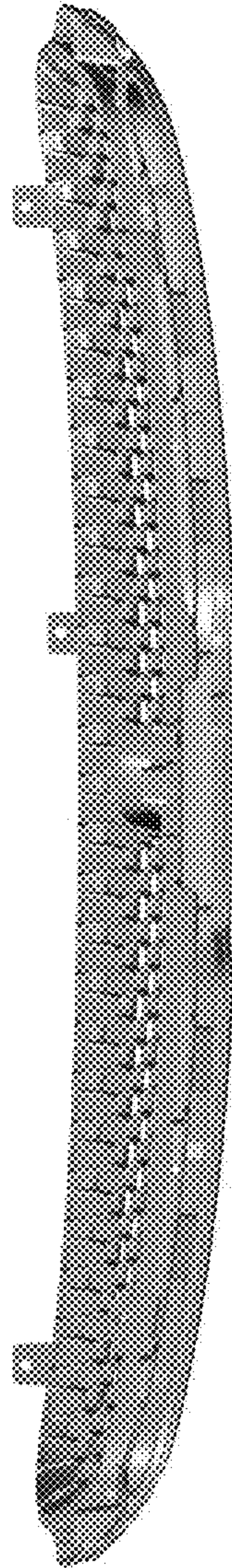


FIG. 9