



US00D788652S

(12) **United States Design Patent**
Mutsuro et al.

(10) **Patent No.:** **US D788,652 S**
(45) **Date of Patent:** **** Jun. 6, 2017**

(54) **WHEELCHAIR**

(71) Applicant: **Matsunaga Manufactory Co., Ltd.**,
Gifu (JP)

(72) Inventors: **Takashi Mutsuro**, Gifu (JP); **Noriyuki Matsunaga**, Gifu (JP)

(73) Assignee: **Matsunaga Manufactory Co., Ltd.**,
Gifu (JP)

(**) Term: **14 Years**

(21) Appl. No.: **29/523,292**

(22) Filed: **Apr. 8, 2015**

(30) **Foreign Application Priority Data**

Oct. 8, 2014 (JP) 2014-022500

(51) **LOC (10) Cl.** **12-12**

(52) **U.S. Cl.**
USPC **D12/131**

(58) **Field of Classification Search**
USPC D12/128–133
CPC A61G 5/00–5/14
See application file for complete search history.

(56) **References Cited**

U.S. PATENT DOCUMENTS

D401,191 S *	11/1998	Gagnon	D12/131
6,419,253 B1 *	7/2002	Mascari	A61G 5/1059
				280/250.1
6,578,860 B1 *	6/2003	Chang	A61G 5/00
				188/2 D
7,008,016 B1 *	3/2006	Carlo	A61G 5/107
				297/281
8,998,245 B1 *	4/2015	Anooshian	A61G 5/08
				280/649

9,050,224 B2 *	6/2015	Slorance	A61G 5/028
2007/0108721 A1 *	5/2007	Bayne	A61G 5/023
				280/244
2010/0199422 A1 *	8/2010	Patwardhan	A61G 5/006
				5/2.1
2014/0035260 A1 *	2/2014	Helterbrand	A61G 5/06
				280/650
2016/0151215 A1 *	6/2016	Golden, Jr.	A61G 5/06
				280/304.1

* cited by examiner

Primary Examiner — Charles Hanson

(74) *Attorney, Agent, or Firm* — Jeffrey D. Myers;
Peacock Myers, P.C.

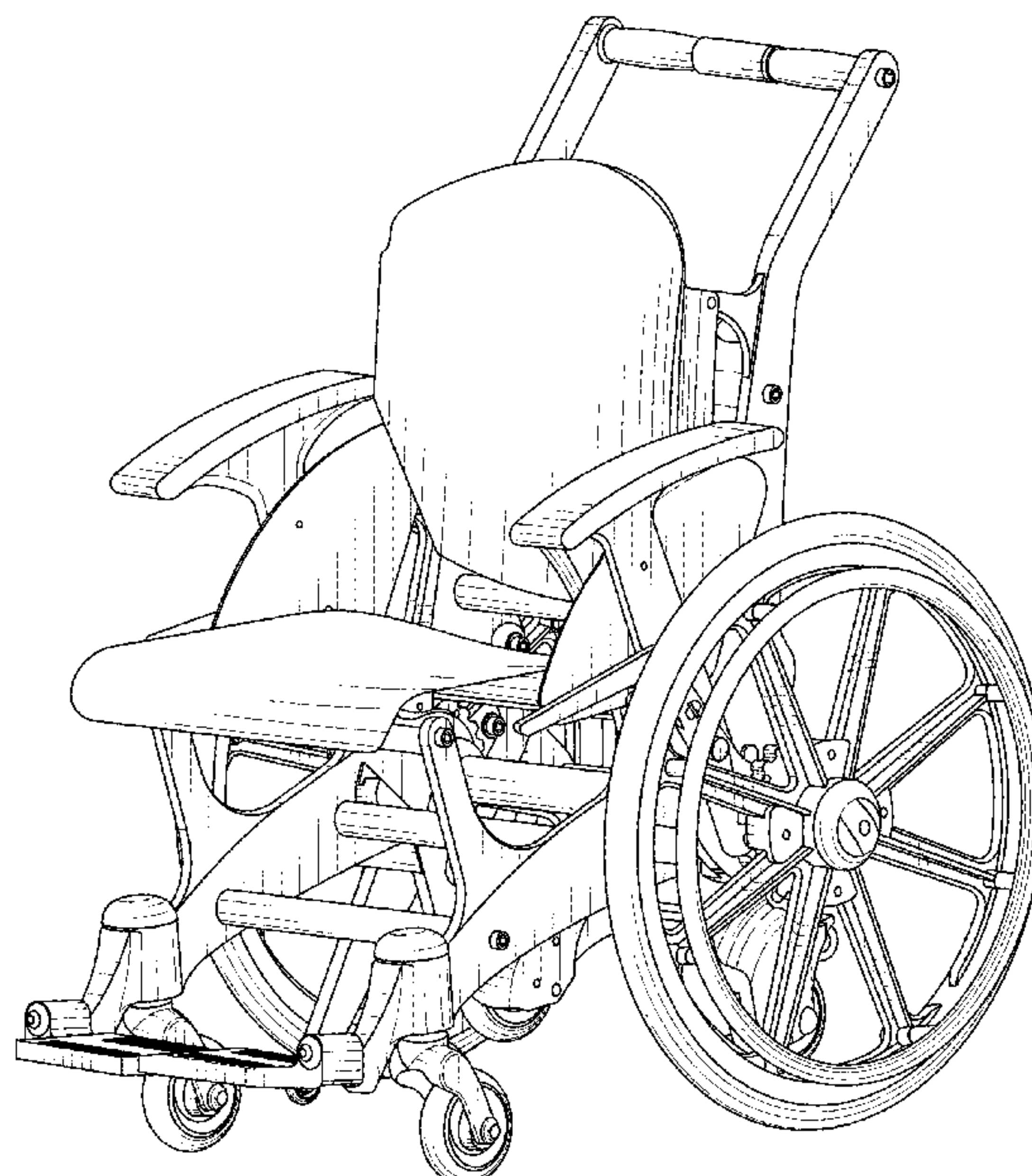
(57) **CLAIM**

The ornamental design for a wheelchair, as shown and which is preferably non-metallic and most preferably made mainly of synthetic resin, in which a chair portion with casters and wheels (motional portions) with armrests are detachably linked by a shaft. The wheels of the invention are removable so that the invention may be pushed smoothly on the casters in the aisles of an aircraft, train, etc., by a caregiver.

DESCRIPTION

FIG. 1 is a perspective view of the wheelchair embodying our new design;
FIG. 2 is a front view of the wheelchair;
FIG. 3 is a left side view of the wheelchair;
FIG. 4 is a top plan view of the wheelchair;
FIG. 5 is a cross-sectional view of FIG. 4 of the wheelchair;
FIG. 6 is an exploded perspective view of the wheelchair;
and,
FIG. 7 is an exploded sectional view of FIG. 6 of the wheelchair.

1 Claim, 7 Drawing Sheets



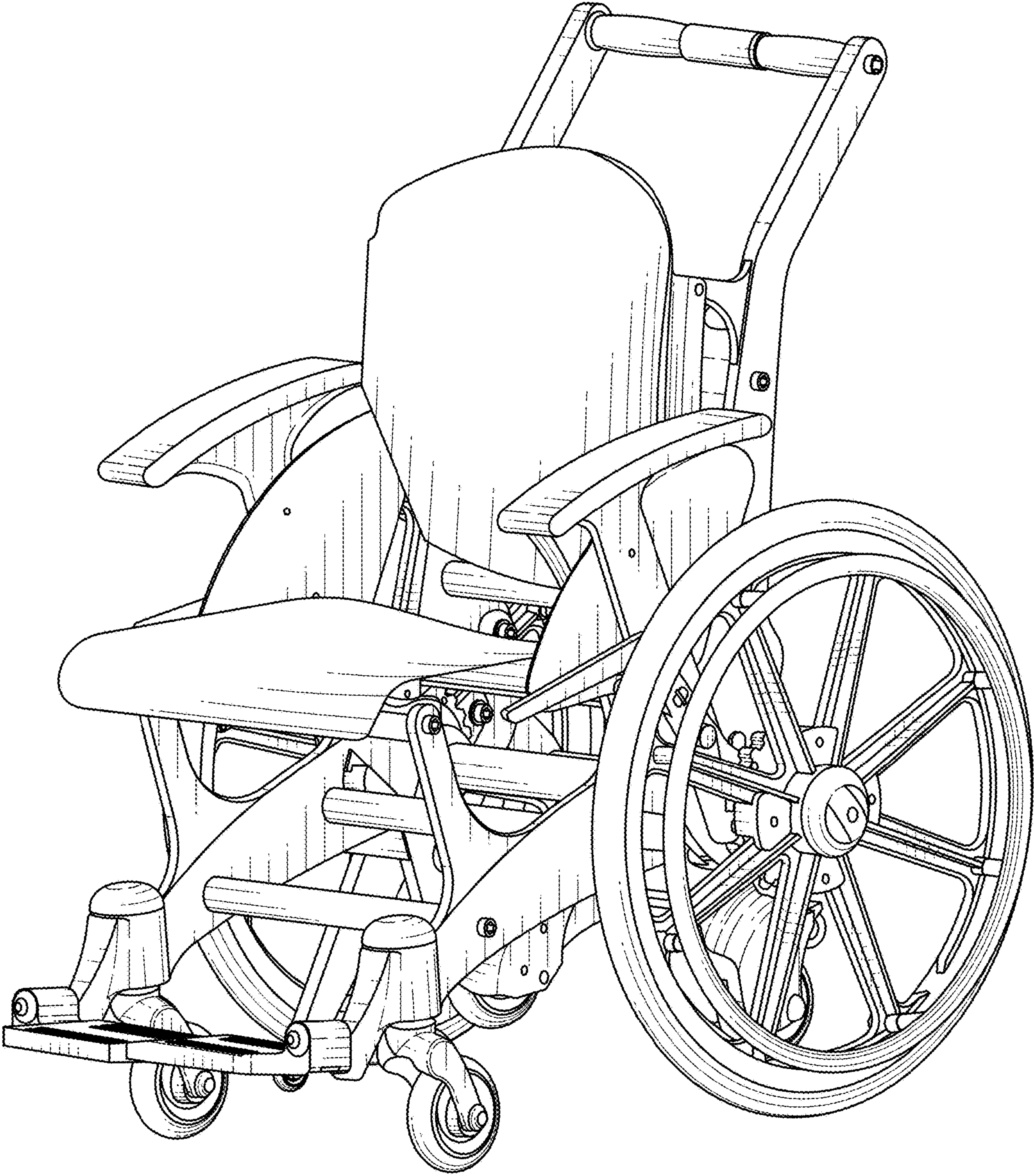


FIG. 1

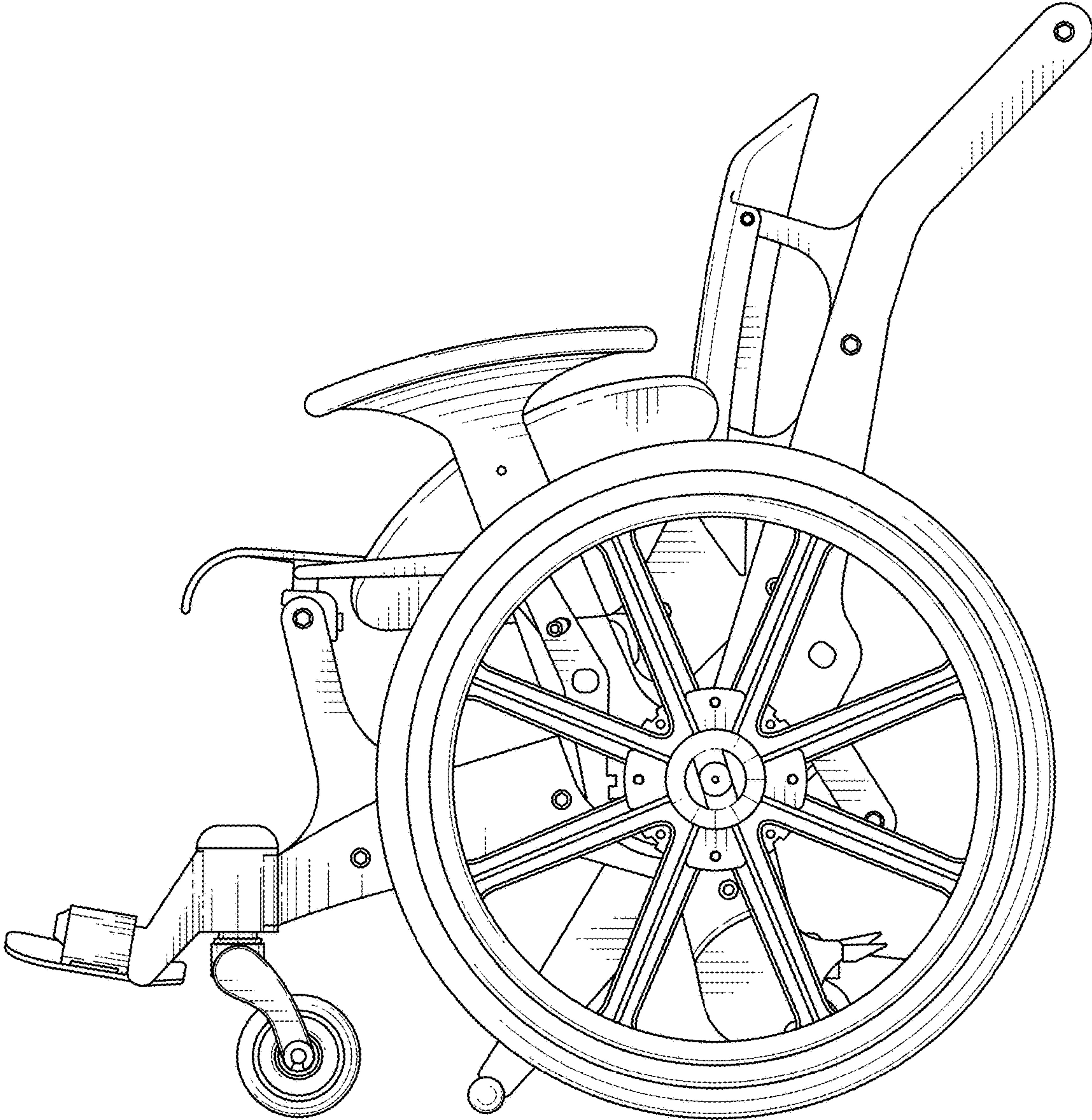


FIG. 2

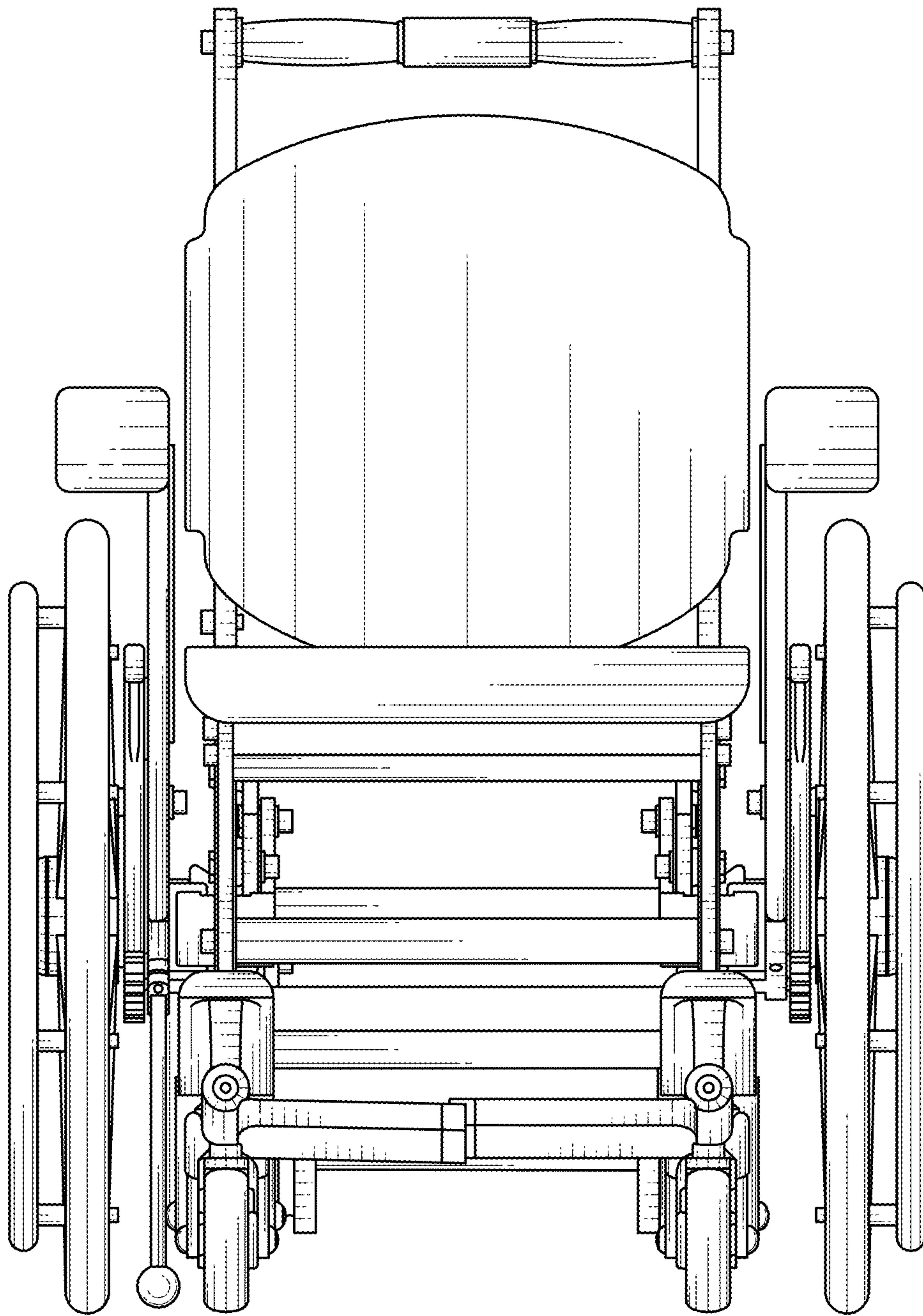


FIG. 3

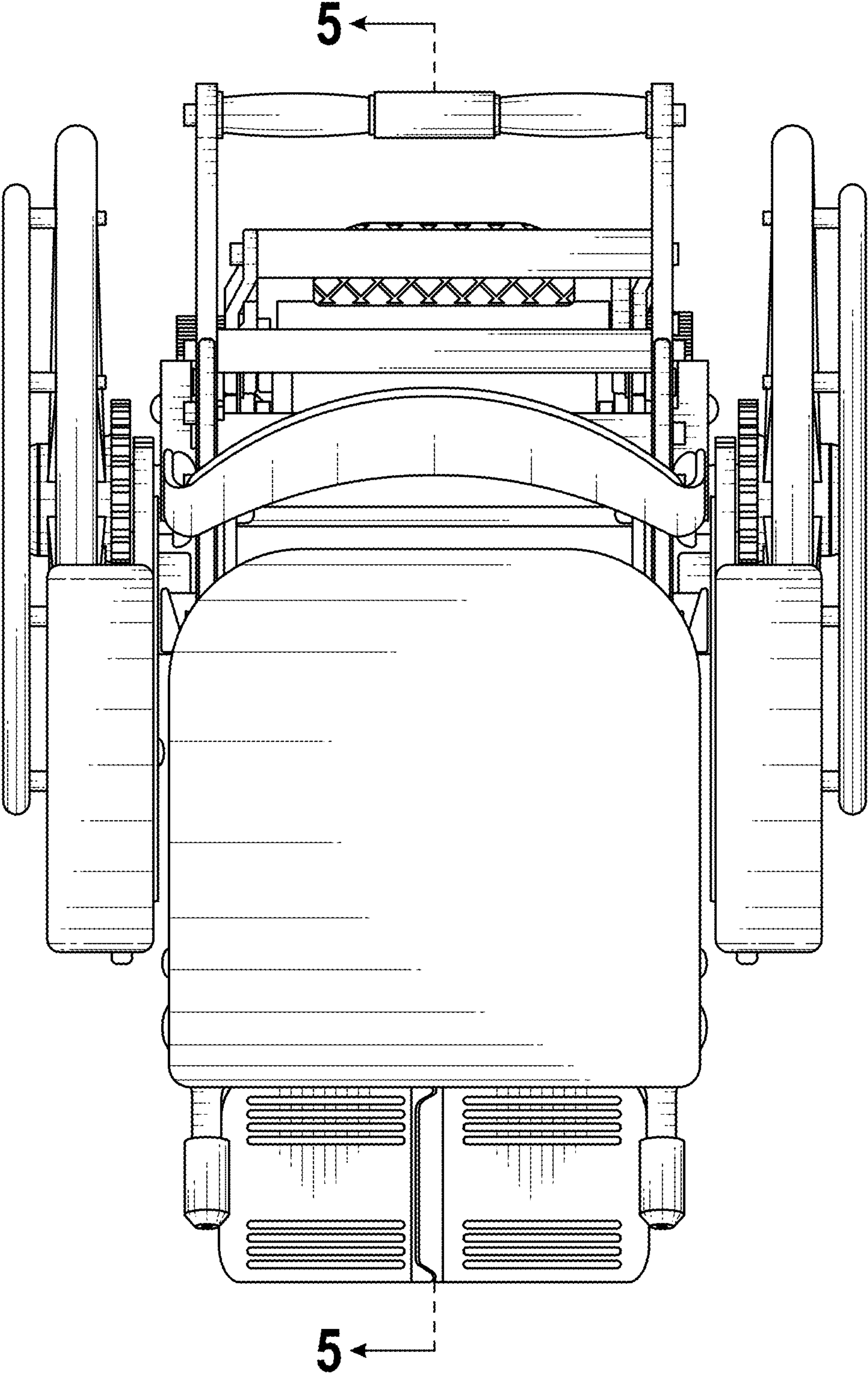


FIG. 4

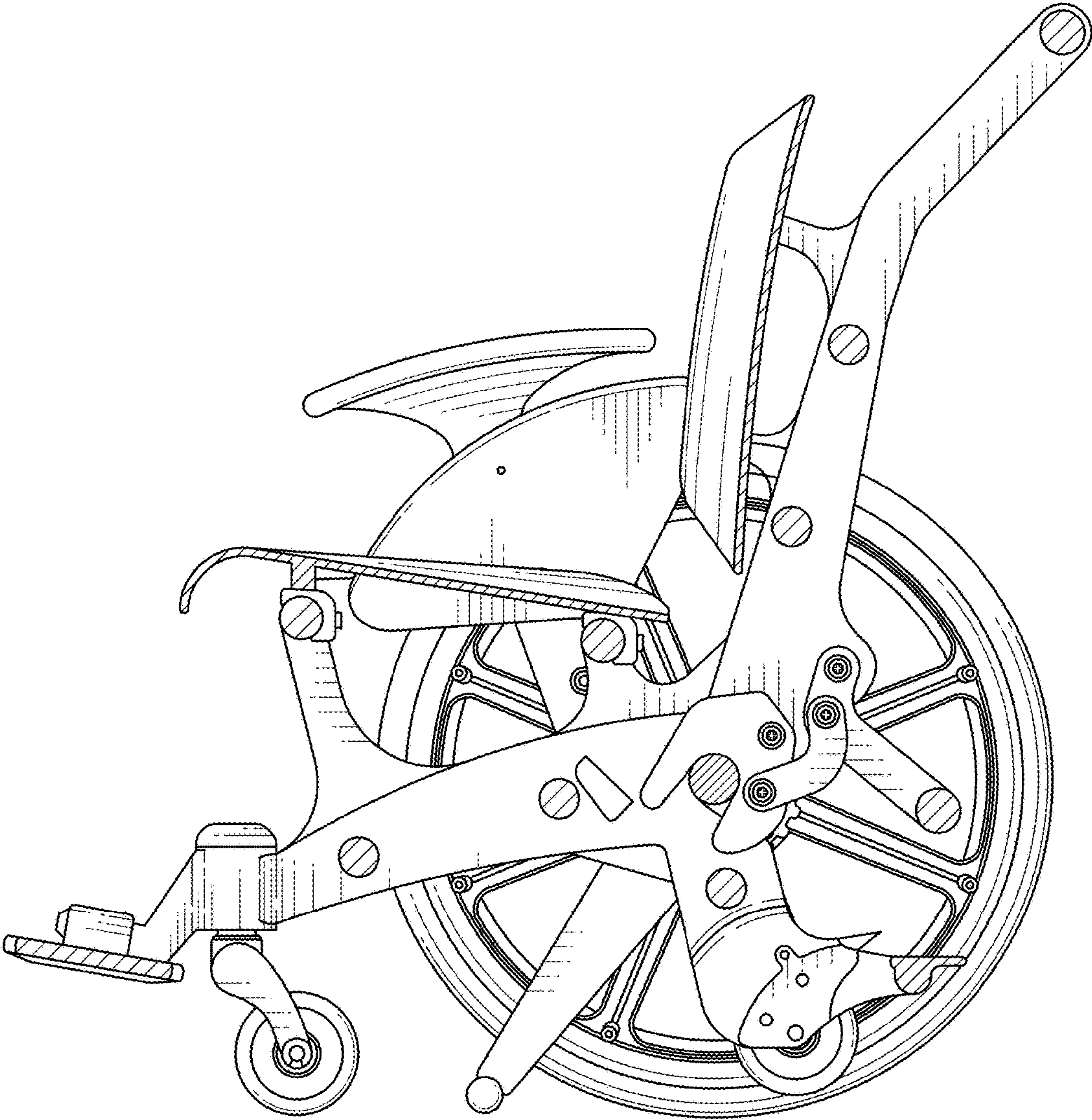


FIG. 5

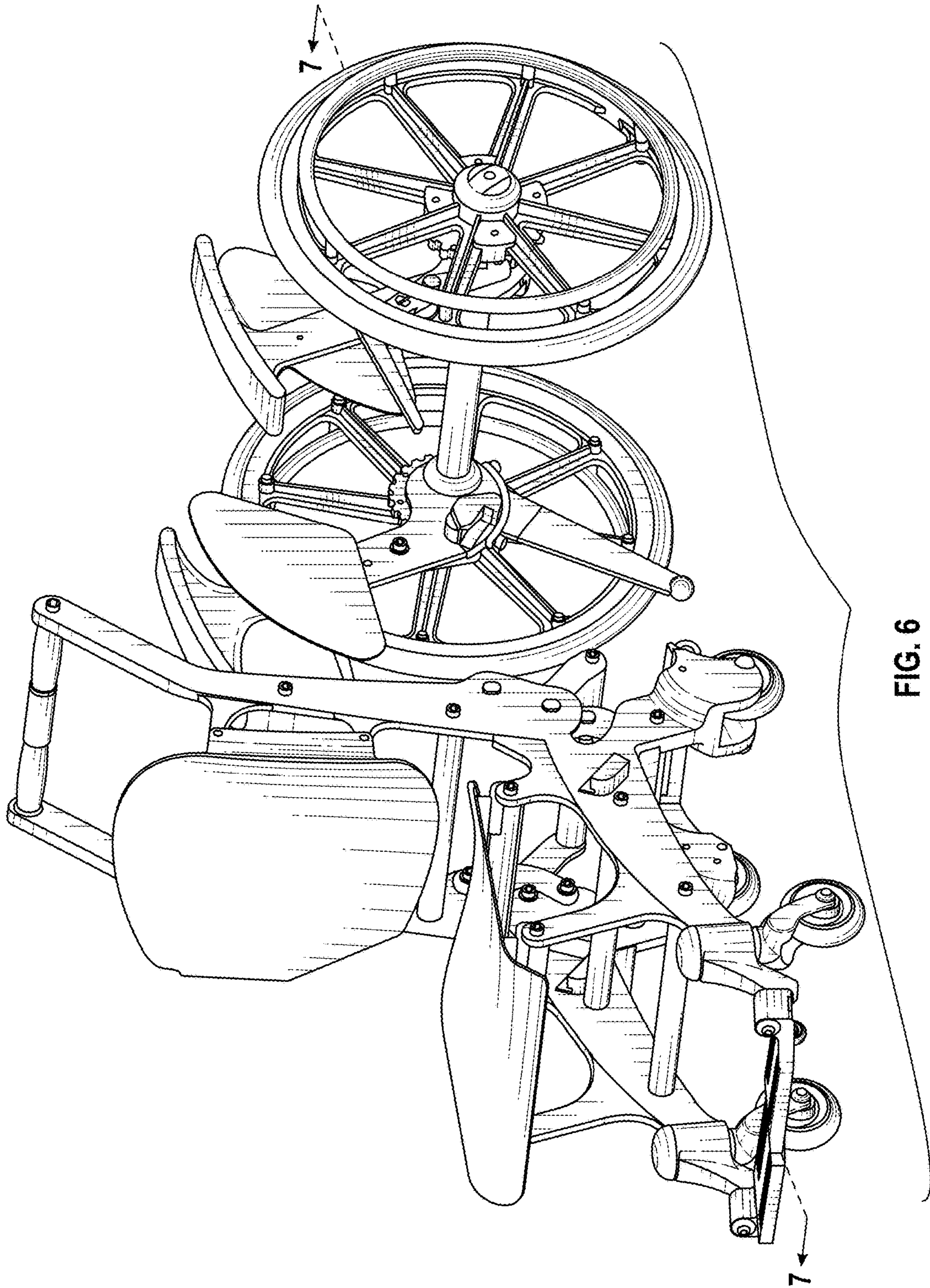


FIG. 6

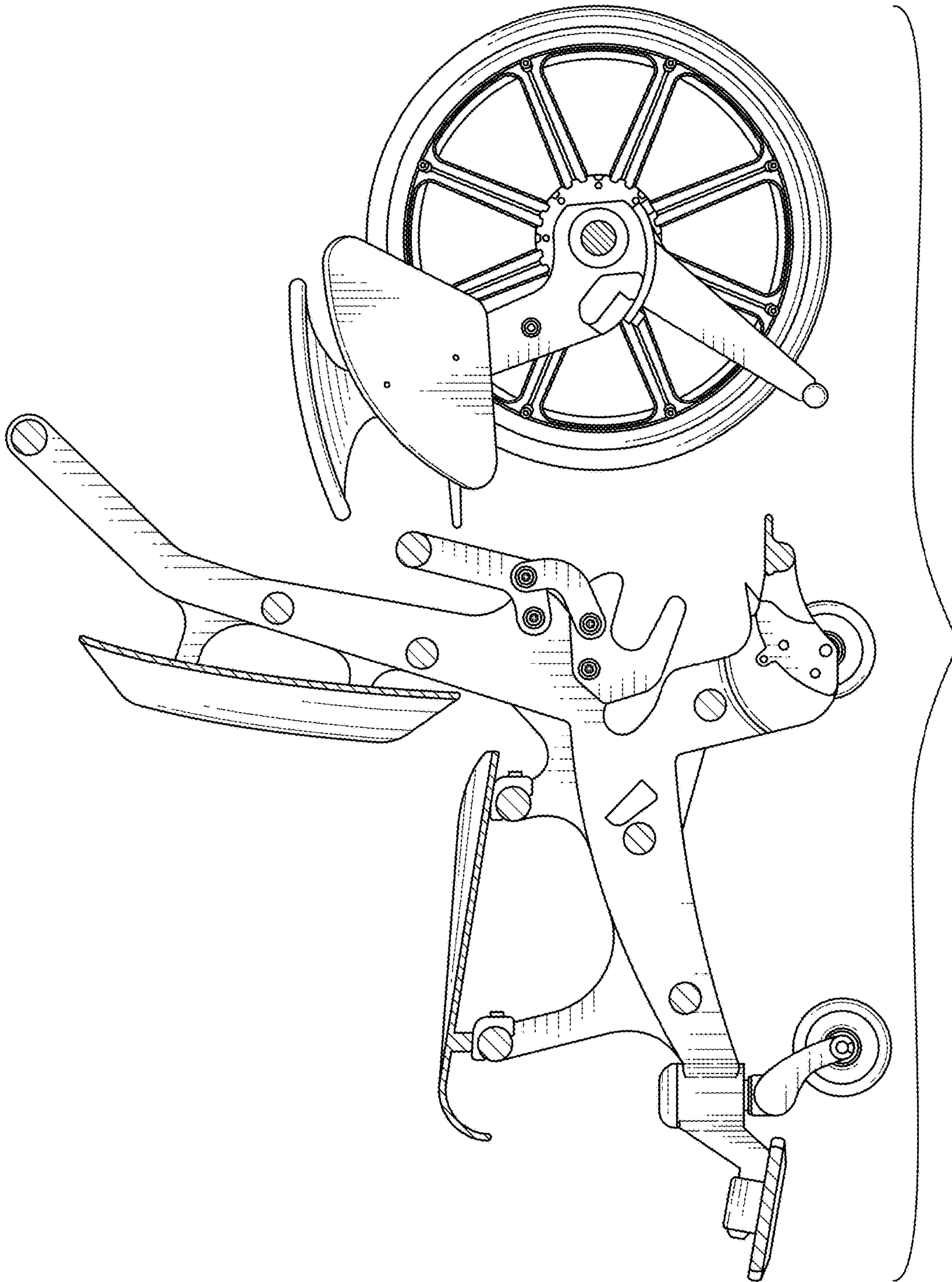


FIG. 7