



US00D788651S

(12) **United States Design Patent**  
**Grasselli**

(10) **Patent No.:** **US D788,651 S**

(45) **Date of Patent:** **\*\* Jun. 6, 2017**

(54) **BABY WALKER**

(71) Applicant: **ARTSANA S.P.A.**, Grandate (CO) (IT)

(72) Inventor: **Andrea Grasselli**, Como (IT)

(73) Assignee: **ARTSANA S.P.A.**, Grandate (IT)

(\*\*) Term: **15 Years**

(21) Appl. No.: **29/557,362**

(22) Filed: **Mar. 8, 2016**

(30) **Foreign Application Priority Data**

Sep. 9, 2015 (EM) ..... 002768705

(51) **LOC (10) Cl.** ..... **12-12**

(52) **U.S. Cl.**  
USPC ..... **D12/130**

(58) **Field of Classification Search**  
USPC ..... D12/128-133; D21/421  
CPC .... A47D 13/043; A47D 13/107; A47D 13/04;  
A47D 13/005; A47D 3/00  
See application file for complete search history.

(56) **References Cited**

**U.S. PATENT DOCUMENTS**

- 6,231,056 B1 \* 5/2001 Wu ..... A47D 1/02  
280/1.188
- D445,143 S \* 7/2001 Bellows ..... D12/130
- D451,052 S \* 11/2001 Lu ..... D12/130
- D466,843 S \* 12/2002 Paesang ..... D12/130
- D475,325 S \* 6/2003 Wu ..... D12/133
- 6,863,287 B2 \* 3/2005 Myers ..... A47D 13/043  
135/67
- D587,764 S \* 3/2009 Cheng ..... D12/130
- D612,302 S \* 3/2010 Cheng ..... D12/133

- D627,009 S \* 11/2010 Lu ..... D12/130
- D630,259 S \* 1/2011 Lu ..... D12/130
- D679,337 S \* 4/2013 Lai ..... D12/133
- D702,599 S \* 4/2014 Lu ..... D12/130
- 2003/0184036 A1 \* 10/2003 Wu ..... A47D 15/00  
280/87.051

\* cited by examiner

*Primary Examiner* — Charles Hanson

(74) *Attorney, Agent, or Firm* — Pearne & Gordon LLP

(57) **CLAIM**

The ornamental design for a baby walker, as shown and described.

**DESCRIPTION**

FIG. 1 is a back-right perspective view of a first embodiment of a baby walker, showing my new design;  
 FIG. 2 is a front view thereof;  
 FIG. 3 is a right side view thereof;  
 FIG. 4 is a left side view thereof;  
 FIG. 5 is a back view thereof;  
 FIG. 6 is a top view thereof;  
 FIG. 7 is a bottom view thereof;  
 FIG. 8 is a back-right perspective view of a second embodiment of a baby walker according to the invention;  
 FIG. 9 is a front view thereof;  
 FIG. 10 is a right side view thereof;  
 FIG. 11 is a left side view thereof;  
 FIG. 12 is a back view thereof;  
 FIG. 13 is a top view thereof; and,  
 FIG. 14 is a bottom view thereof.

**1 Claim, 14 Drawing Sheets**





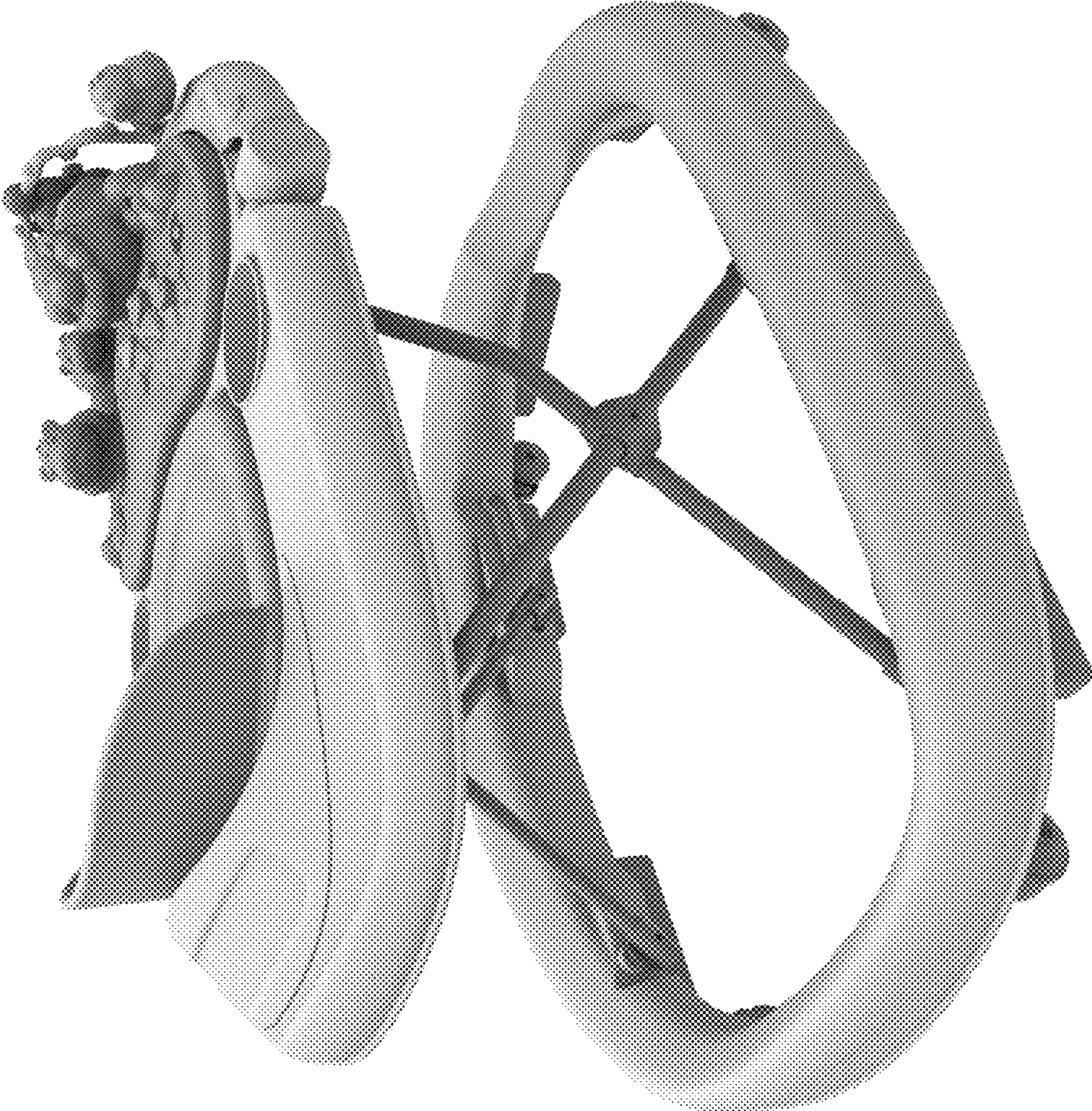


FIG. 1



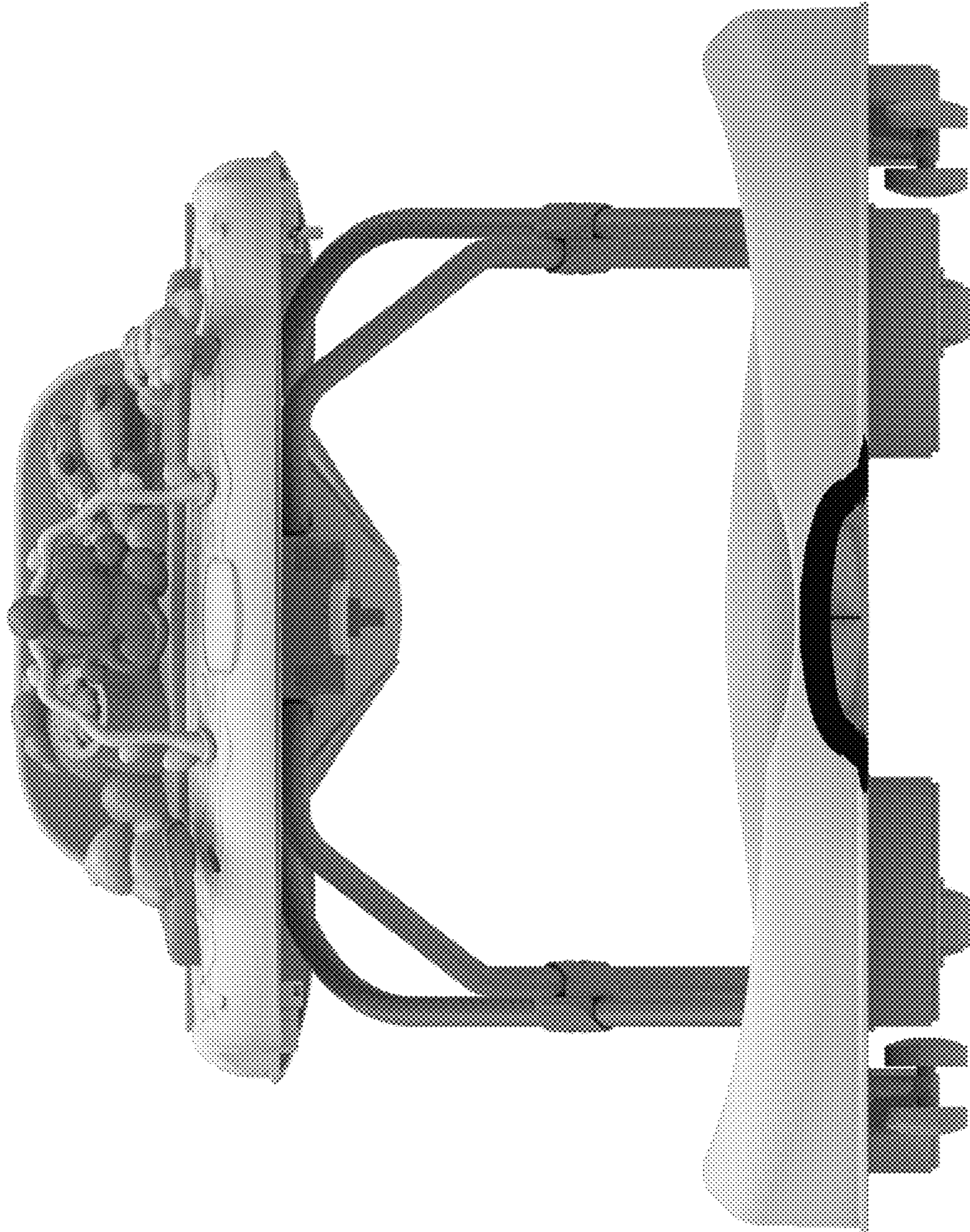


FIG. 2





FIG. 3



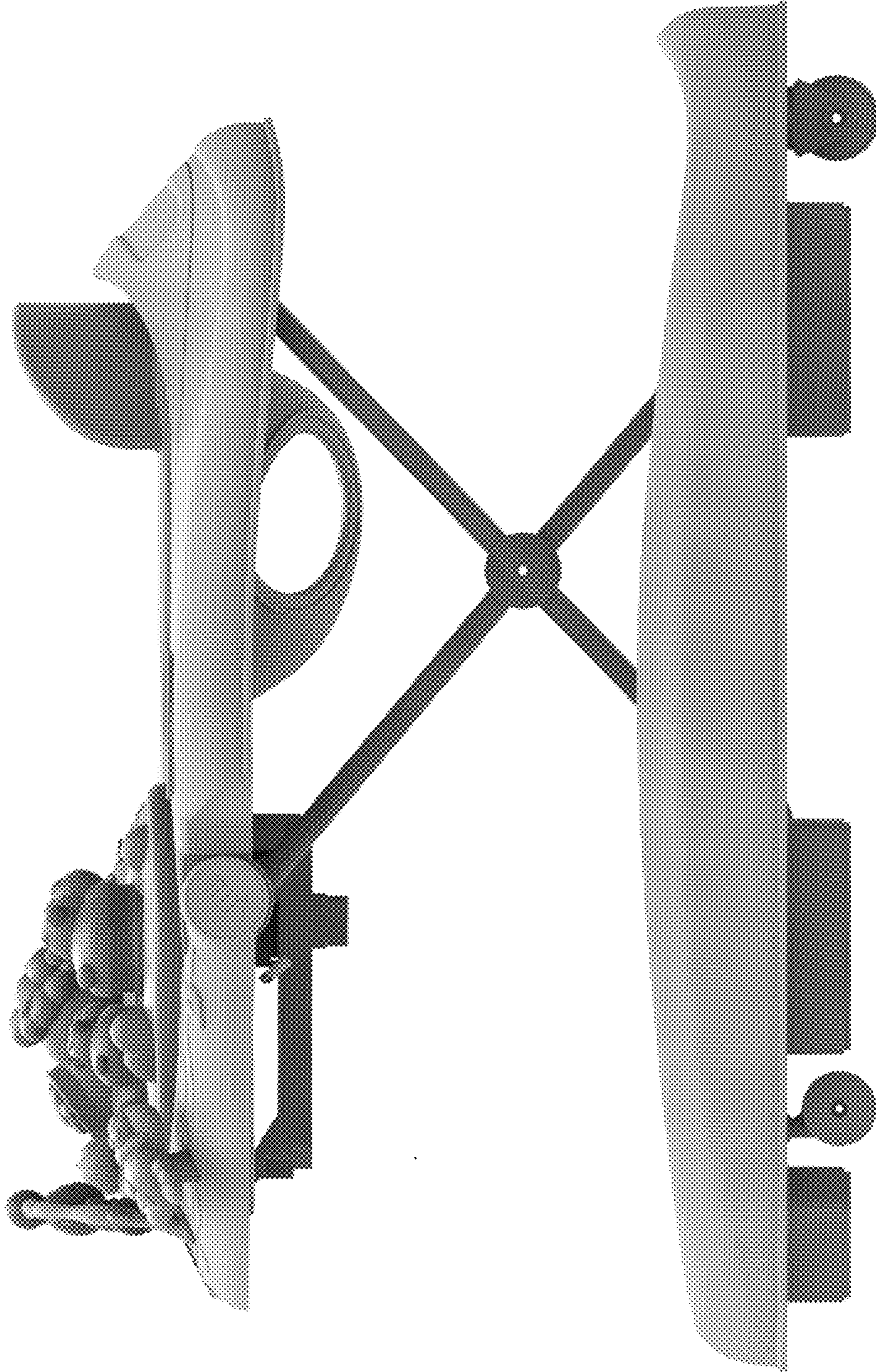


FIG. 4



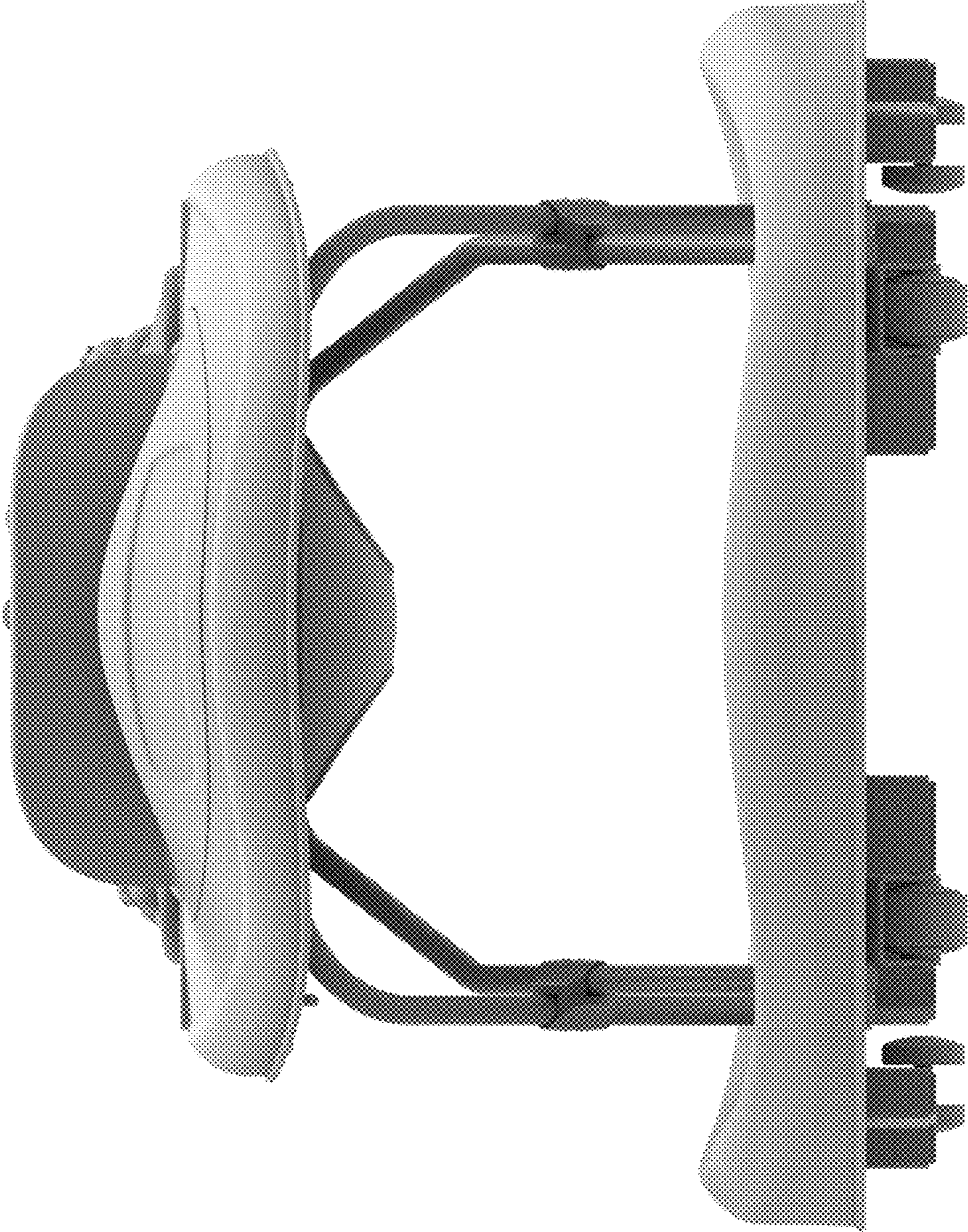


FIG. 5



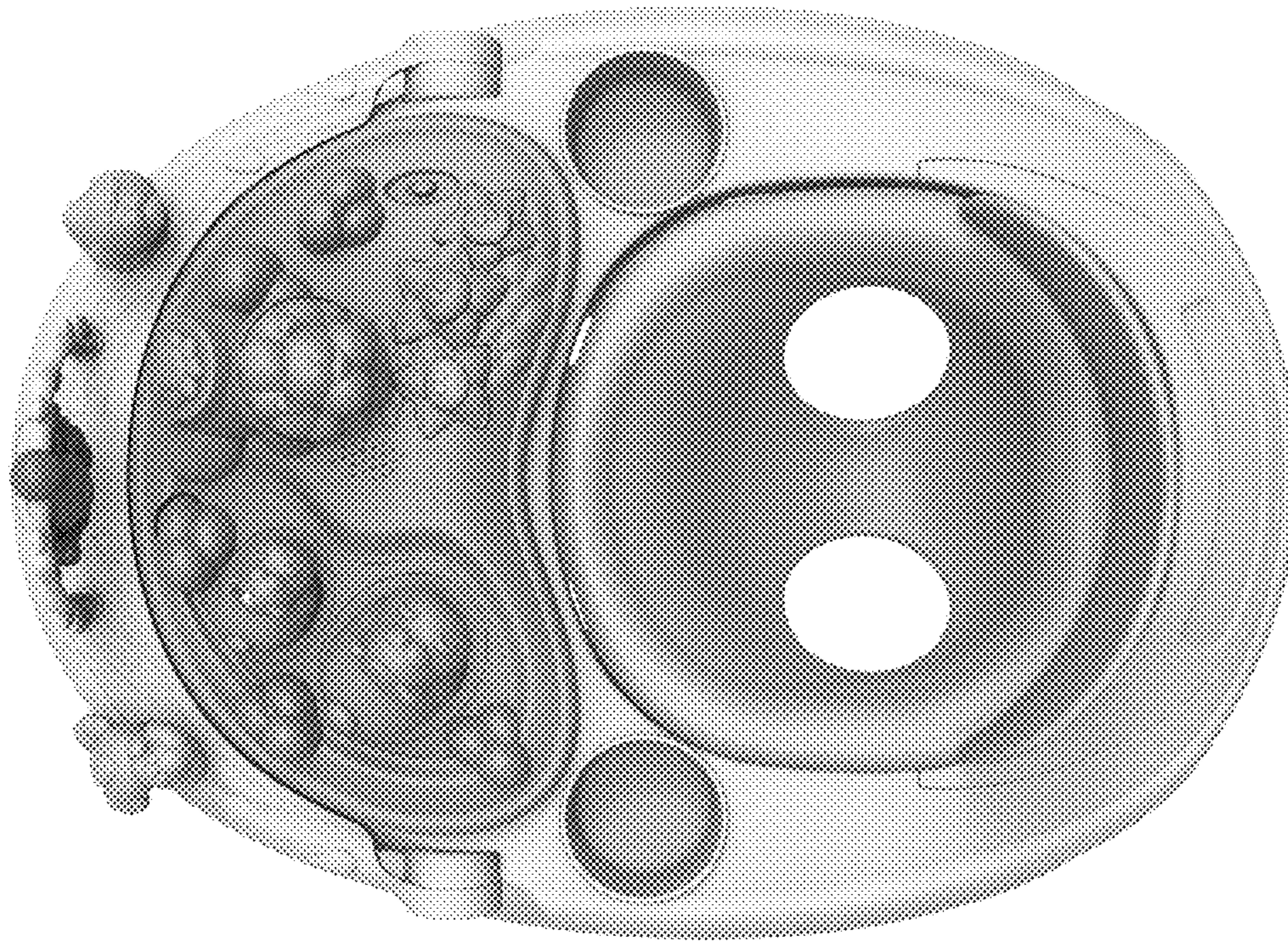


FIG. 6



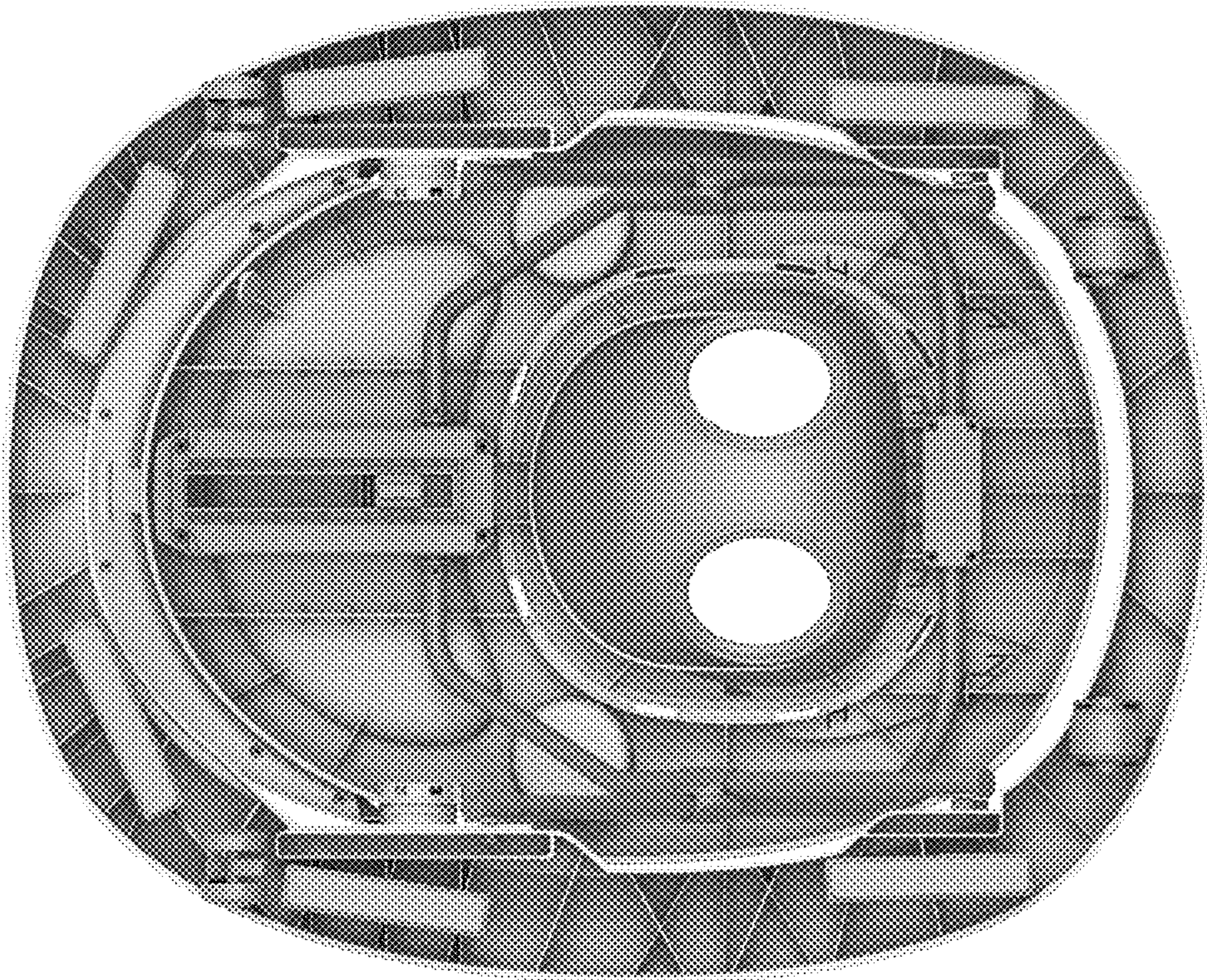


FIG. 7



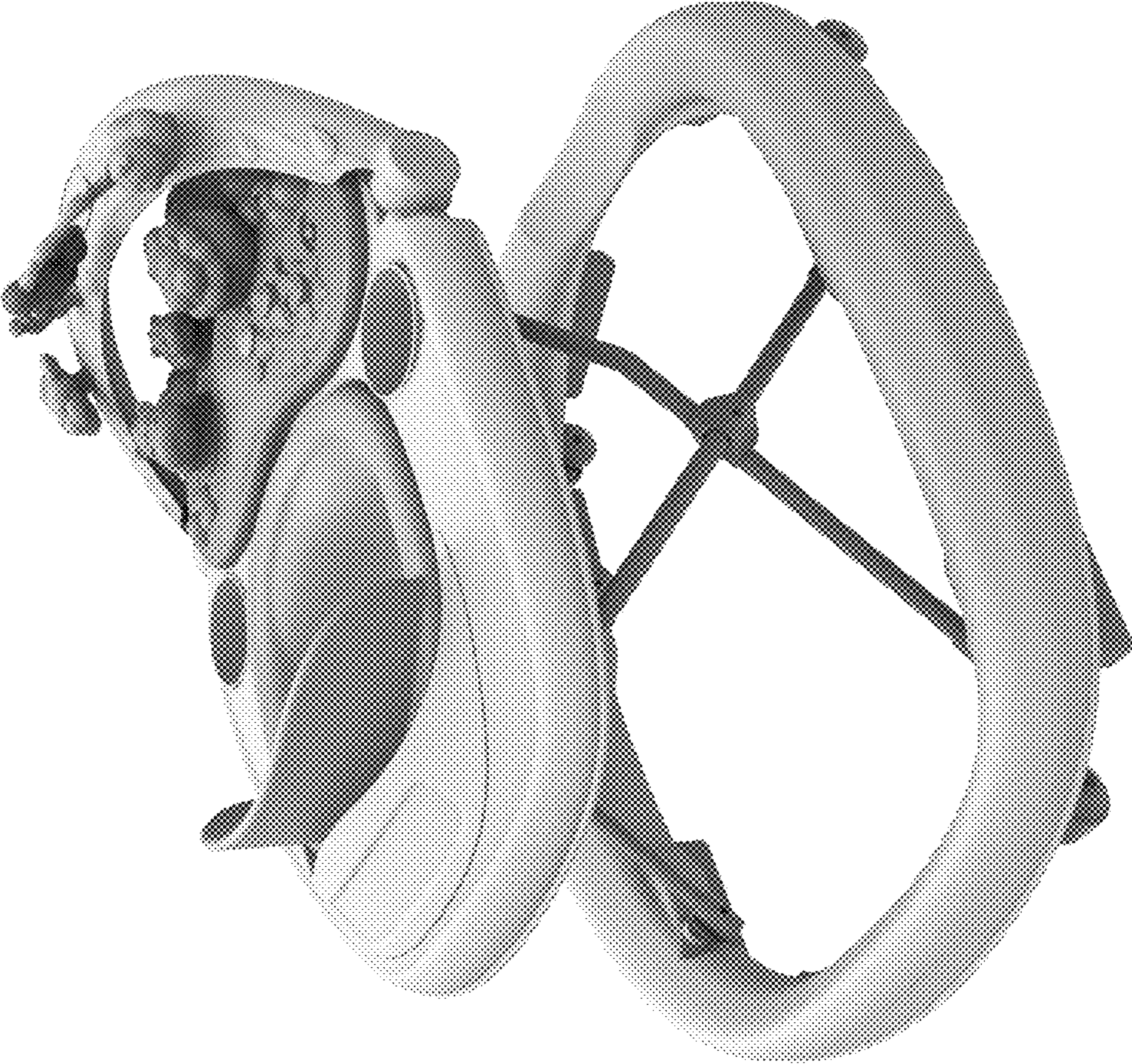


FIG. 8



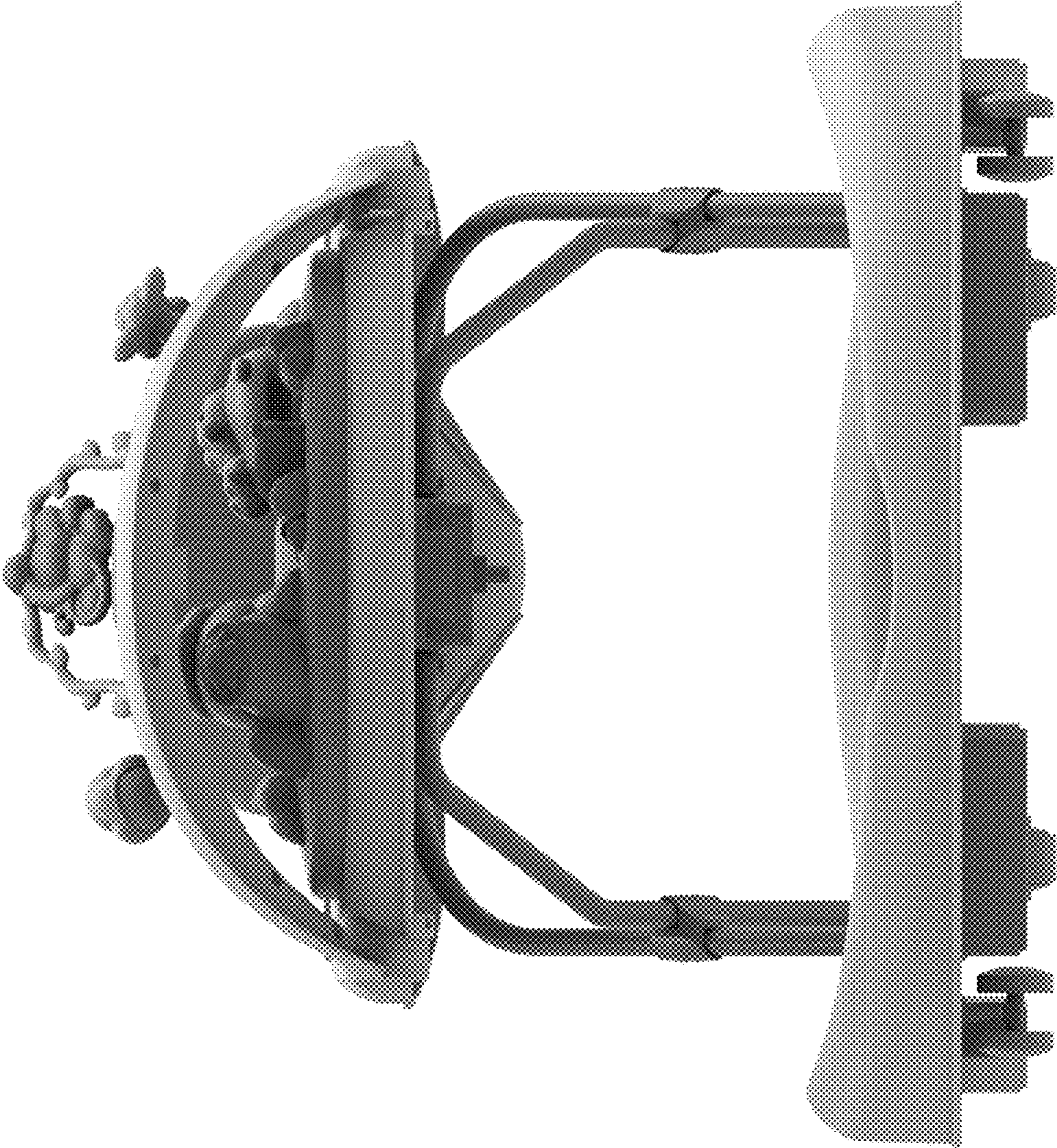


FIG. 9



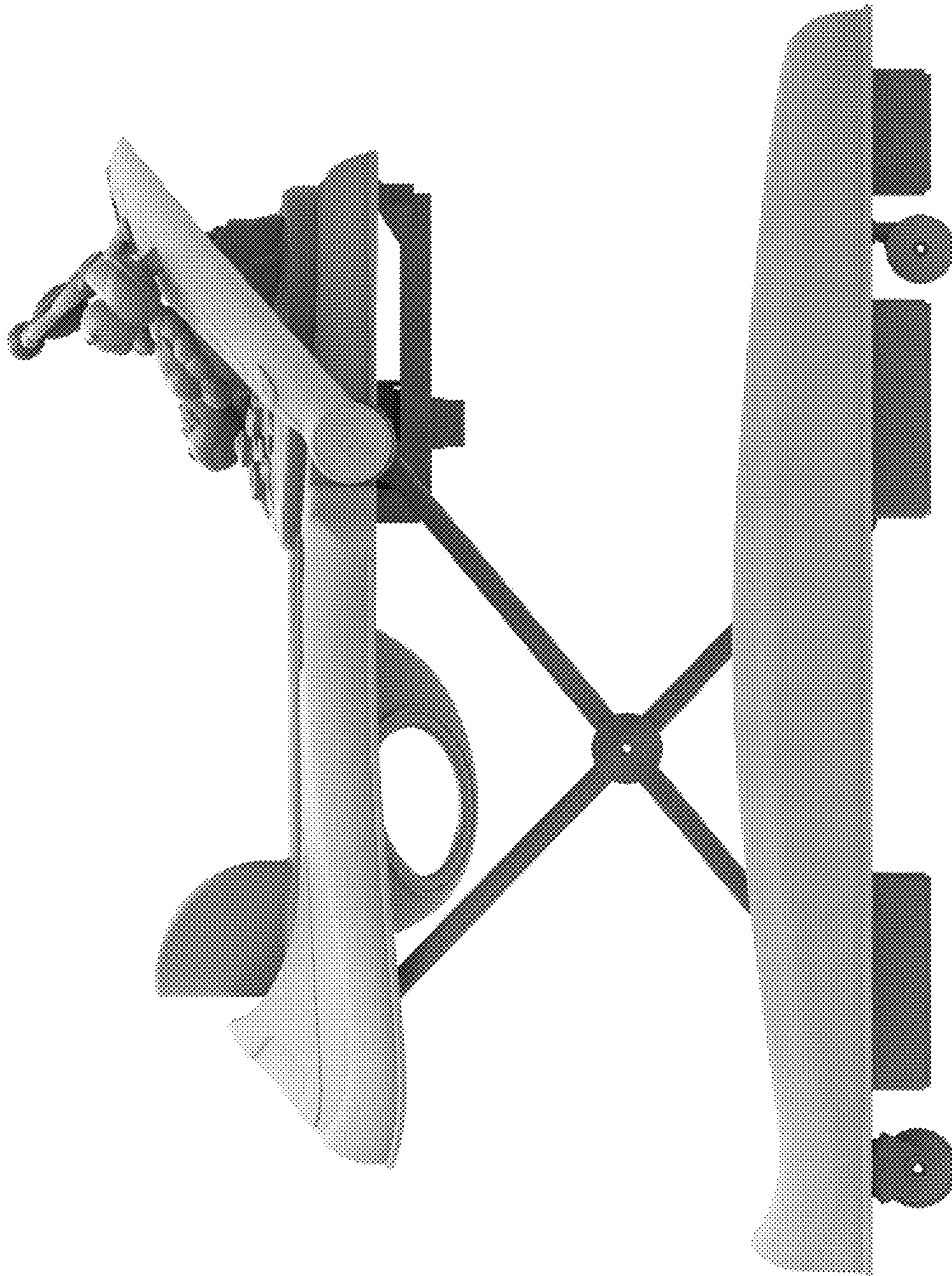


FIG. 10



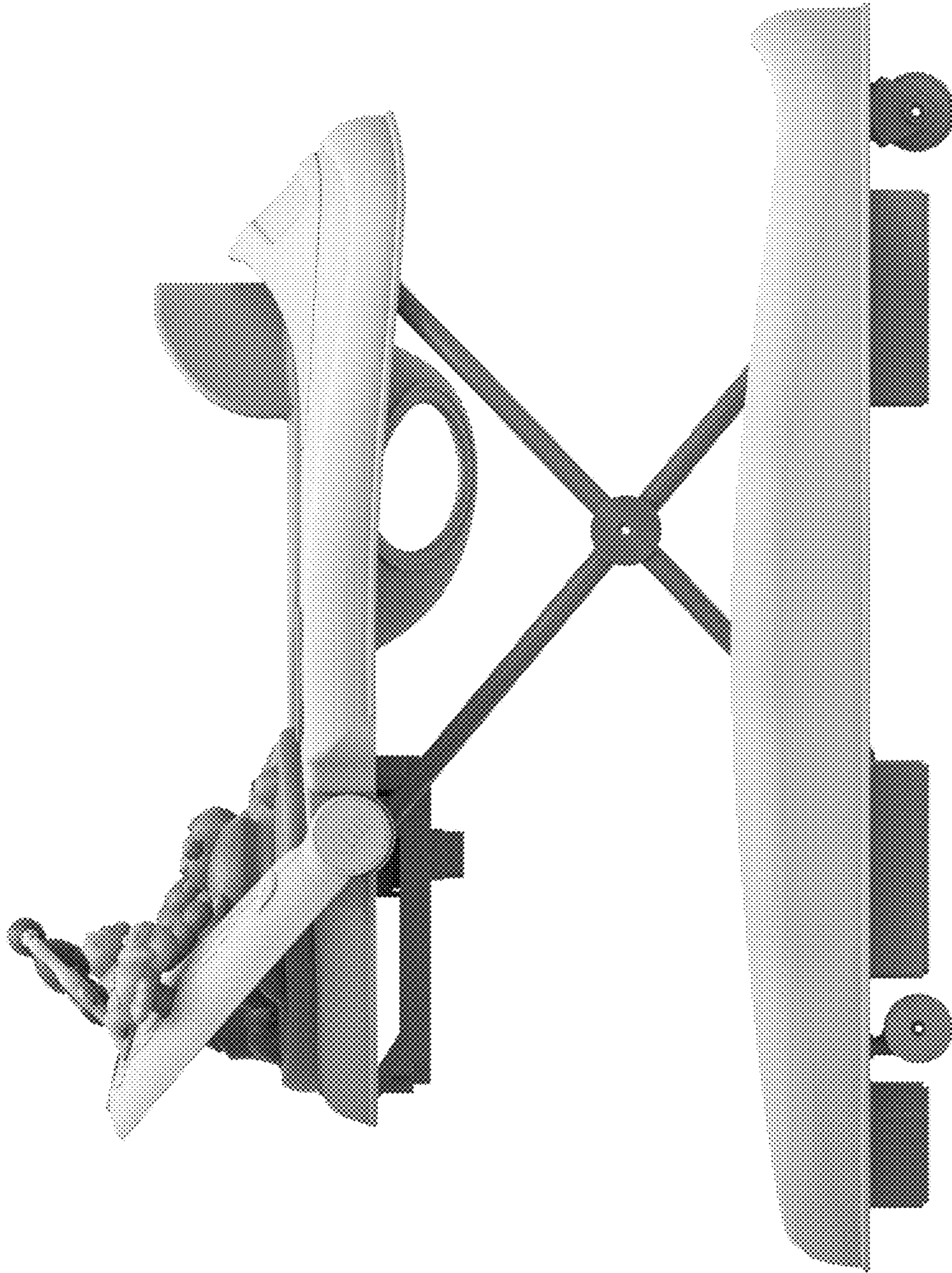


FIG. 11



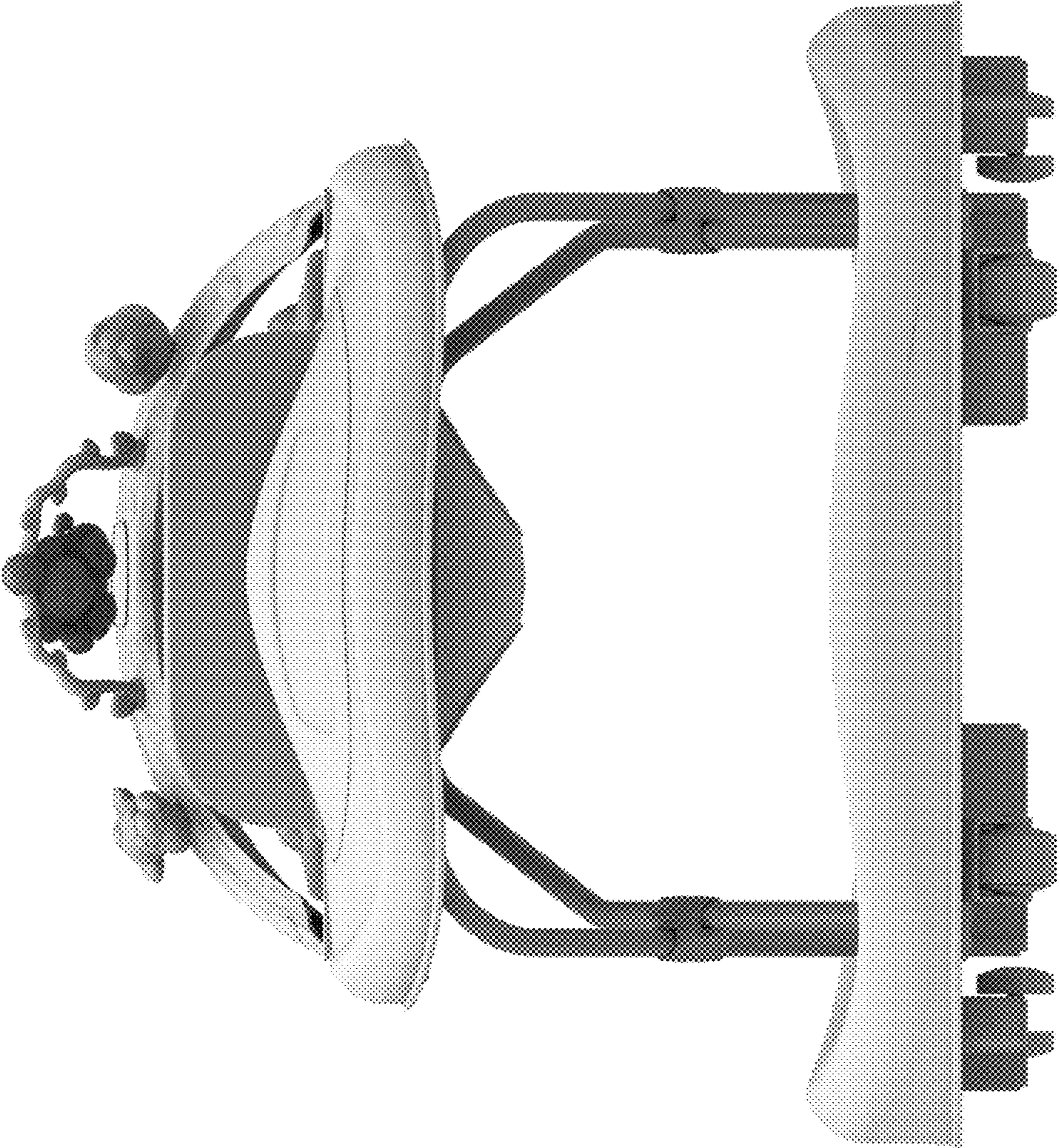


FIG. 12



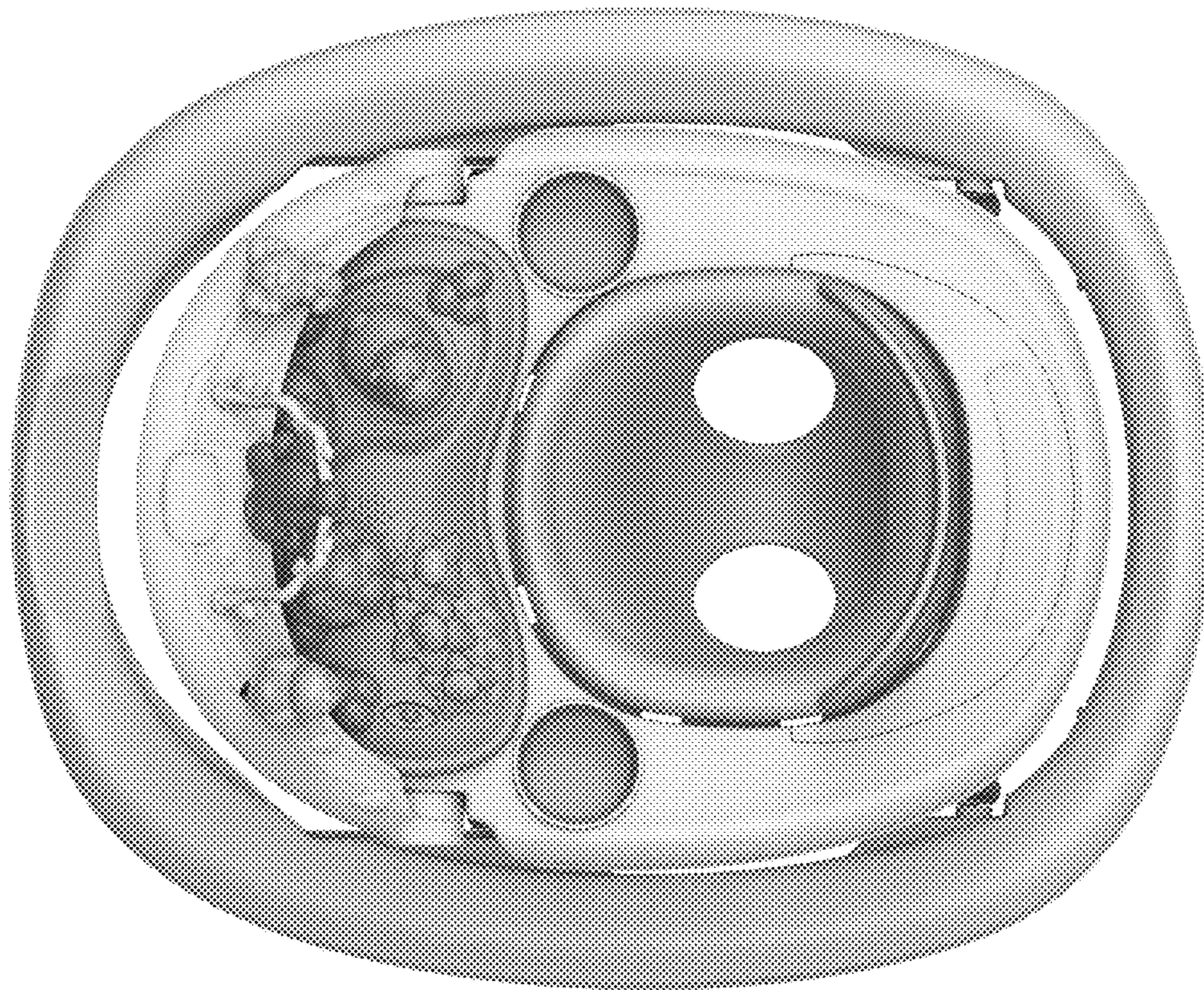


FIG. 13



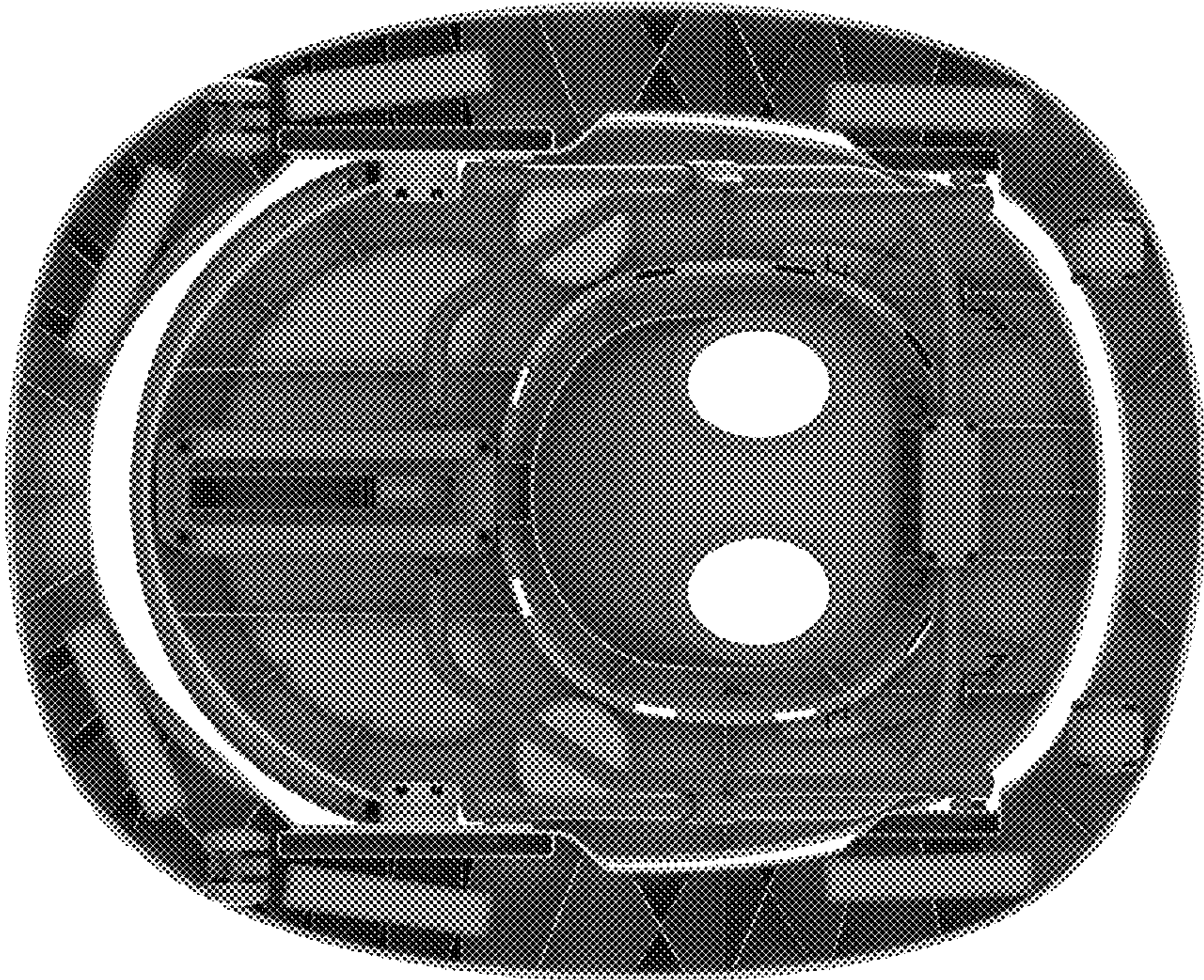


FIG. 14