



US00D788649S

(12) **United States Design Patent**  
**Chang et al.**

(10) **Patent No.:** **US D788,649 S**

(45) **Date of Patent:** **\*\* Jun. 6, 2017**

(54) **MOTORCYCLE**

(71) Applicants: **Liang Chang**, Fontana, CA (US); **Xin Hua Chen**, Fontana, CA (US)

(72) Inventors: **Liang Chang**, Fontana, CA (US); **Xin Hua Chen**, Fontana, CA (US)

(\*\*) Term: **15 Years**

(21) Appl. No.: **29/546,551**

(22) Filed: **Nov. 24, 2015**

(51) **LOC (10) Cl.** ..... **12-11**

(52) **U.S. Cl.**  
USPC ..... **D12/110**

(58) **Field of Classification Search**  
USPC ..... D12/110, 111, 117; D21/432, 538;  
180/219, 220, 225, 229  
CPC ..... B62K 11/00; B62K 11/02; B62K 11/04;  
B62K 11/10; B62K 17/00; B62K 19/00;  
B62K 2202/00  
See application file for complete search history.

(56) **References Cited**

**U.S. PATENT DOCUMENTS**

D432,952 S \* 10/2000 Scruggs ..... D12/110  
D453,489 S \* 2/2002 Wallace ..... D12/110

D480,993 S \* 10/2003 James ..... D12/110  
D504,358 S \* 4/2005 Miller, Jr. .... D12/110  
D504,360 S \* 4/2005 Sramek ..... D12/111  
D504,846 S \* 5/2005 Sramek ..... D12/111  
7,497,455 B2 \* 3/2009 Kamalian ..... B62K 11/04  
280/274  
D596,084 S \* 7/2009 Wu ..... D12/110  
D644,149 S \* 8/2011 Marchand ..... D12/110  
D666,529 S \* 9/2012 Renner ..... D12/110

\* cited by examiner

*Primary Examiner* — Darlington Ly

(74) *Attorney, Agent, or Firm* — Raymond Y. Chan;  
David and Raymond Patent Firm

(57) **CLAIM**

The ornamental design for a motorcycle, as shown and described.

**DESCRIPTION**

FIG. 1 is a top, front, and right side perspective view of a motorcycle showing our new design;  
FIG. 2 is a front elevation view thereof;  
FIG. 3 is a rear elevation view thereof;  
FIG. 4 is a left side elevation view thereof;  
FIG. 5 is a right side elevation view thereof; and,  
FIG. 6 is a top plan view thereof.

**1 Claim, 4 Drawing Sheets**





FIG.1

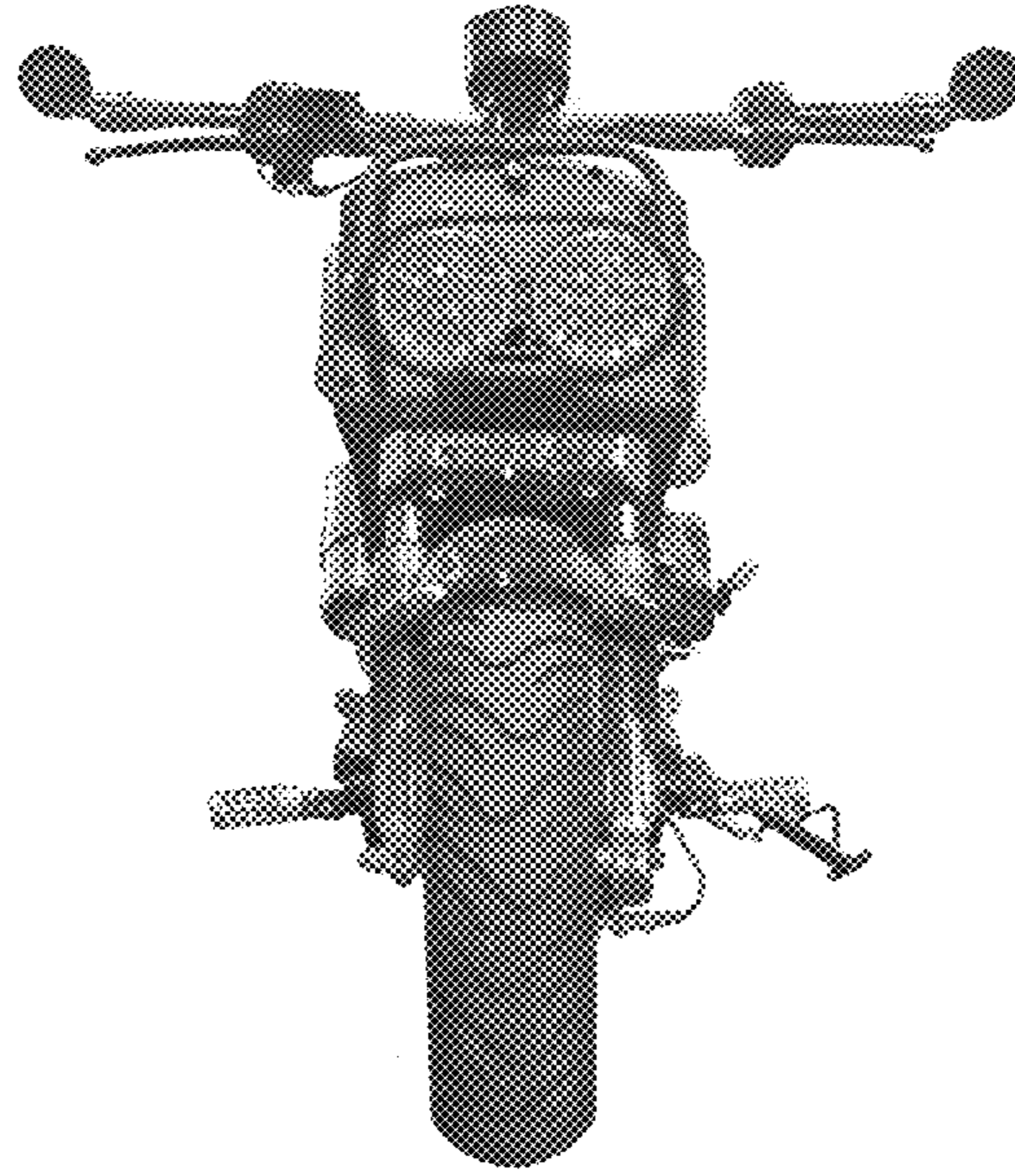


FIG. 2

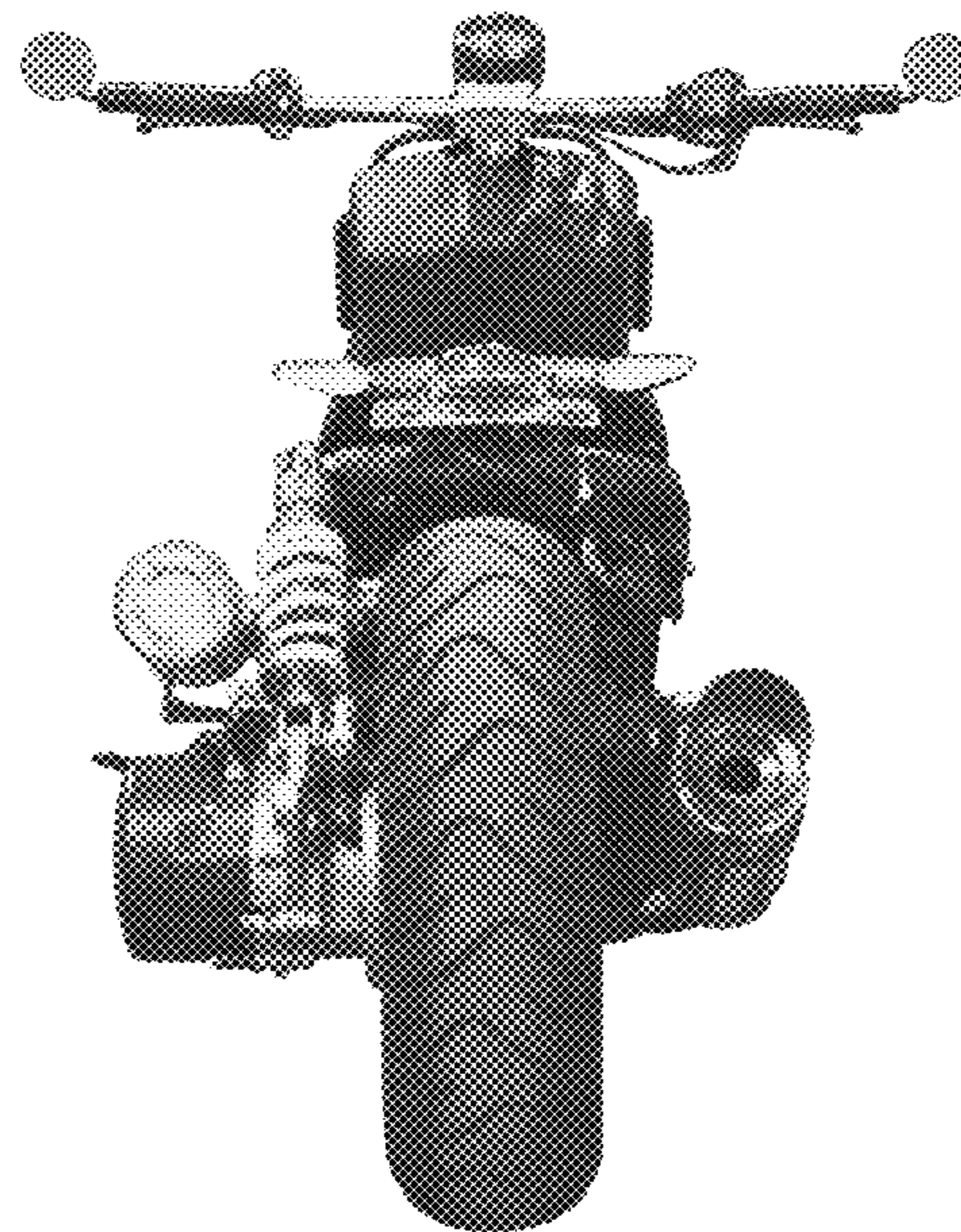


FIG. 3

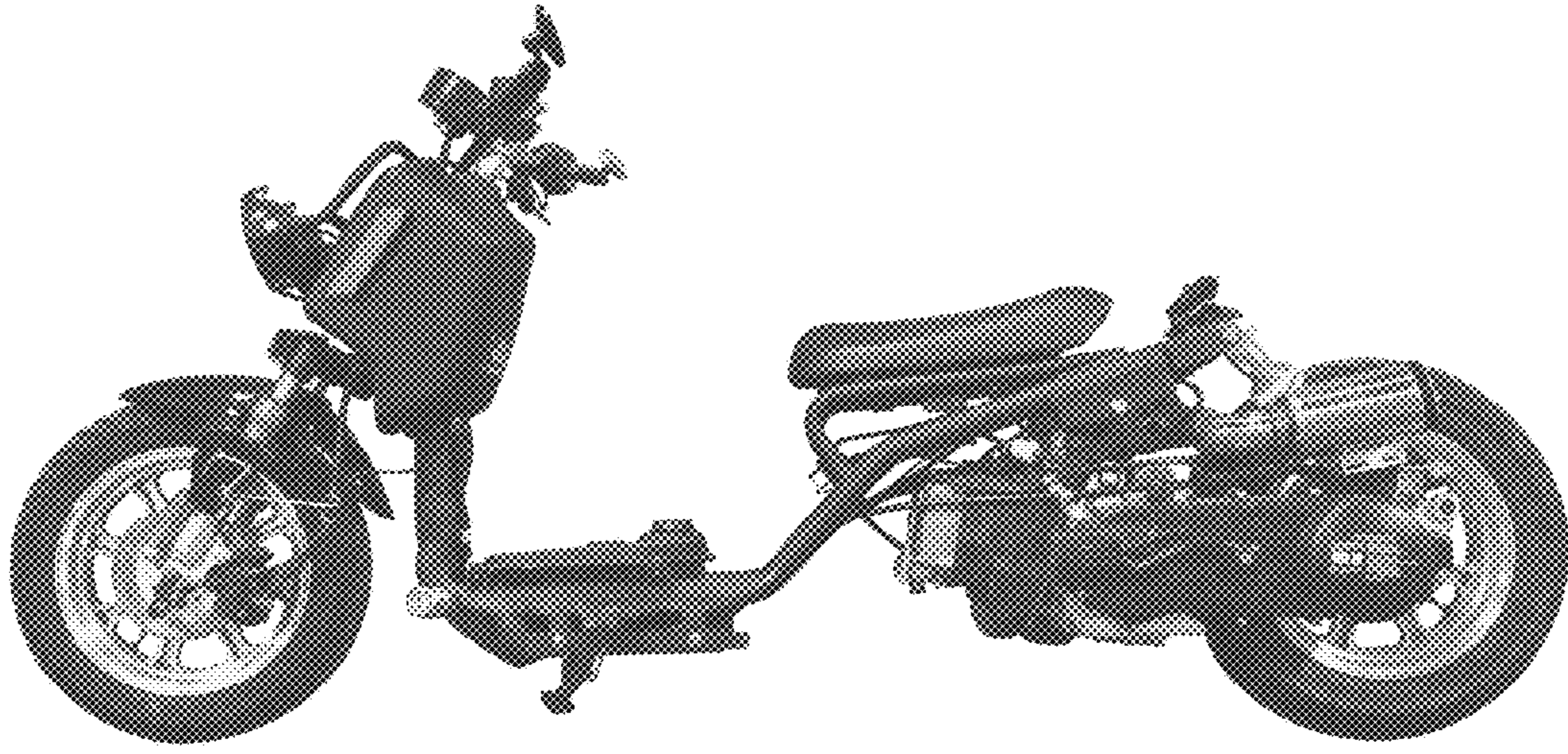


FIG.4

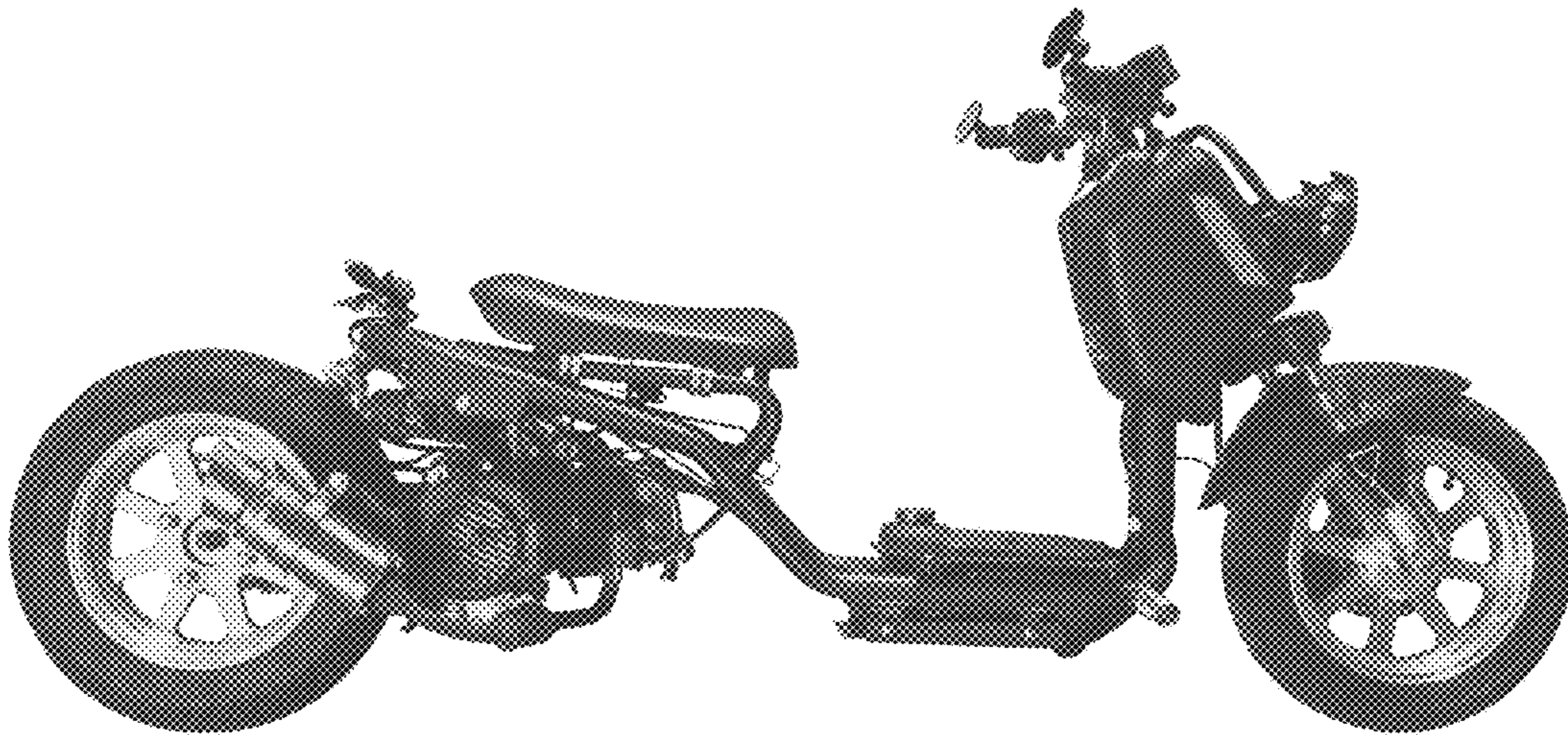


FIG.5

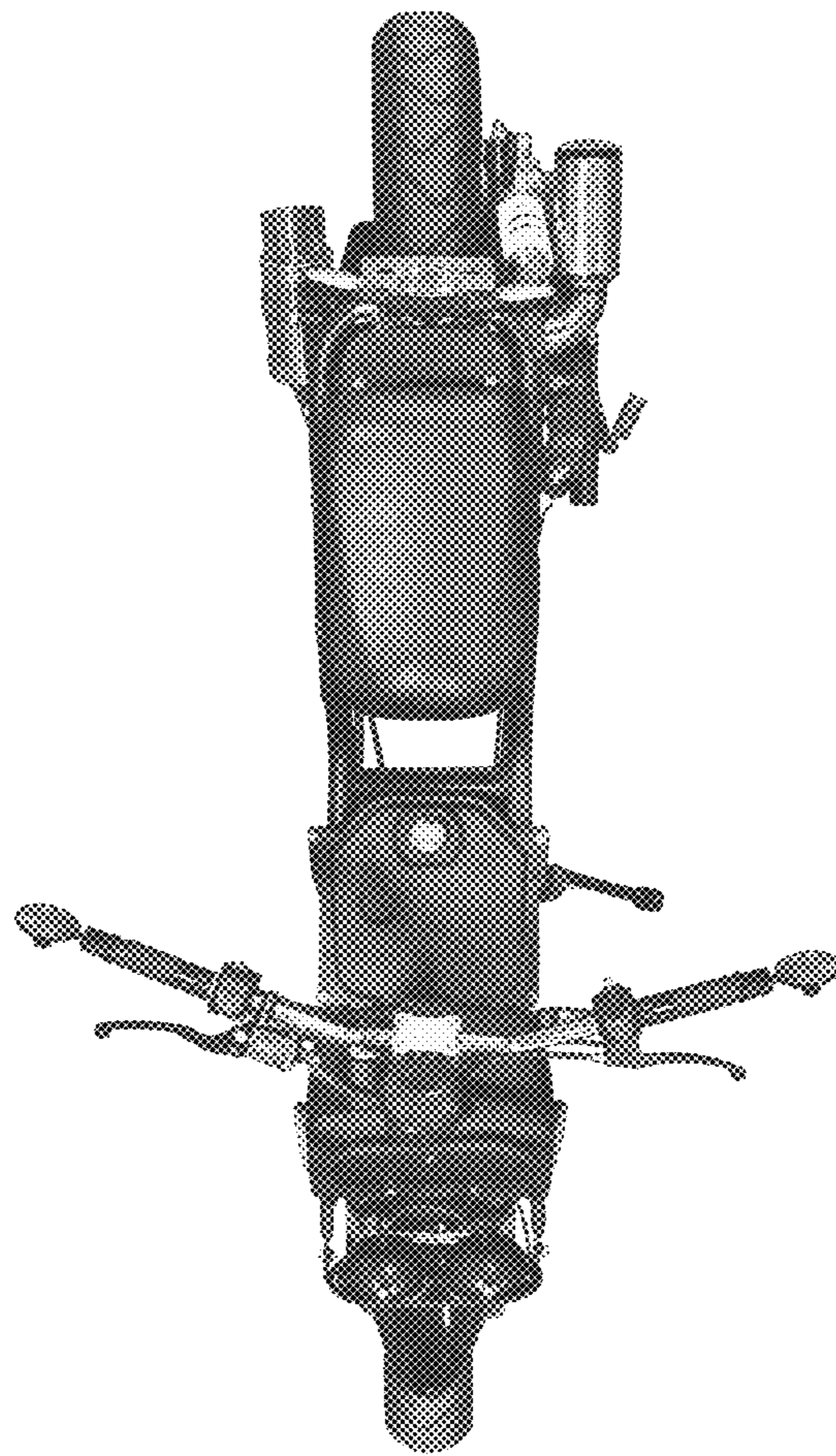


FIG.6