



US00D788648S

(12) **United States Design Patent**
Rudwal et al.

(10) **Patent No.:** **US D788,648 S**
(45) **Date of Patent:** **** Jun. 6, 2017**

- (54) **THREE-WHEELED VEHICLE**
- (71) Applicant: **BOMBARDIER RECREATIONAL PRODUCTS INC., Valcourt (CA)**
- (72) Inventors: **Christopher Rudwal, Paris (FR); Jean-Philippe Crepeau, Bromont (CA); Damien Basset, St-Remy-de-Provence (FR); Maxime Dumont, Montreal (CA); Ghyslain Beland, Granby (CA)**
- (**) Term: **15 Years**
- (21) Appl. No.: **29/536,636**
- (22) Filed: **Aug. 18, 2015**
- (51) **LOC (10) Cl.** **12-11**
- (52) **U.S. Cl.**
USPC **D12/110**
- (58) **Field of Classification Search**
USPC D12/3, 86, 87, 110, 107, 112; 180/210, 180/215, 219, 220, 223, 233, 225, 229, 180/311, 312, 315; 280/124.103
CPC B62K 5/027; B62K 5/05; B62K 11/04; B62K 19/46
See application file for complete search history.

- D581,685 S 12/2008 Longpre et al.
- D581,846 S 12/2008 Longpre et al.
- D582,823 S 12/2008 Longpre et al.
- D584,188 S * 1/2009 Jenkins D12/85
- D589,844 S * 4/2009 Aube D12/85
- D593,455 S 6/2009 Longpre et al.
- D593,908 S * 6/2009 Longpre D12/107
- D593,912 S 6/2009 Longpre et al.
- D596,081 S * 7/2009 Longpre D12/107
- D598,328 S * 8/2009 Lambri B62K 5/05
D12/110
- D603,775 S 11/2009 Longpre et al.
- D611,391 S 3/2010 Bourgeois
- D626,900 S 11/2010 Guay et al.
- D627,263 S * 11/2010 Guay D12/110
- D627,269 S 11/2010 Deluy et al.
- D627,282 S 11/2010 Deluy et al.
- D628,129 S 11/2010 Longpre et al.

(Continued)

Primary Examiner — Darlington Ly
(74) *Attorney, Agent, or Firm* — BCF LLP

(57) **CLAIM**

The ornamental design for a three-wheeled vehicle, as shown and described.

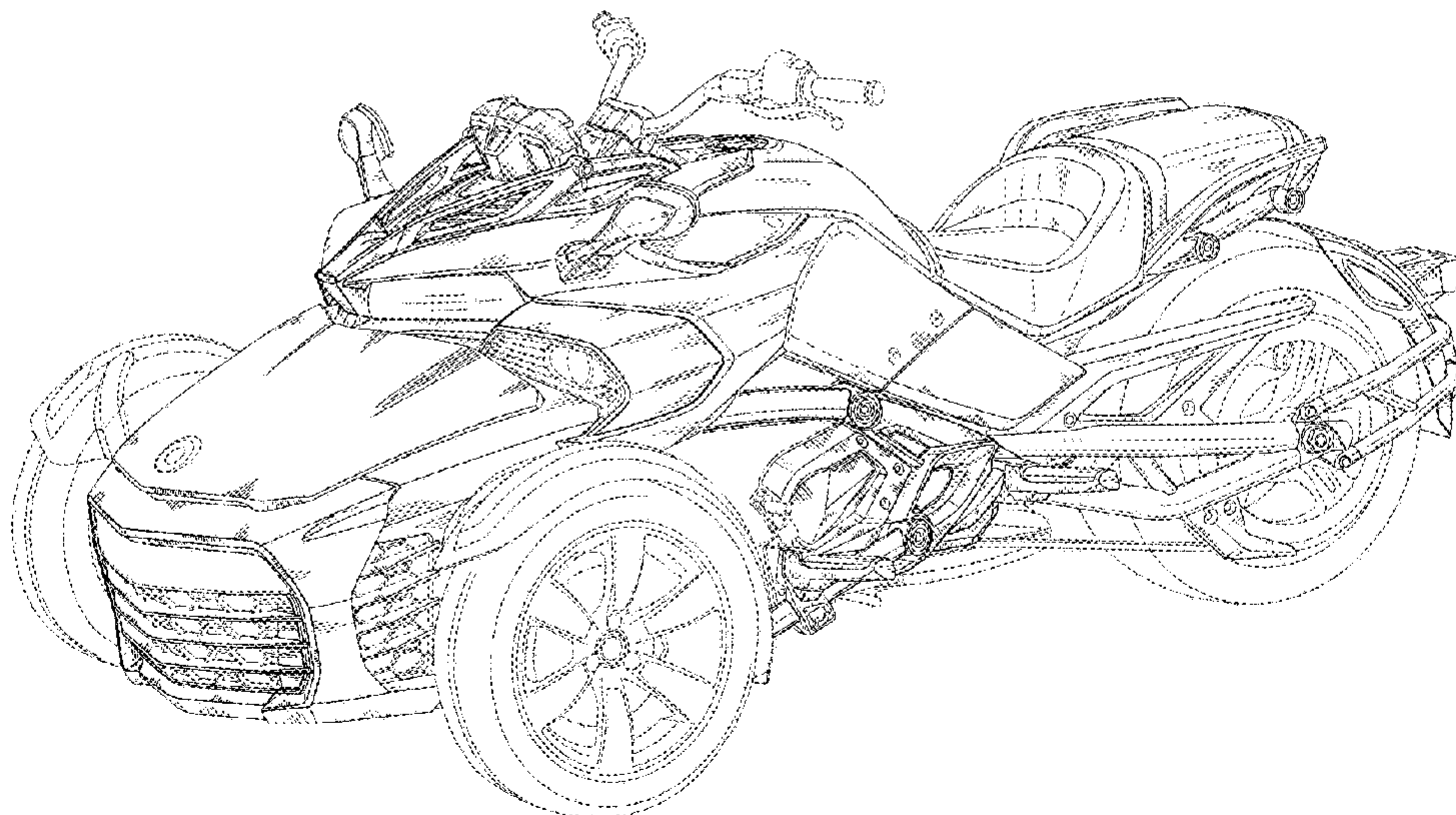
DESCRIPTION

FIG. 1 is a top, front, and left side perspective view of a three-wheeled vehicle showing our new design;
 FIG. 2 is a left side elevation view thereof;
 FIG. 3 is a front elevation view thereof;
 FIG. 4 is a right side elevation view thereof;
 FIG. 5 is a top plan view thereof;
 FIG. 6 is a bottom plan view thereof; and,
 FIG. 7 is a rear elevation view thereof.

The even broken lines in the drawings illustrate portions of the three-wheeled vehicle that forms no part of the claimed design. Furthermore, the portions of the article shown bounded by dash-dot broken lines and without shade lines do not form part of the claimed design.

1 Claim, 7 Drawing Sheets

- (56) **References Cited**
U.S. PATENT DOCUMENTS
- 4,787,470 A * 11/1988 Badsey B62D 61/065
180/210
- 6,015,022 A * 1/2000 Thuliez B62D 21/04
180/210
- D449,018 S * 10/2001 Musser D12/85
- D485,788 S * 1/2004 Guay D12/107
- D536,186 S 2/2007 Crepeau et al.
- D557,646 S 12/2007 Portelance
- D580,836 S 11/2008 Longpre et al.
- D581,319 S 11/2008 Longpre et al.
- D581,320 S 11/2008 Longpre et al.



(56)

References Cited

U.S. PATENT DOCUMENTS

D629,724 S 12/2010 Guay et al.
D629,726 S 12/2010 Guay et al.
D631,803 S 2/2011 Guay et al.
7,891,455 B2* 2/2011 Feutz B62K 13/04
180/210
D656,435 S * 3/2012 Lambri B62K 5/027
D12/110
D682,158 S * 5/2013 Canni D12/85
D689,794 S * 9/2013 Bracy D12/85
8,544,587 B2* 10/2013 Holroyd B62K 5/05
180/210
D702,166 S 4/2014 Deluy et al.
D774,945 S * 12/2016 Frahm D12/85
2007/0256882 A1* 11/2007 Bedard B62K 5/027
180/312
2009/0224497 A1* 9/2009 Seiter B62D 21/183
280/62

* cited by examiner

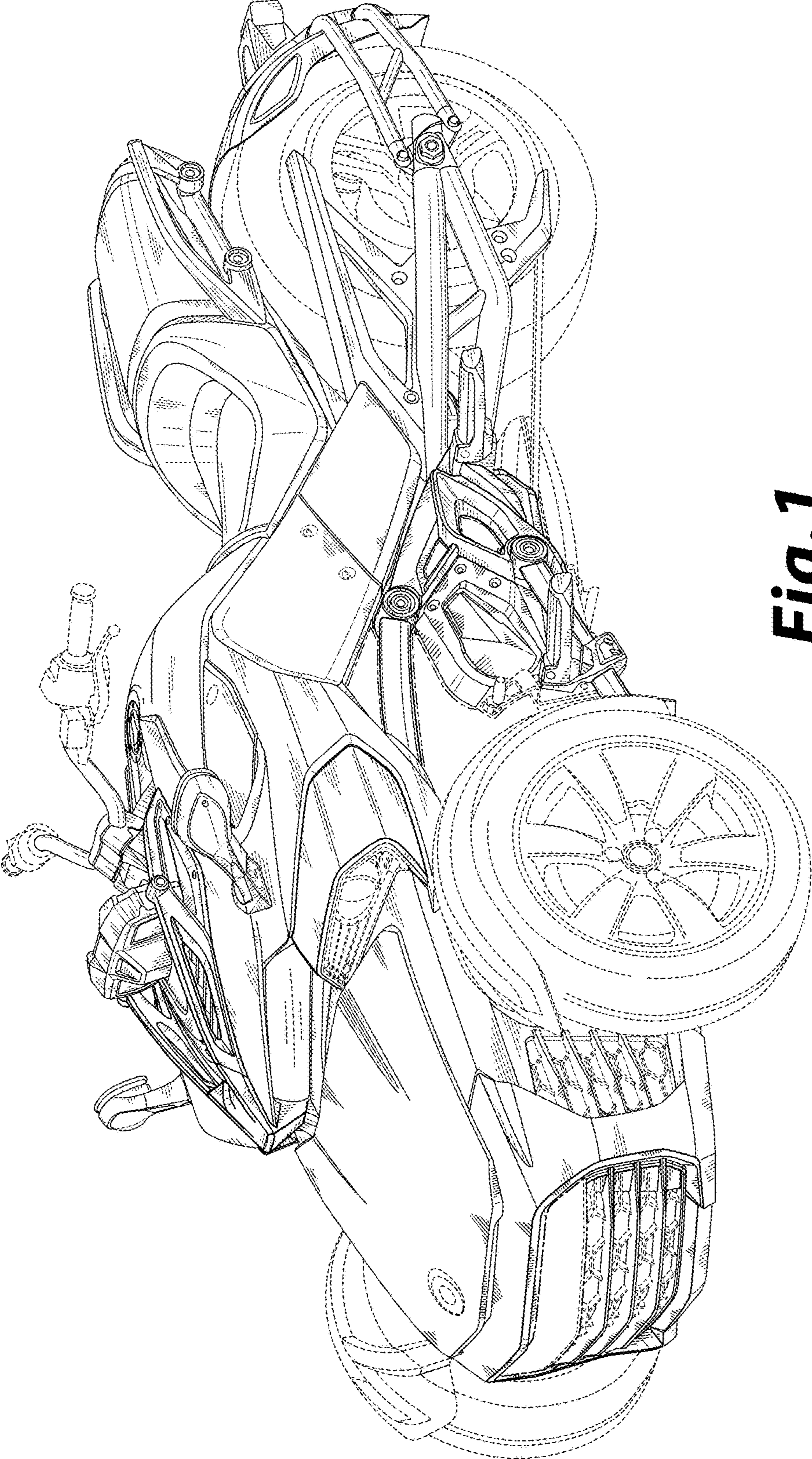


Fig. 1

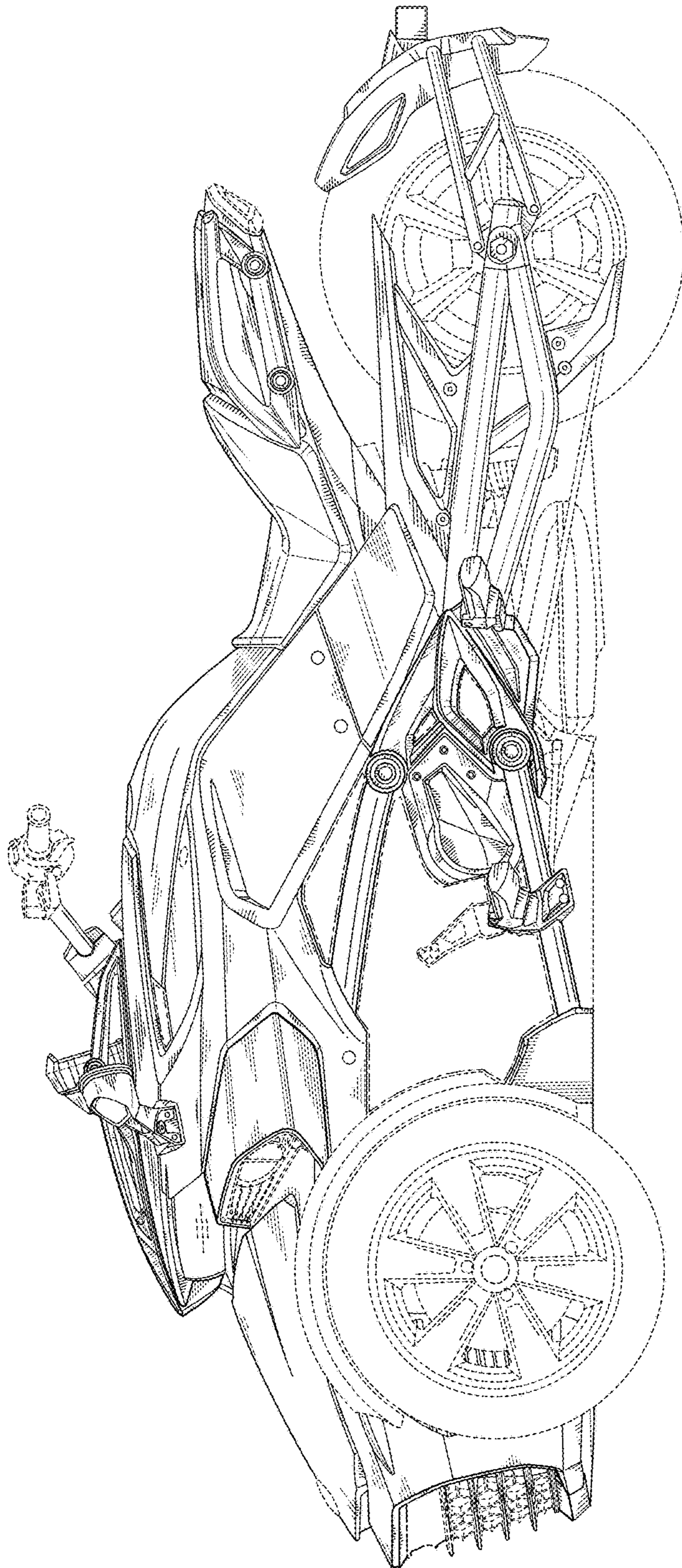


Fig. 2

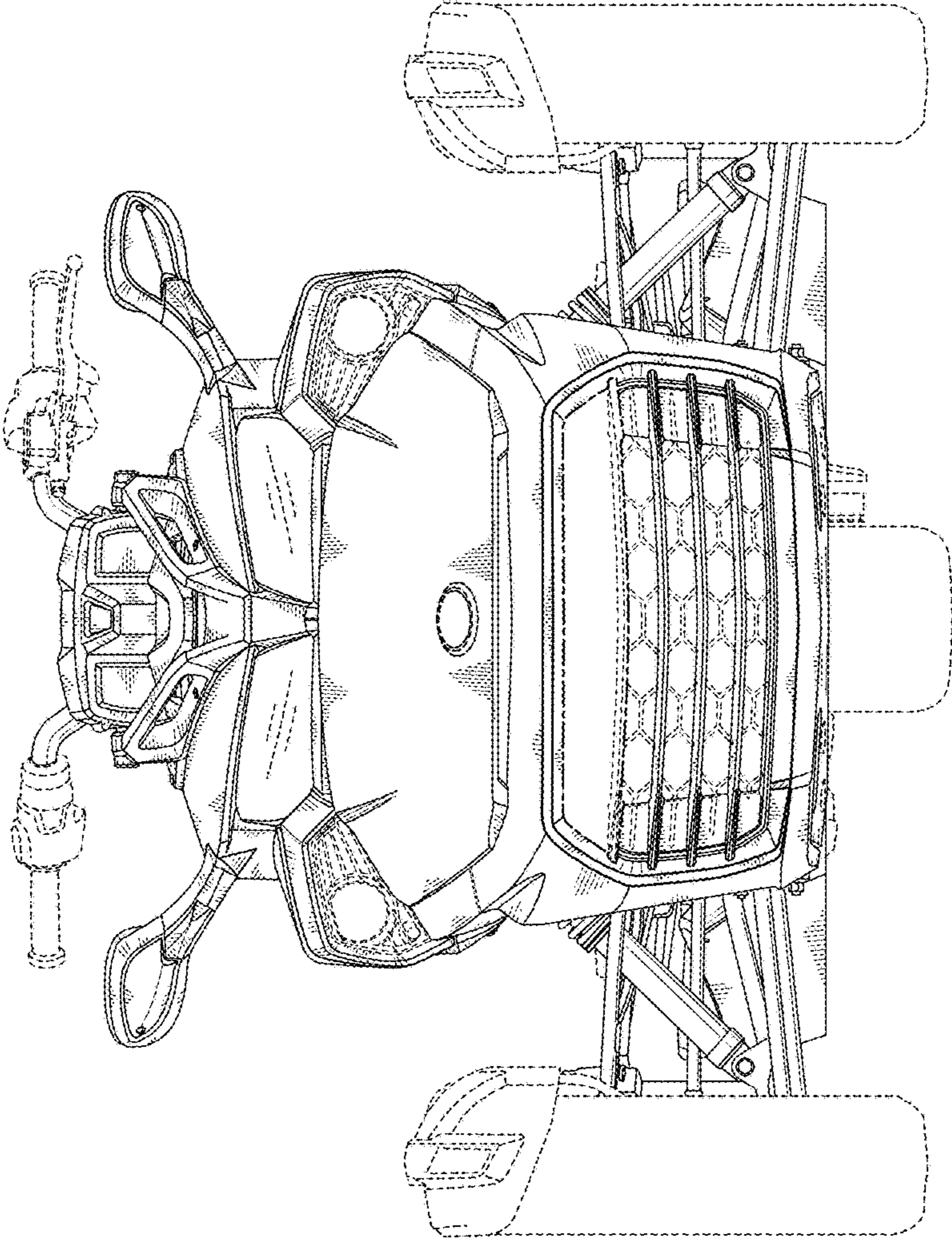


Fig. 3

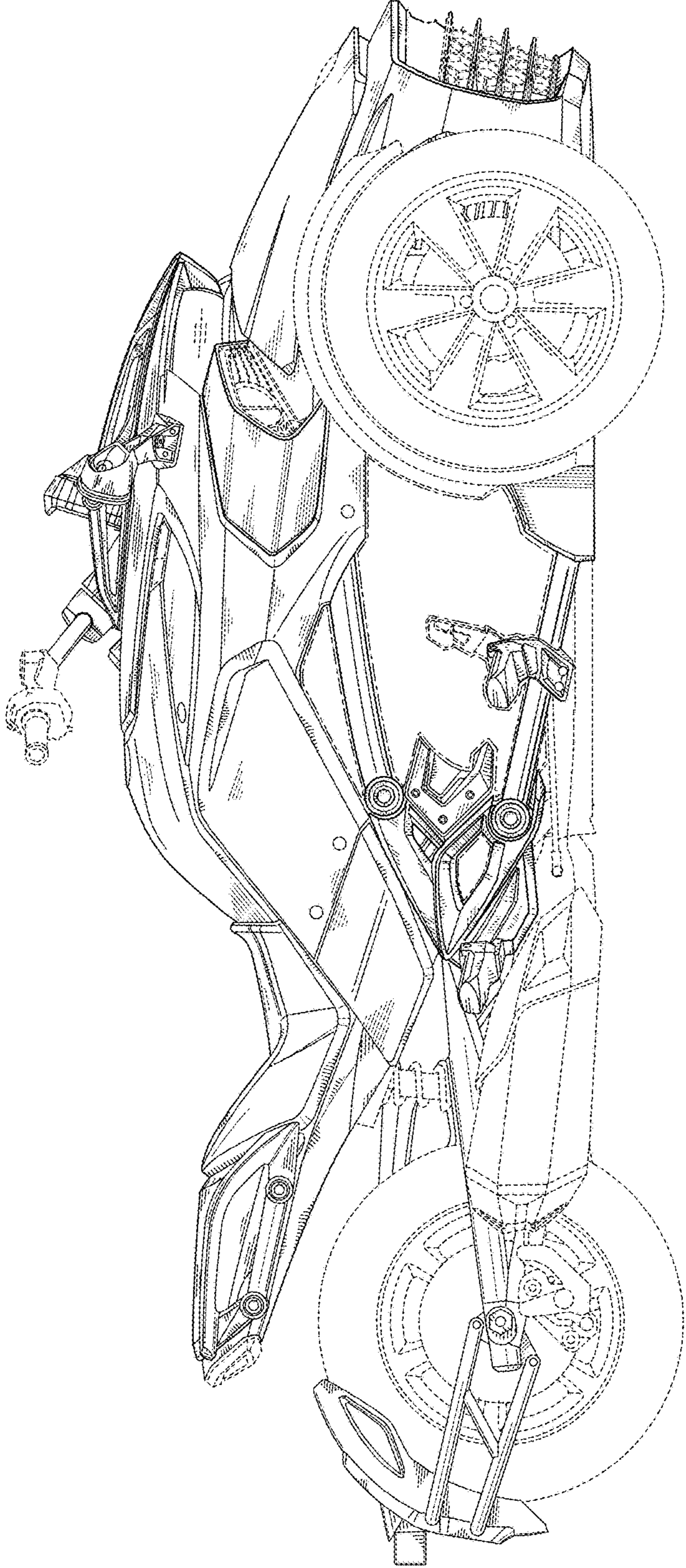


Fig. 4

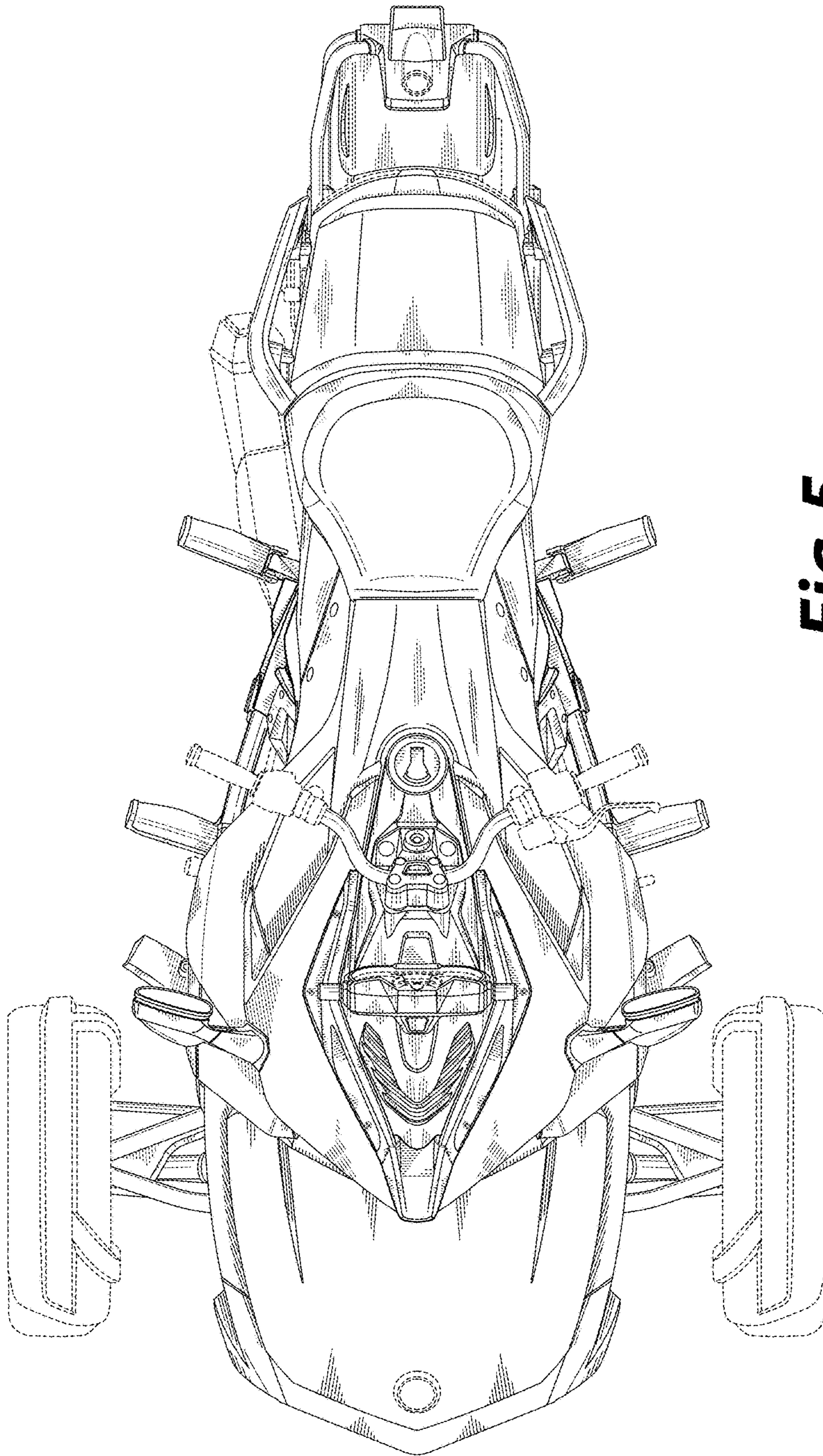


Fig. 5

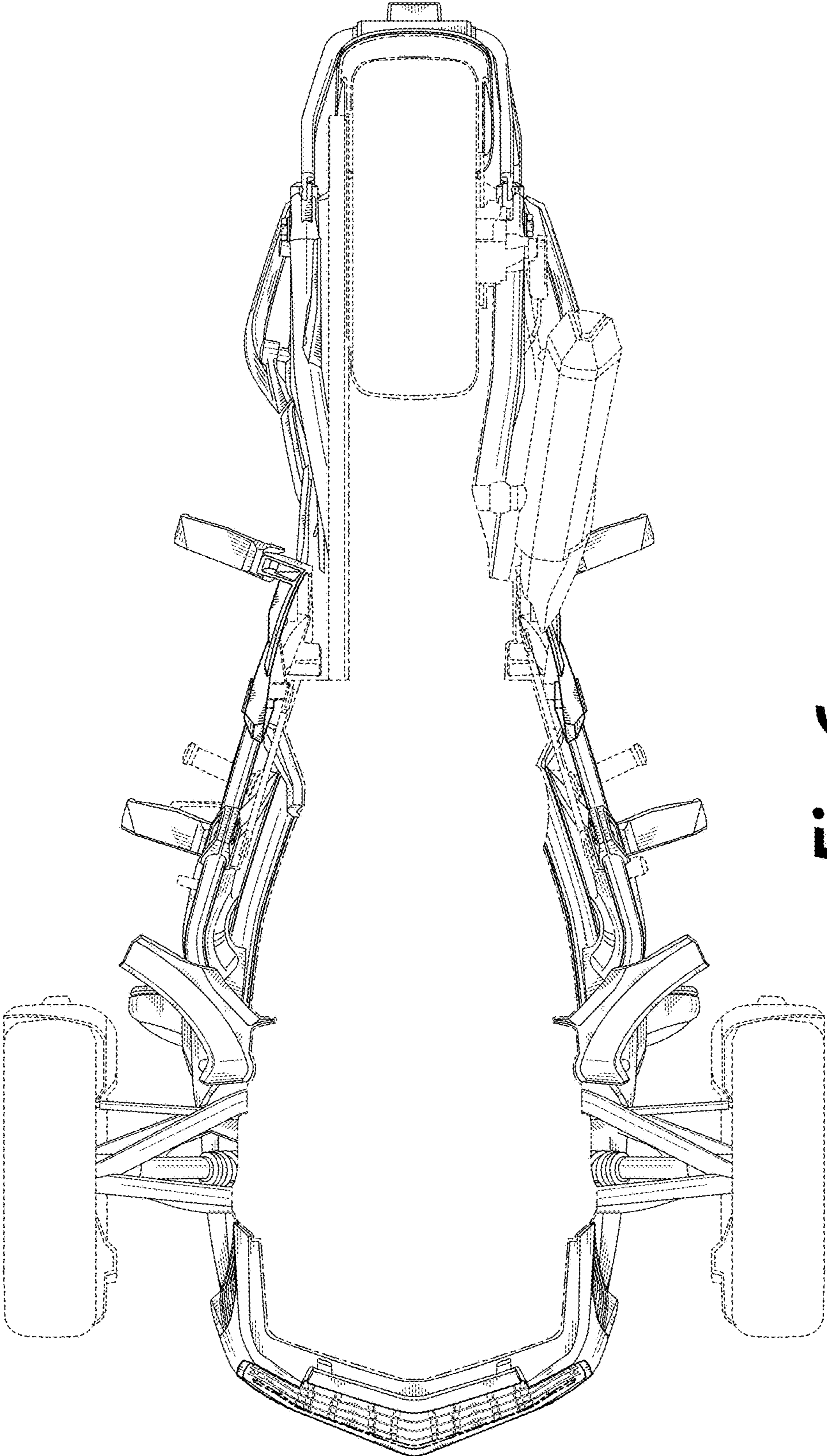


Fig. 6

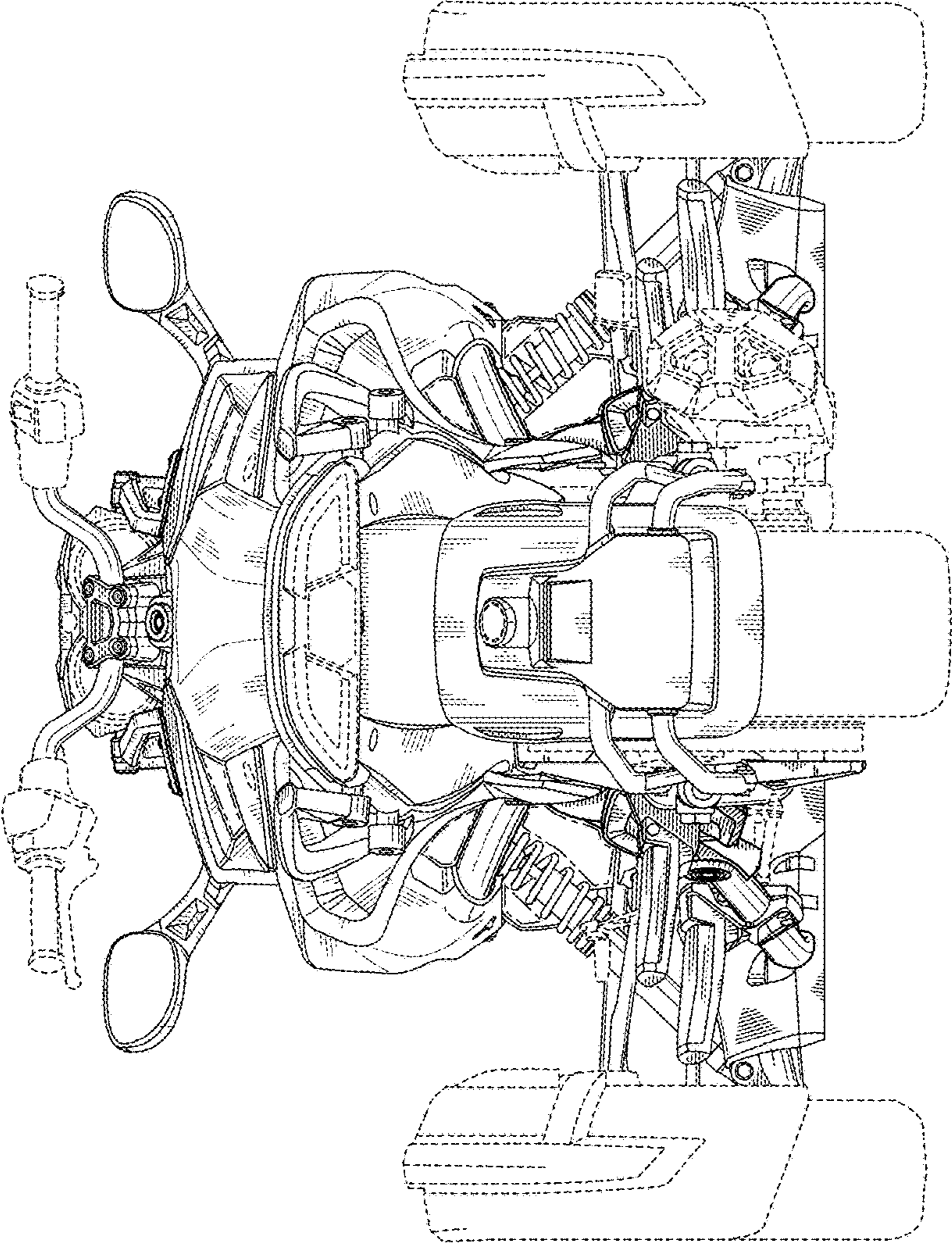


Fig. 7