



US00D788647S

(12) **United States Design Patent**  
**Yokoyama et al.**

(10) **Patent No.:** **US D788,647 S**

(45) **Date of Patent:** **\*\* Jun. 6, 2017**

(54) **MOTOR TRICYCLE**

(71) Applicant: **HONDA MOTOR CO., LTD.**, Tokyo (JP)

(72) Inventors: **Yuichi Yokoyama**, Wako (JP); **Kohei Suzuki**, Wako (JP)

(73) Assignee: **HONDA MOTOR CO., LTD.**, Tokyo (JP)

(\*\*) Term: **15 Years**

(21) Appl. No.: **29/555,936**

(22) Filed: **Feb. 25, 2016**

(30) **Foreign Application Priority Data**

Sep. 1, 2015 (JP) ..... 2015-019317

(51) **LOC (10) Cl.** ..... **12-11**

(52) **U.S. Cl.**  
USPC ..... **D12/107; D12/112**

(58) **Field of Classification Search**

USPC ..... D12/85, 86, 107, 110, 112, 131;  
D21/424, 433, 434; 180/65.1, 210-212,  
180/311, 312, 908; 280/181.1, 181.5;  
296/88, 264, 267, 288.1  
CPC ..... B62D 21/11; B62D 29/043; B62D 31/00;  
B62D 49/00; B62D 61/065; B62L 3/00;  
B62K 3/005; B62K 5/01; B62K 5/08;  
B62K 5/027

See application file for complete search history.

(56) **References Cited**

**U.S. PATENT DOCUMENTS**

D485,788 S \* 1/2004 Guay ..... D12/107  
D547,242 S \* 7/2007 Lambri ..... B62K 5/08  
D12/110

D593,908 S \* 6/2009 Longpre ..... D12/107  
D596,081 S \* 7/2009 Longpre ..... D12/107  
D598,328 S \* 8/2009 Lambri ..... B62K 5/05  
D12/110  
D627,263 S \* 11/2010 Guay ..... D12/110  
2004/0140140 A1 \* 7/2004 Guay ..... B62K 5/027  
180/210  
2005/0217909 A1 \* 10/2005 Guay ..... B60K 11/04  
180/68.4  
2007/0075514 A1 \* 4/2007 Saiki ..... B60G 7/00  
280/124.103  
2007/0256882 A1 \* 11/2007 Bedard ..... B62K 5/027  
180/312

\* cited by examiner

*Primary Examiner* — Darlington Ly

(74) *Attorney, Agent, or Firm* — Birch, Stewart, Kolasch & Birch, LLP

(57) **CLAIM**

The ornamental design for a motor tricycle, as shown and described.

**DESCRIPTION**

FIG. 1 is a front and right side perspective view of a motor tricycle showing our new design;  
FIG. 2 is a rear and left side perspective view thereof;  
FIG. 3 is a right side elevation view thereof;  
FIG. 4 is a front elevation view thereof;  
FIG. 5 is a rear elevation view thereof;  
FIG. 6 is a top plan view thereof;  
FIG. 7 is a left side elevation view thereof;  
FIG. 8 is a bottom plan view thereof;  
FIG. 9 is a front and left side perspective view thereof; and,  
FIG. 10 is a rear and right side perspective view thereof.  
The broken lines in the drawings illustrate portions of the motor tricycle that form no part of the claimed design.

**1 Claim, 5 Drawing Sheets**

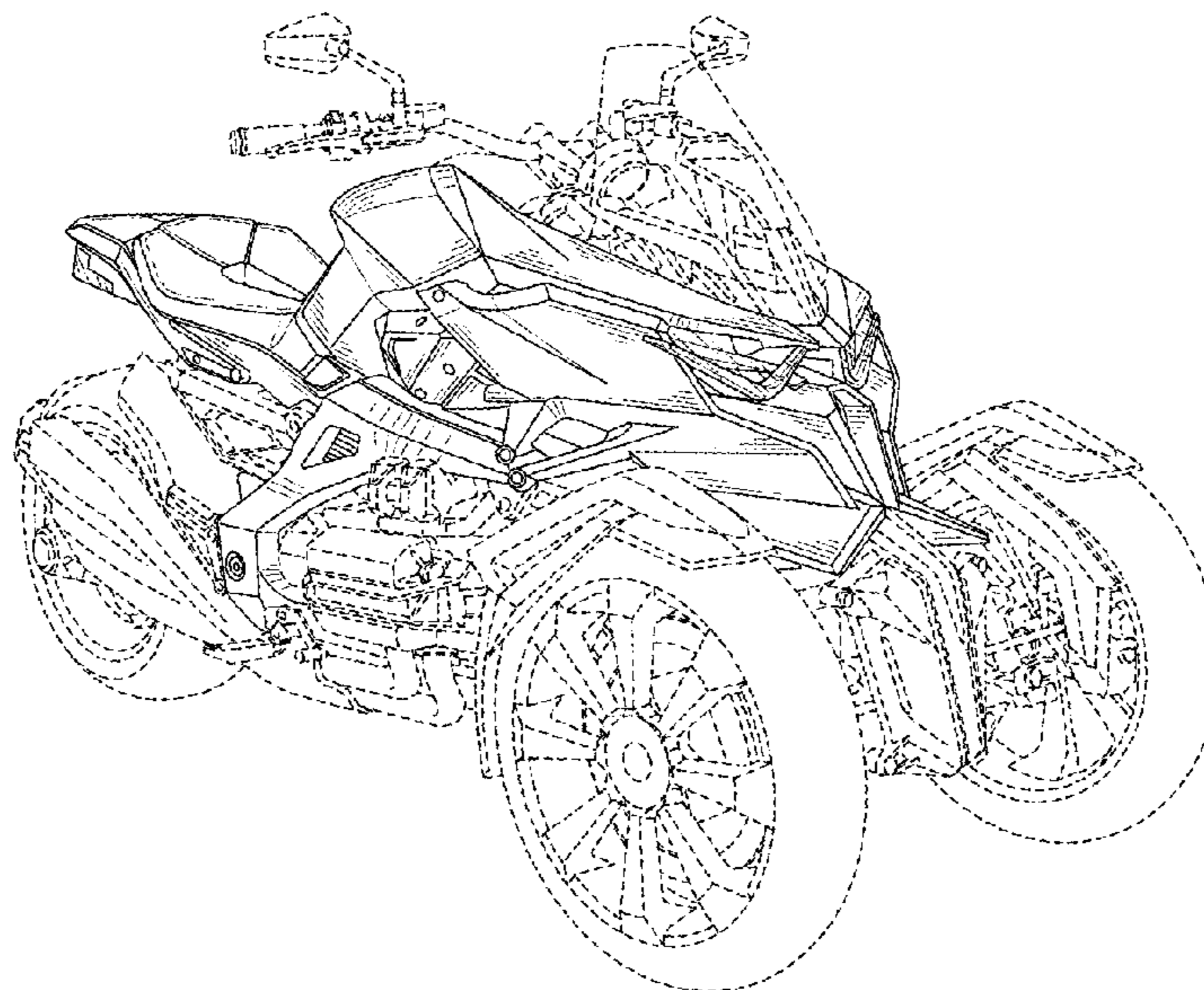


FIG. 1

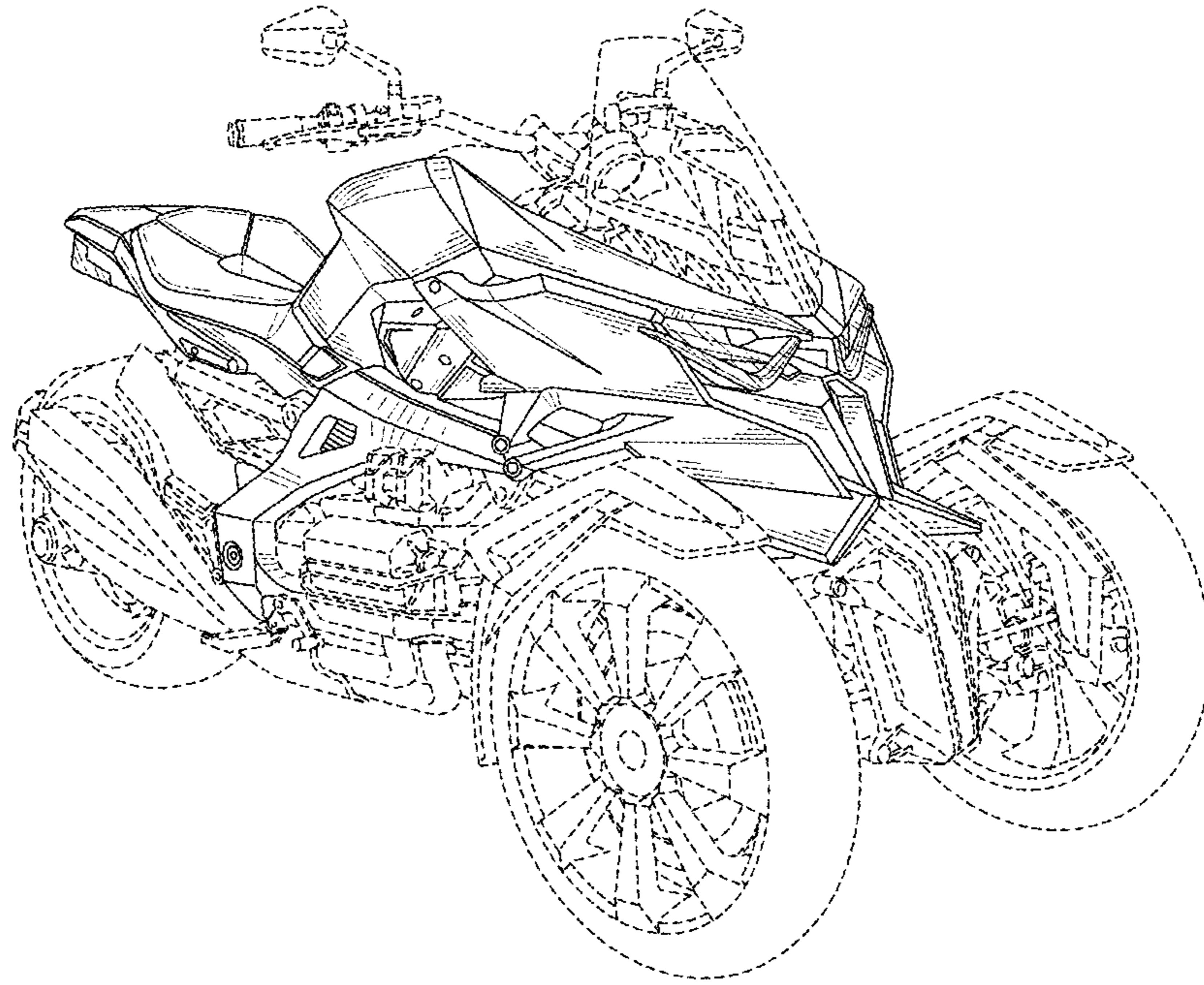


FIG. 2

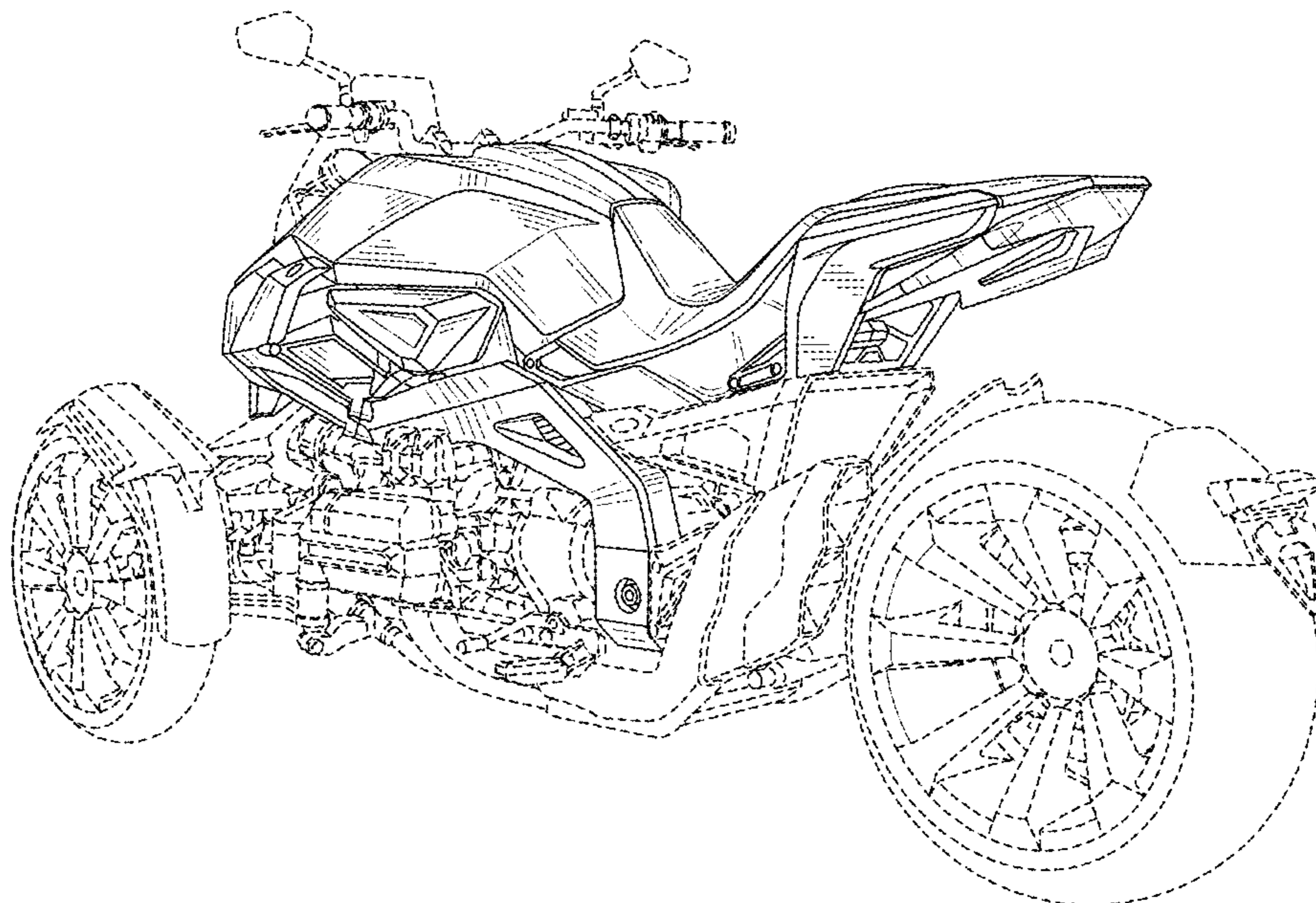


FIG. 3

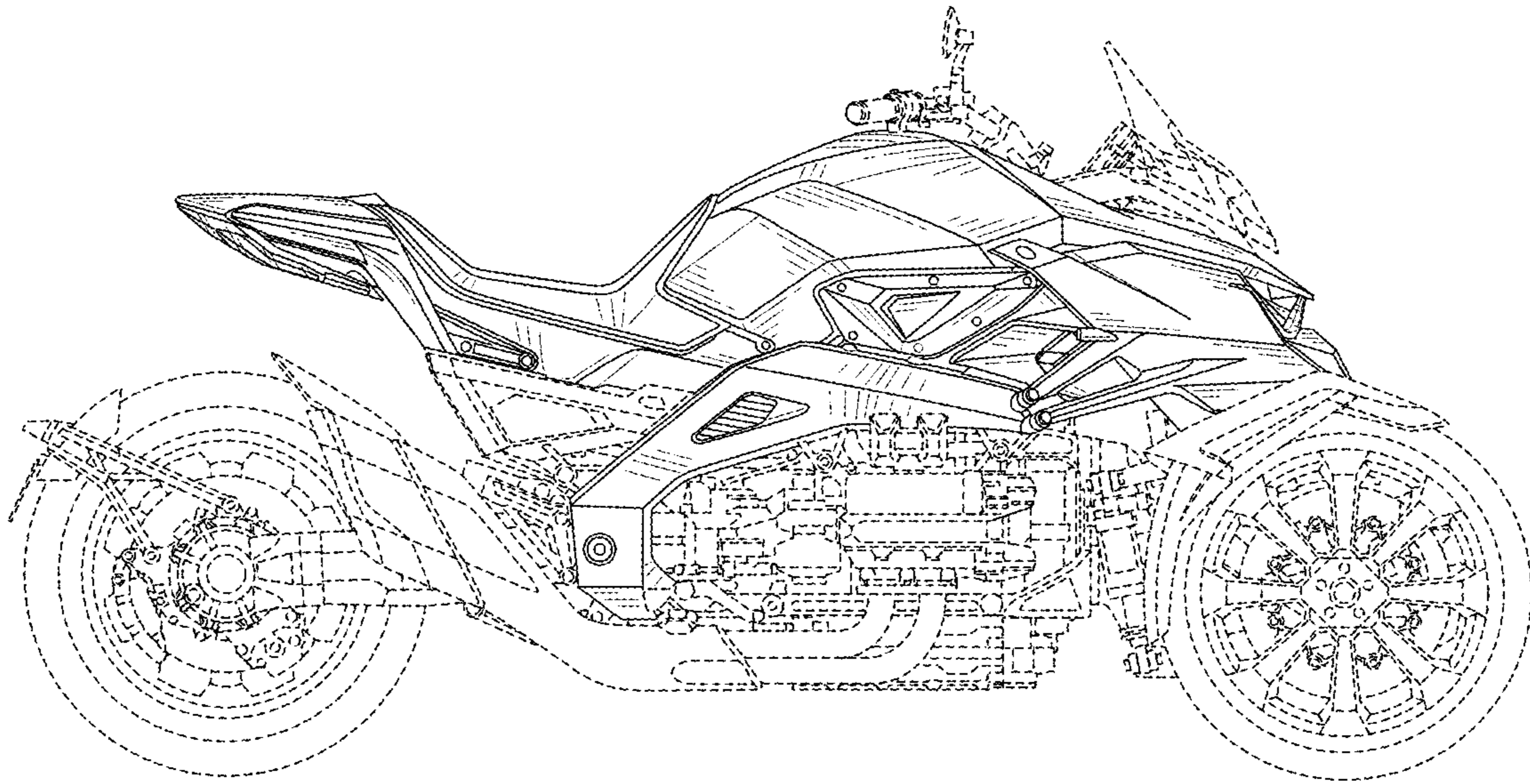


FIG. 4

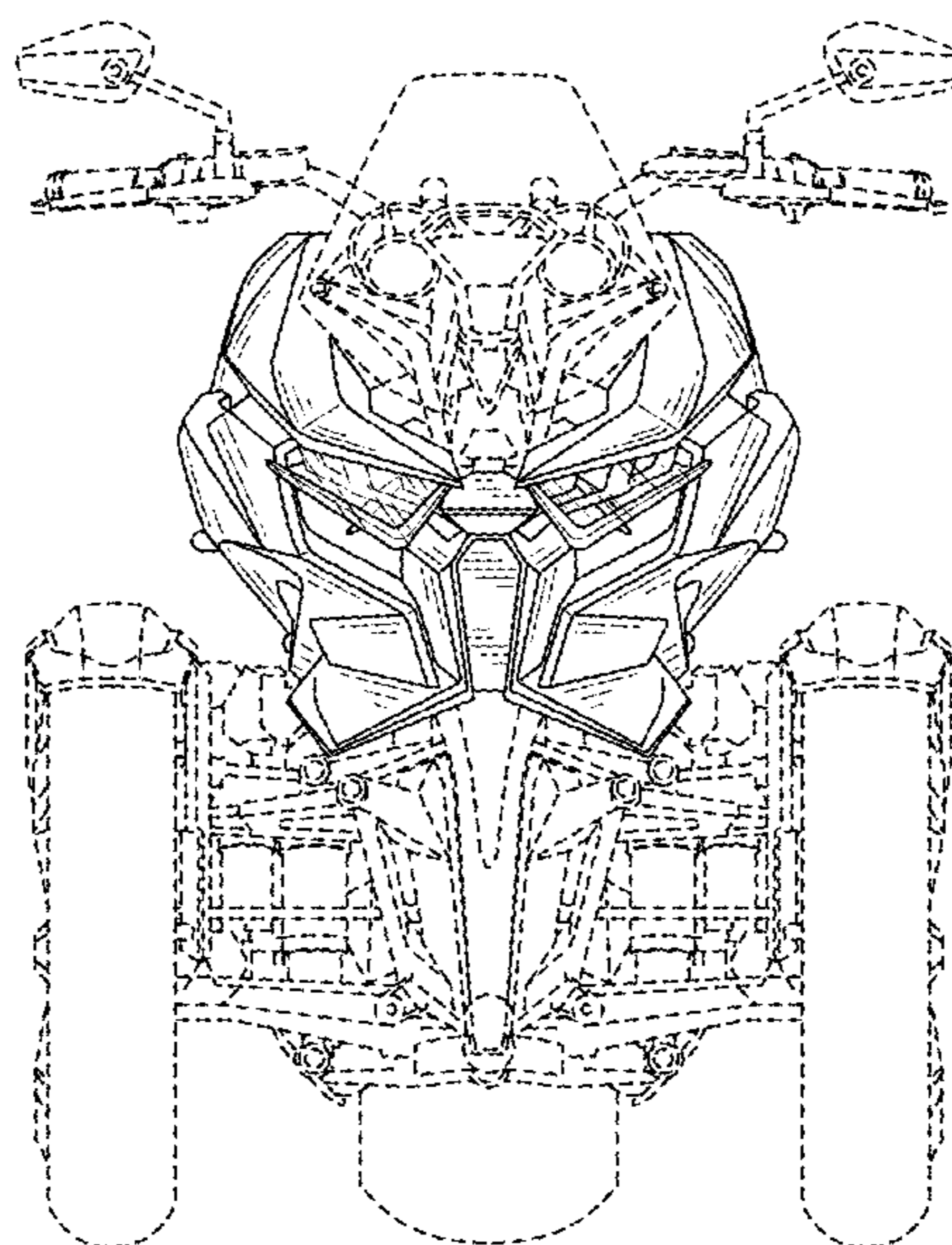


FIG. 5

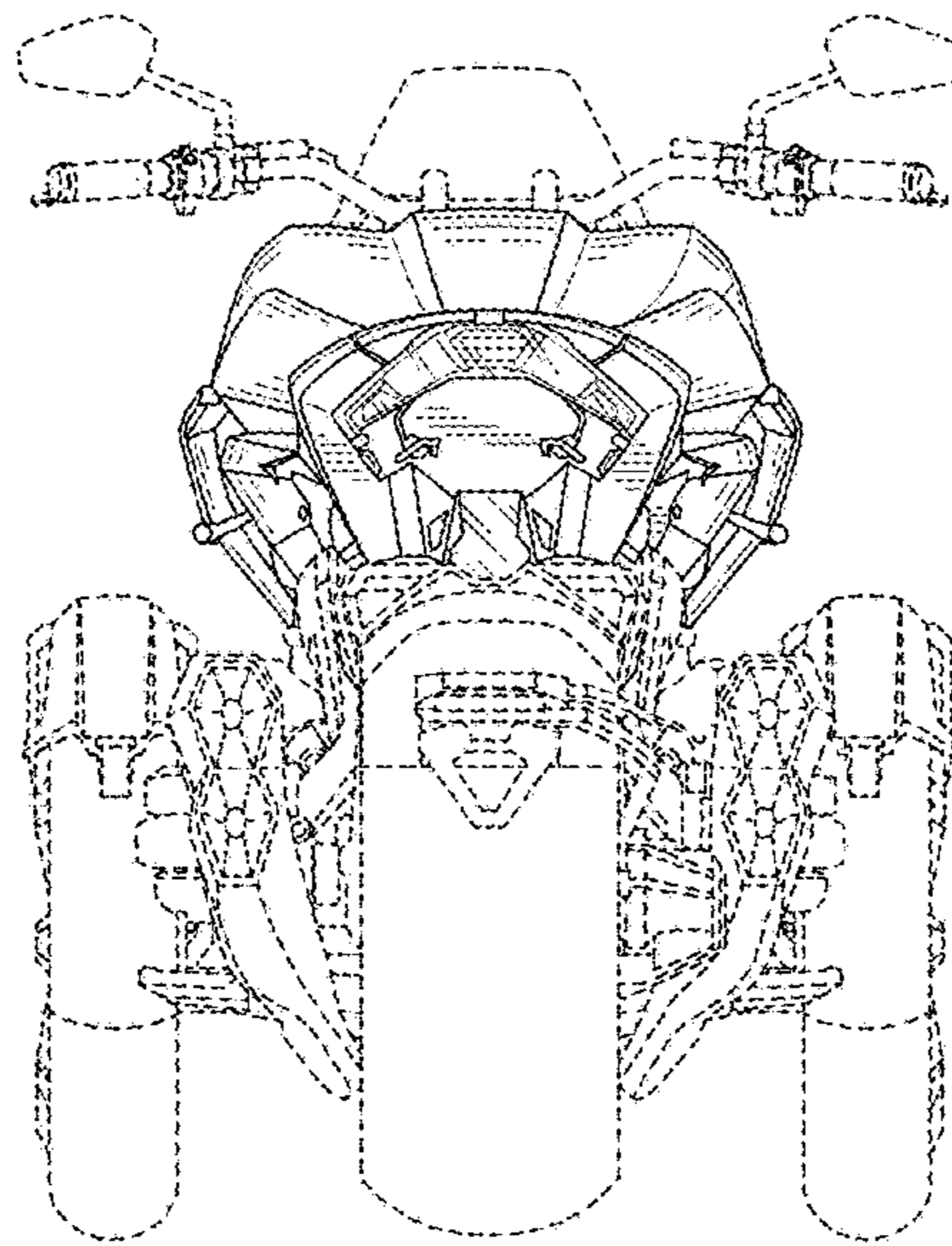


FIG. 6

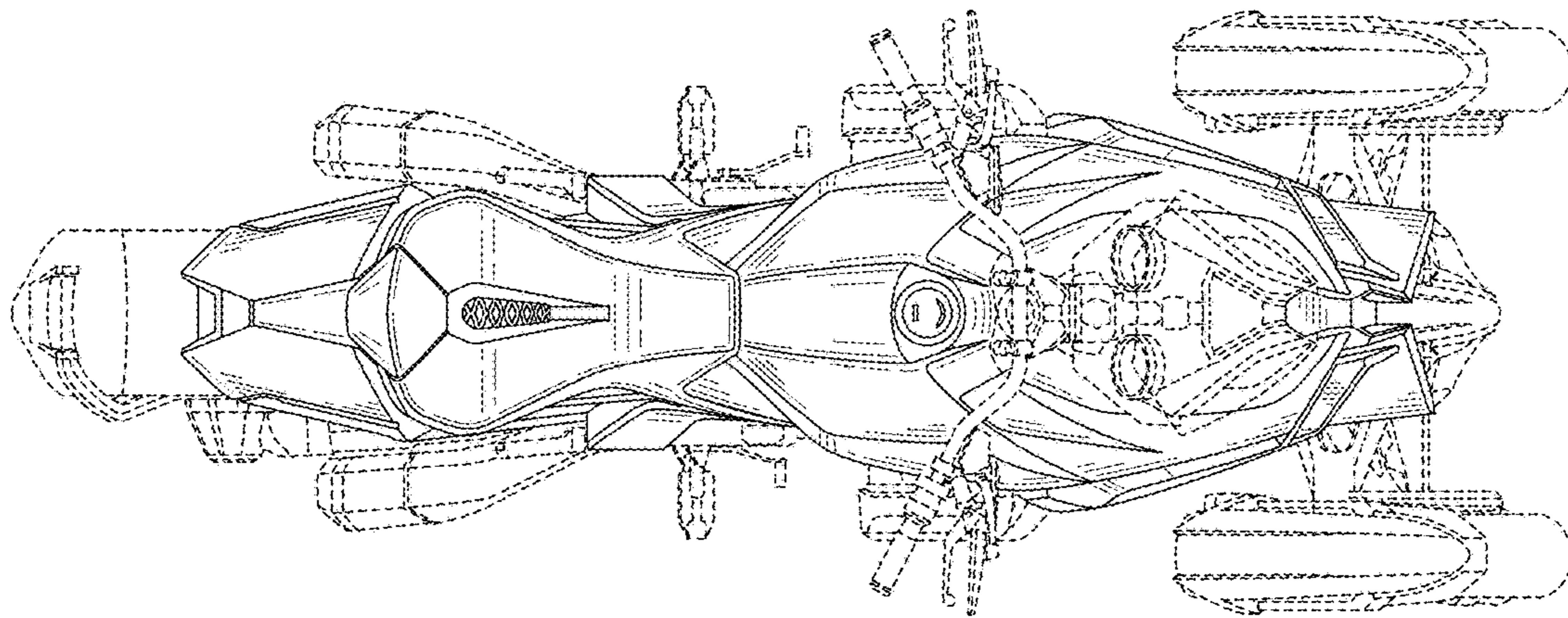


FIG. 7

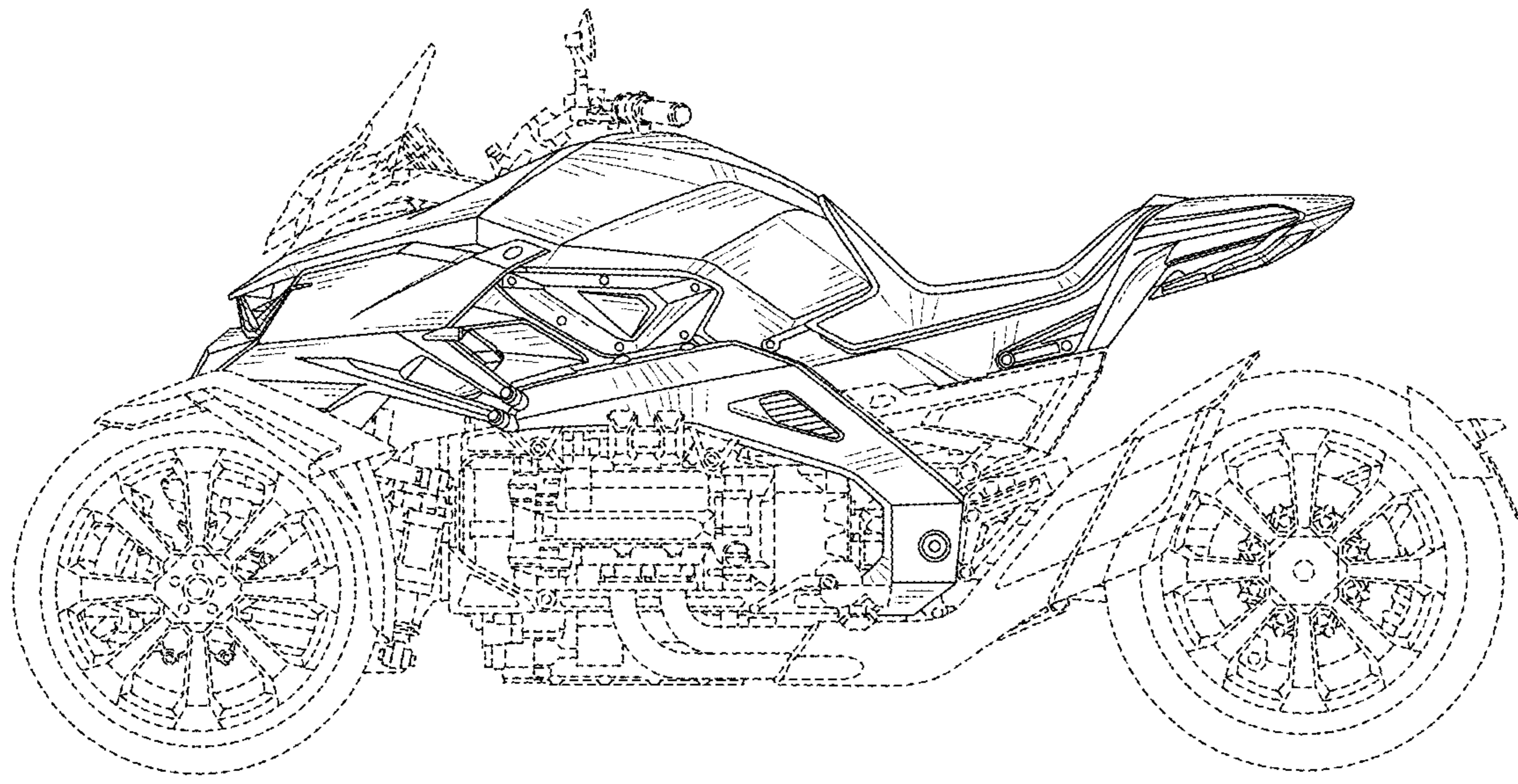


FIG. 8

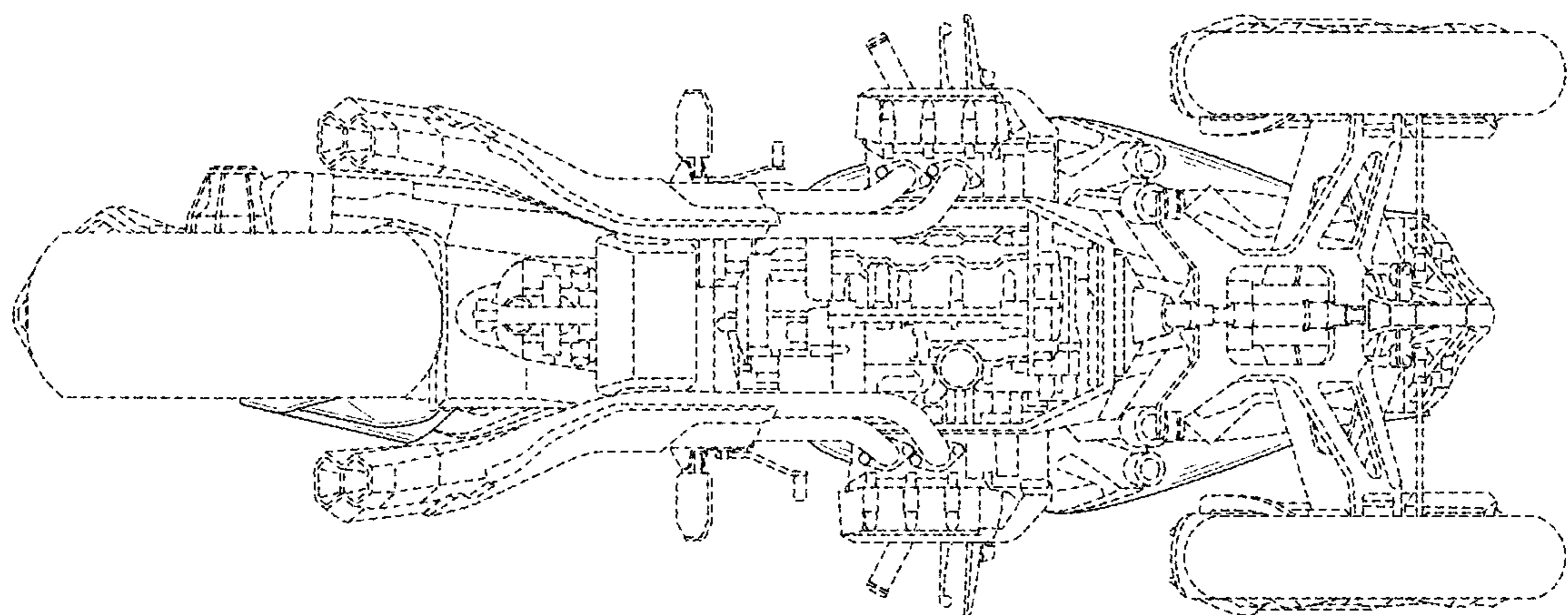


FIG. 9

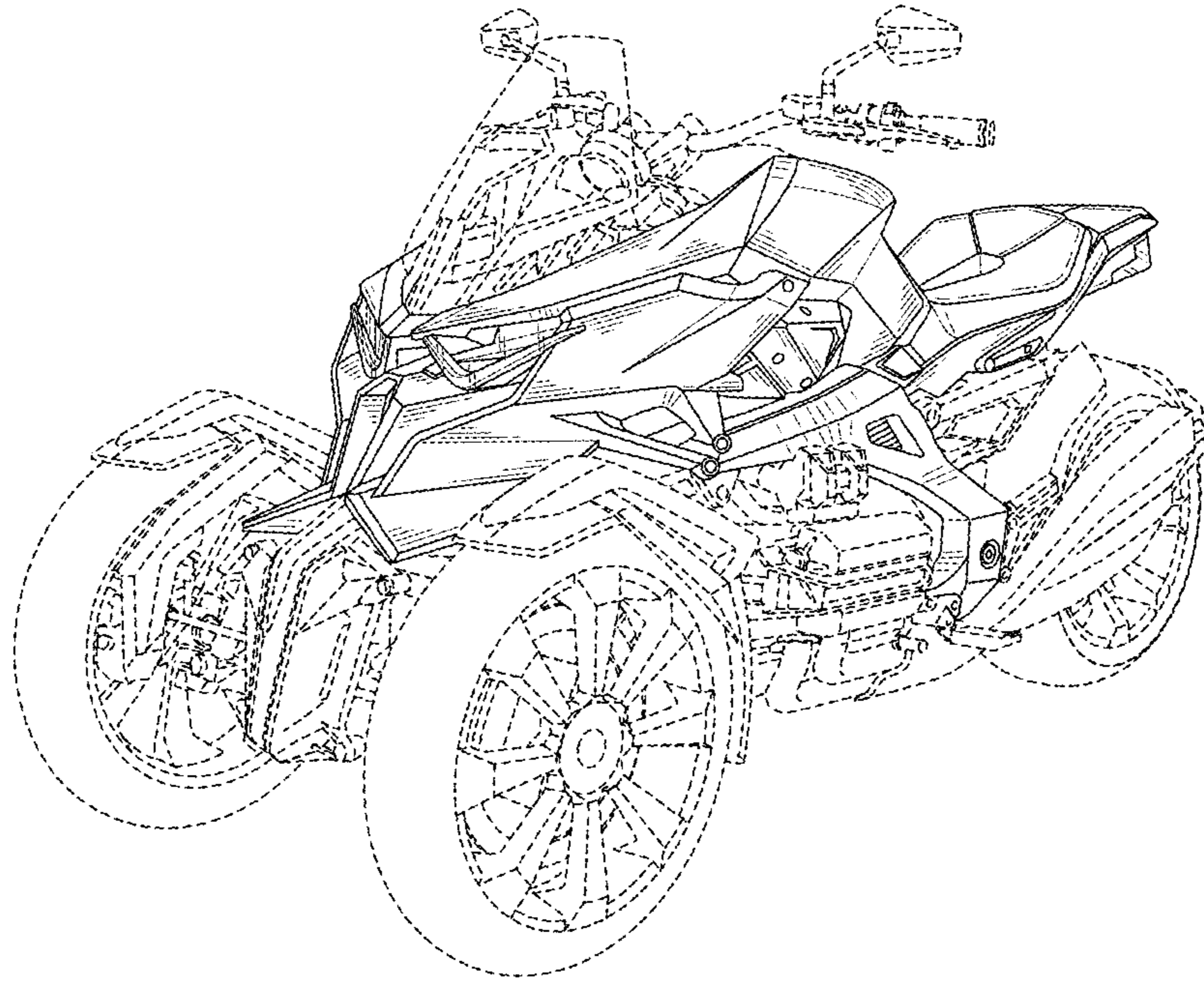


FIG. 10

