



US00D788645S

(12) **United States Design Patent**
Mueller

(10) **Patent No.:** **US D788,645 S**
(45) **Date of Patent:** **** Jun. 6, 2017**

- (54) **MOTOR CAR**
- (71) Applicant: **GM Global Technology Operations LLC, Detroit, MI (US)**
- (72) Inventor: **Uwe Mueller, Wiesbaden (DE)**
- (73) Assignee: **GM Global Technology Operations LLC, Detroit, MI (US)**
- (**) Term: **15 Years**
- (21) Appl. No.: **29/543,795**
- (22) Filed: **Oct. 28, 2015**
- (30) **Foreign Application Priority Data**
Apr. 29, 2015 (EM) 002 691 477
- (51) **LOC (10) Cl.** **12-08**
- (52) **U.S. Cl.**
USPC **D12/91**
- (58) **Field of Classification Search**
USPC D12/86, 90-92, 88; D21/421, 433, 434;
296/181.1, 181.5
CPC B62D 35/00; B62D 25/00; B62D 25/06;
B62D 33/00
See application file for complete search history.

- D605,978 S 12/2009 Wolff et al.
- D608,249 S 1/2010 Peters
- D608,690 S 1/2010 Folden et al.
- D608,691 S 1/2010 Zak, Jr. et al.
- D609,608 S 2/2010 Boniface et al.
- D611,387 S 3/2010 Thompson et al.
- D611,879 S 3/2010 Kim et al.
- D612,297 S 3/2010 Peters et al.
- D613,645 S 4/2010 Song et al.
- D615,458 S 5/2010 Thompson et al.
- D618,595 S 6/2010 Ware et al.
- D623,090 S 9/2010 Cox et al.
- D627,262 S 11/2010 Ikeda et al.
- D635,488 S 4/2011 Phipps
- D644,147 S 8/2011 Suh et al.
- D644,567 S 9/2011 Kozub
- D657,718 S 4/2012 Zipfel et al.
- D659,052 S 5/2012 Ware et al.
- D659,053 S 5/2012 Ware et al.
- D668,182 S 10/2012 Franco
- D668,183 S 10/2012 Smart

(Continued)

Primary Examiner — Melody N Brown
(74) *Attorney, Agent, or Firm* — Reising Ethington P.C.

(57) **CLAIM**

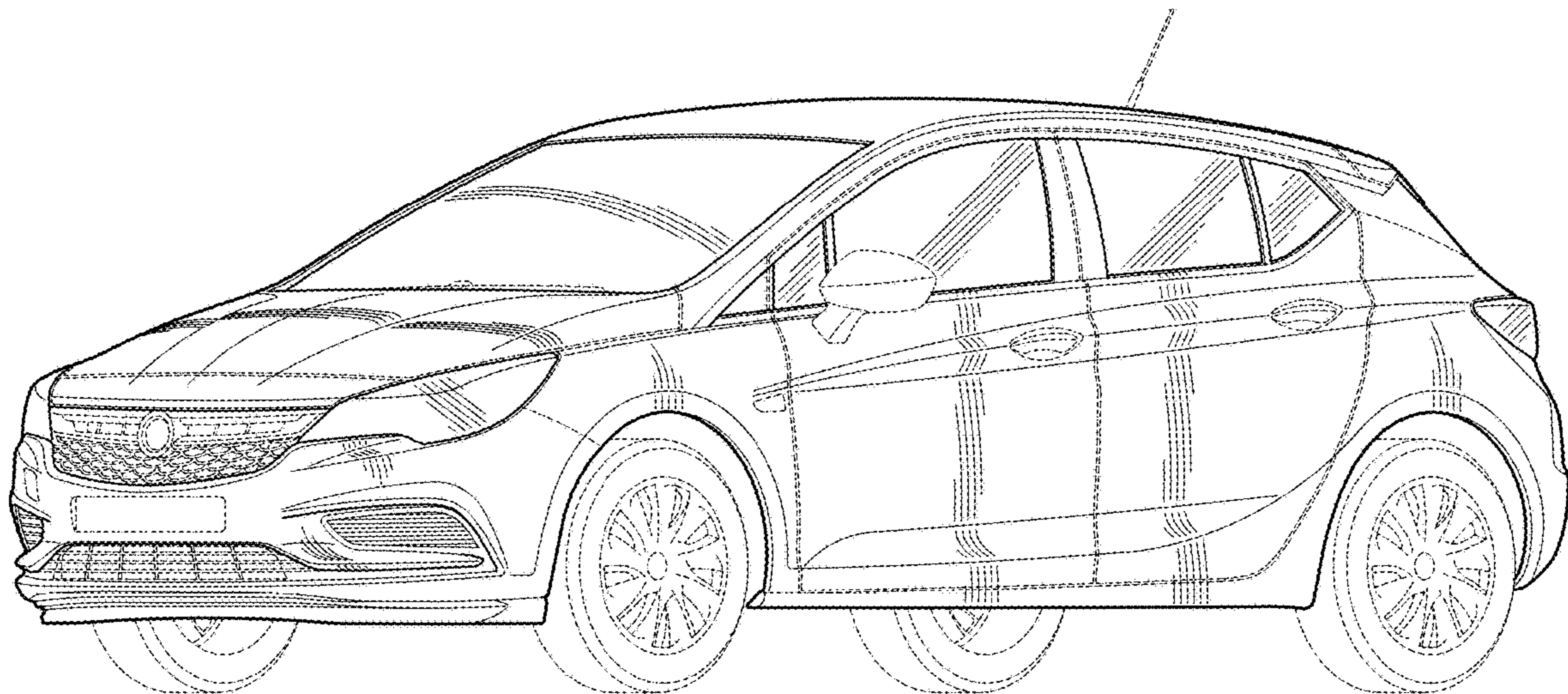
The ornamental design for a motor car, as shown and described.

DESCRIPTION

FIG. 1 is a front and left side perspective view of the motor car;
FIG. 2 is a rear and right side perspective view thereof;
FIG. 3 is a right side elevation view thereof;
FIG. 4 is a left side elevation view thereof;
FIG. 5 is a front elevation view thereof;
FIG. 6 is a rear elevation view thereof; and,
FIG. 7 is a top plan view thereof.
The broken lines shown in the drawings depict portions of the motor car that form no part of the claimed design.

1 Claim, 6 Drawing Sheets

- (56) **References Cited**
U.S. PATENT DOCUMENTS
- D570,742 S 6/2008 Takagi et al.
- D592,105 S 5/2009 Dean et al.
- D597,447 S 8/2009 Folden
- D600,595 S 9/2009 Nakamura et al.
- D601,925 S 10/2009 O'Donnell
- D603,755 S 11/2009 Peters
- D604,203 S 11/2009 O'Donnell
- D605,082 S 12/2009 Munson
- D605,083 S 12/2009 Manoogian, II et al.
- D605,977 S 12/2009 Zipfel et al.



(56)

References Cited

U.S. PATENT DOCUMENTS

| | | | | | |
|------------|---------|------------------|--------------|---------|----------------------------|
| D678,820 S | 3/2013 | Son et al. | D718,683 S | 12/2014 | Thole et al. |
| D678,821 S | 3/2013 | Ikeda et al. | D722,282 S | 2/2015 | Loeb |
| D680,909 S | 4/2013 | Munson et al. | D722,533 S | 2/2015 | Thole et al. |
| D680,910 S | 4/2013 | David | D722,534 S | 2/2015 | Munson et al. |
| D684,899 S | 6/2013 | Baker | D724,510 S | 3/2015 | McMahan et al. |
| D686,536 S | 7/2013 | McCabe et al. | D725,001 S | 3/2015 | McMahan et al. |
| D692,798 S | 11/2013 | Thurber | D726,591 S | 4/2015 | Jacob |
| D692,799 S | 11/2013 | Smith et al. | D730,776 S | 6/2015 | Smart |
| D696,157 S | 12/2013 | Loeb | D730,783 S | 6/2015 | Henriques et al. |
| D699,629 S | 2/2014 | Ikeda et al. | D732,427 S | 6/2015 | Loeb |
| D700,871 S | 3/2014 | O'Donnell et al. | D732,429 S | 6/2015 | Loeb |
| D703,103 S | 4/2014 | Lee | D732,430 S | 6/2015 | Loeb |
| D704,103 S | 5/2014 | Mack et al. | D732,431 S | 6/2015 | Loeb |
| D705,132 S | 5/2014 | Ware et al. | D732,432 S | 6/2015 | Aengenheyster |
| D705,699 S | 5/2014 | Ware et al. | D732,433 S | 6/2015 | Aengenheyster |
| D713,298 S | 9/2014 | Dyson | D732,435 S | 6/2015 | Mackay |
| D713,764 S | 9/2014 | Ferlazzo | D733,002 S | 6/2015 | Loeb |
| D716,696 S | 11/2014 | Thole et al. | D735,611 S | 8/2015 | Aengenheyster |
| D716,706 S | 11/2014 | Thole et al. | D735,627 S | 8/2015 | Smith |
| D716,709 S | 11/2014 | Thole et al. | D736,451 S | 8/2015 | Smith |
| D717,696 S | 11/2014 | Thole et al. | D739,306 S | 9/2015 | McMahan et al. |
| D718,189 S | 11/2014 | Krieg et al. | D739,317 S | 9/2015 | McMahan et al. |
| | | | D741,223 S | 10/2015 | Kim et al. |
| | | | D764,976 S * | 8/2016 | Aengenheyster D12/91 |

* cited by examiner

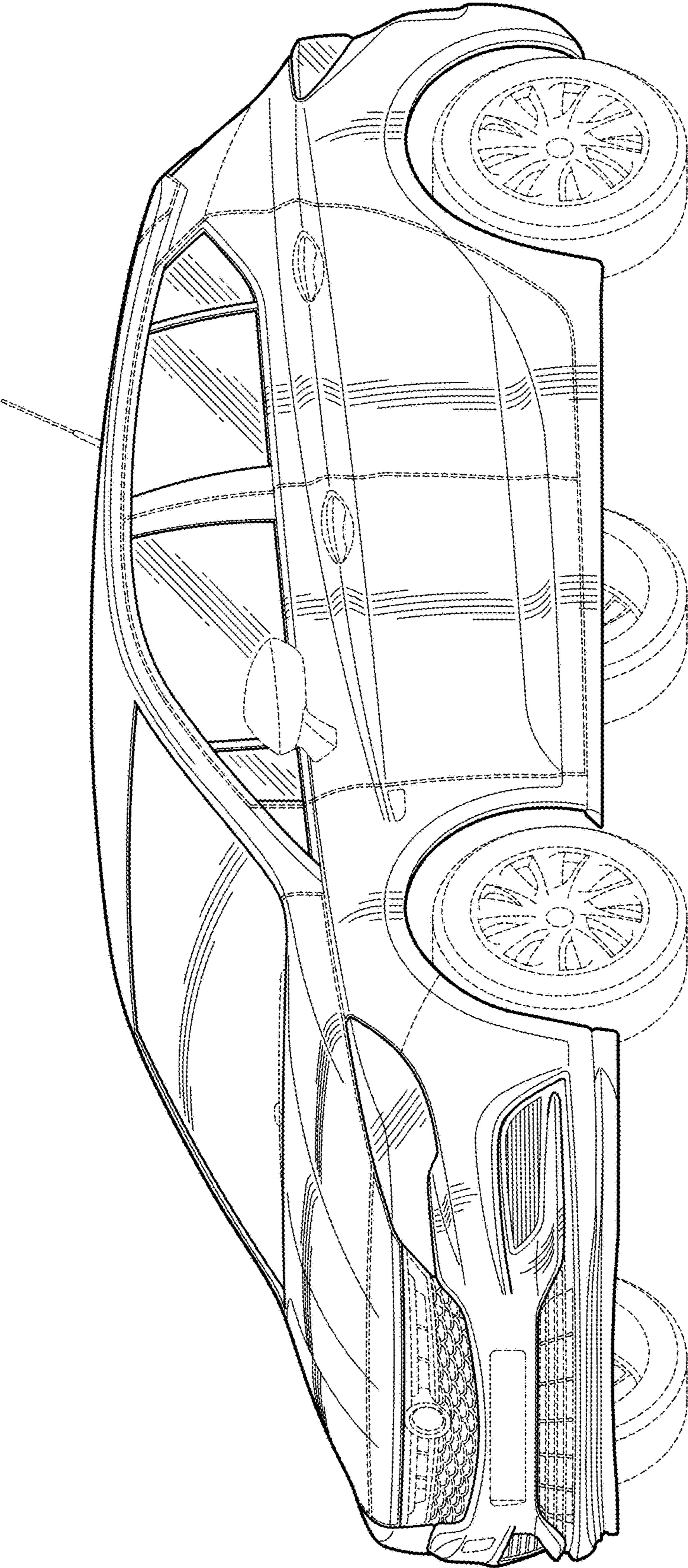


FIG. 1

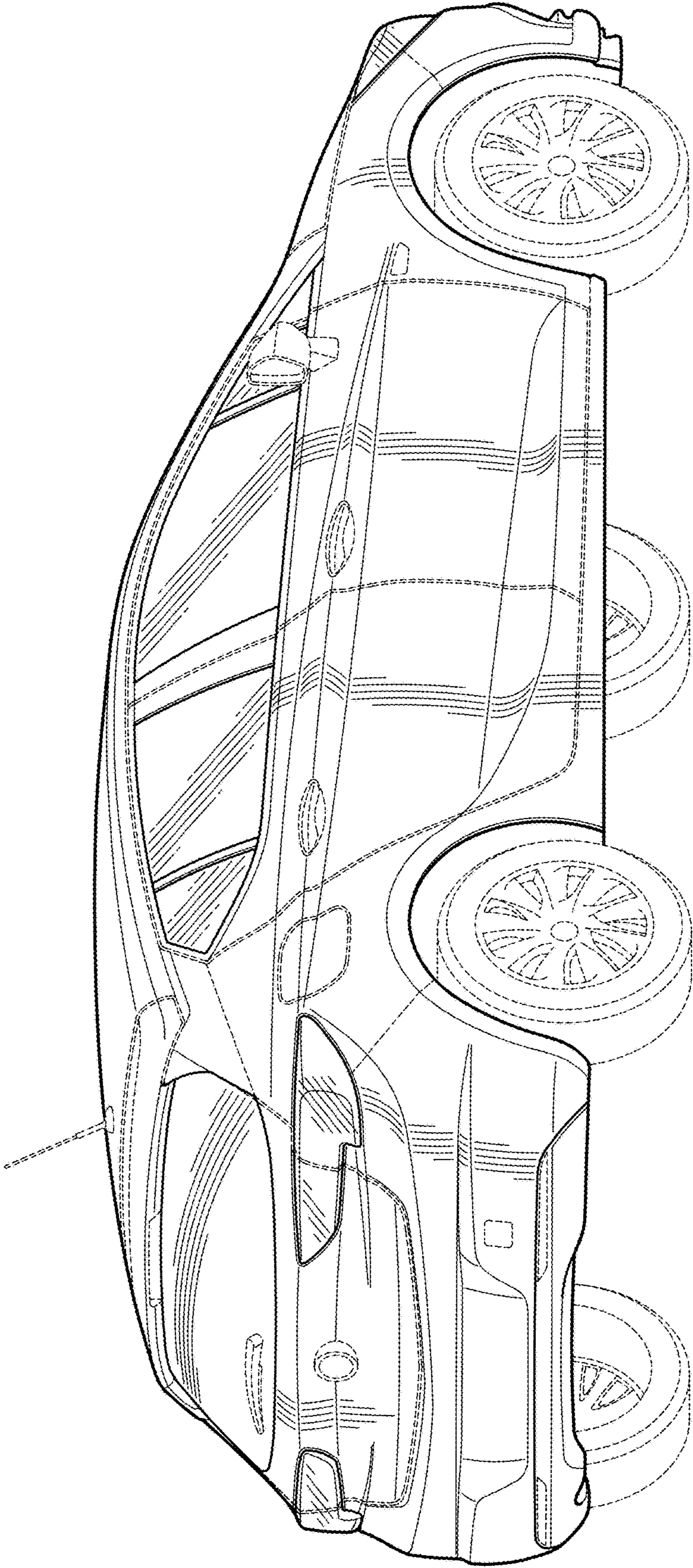


FIG. 2

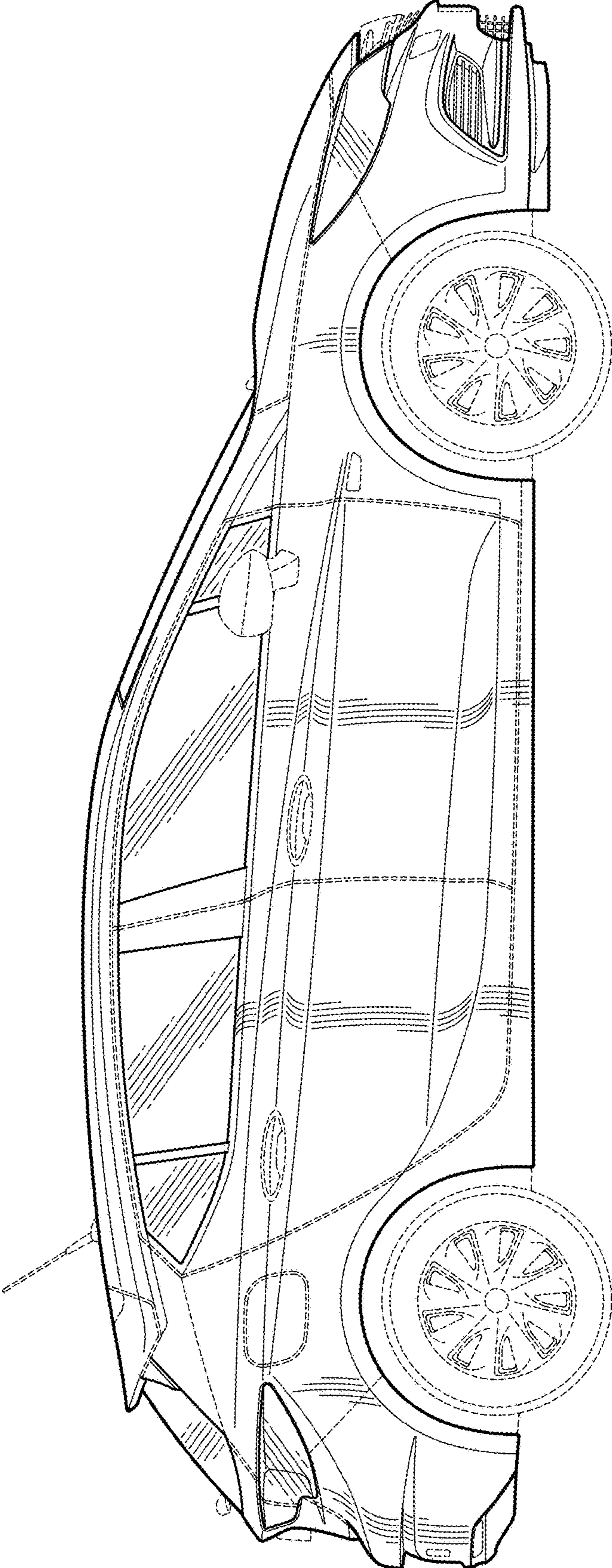


FIG. 3

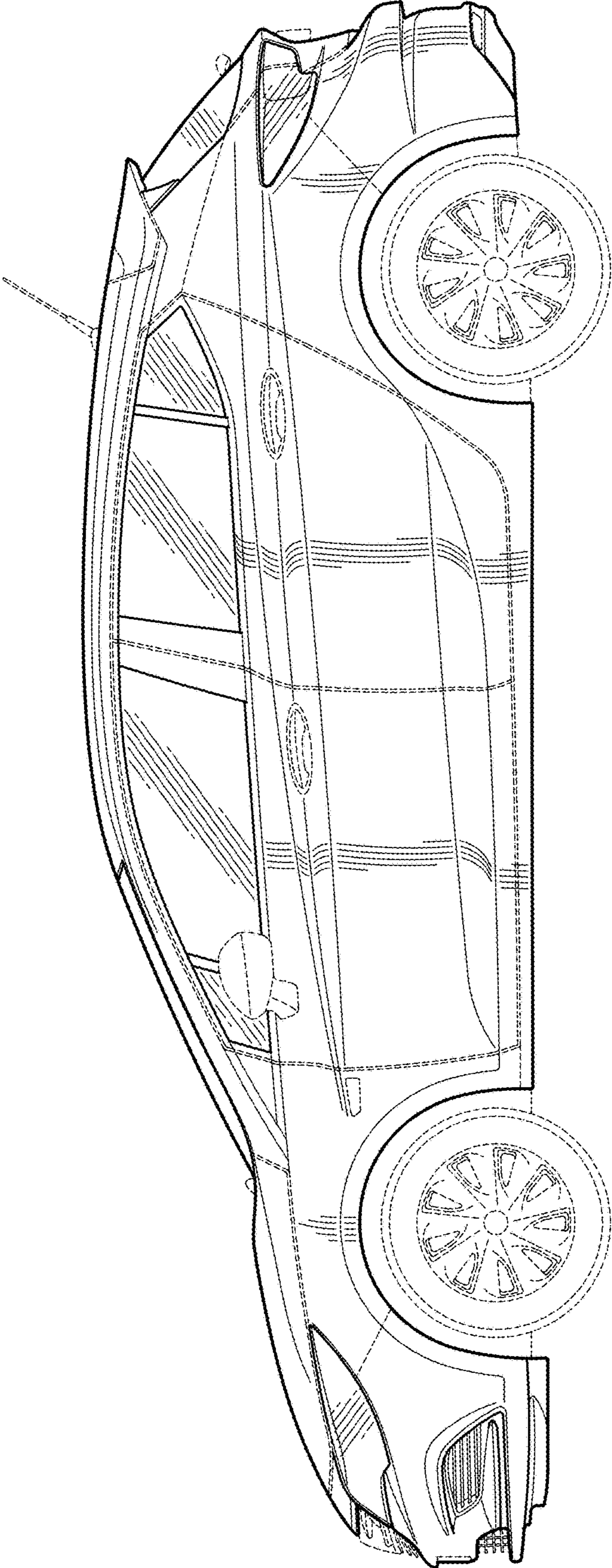


FIG. 4

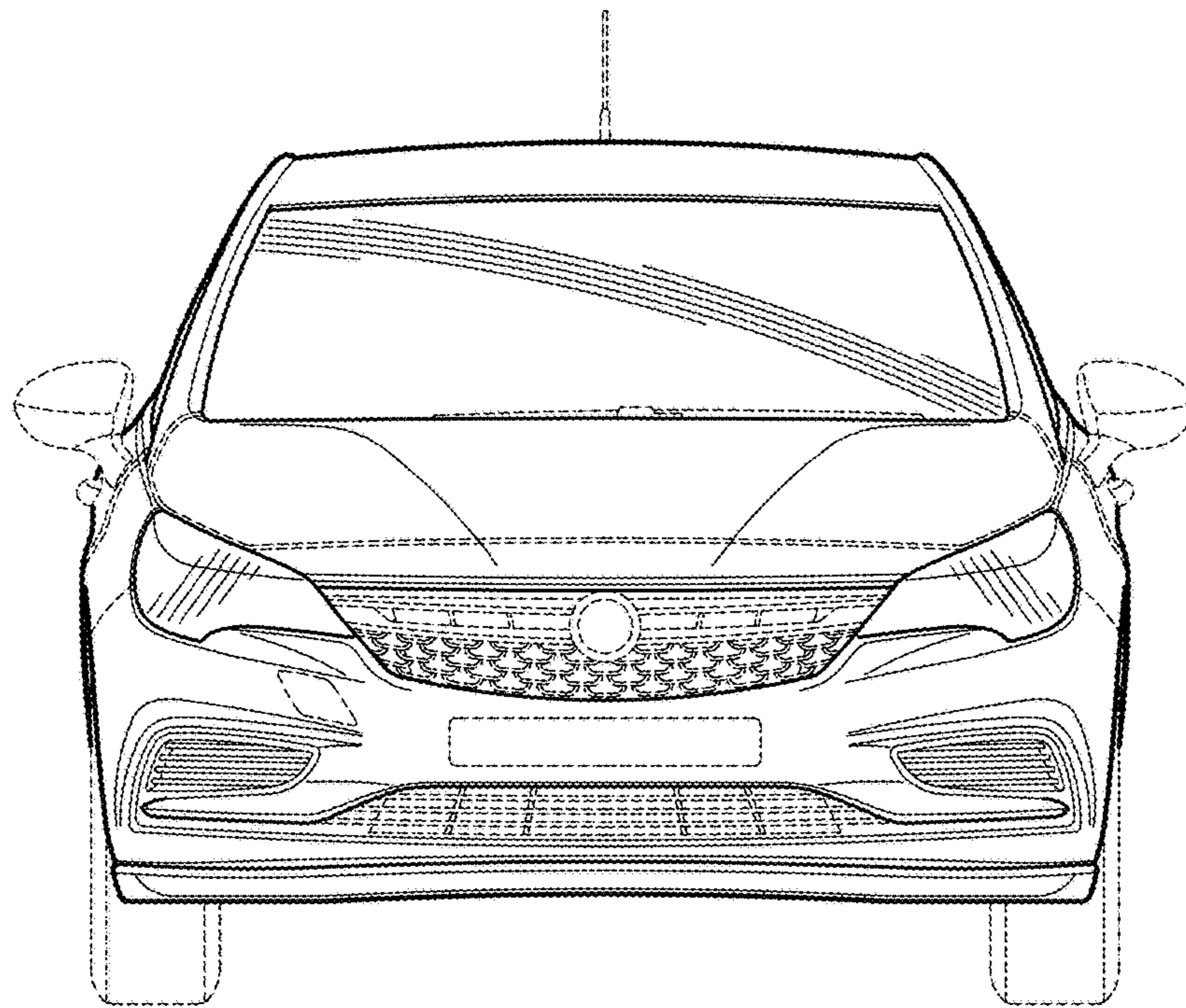


FIG. 5

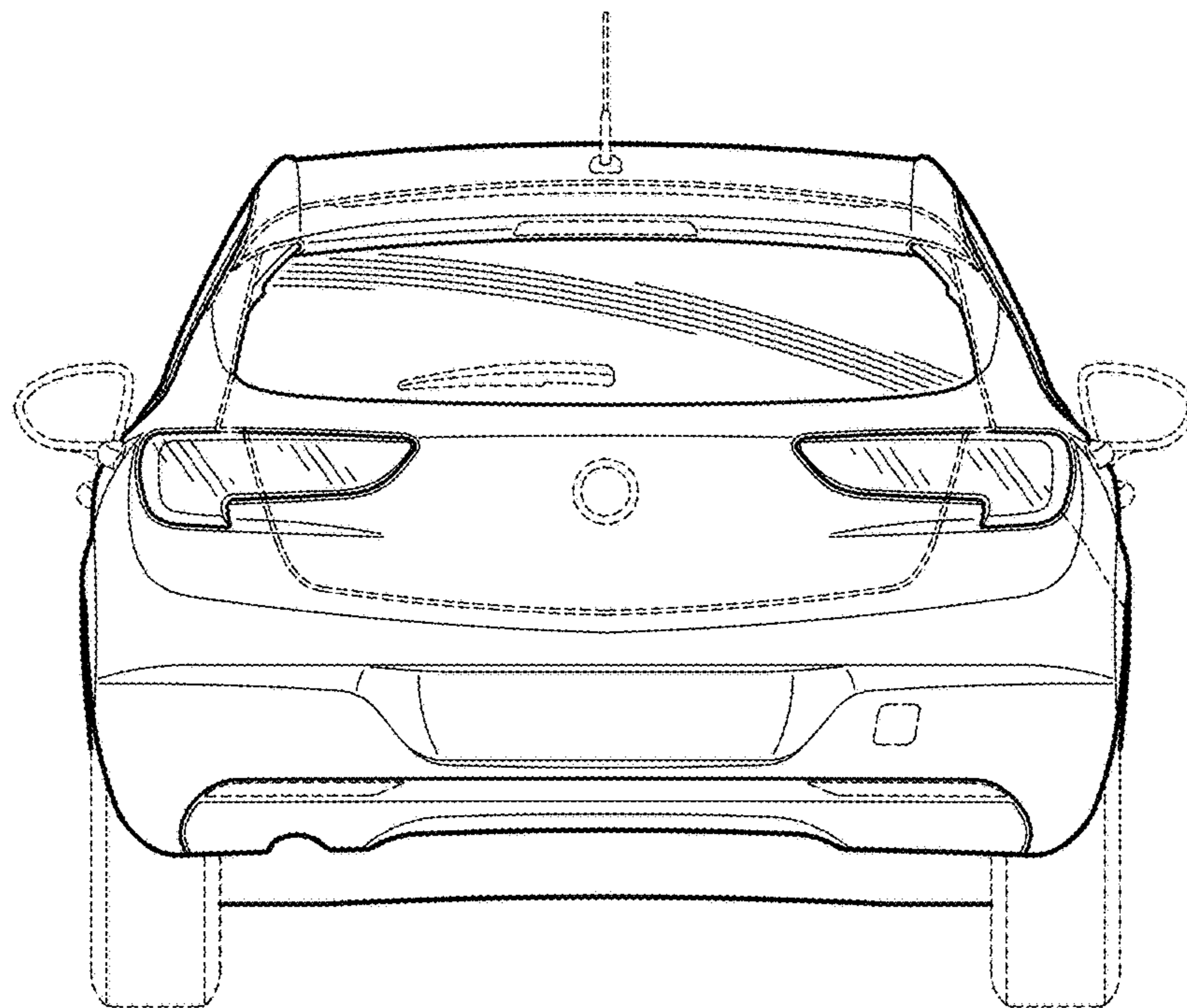


FIG. 6

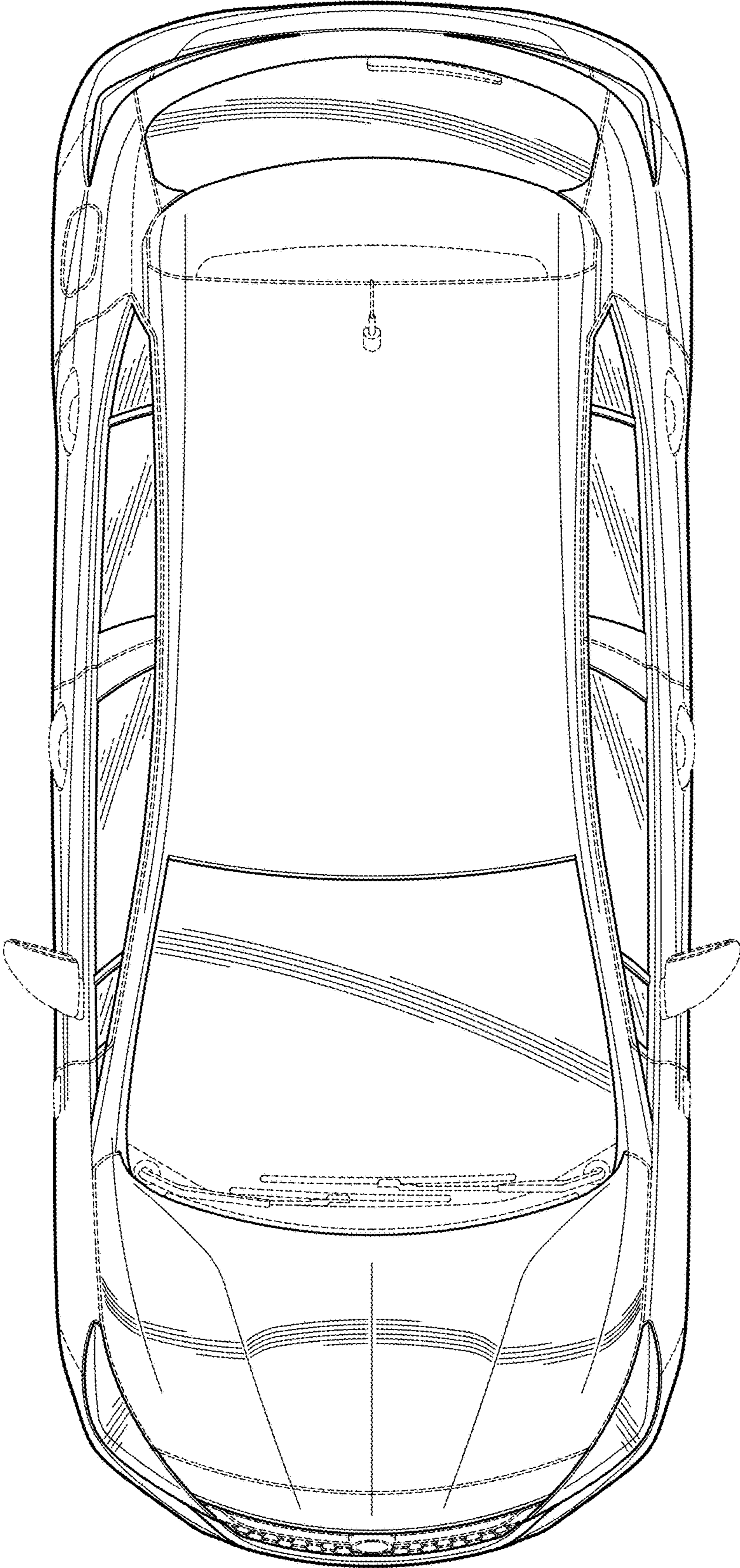


FIG. 7