



US00D788640S

(12) **United States Design Patent**
Larsson

(10) **Patent No.:** **US D788,640 S**

(45) **Date of Patent:** **** Jun. 6, 2017**

- (54) **SNOWMOBILE ACCESSORY**
- (71) Applicant: **Mora Contract Manufacturing AB,**
Mora (SE)
- (72) Inventor: **Jan Larsson,** Mora (SE)
- (73) Assignee: **MORA CONTRACT**
MANUFACTURING AB, Mora (SE)
- (**) Term: **15 Years**
- (21) Appl. No.: **29/536,421**
- (22) Filed: **Aug. 17, 2015**
- (30) **Foreign Application Priority Data**
Apr. 13, 2015 (EM) 002680108-0001
- (51) **LOC (10) Cl.** **12-14**
- (52) **U.S. Cl.**
USPC **D12/7**
- (58) **Field of Classification Search**
USPC D12/7, 8, 10, 9, 106, 101, 223; D34/24,
D34/27, 12
CPC B62B 15/007; B62B 17/06; B62B 19/02;
B62B 1/26; B62B 13/18; B62B 15/004;
B62B 15/008; B62B 19/00; B62M 27/00;
B62M 27/02; B62M 2027/025; B62M
2027/026; B62M 2027/028; B62M
2027/021; B62M 2027/022; A63C 5/00;
B60K 11/04
See application file for complete search history.

- (56) **References Cited**
U.S. PATENT DOCUMENTS
1,947,154 A * 2/1934 Fox B62B 13/18
280/8
3,521,717 A * 7/1970 Coons B62B 13/18
180/185

- 3,570,617 A * 3/1971 O'Day B62B 13/18
180/184
- 3,777,829 A * 12/1973 Rogers B62M 27/02
180/184
- 5,439,237 A * 8/1995 Kutchie B62B 19/02
280/11
- 5,441,378 A * 8/1995 Puls B60P 3/062
254/8 R
- D465,897 S * 11/2002 Smith D34/23
- 6,749,036 B1 * 6/2004 Schrapp B62K 19/46
180/190
- D500,904 S * 1/2005 Probol D34/24
- D655,881 S * 3/2012 Plesh D34/24
- 2002/0135141 A1 * 9/2002 Ouellette B62K 13/00
280/7.14
- 2003/0230607 A1 * 12/2003 Tweet B60P 3/14
224/401
- 2006/0151983 A1 * 7/2006 Despres B62B 13/18
280/767
- 2008/0315541 A1 * 12/2008 Konopa B62B 1/26
280/47.131

(Continued)

Primary Examiner — T. Chase Nelson
Assistant Examiner — Ania Aman
(74) *Attorney, Agent, or Firm* — Nixon & Vanderhye P.C.

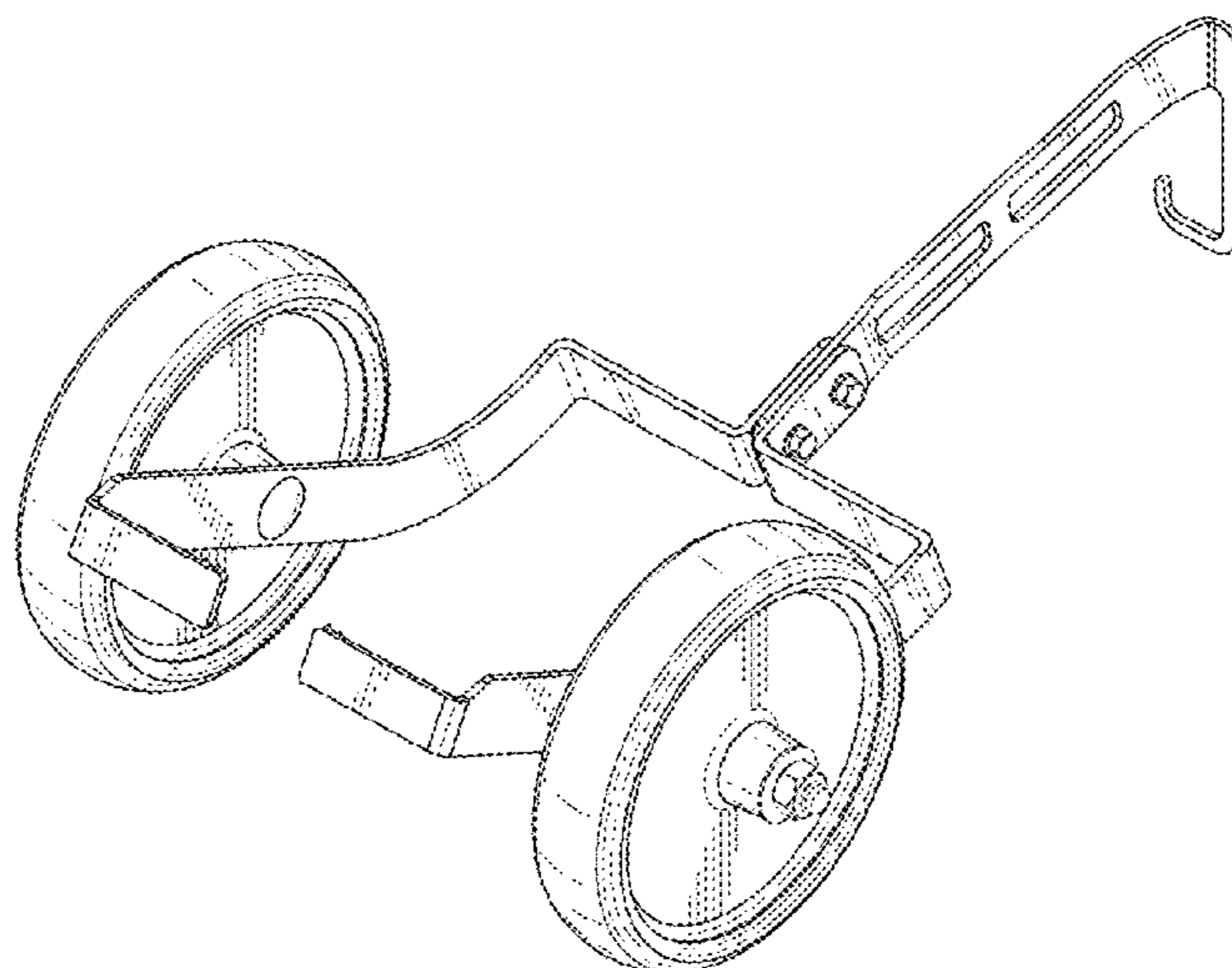
(57) **CLAIM**

The ornamental design for a snowmobile accessory, as shown and described.

DESCRIPTION

FIG. 1 is a perspective view of a snowmobile accessory according to the present invention;
FIG. 2 is a side view thereof;
FIG. 3 is an opposite side view thereof;
FIG. 4 is a plan view thereof;
FIG. 5 is an opposite plan view thereof;
FIG. 6 is an end view thereof;
FIG. 7 is an opposite end view thereof; and,
FIG. 8 is an alternative perspective view thereof.

1 Claim, 6 Drawing Sheets



(56)

References Cited

U.S. PATENT DOCUMENTS

2015/0123360 A1* 5/2015 Ouellette A63C 5/00
280/9
2016/0083973 A1* 3/2016 Dilone, Jr. E04H 15/001
135/96
2016/0121944 A1* 5/2016 Martel B62D 55/07
37/266
2016/0368746 A1* 12/2016 Thomsen B66F 5/02

* cited by examiner

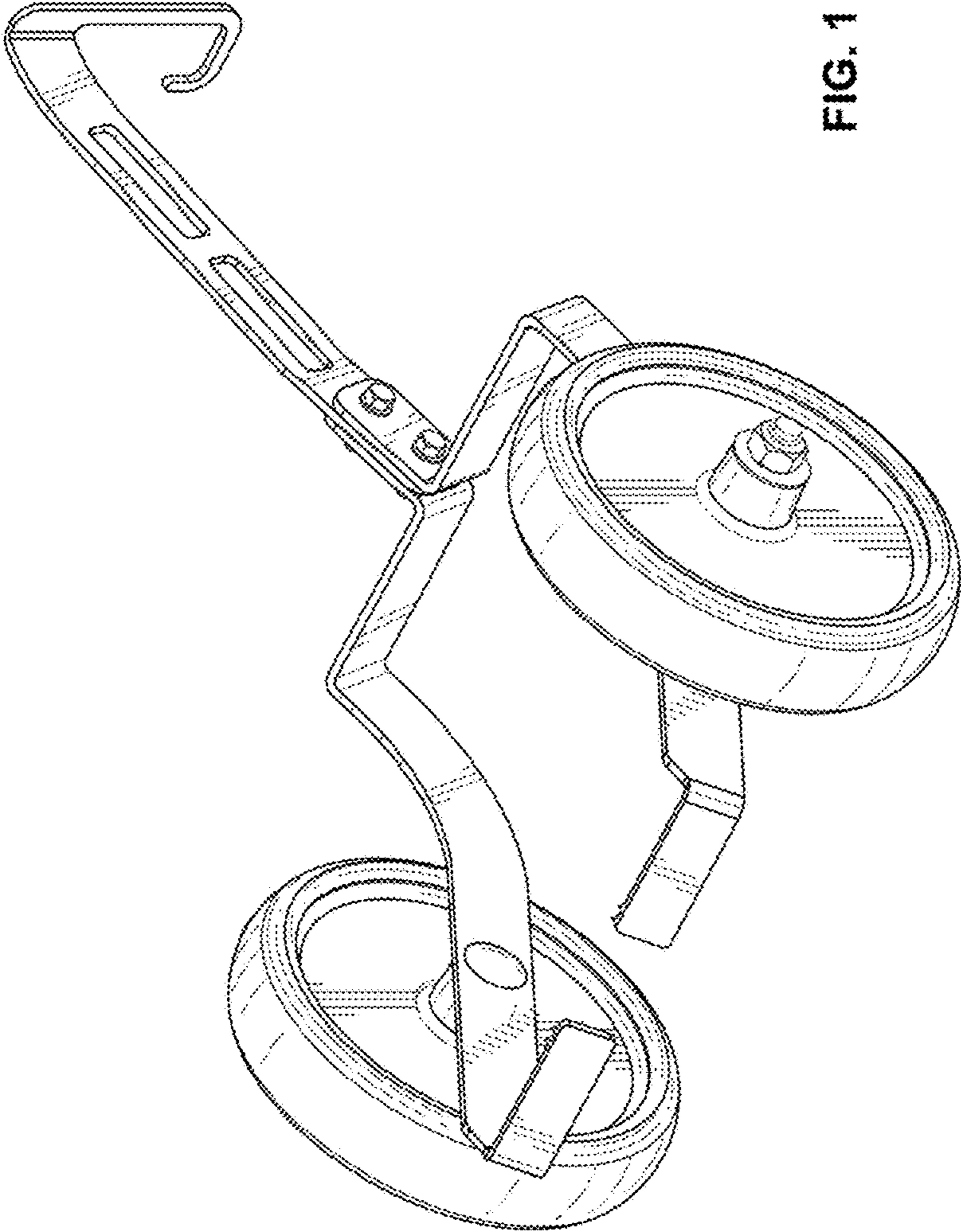


FIG. 1

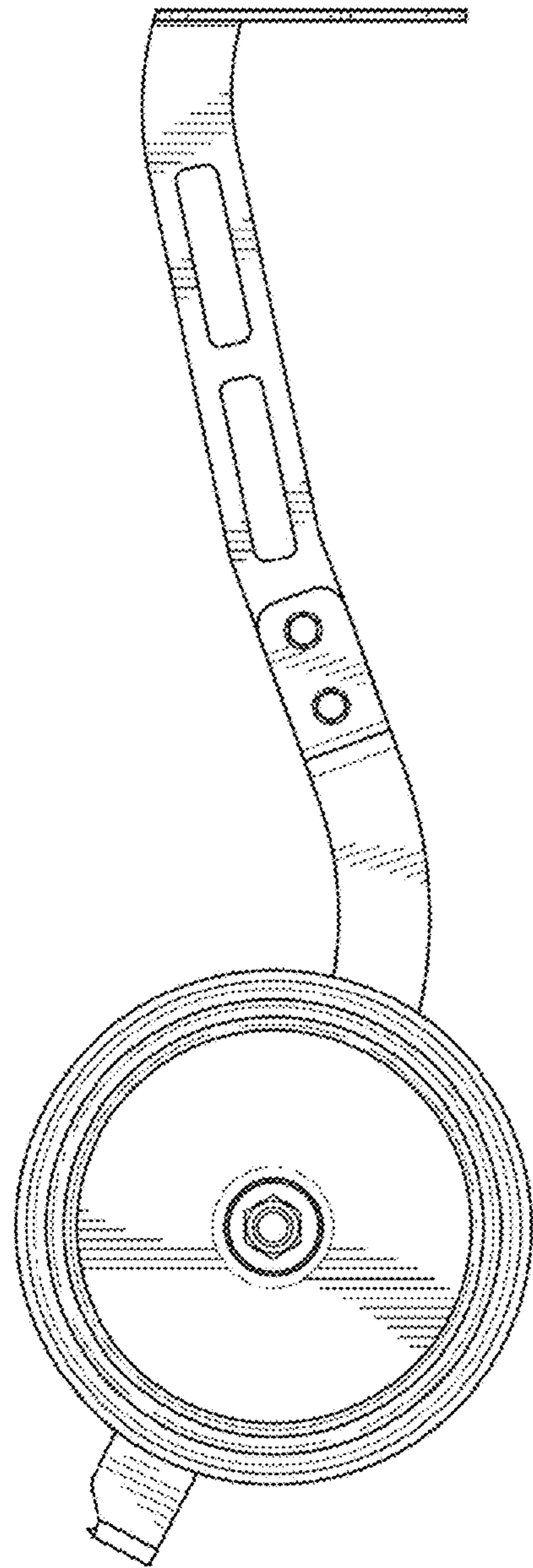


FIG. 2

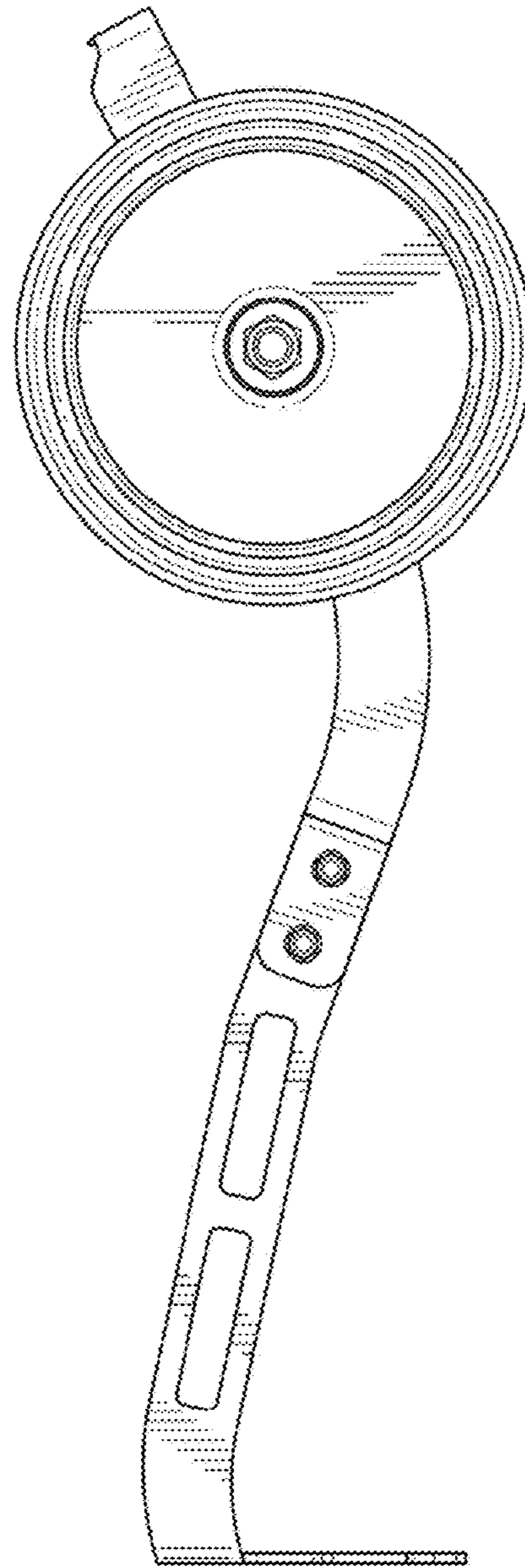


FIG. 3

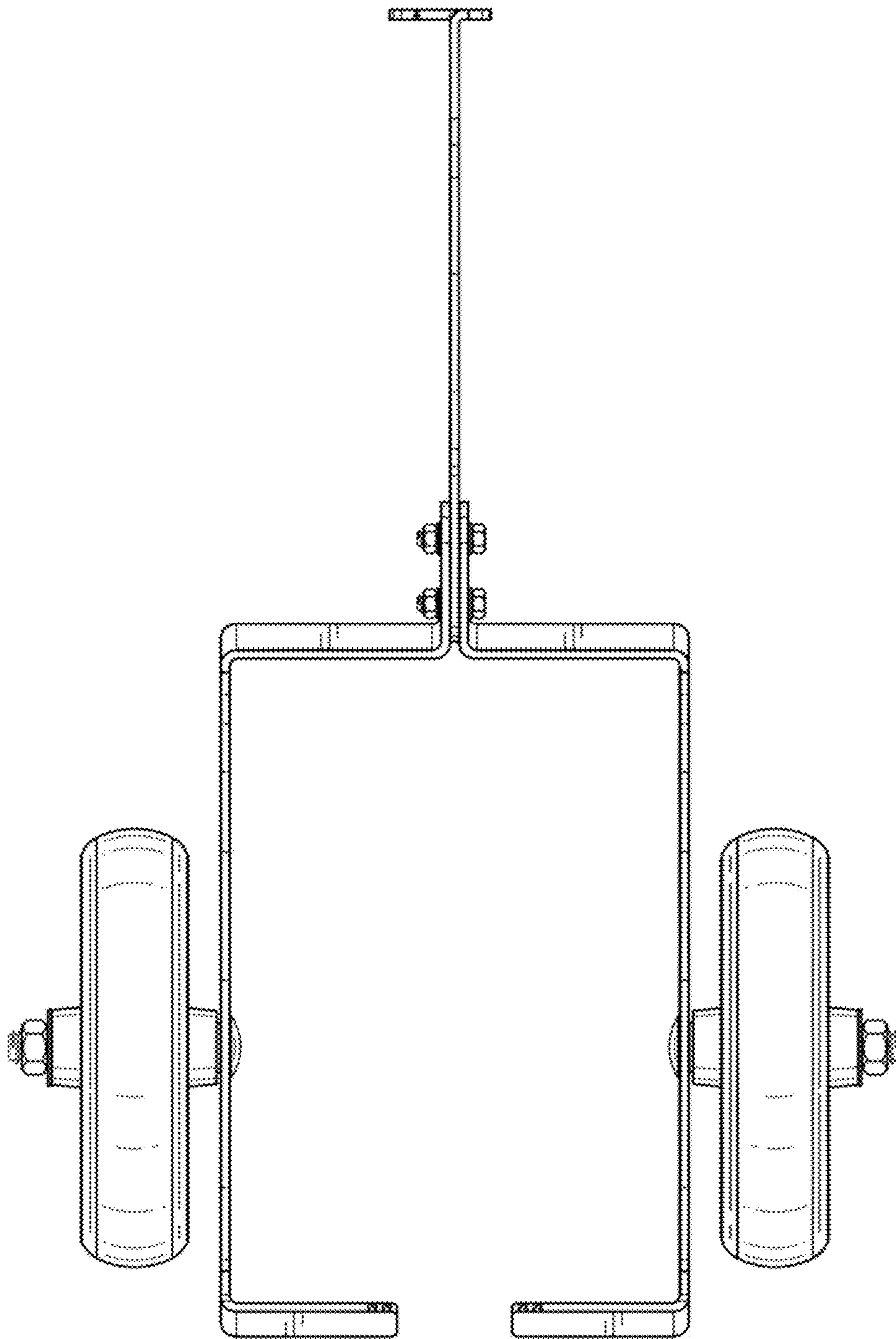


FIG. 4

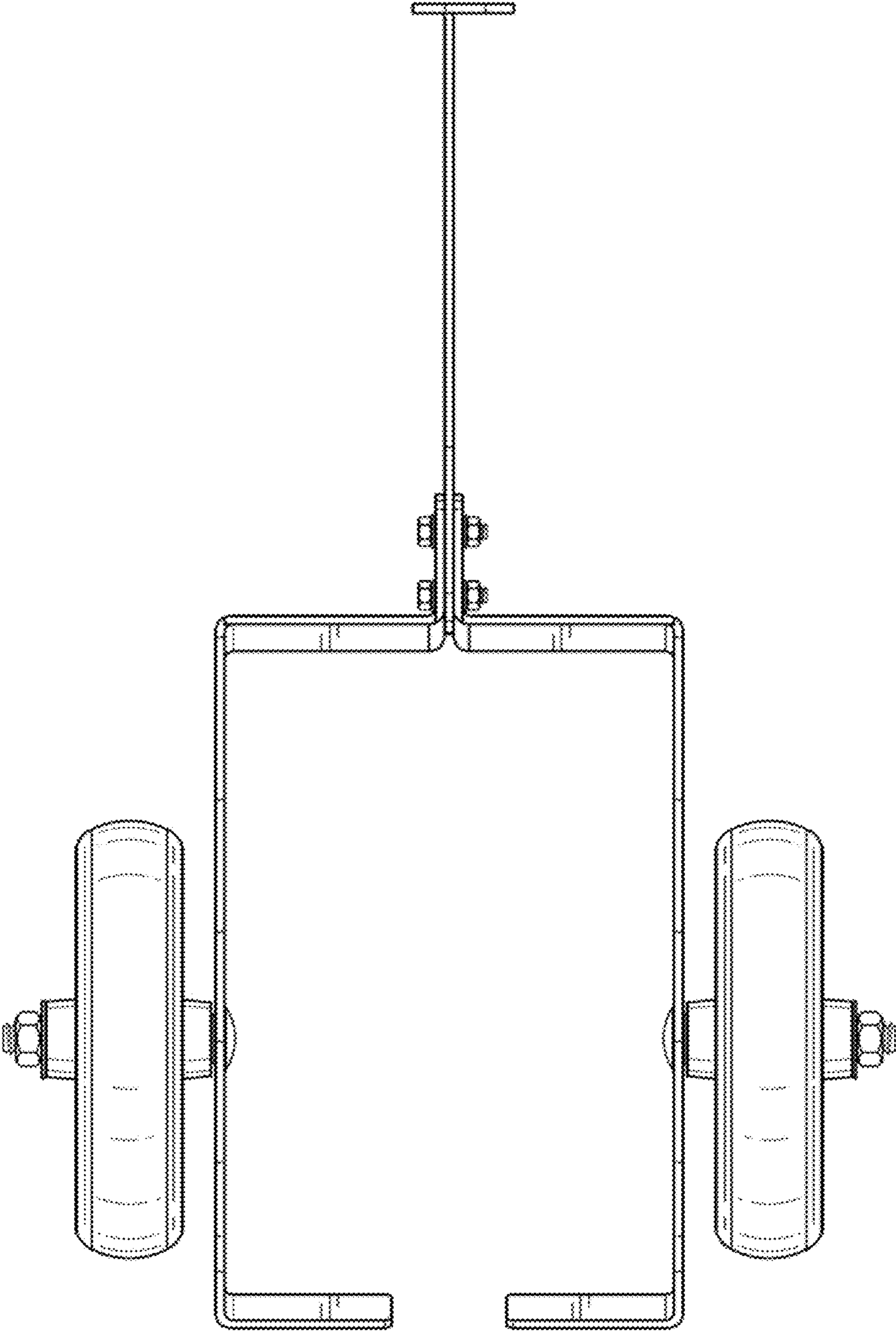


FIG. 5

FIG. 6

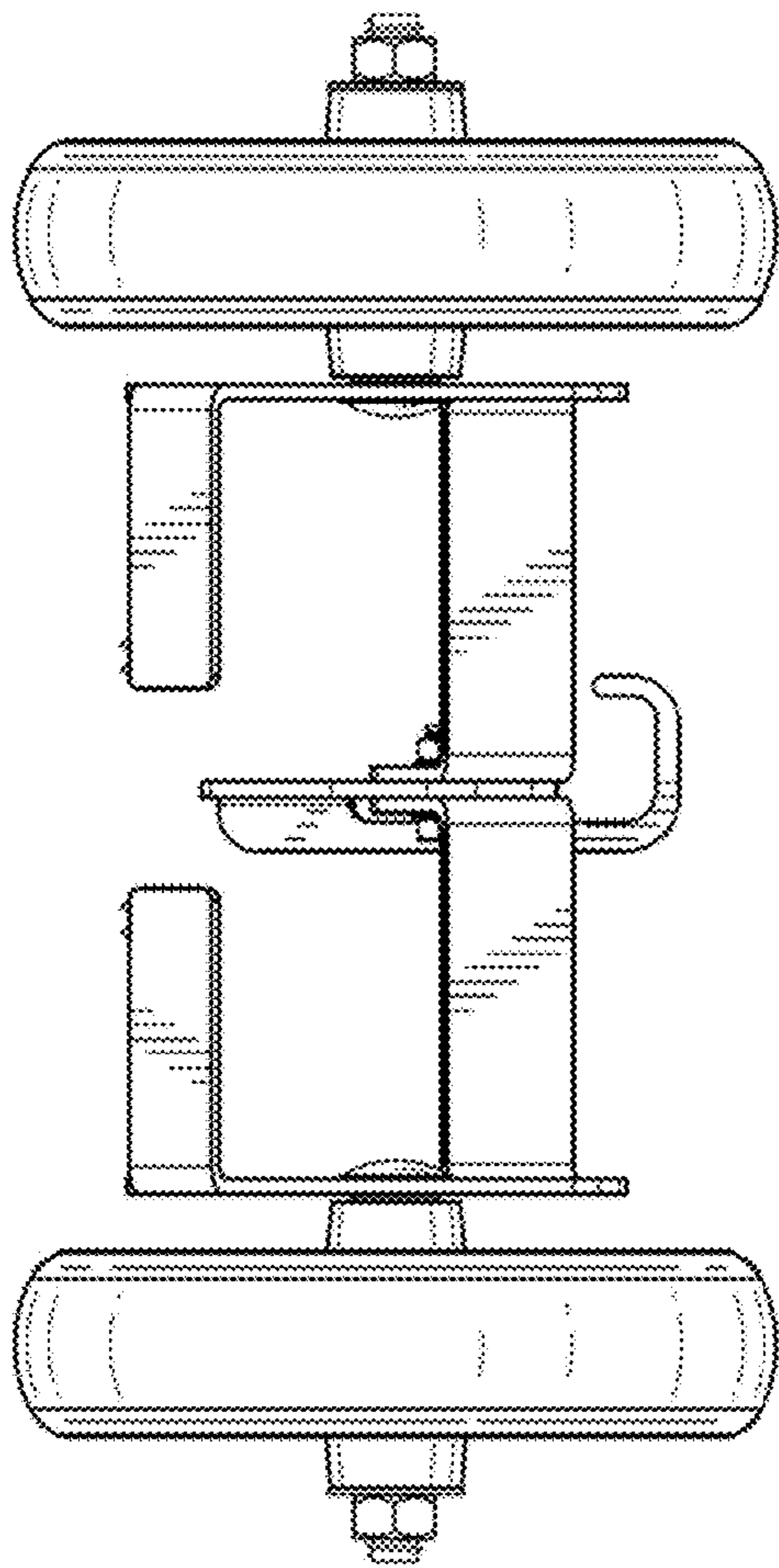
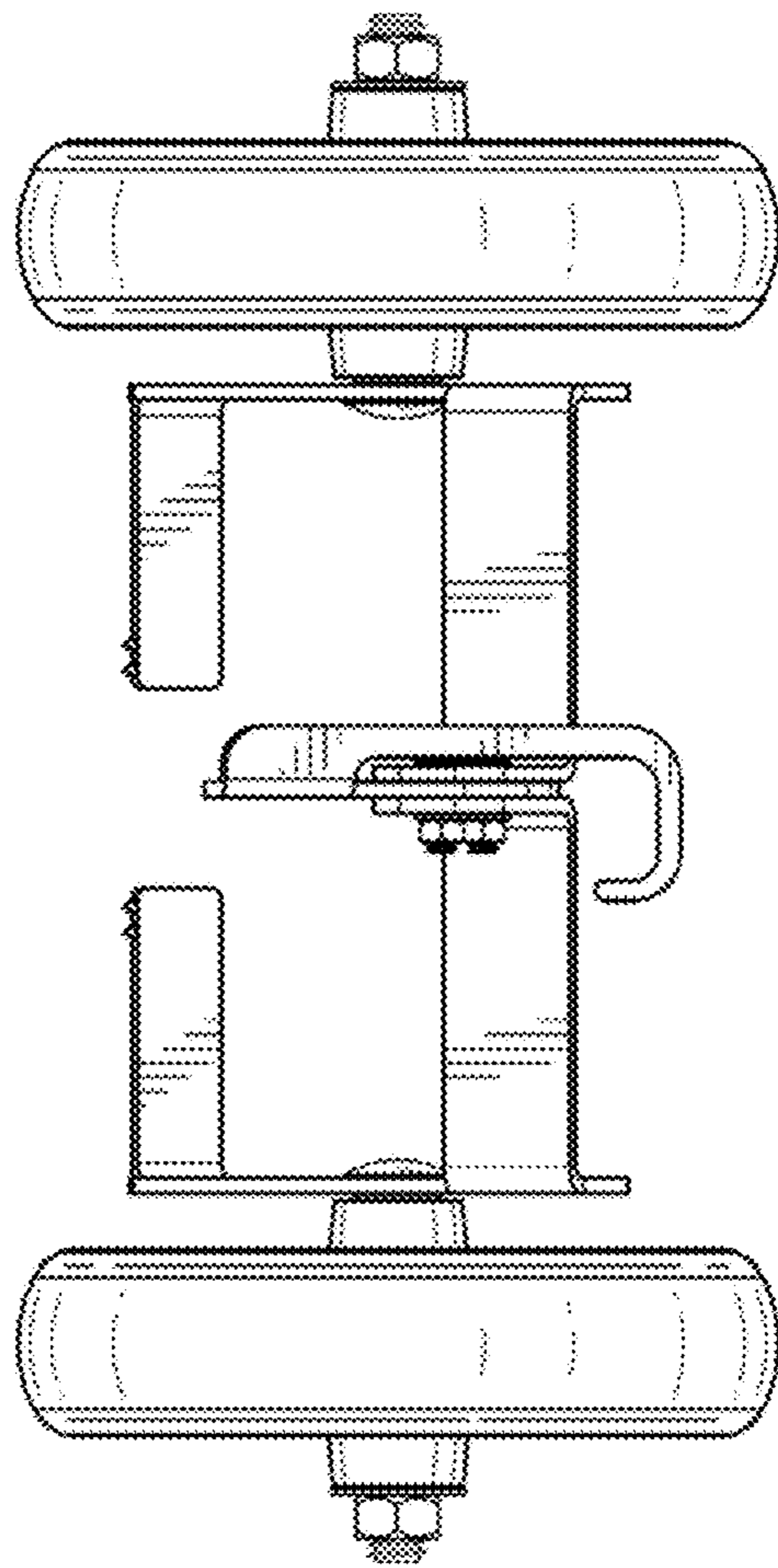


FIG. 7



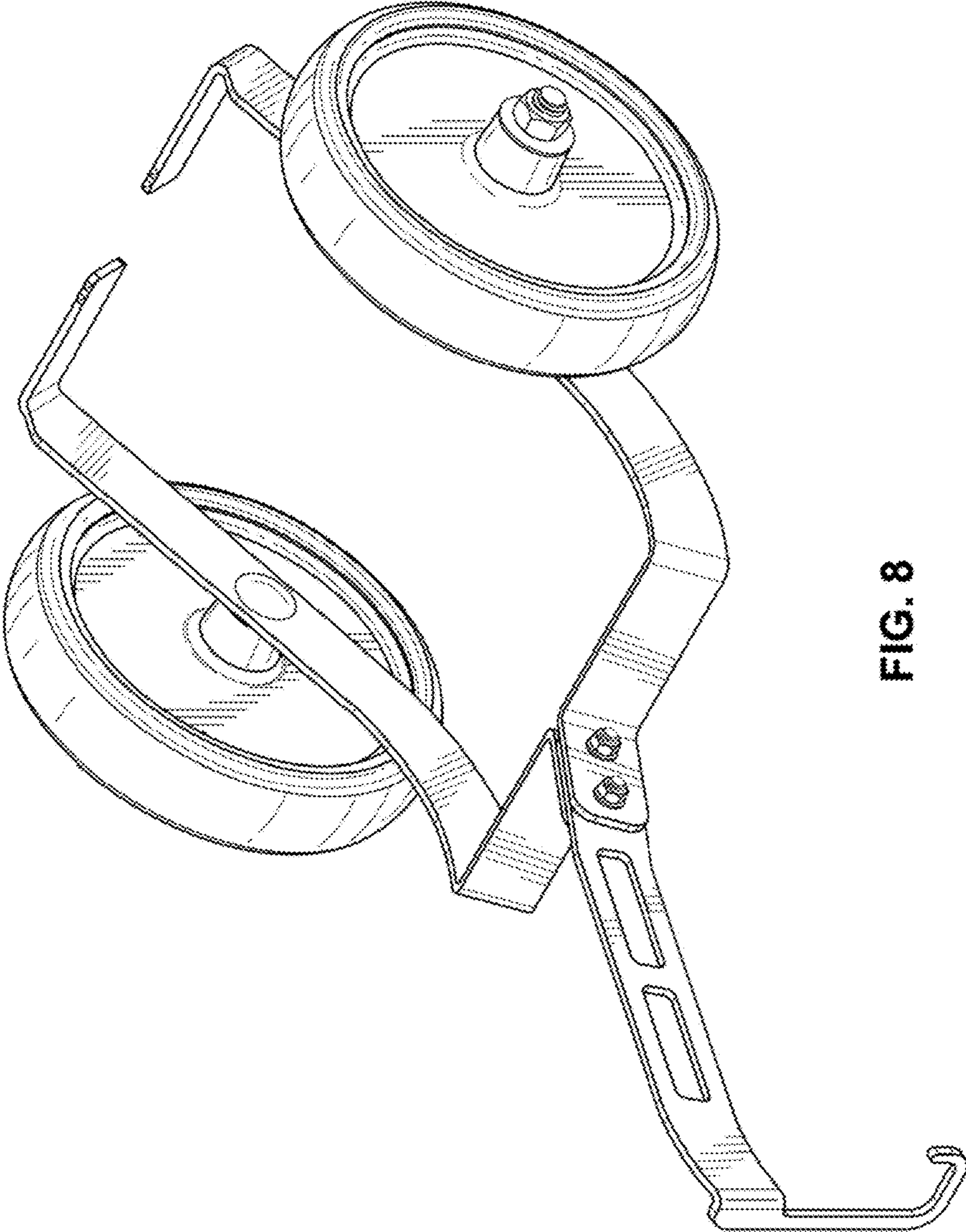


FIG. 8