



US00D788638S

(12) **United States Design Patent** (10) **Patent No.:** **US D788,638 S**
Sullivan et al. (45) **Date of Patent:** **** Jun. 6, 2017**

(54) **FABRIC CONTAINMENT DEVICE**

2010/0043125 A1* 2/2010 MacLean A44B 11/04
2/336

(71) Applicants: **Deborah Sullivan**, Amherst, NY (US);
Kaelyn Sullivan, Amherst, NY (US);
Camryn Sullivan, Amherst, NY (US)

* cited by examiner

(72) Inventors: **Deborah Sullivan**, Amherst, NY (US);
Kaelyn Sullivan, Amherst, NY (US);
Camryn Sullivan, Amherst, NY (US)

Primary Examiner — Ralf Seifert

(74) *Attorney, Agent, or Firm* — Vincent G. LoTempio;
Kloss, Stenger & LoTempio; David T. Stephenson

(**) Term: **15 Years**

(57) **CLAIM**

The ornamental design for fabric containment device, as shown and described.

(21) Appl. No.: **29/534,683**

DESCRIPTION

(22) Filed: **Jul. 30, 2015**

(51) **LOC (10) Cl.** **11-07**

(52) **U.S. Cl.**
USPC **D11/200**

(58) **Field of Classification Search**
USPC D11/1–2, 200–218; 24/163 R, 169–171,
24/173, 177–179, 191, 194–195, 197,
24/200, 614–616, 625, 198, 578.11,
24/578.1, 163 K, 114; 2/236, 300
CPC A44B 11/26; A44B 11/25; A44B 11/06;
A41F 19/00
See application file for complete search history.

FIG. 1 is a front perspective view of a fabric containment device showing our new design in a position of use on a shirt;

FIG. 2 is a rear perspective view shown in a position of use with a scarf;

FIG. 3 is a front perspective view, shown in a disassembled position;

FIG. 4 is a rear perspective view of FIG. 3;

FIG. 5 is a top plan view of FIG. 3;

FIG. 6 is a bottom plan view of FIG. 3;

FIG. 7 is a left side elevational view of FIG. 3, the right side being a mirror image;

FIG. 8 is a front elevational view of FIG. 3;

FIG. 9 is a rear elevational view of FIG. 3;

FIG. 10 is a front perspective view shown in an assembled position with the non-claimed environmental matter;

FIG. 11 is a rear perspective view of FIG. 10;

FIG. 12 is a top plan view of FIG. 10;

FIG. 13 is a bottom plan view of FIG. 10;

FIG. 14 is a left side elevational view of FIG. 10, the right side being a mirror image;

FIG. 15 is a front elevational view of FIG. 10; and,

FIG. 16 is a rear elevational view of FIG. 10.

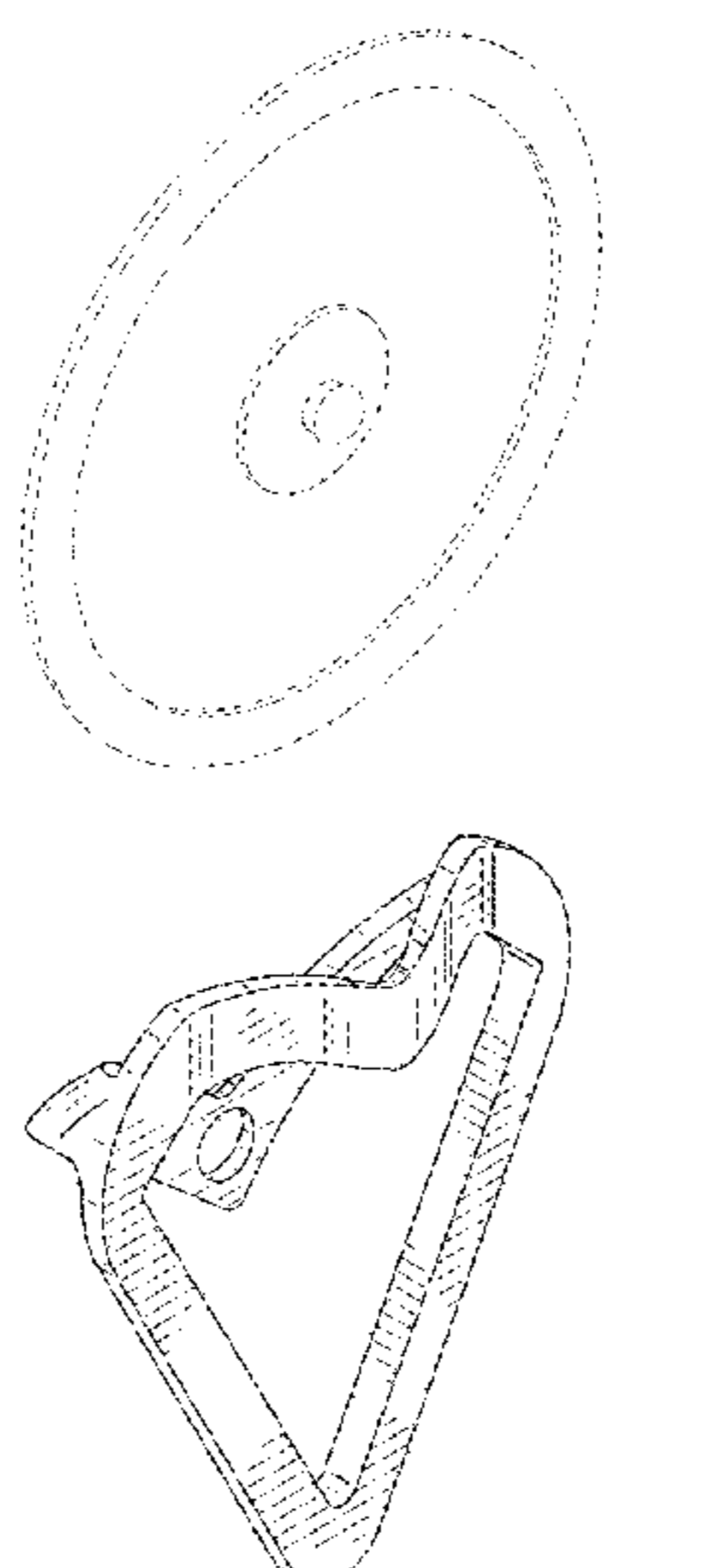
The broken line showing of a shirt, a scarf and model, and attachments is included for the purpose of illustrating environmental matter only and forms no part of the claimed design.

(56) **References Cited**

U.S. PATENT DOCUMENTS

D125,673 S *	3/1941	Silverman	D11/202
5,156,023 A *	10/1992	Bevolo	A44C 1/00
			24/103
5,765,232 A *	6/1998	Pryor	A41D 1/16
			2/216
D621,296 S *	8/2010	Kennelty	D11/210
D625,654 S *	10/2010	Spater	D11/210
D694,151 S *	11/2013	Johnson	D11/200
D708,984 S *	7/2014	MacNeil	D11/1
D729,118 S *	5/2015	Johnson	D11/200
9,247,777 B2 *	2/2016	Sullivan	A41F 19/00
9,521,881 B2 *	12/2016	Bachtold	A44B 11/04

1 Claim, 8 Drawing Sheets



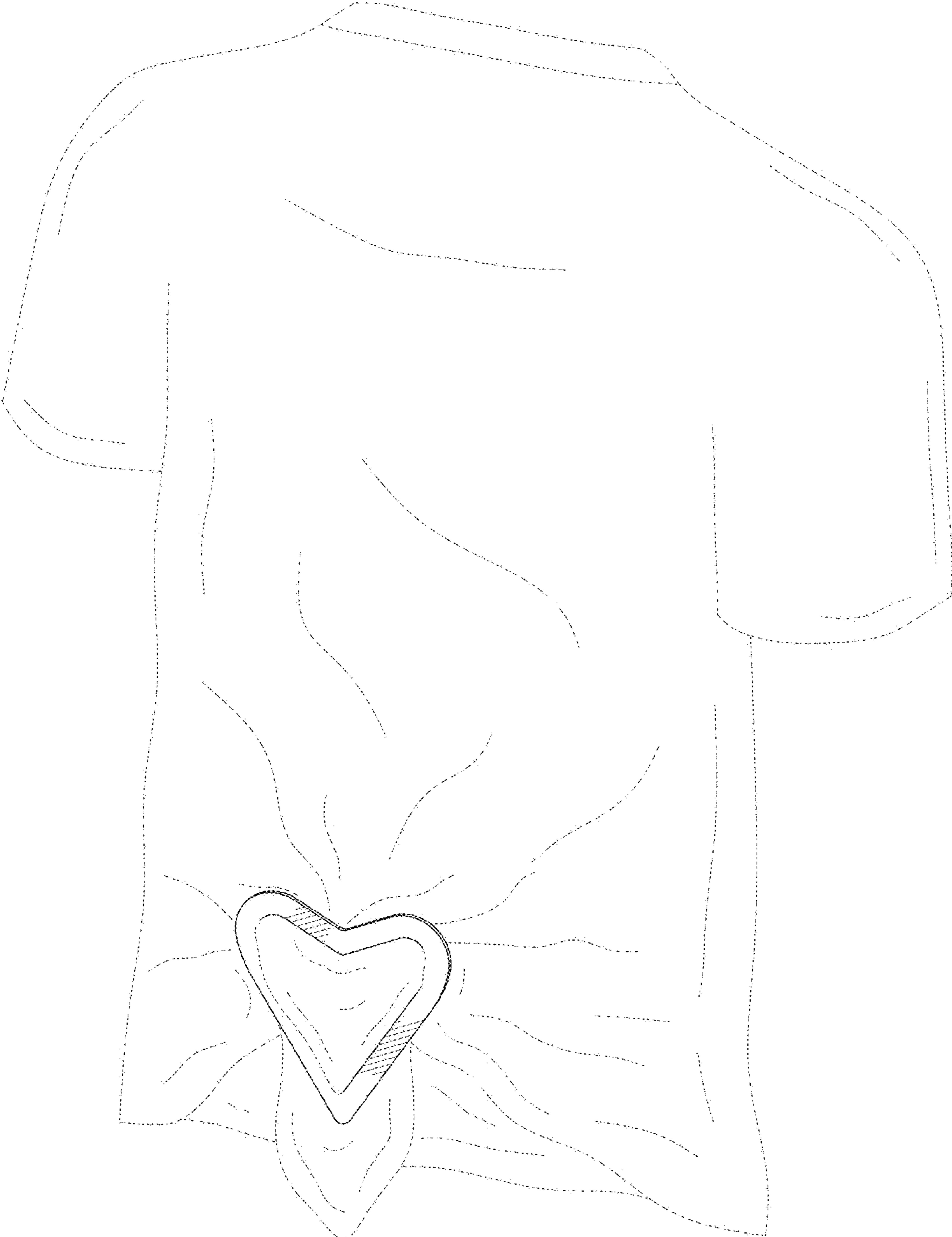


FIG. 1

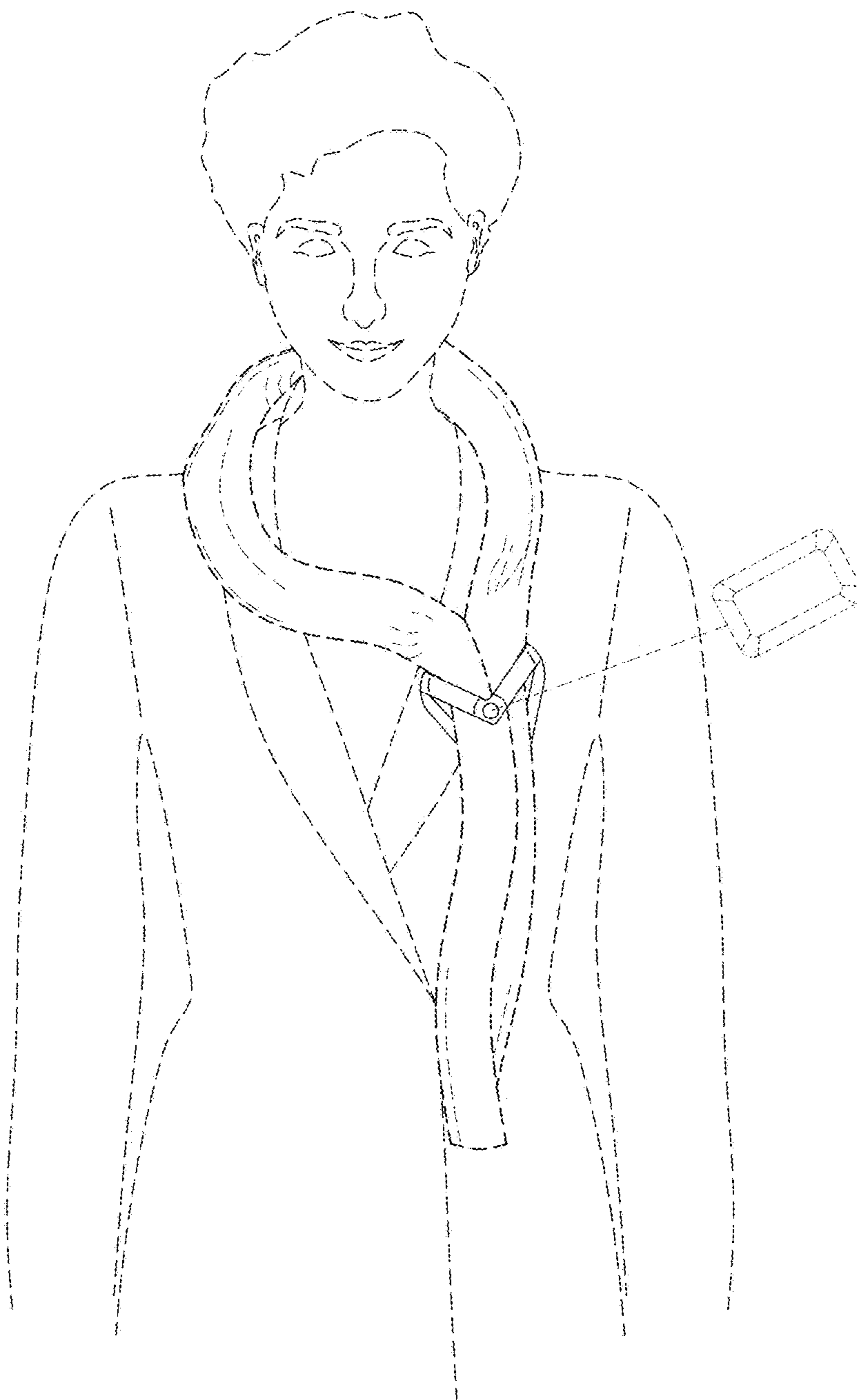


FIG. 2

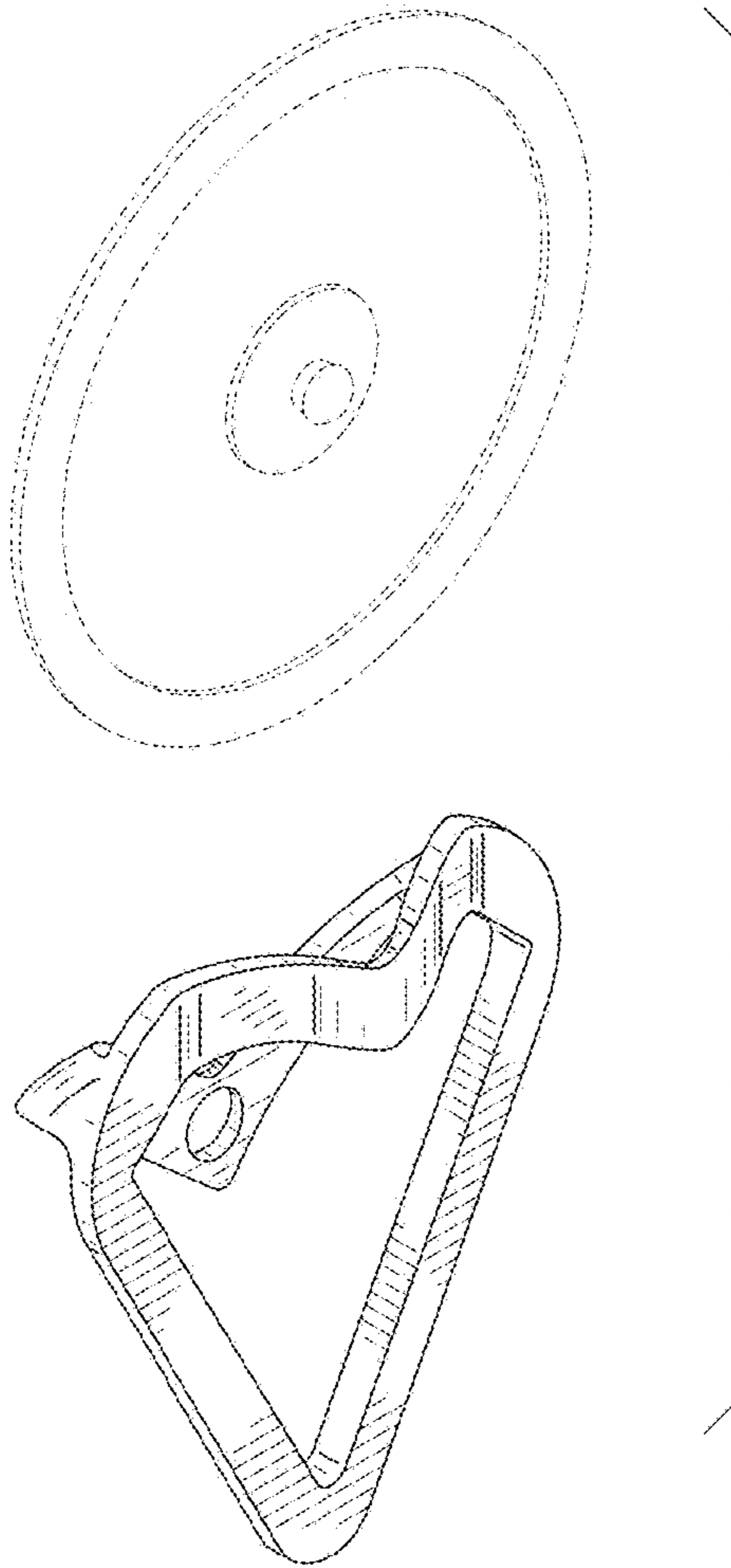


FIG. 3

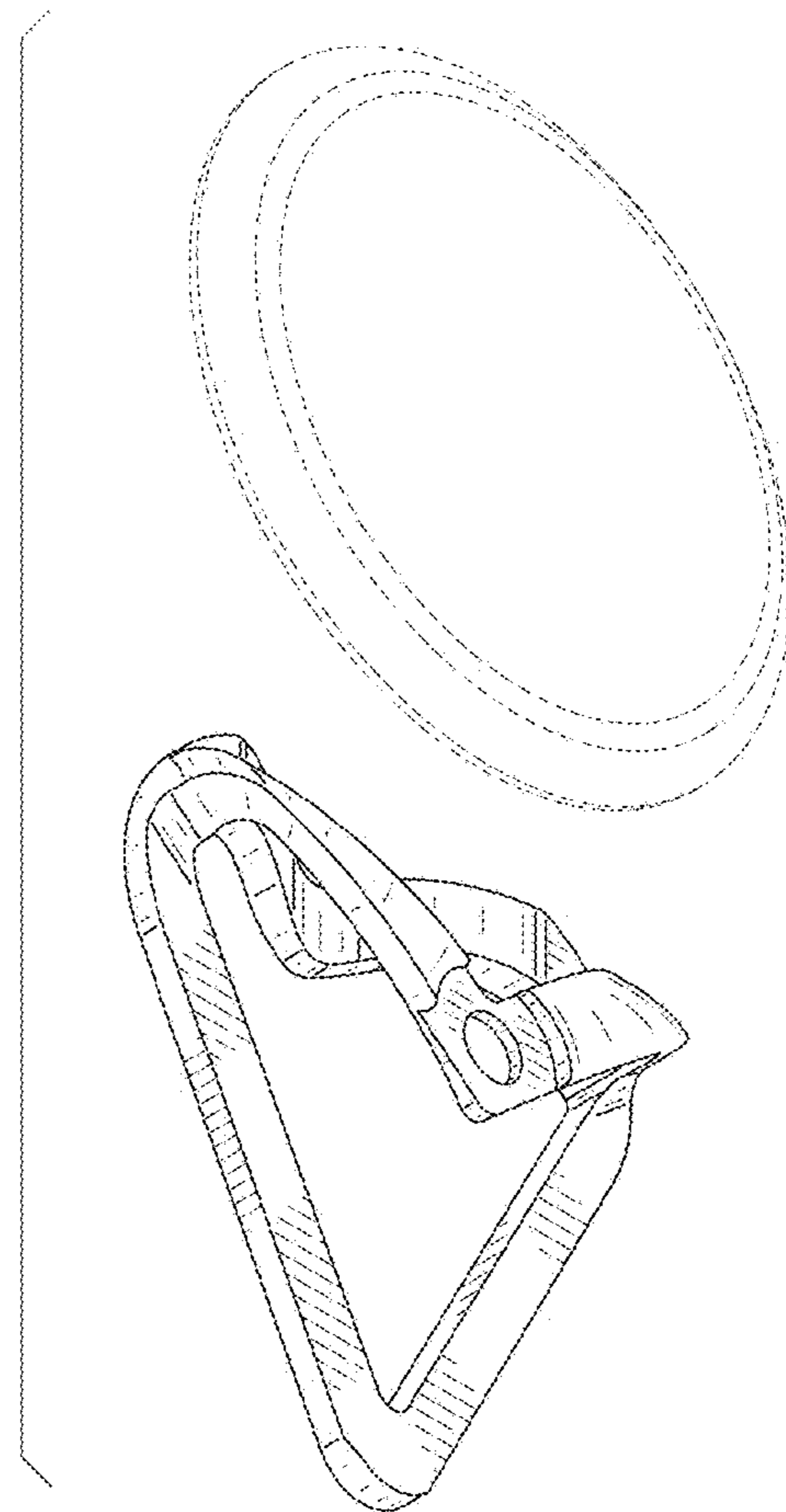


FIG. 4

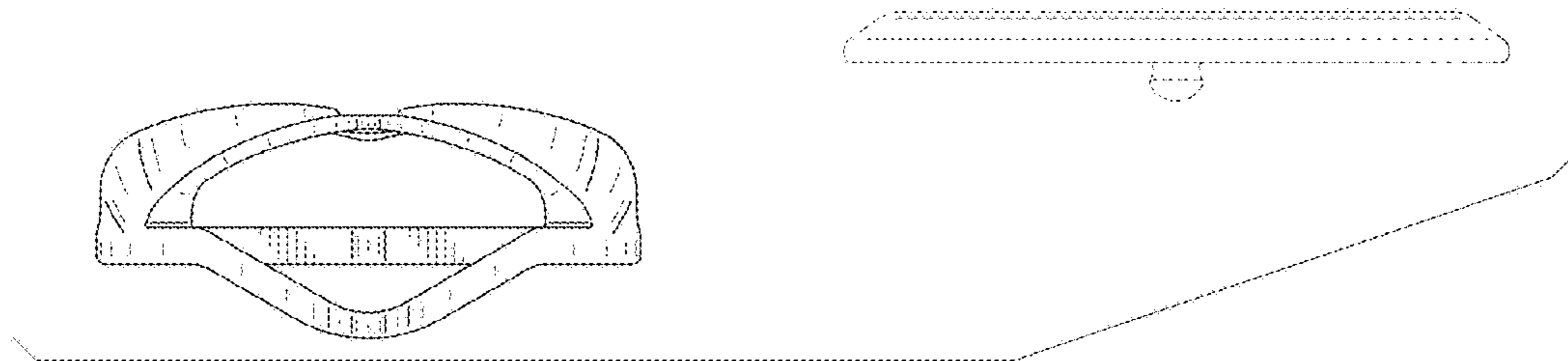


FIG. 5

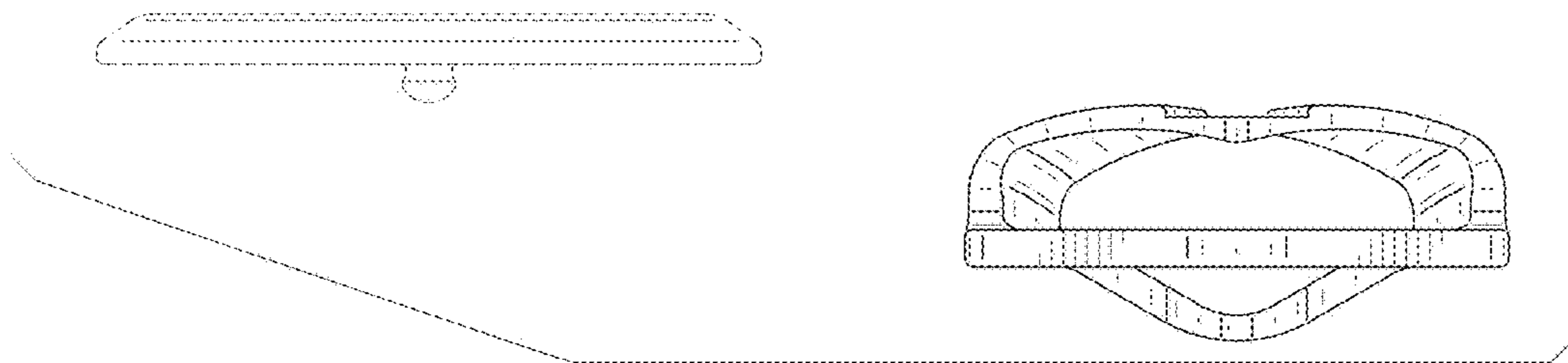


FIG. 6

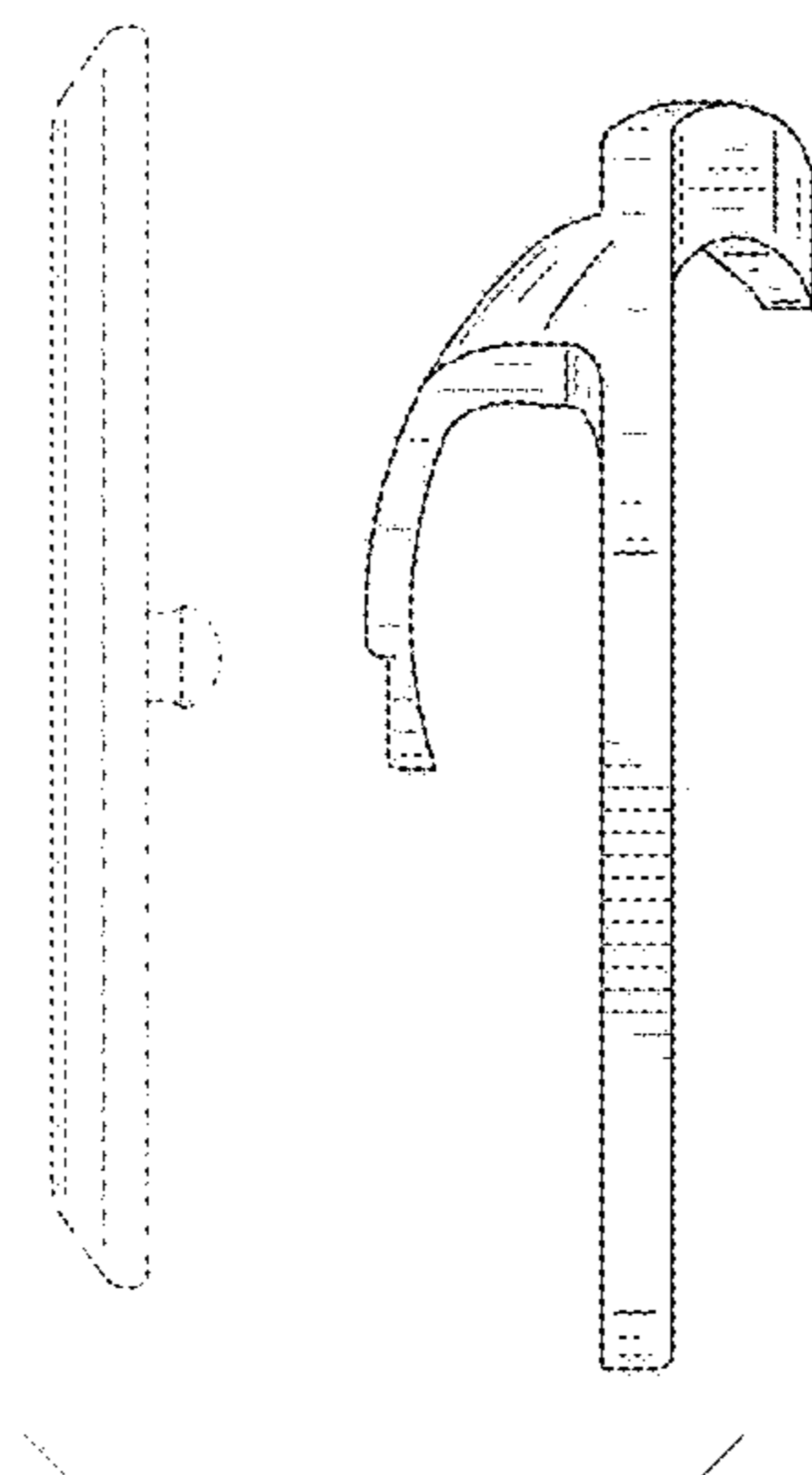


FIG. 7

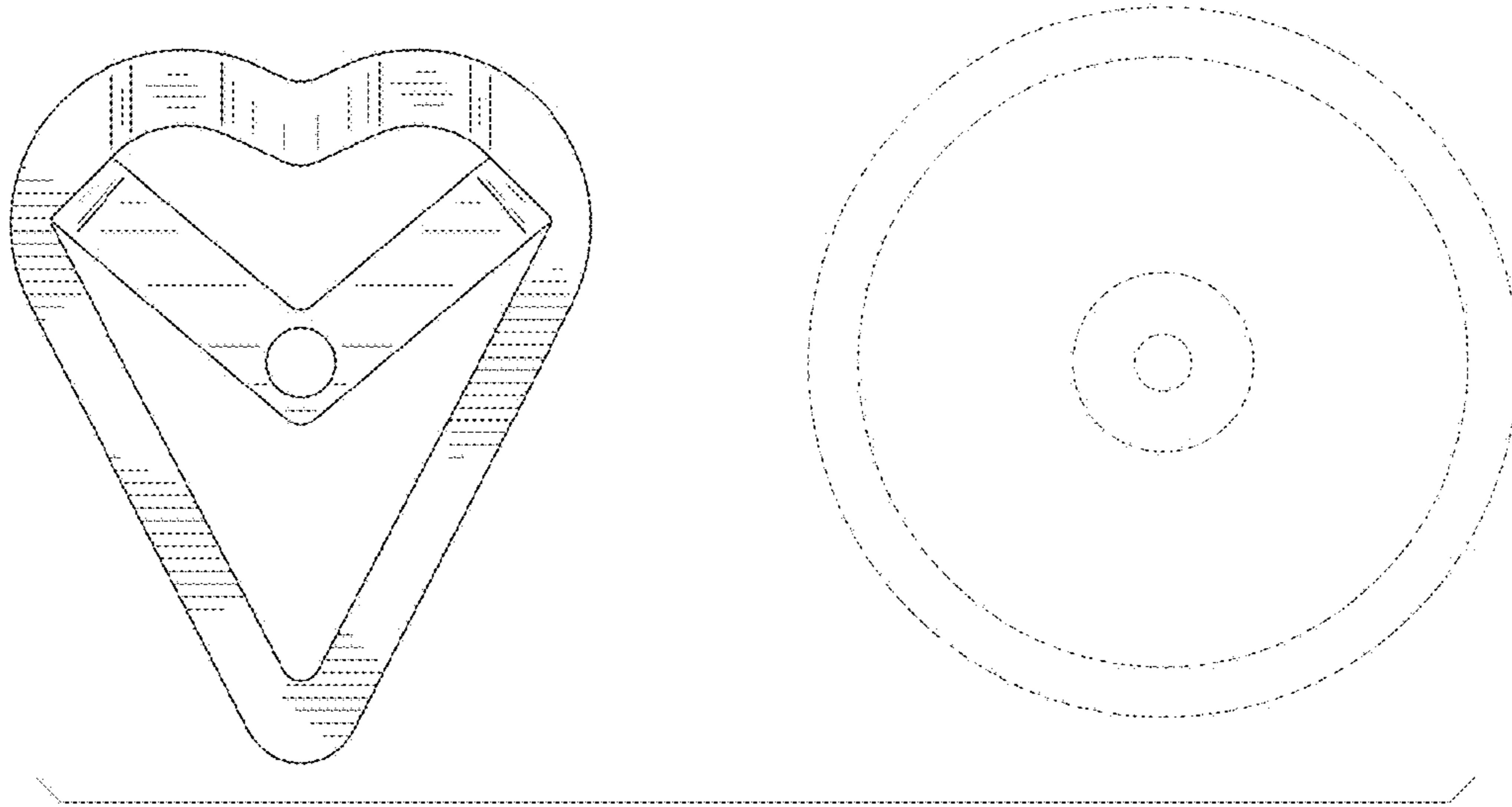


FIG. 8

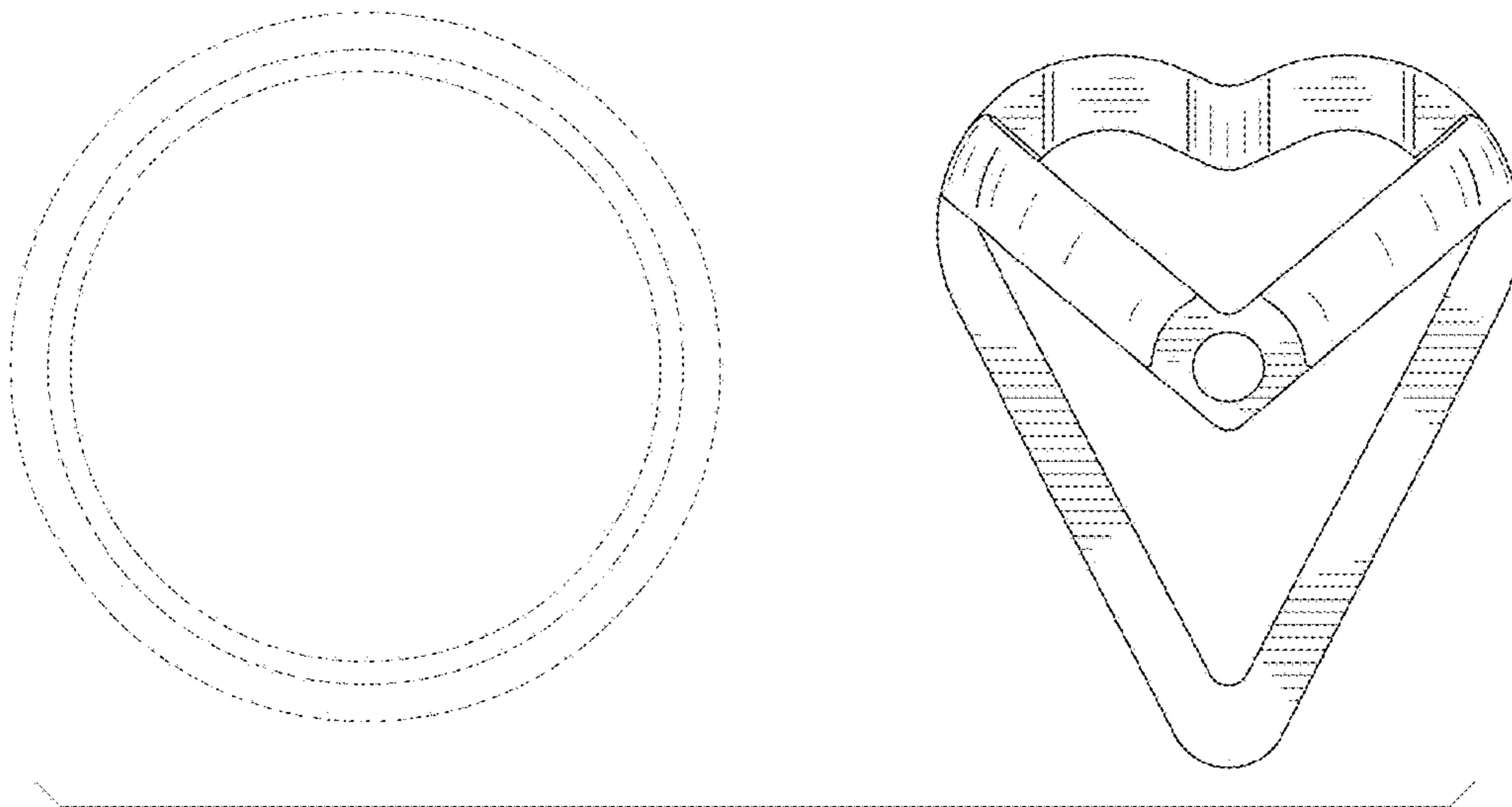


FIG. 9

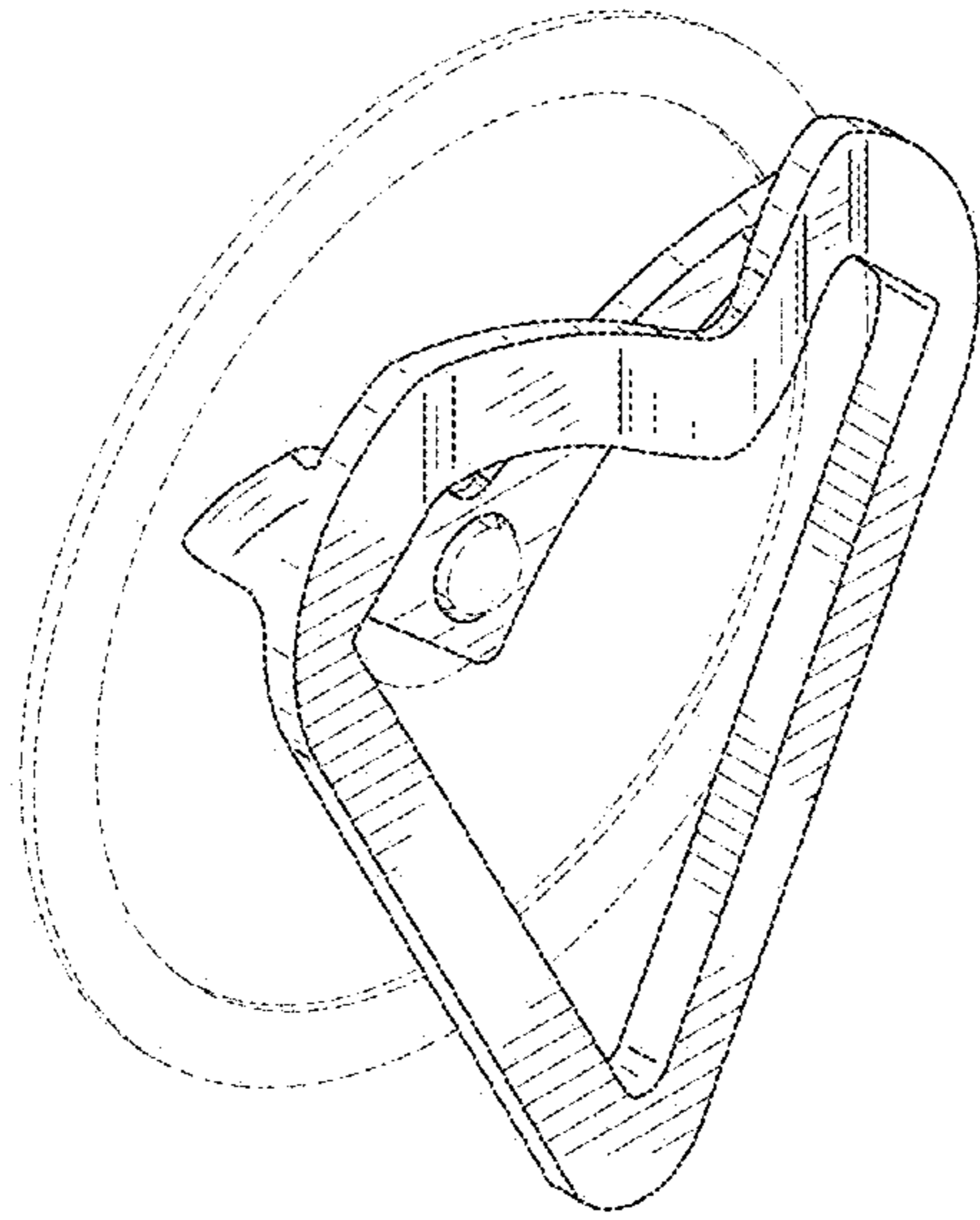


FIG. 10

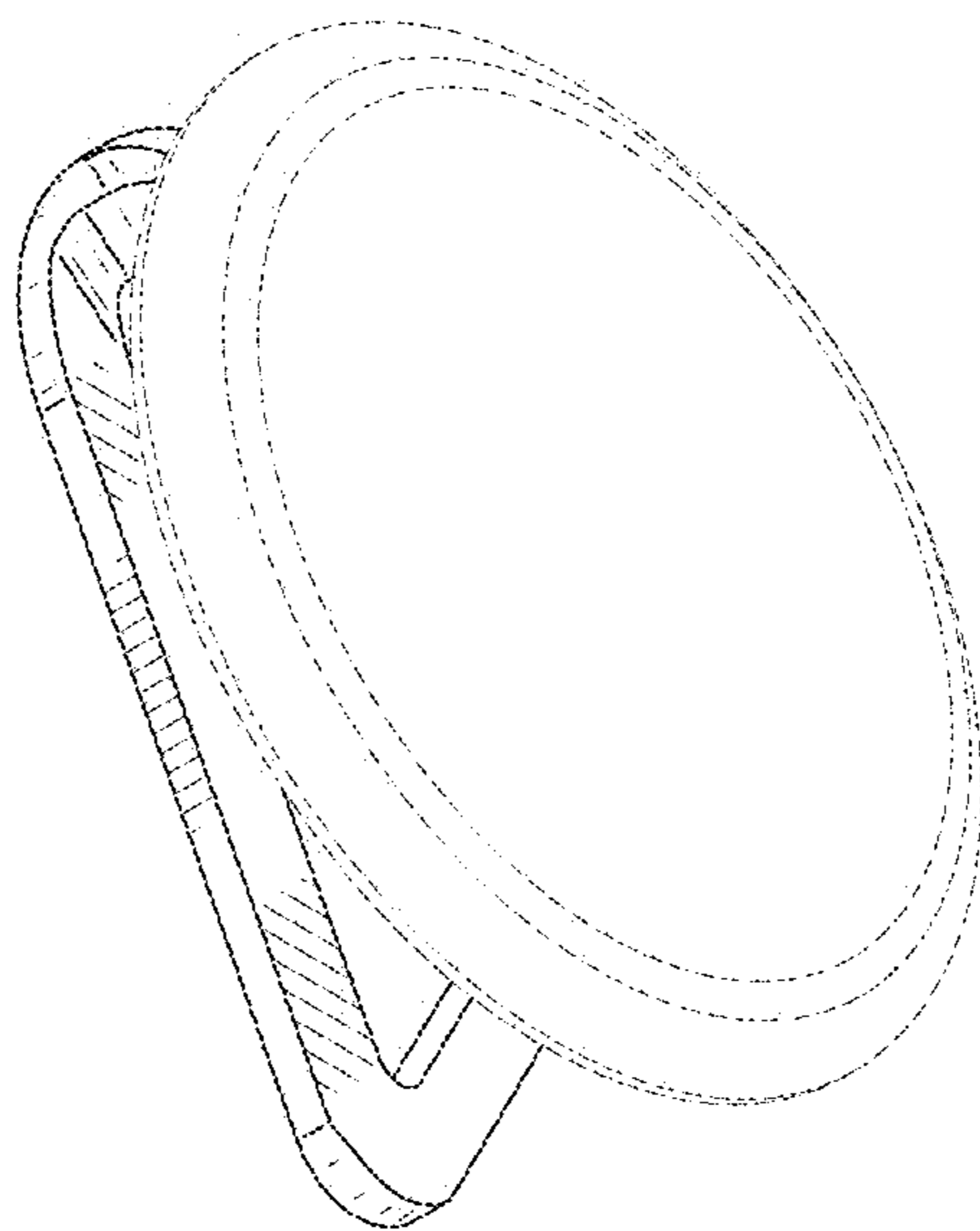


FIG. 11

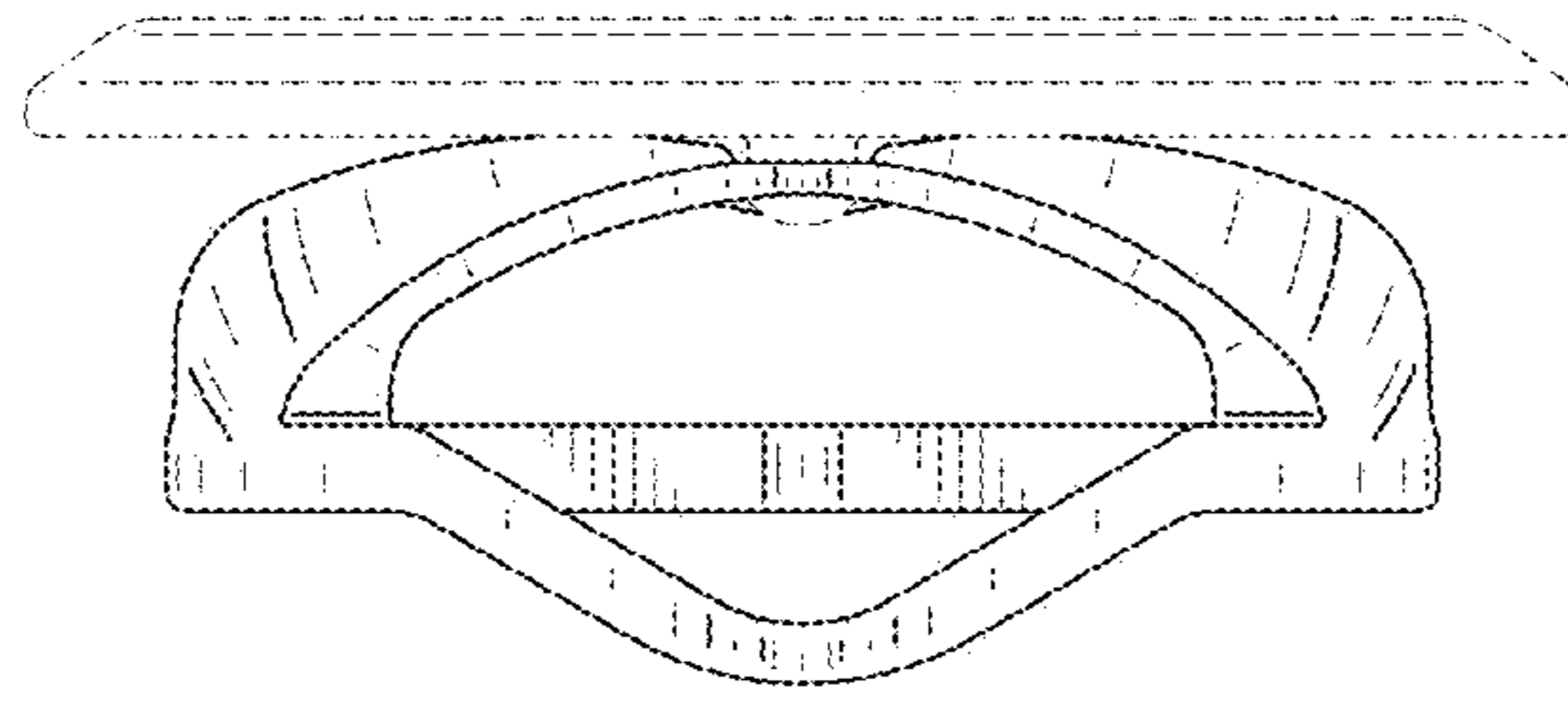


FIG. 12

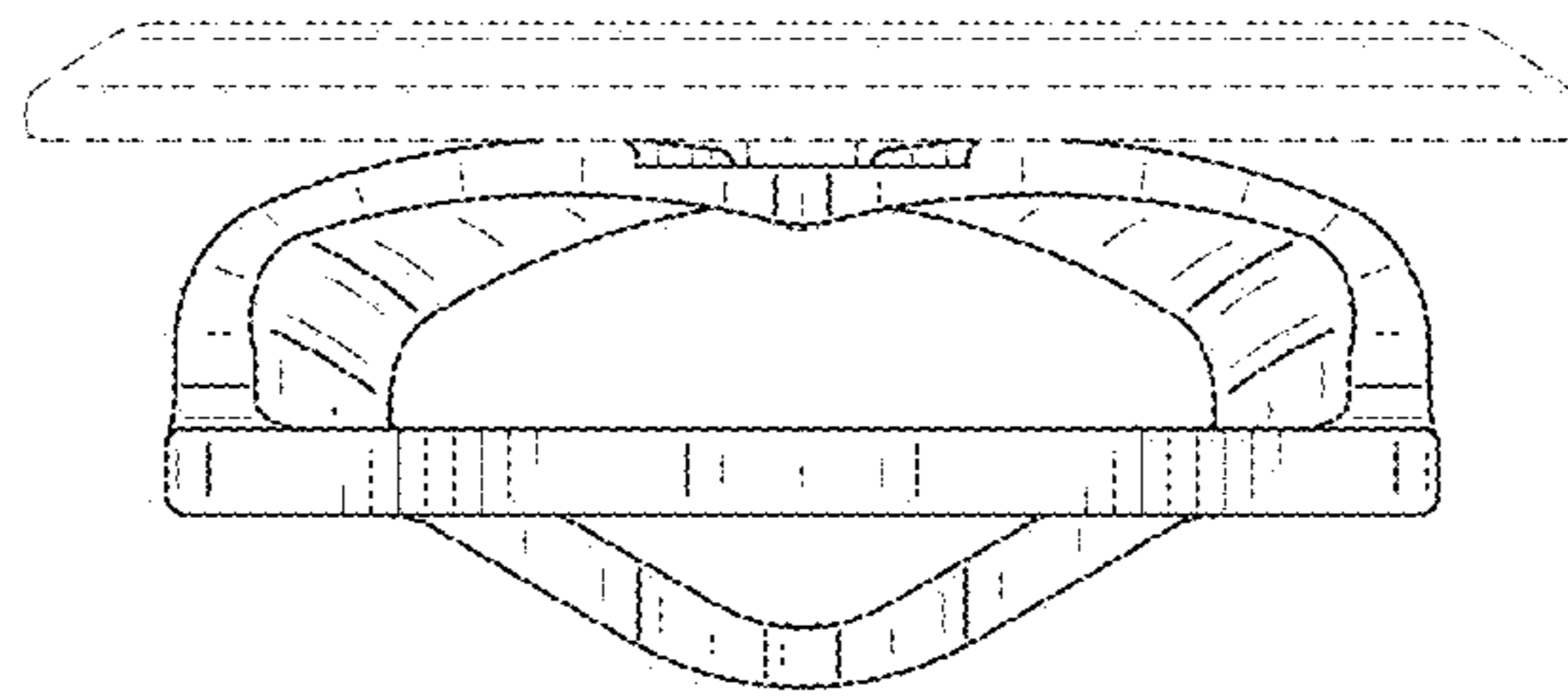


FIG. 13

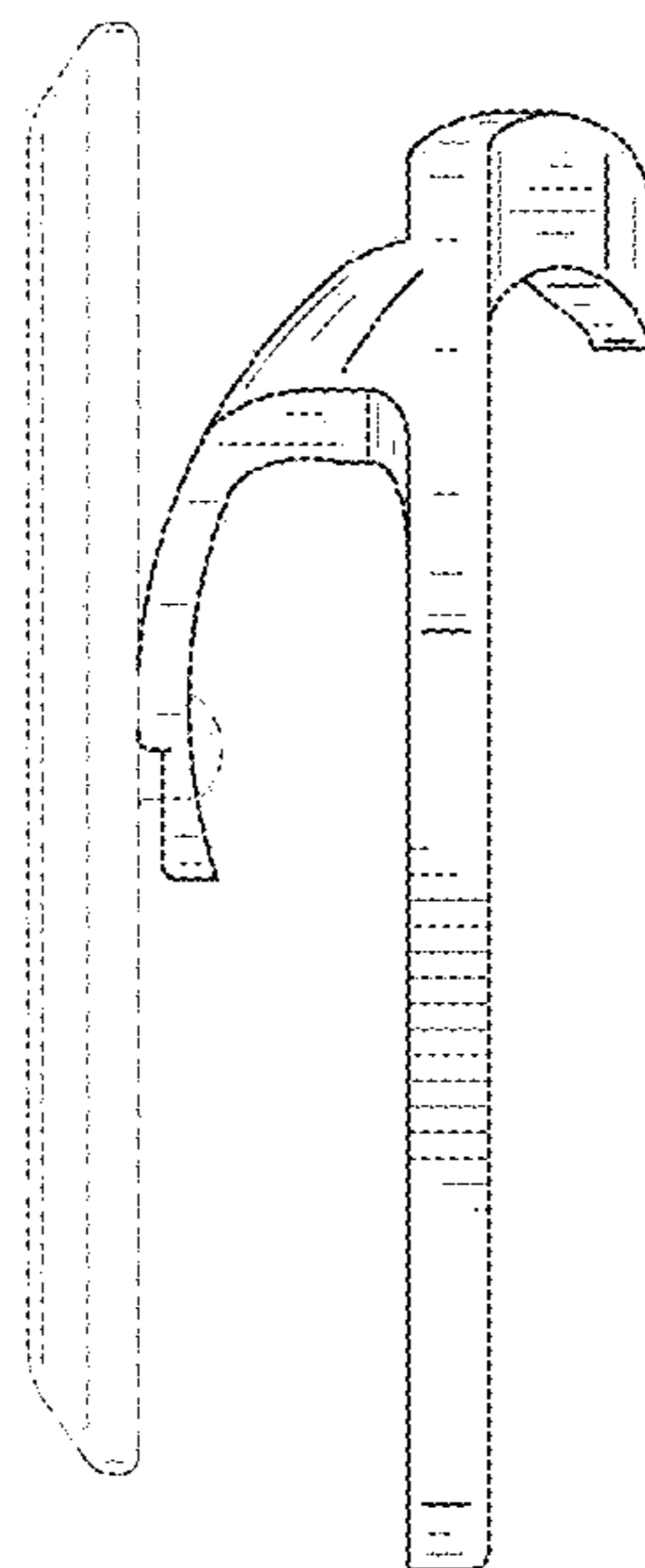


FIG. 14

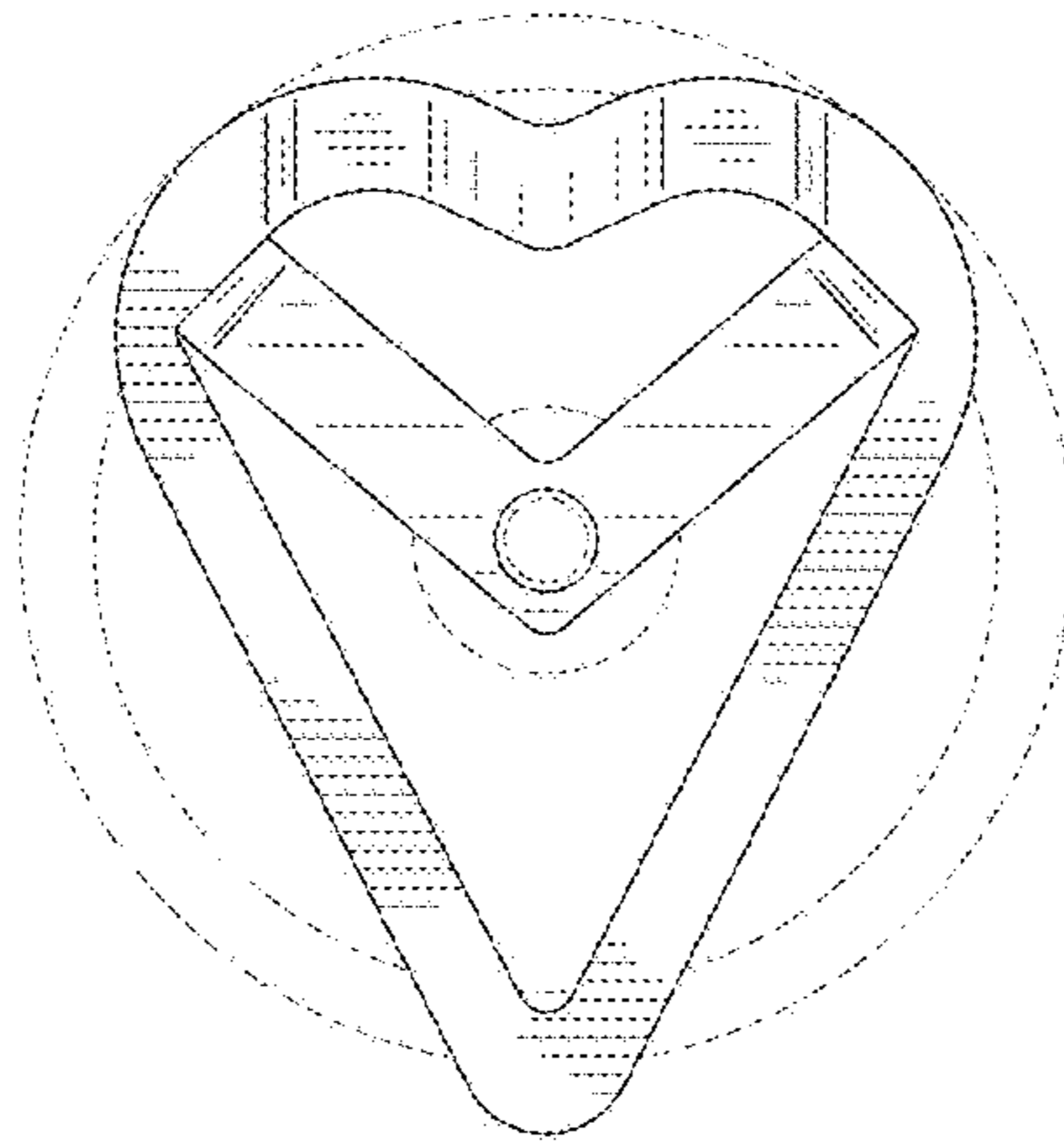


FIG. 15

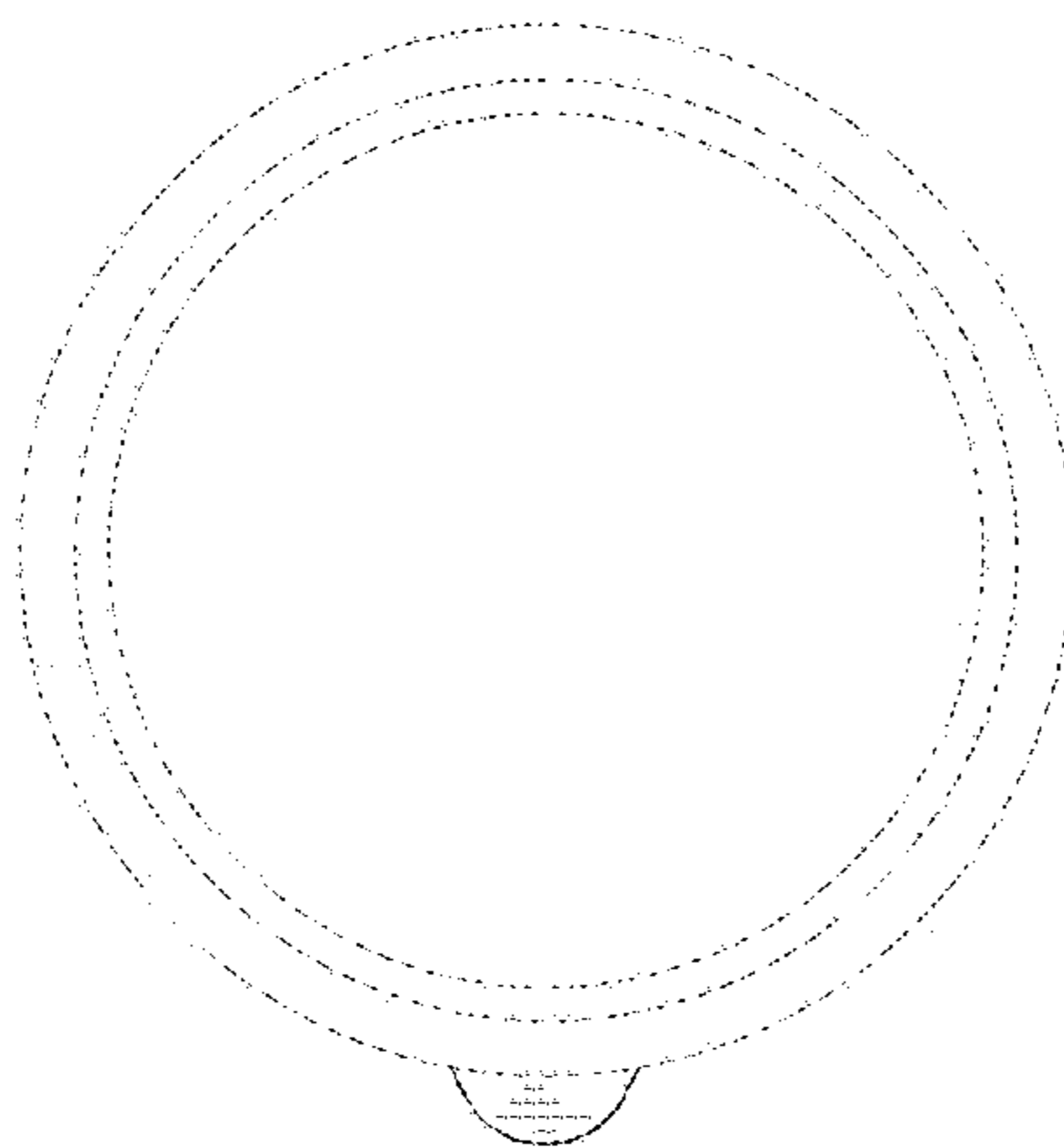


FIG. 16