



US00D788629S

(12) **United States Design Patent**
Marchand

(10) **Patent No.:** **US D788,629 S**
(45) **Date of Patent:** **** Jun. 6, 2017**

- (54) **BRACELET**
- (71) Applicant: **Cartier International AG**, Steinhausen (CH)
- (72) Inventor: **Veronique Marchand**, Asnieres sur Seine (FR)
- (73) Assignee: **Cartier International AG**, Steinhausen (CH)

- D237,815 S * 11/1975 Bulgari D10/32
- D237,816 S * 11/1975 Bulgari D11/27
- 4,078,330 A * 3/1978 Roth A63F 7/3622
446/26
- D388,730 S * 1/1998 Greenberger D11/34
- D393,226 S * 4/1998 Shenhav D11/27
- D435,228 S * 12/2000 Hegarty D11/27
- D497,567 S * 10/2004 Hardy 63/7
- D505,633 S * 5/2005 Hardy D11/26
- D606,894 S * 12/2009 Bulgari D11/5

(Continued)

(**) Term: **15 Years**

OTHER PUBLICATIONS

(21) Appl. No.: **29/543,149**

The Get | Cartier Juste Un Clou Bracelet, NYTimes.com, published on Apr. 12, 2012, online. Visited Sep. 16, 2016. Internet URL:<“http://tmagazine.blogs.nytimes.com/2012/04/12/the-get-cartier-juste-un-clou-bracelet/?_r=0”>.*

(22) Filed: **Oct. 21, 2015**

(Continued)

(30) **Foreign Application Priority Data**

Apr. 21, 2015 (WO) DM/086265

(51) **LOC (10) Cl.** **11-01**

(52) **U.S. Cl.**
USPC **D11/5**

(58) **Field of Classification Search**
USPC D11/1-48, 75-79, 86, 91
CPC . A44C 15/005; A44C 15/0015; A44C 15/001;
A44C 15/0035; A44C 25/001; A44C
25/00; A44C 25/005; A44C 5/00; A44C
5/0015; A44C 5/0007; A44C 5/0084;
A44C 5/12; A44C 5/14; A44C 5/2066;
A44C 5/2076; A44C 13/00; A44C
11/002; A44C 9/00; A44C 9/003; A44C
9/0046; A44C 17/0233; A44C 17/04;
A44C 27/006; A44C 7/00; A44C 7/002;
A44C 23/00; A44D 2205/00

See application file for complete search history.

(56) **References Cited**

U.S. PATENT DOCUMENTS

- 260,540 A * 7/1882 Cottle A44C 5/0092
63/11
- D128,297 S * 7/1941 Healy D11/5

Primary Examiner — Cynthia Ramirez
Assistant Examiner — Llorellys Martinez-Rivera
(74) *Attorney, Agent, or Firm* — Taft Stettinius & Hollister LLP

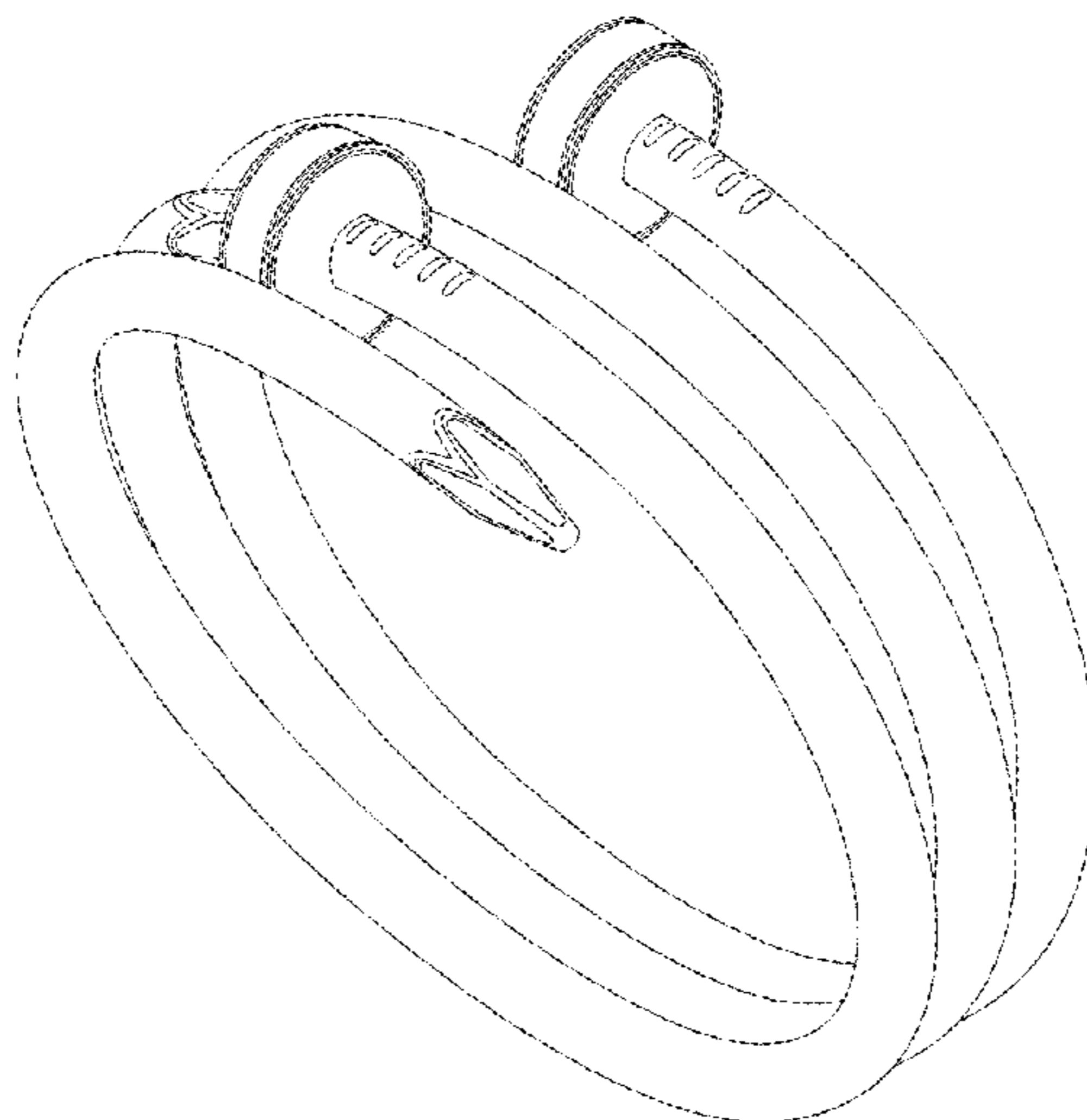
(57) **CLAIM**

The ornamental design for a bracelet, as shown and described.

DESCRIPTION

FIG. 1 is a front side view of a bracelet of the present invention.
FIG. 2 is a back side view of the bracelet of FIG. 1.
FIG. 3 is a right side view of the bracelet of FIG. 1.
FIG. 4 is a left side view of the bracelet of FIG. 1.
FIG. 5 is a bottom side view of the bracelet of FIG. 1.
FIG. 6 is a top side view of the bracelet of FIG. 1.
FIG. 7 is a top, right side perspective view of the bracelet of FIG. 1; and,
FIG. 8 is a bottom, left side perspective view of the bracelet of FIG. 1.

1 Claim, 4 Drawing Sheets



(56)

References Cited

U.S. PATENT DOCUMENTS

D722,519 S * 2/2015 Marchand D11/44
D722,520 S * 2/2015 Marchand D11/44

OTHER PUBLICATIONS

Cartier new Juste un Clou jewel collection, The Jewellery Editor, published on Jun. 26, 2012, online. Visited on Sep. 16, 2016. Internet URL:<"http://www.thejewelleryeditor.com/jewellery/cartier-makes-a-bold-declaration-with-their-new-juste-un-clou-collection/">.*

* cited by examiner

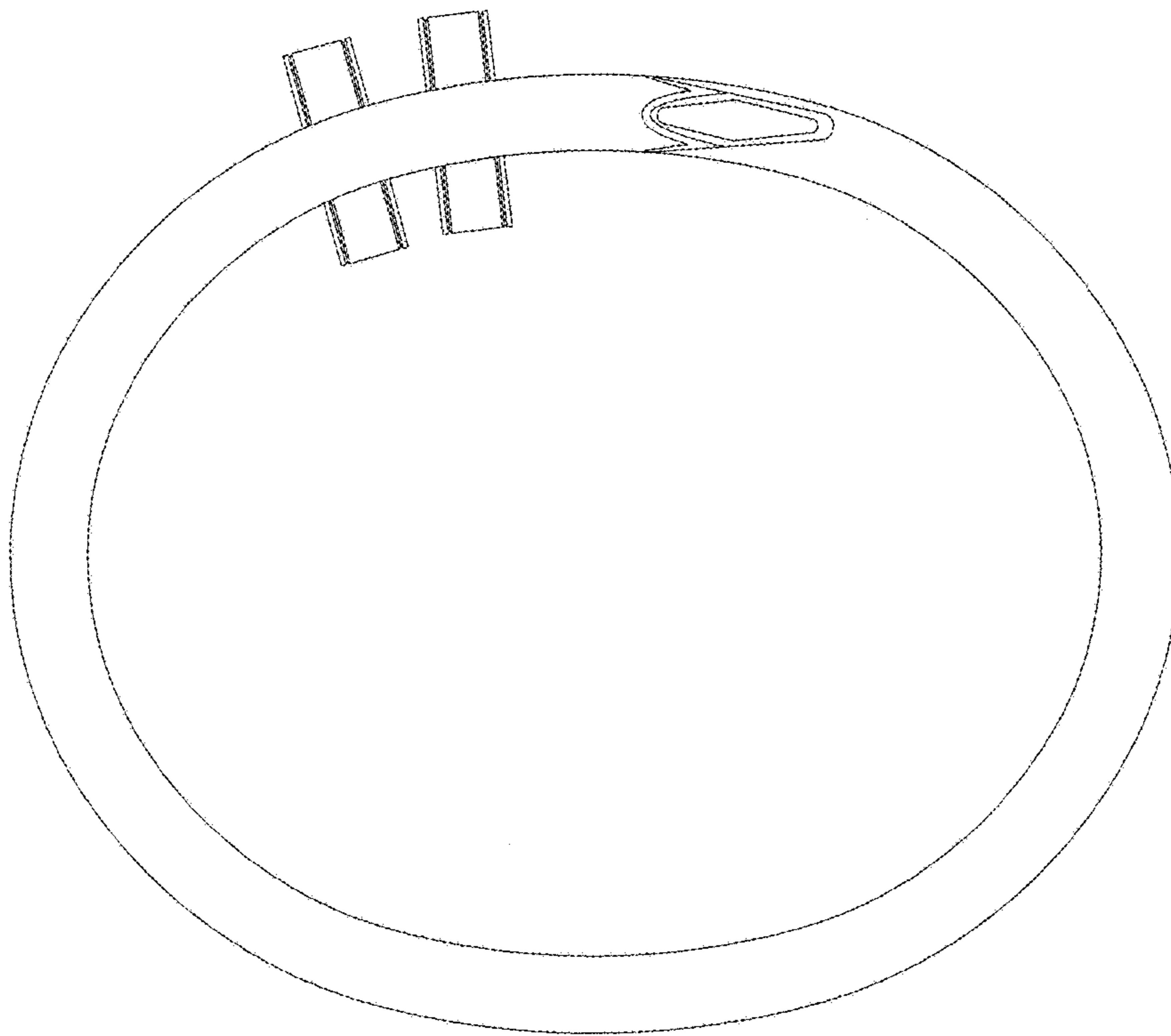


FIG. 1

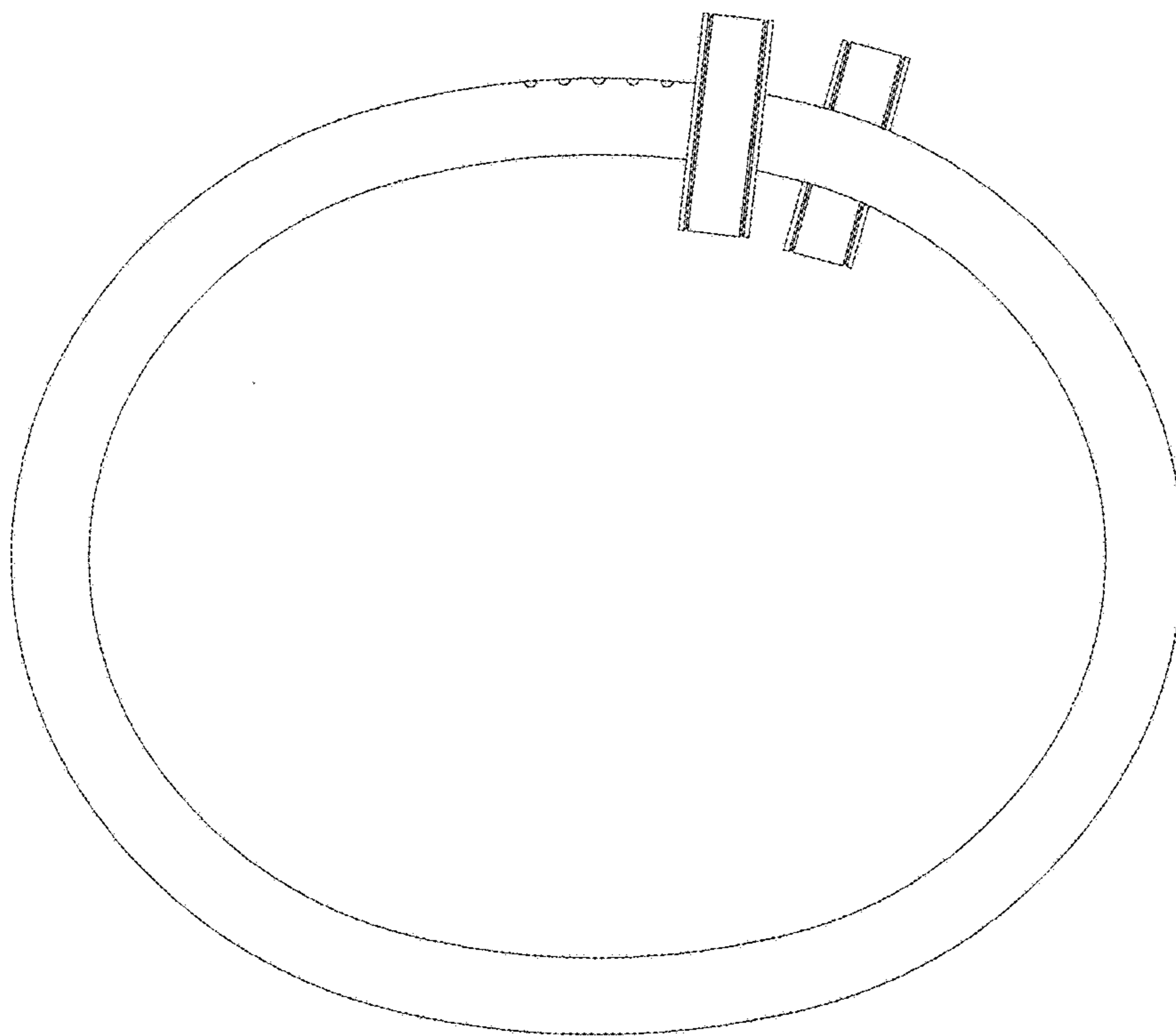


FIG. 2

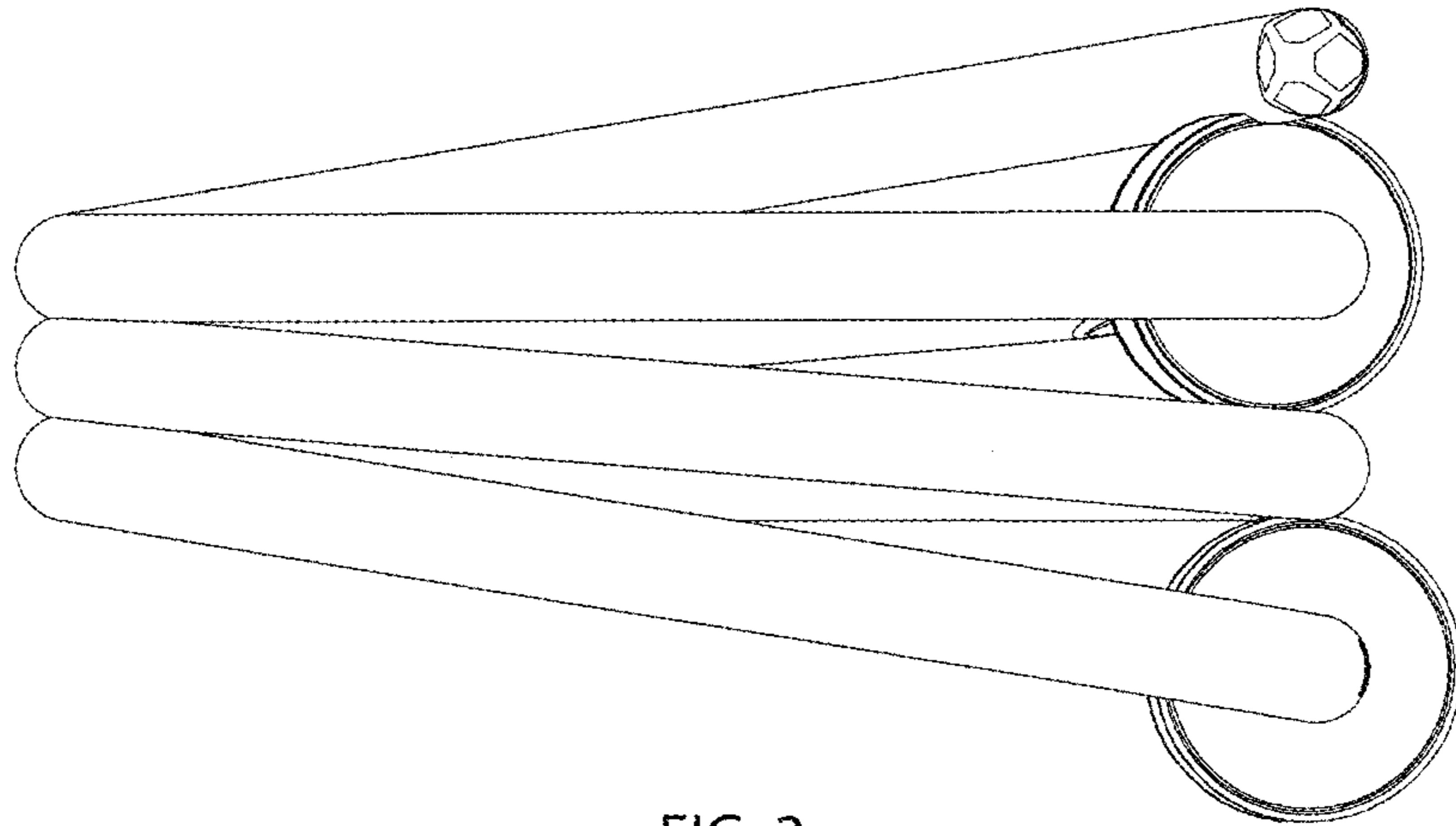


FIG. 3

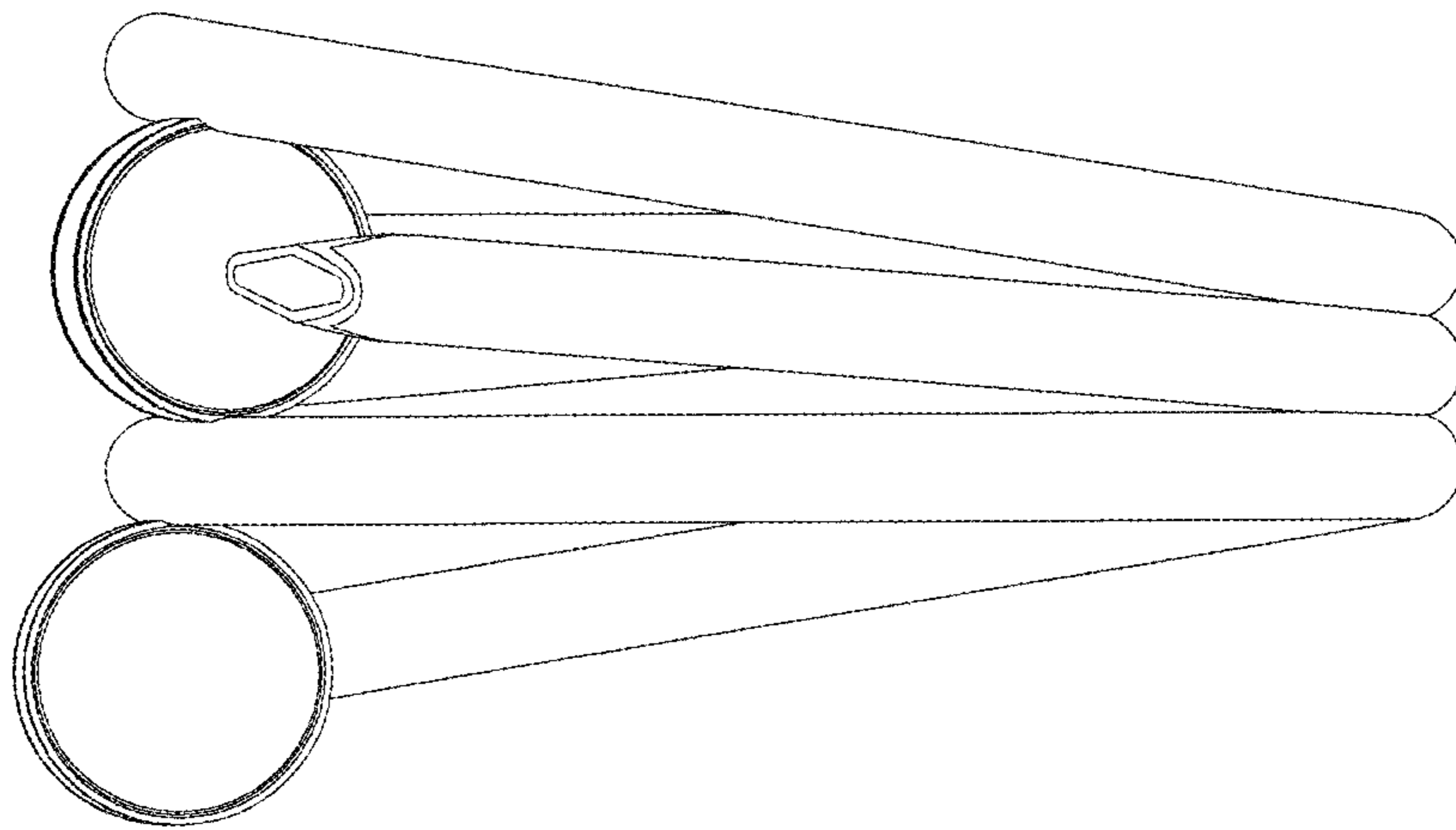


FIG. 4

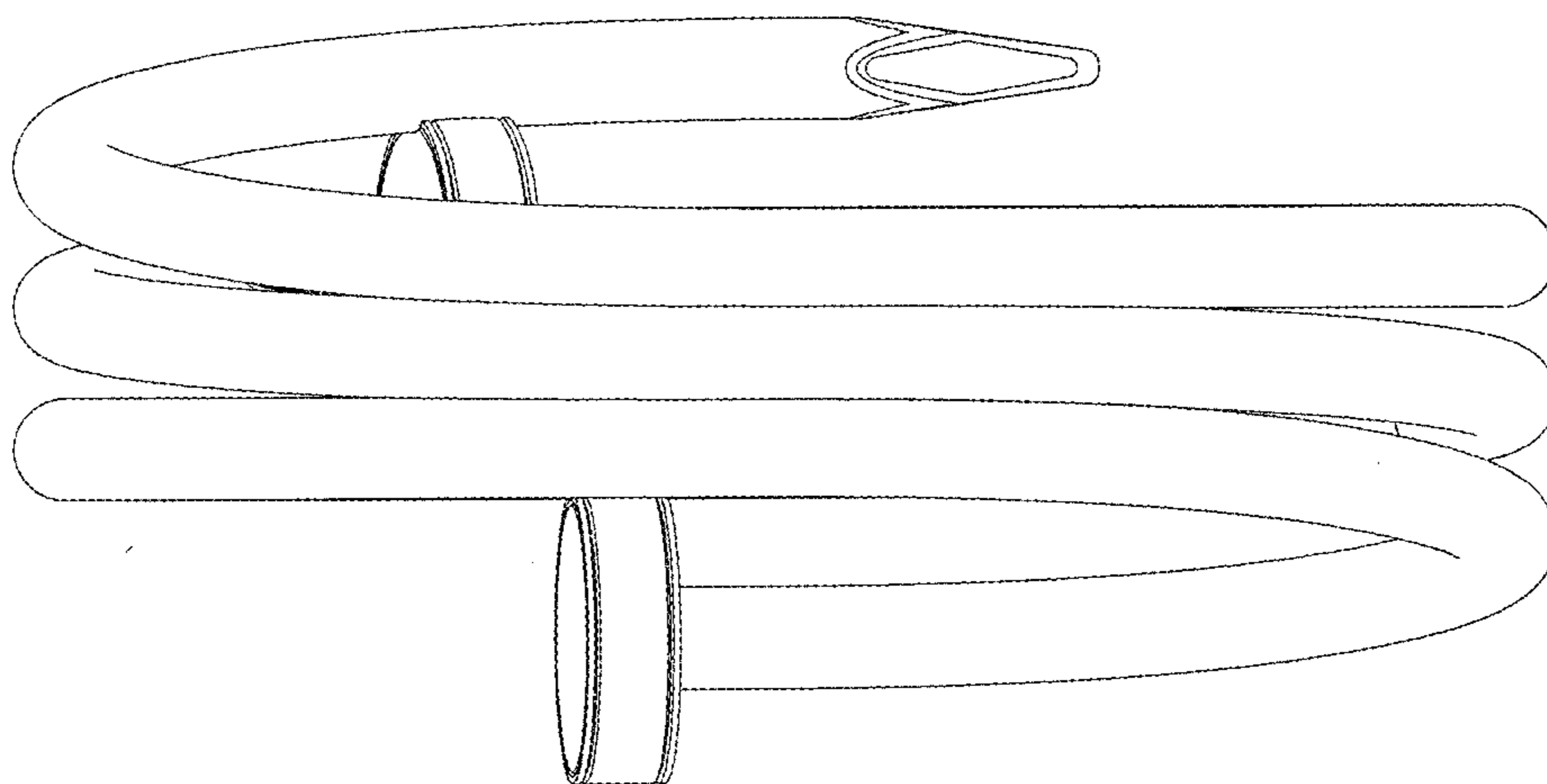


FIG. 5

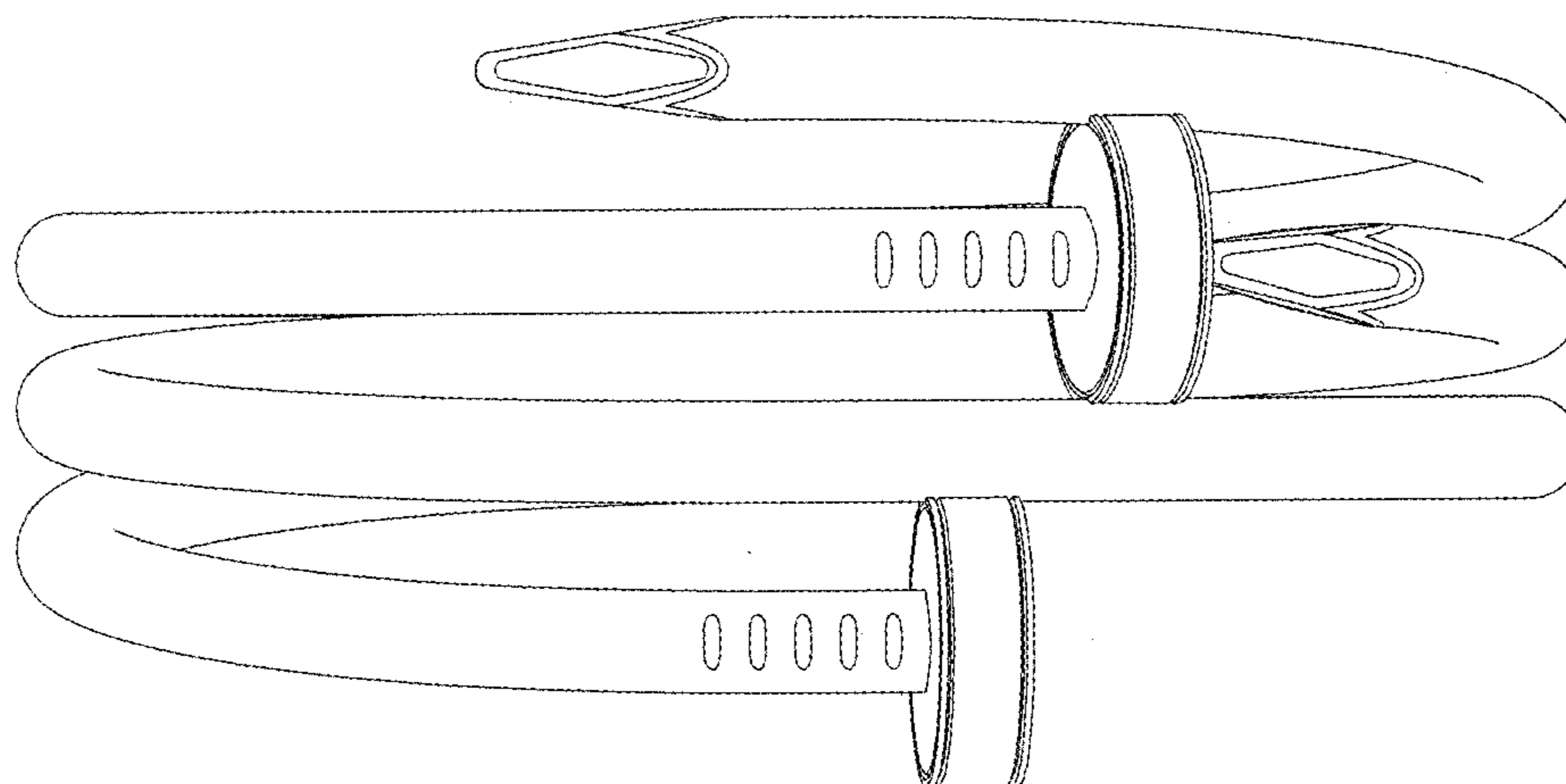


FIG. 6

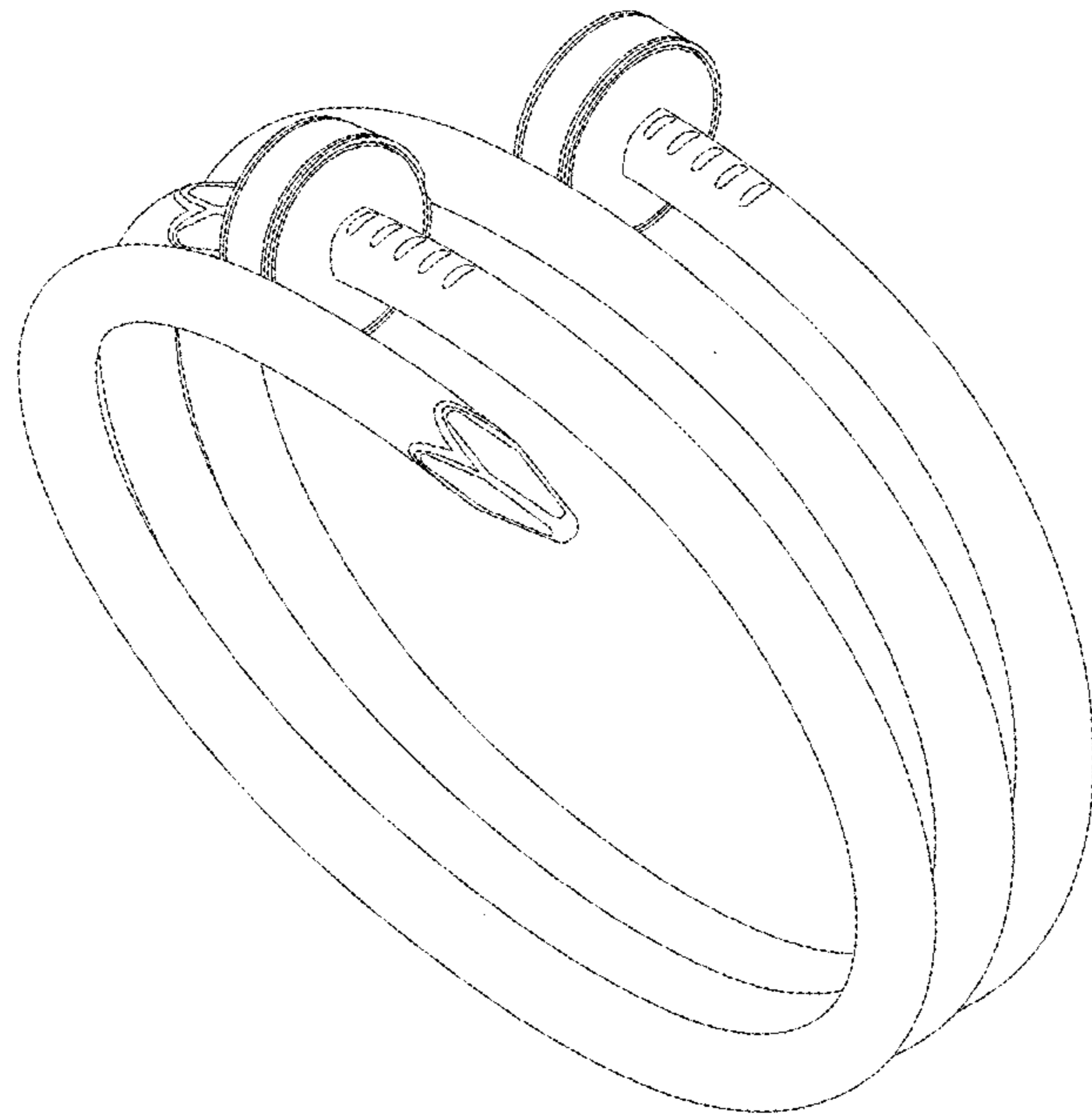


FIG. 7

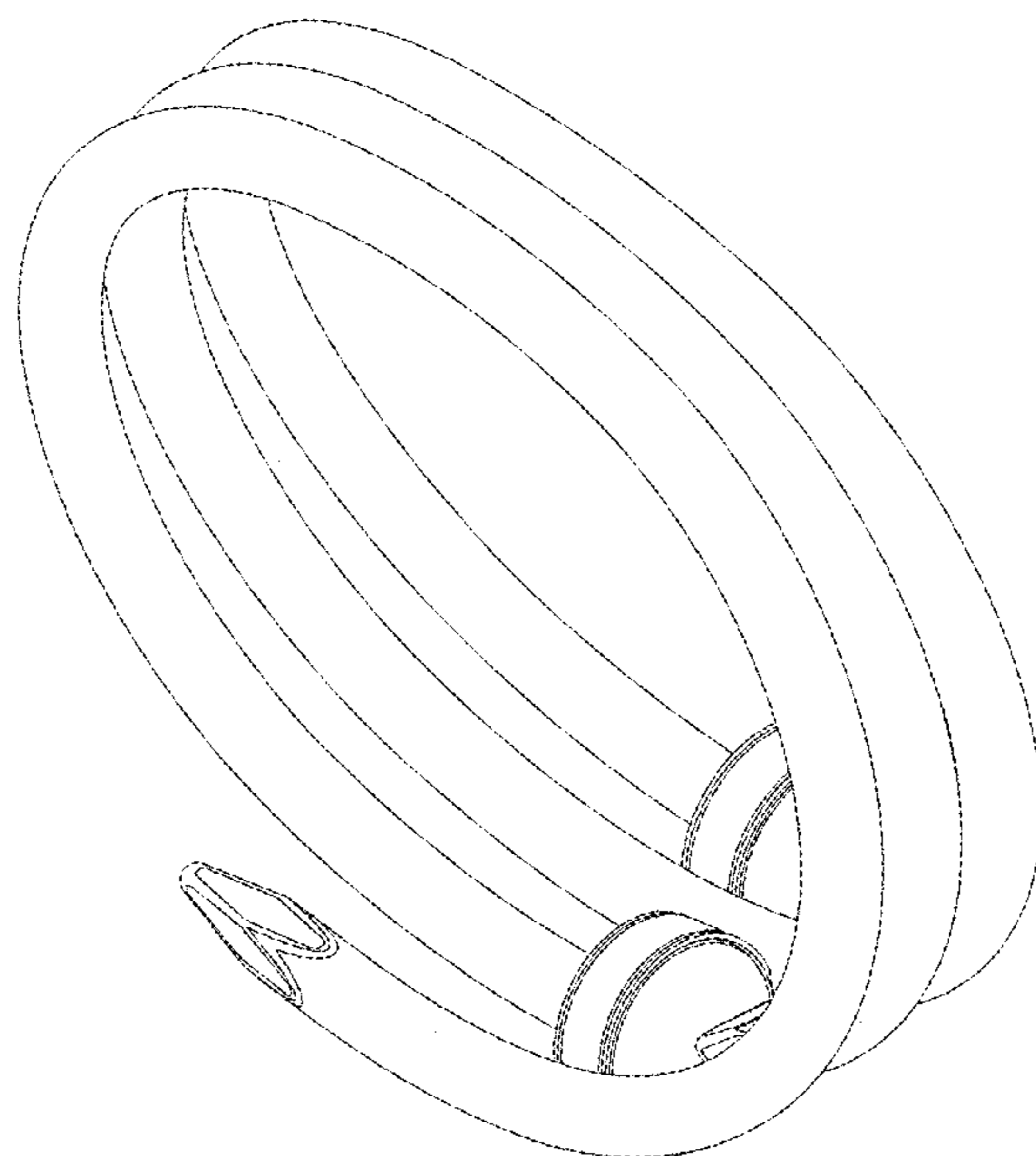


FIG. 8