



US00D788627S

(12) **United States Design Patent**
Park et al.

(10) **Patent No.:** **US D788,627 S**
(45) **Date of Patent:** **** Jun. 6, 2017**

(54) **WEARABLE DEVICE**

(71) Applicant: **LG ELECTRONICS INC.**, Seoul (KR)

(72) Inventors: **Soonhyun Park**, Seoul (KR);
Cheolwoong Shin, Seoul (KR);
Hongsik Kim, Seoul (KR); **Jinki Min**,
Seoul (KR); **Seunghwan Song**, Seoul
(KR); **Byunghyun Yi**, Seoul (KR);
Jiyoun Cha, Seoul (KR)

(73) Assignee: **LG ELECTRONICS INC.**, Seoul (KR)

(**) Term: **15 Years**

(21) Appl. No.: **29/529,912**

(22) Filed: **Jun. 11, 2015**

(30) **Foreign Application Priority Data**

Dec. 12, 2014 (KR) 30-2014-0060833

(51) **LOC (10) Cl.** **11-01**

(52) **U.S. Cl.**
USPC **D11/5; D14/344**

(58) **Field of Classification Search**
USPC D11/1-39; D10/31, 32, 38, 39, 65, 70,
D10/78, 97, 98; D14/344; D24/167, 186
CPC . A63B 24/00; A63B 24/0075; A63B 2220/14;
A63B 71/06; A63B 2071/0663; Y10S
482/909; Y10S 482/901; A41D 1/002;
A44C 5/00; A44C 5/0015; A44C 5/0007;
A44C 5/0084; A44C 5/12; A44C 5/14;
A44C 5/2066; A44C 5/2076; A44C
11/002; A44C 9/00; A44C 9/003; A44C
9/0046

See application file for complete search history.

(56) **References Cited**

U.S. PATENT DOCUMENTS

D564,367 S * 3/2008 Molyneux D10/31
D581,826 S * 12/2008 Molyneux D10/32

D623,550 S * 9/2010 Weber D11/3
D643,428 S * 8/2011 Janky D14/344
D664,880 S * 8/2012 Cobbett D11/3
D671,858 S * 12/2012 Cobbett D11/3
D677,190 S * 3/2013 Cobbett D11/3

(Continued)

OTHER PUBLICATIONS

LG Lifeband Touch, published on Jan. 6, 2014, online. Visited on Sep. 27, 2016. Internet URL: <"http://www.ubergizmo.com/2014/01/lg-lifeband-touch/">.*

(Continued)

Primary Examiner — Cynthia Ramirez

Assistant Examiner — Llorellys Martinez-Rivera

(74) *Attorney, Agent, or Firm* — Birch, Stewart, Kolasch & Birch, LLP

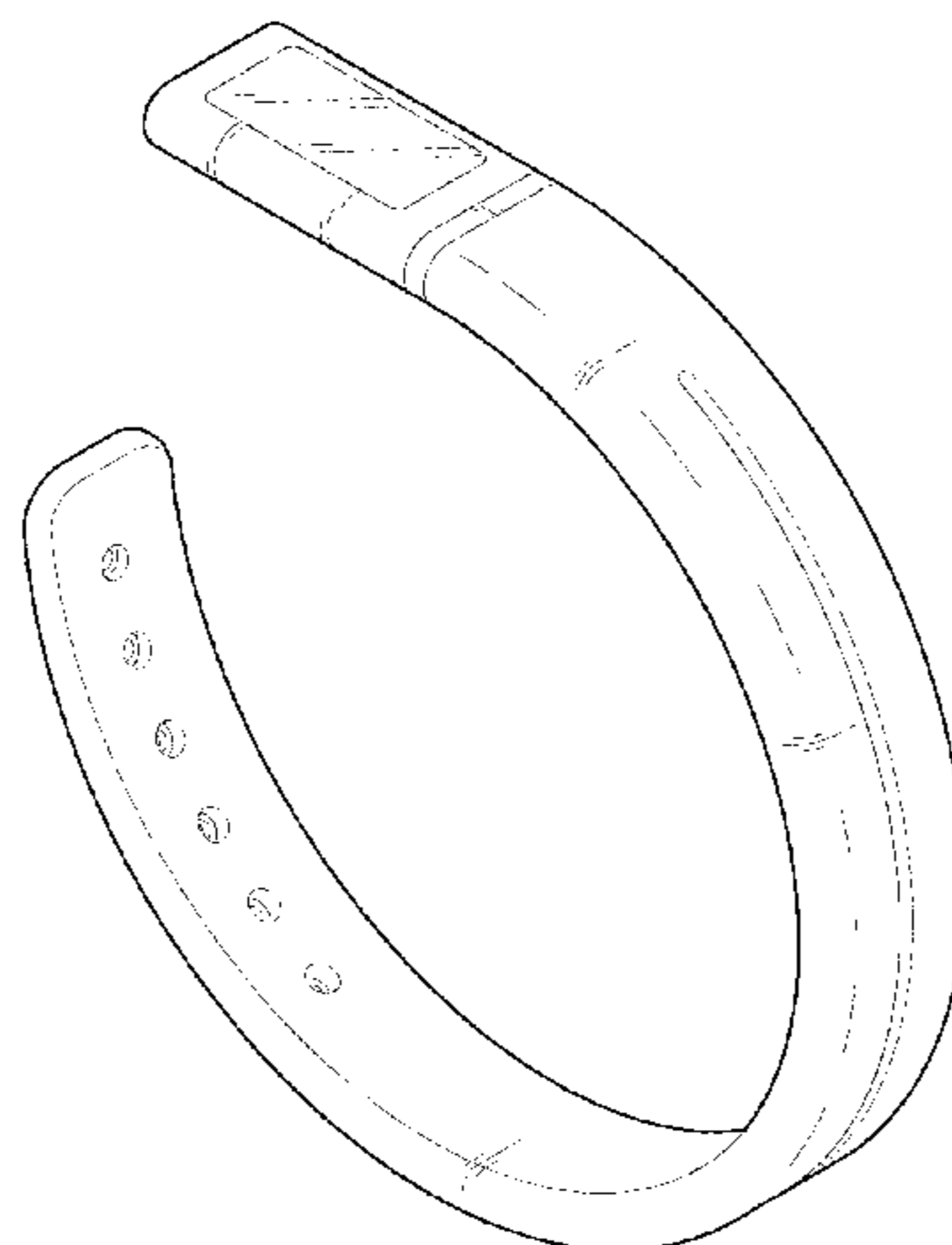
(57) **CLAIM**

The ornamental design for a wearable device, as shown and described.

DESCRIPTION

FIG. 1 is a perspective view of a wearable device showing our new design;
FIG. 2 is a front view thereof, the rear view being a mirror image thereof;
FIG. 3 is a left side view thereof;
FIG. 4 is a right side view thereof;
FIG. 5 is a top plan view thereof;
FIG. 6 is a bottom plan view thereof;
FIG. 7 is another front view thereof, showing the wearable device in a closed configuration; and,
FIG. 8 is another top plan view thereof, showing the wearable device in a configuration of use.
The broken lines in FIG. 8 show environmental structure only and form no part of the claimed design.

1 Claim, 7 Drawing Sheets



(56)

References Cited

U.S. PATENT DOCUMENTS

D684,082 S * 6/2013 Alvarez D11/3
 D693,251 S * 11/2013 Anderssen D10/65
 D711,002 S * 8/2014 Ohnemus D24/186
 D711,268 S * 8/2014 Kim D10/70
 D714,179 S * 9/2014 Park D11/3
 D717,956 S * 11/2014 Alexander D24/167
 D721,292 S * 1/2015 Choi D10/70
 D721,981 S * 2/2015 Choi D10/70
 D724,468 S * 3/2015 Tan D11/3
 D730,209 S * 5/2015 Wolos D10/70
 D730,763 S * 6/2015 Haapakoski D10/70
 D732,994 S * 6/2015 Wentz D11/5
 D733,604 S * 7/2015 Tan D11/3
 D737,699 S * 9/2015 Chang D10/39
 D738,769 S * 9/2015 Tan D11/3
 D739,944 S * 9/2015 Pernu D24/167
 D740,702 S * 10/2015 Behar D10/39
 D741,211 S * 10/2015 Kahn D11/3
 D742,875 S * 11/2015 Ji D10/32

D744,869 S * 12/2015 Dallmeyer D10/32
 D750,070 S * 2/2016 Magi D14/344
 D754,356 S * 4/2016 Lee D11/3
 D757,001 S * 5/2016 Kim D14/138 R
 2013/0123024 A1 * 5/2013 Harris F41B 15/02
 463/47.2
 2015/0313325 A1 * 11/2015 West A41H 43/00
 428/99

OTHER PUBLICATIONS

This bracelet could replace your passwords, your car keys, and even your fingerprints, published on Sep. 3, 2013, online. Visited Sep. 27, 2016. Internet URL:<“<http://www.theverge.com/2013/9/3/4688162/bionym-nymi-could-replace-all-your-passwords>”>.*

Polar Loop fitness and sleep tracker to release in October with iPhone app, published on Sep. 18, 2013, online. Visited on Sep. 27, 2016. Internet URL:<“<http://www.pocket-lint.com/news/123760-polar-loop-fitness-and-sleep-tracker-to-release-in-october-with-iphone-app/gallery?photo=3>”>.*

* cited by examiner

FIG. 1

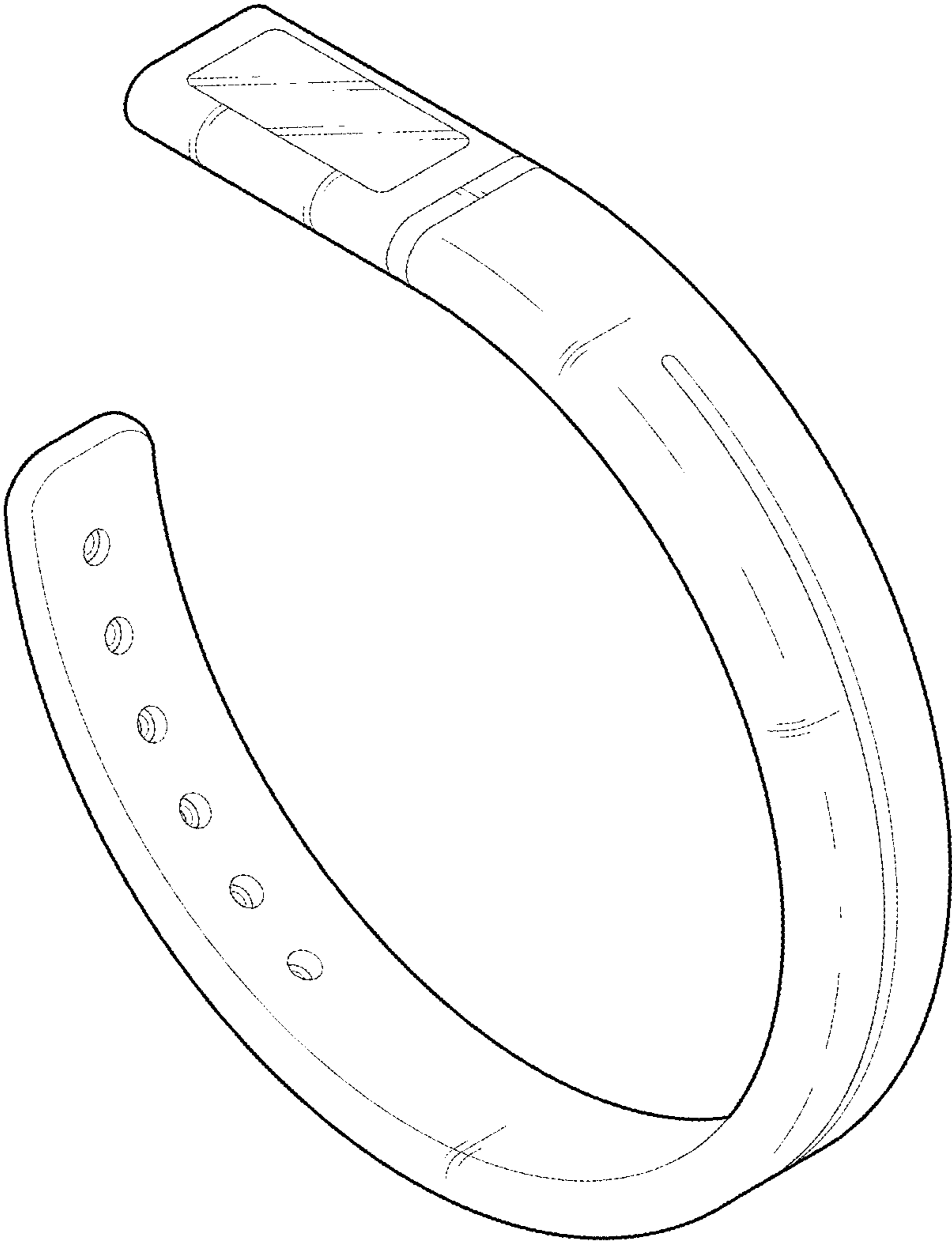


FIG. 2

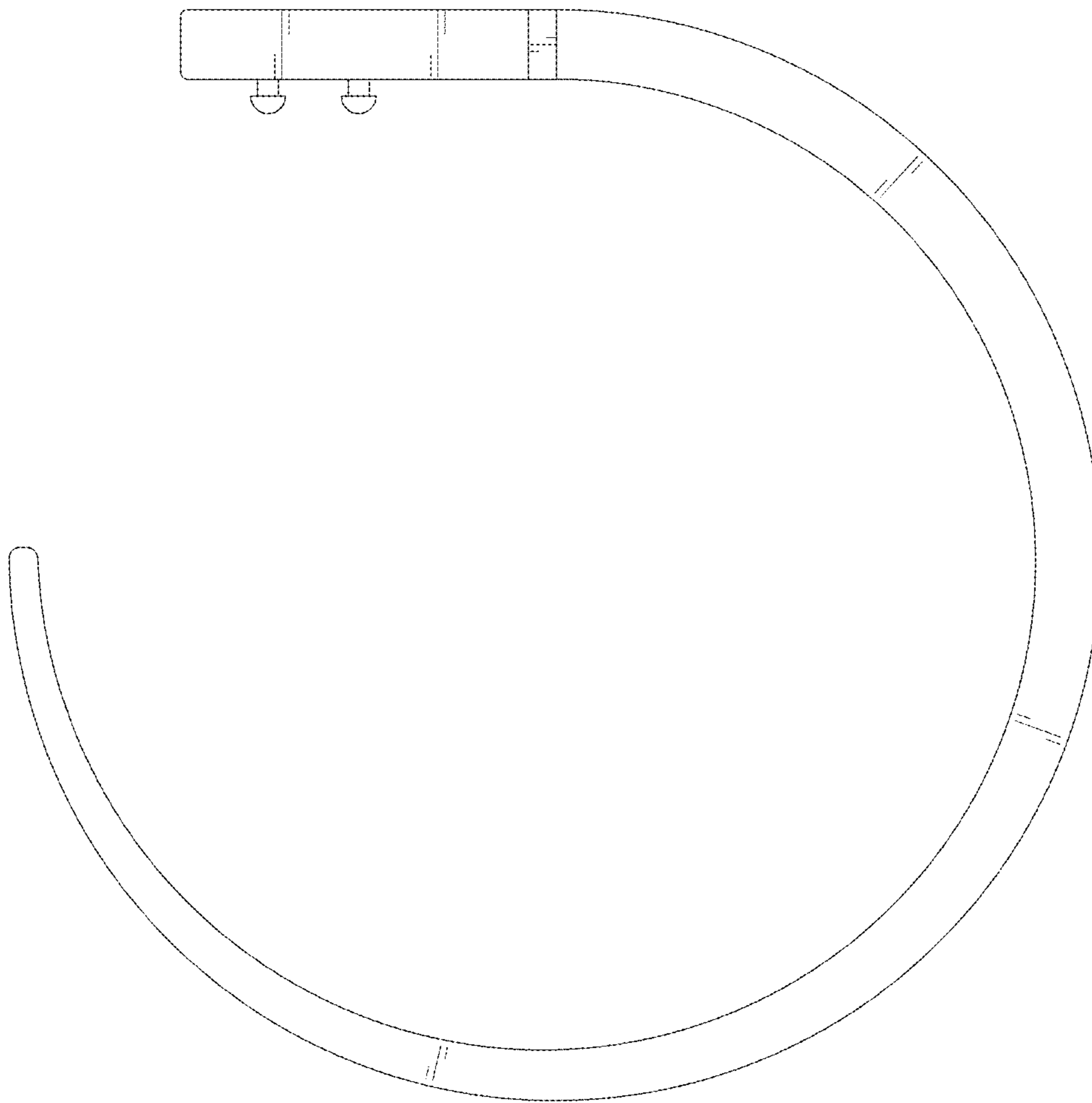


FIG. 3

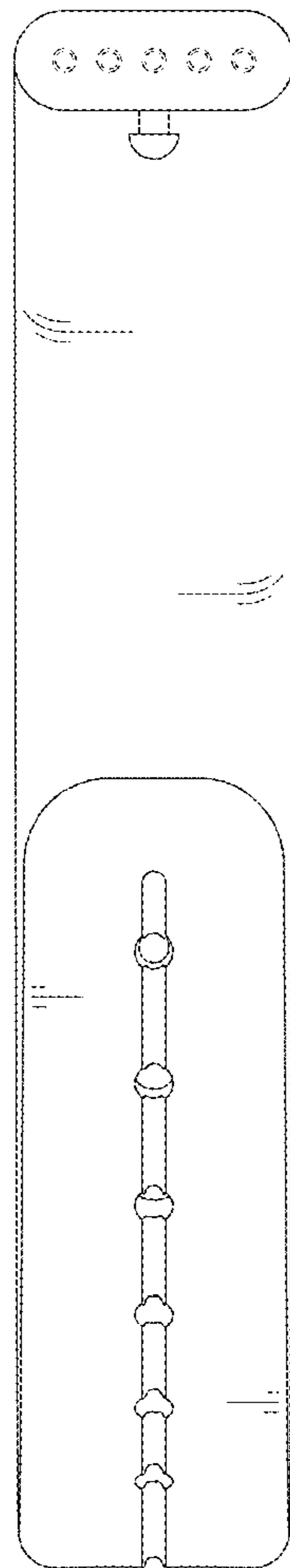


FIG. 4

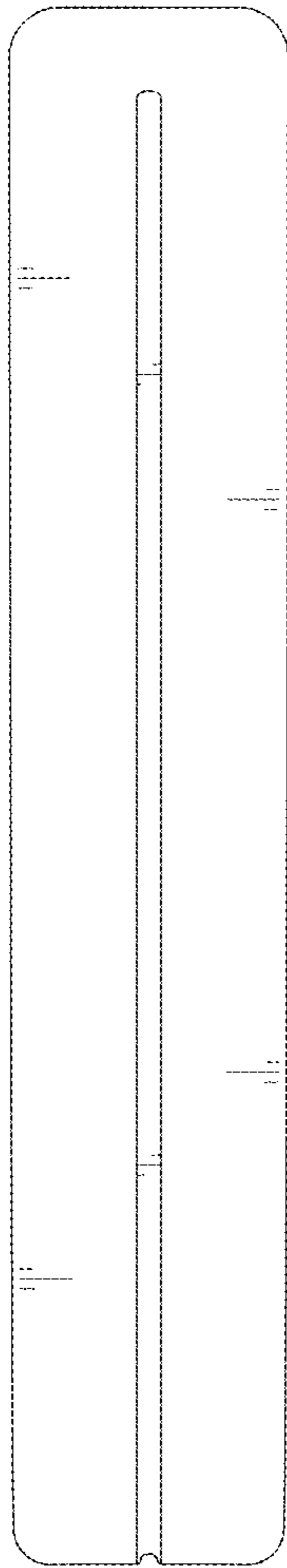


FIG. 5

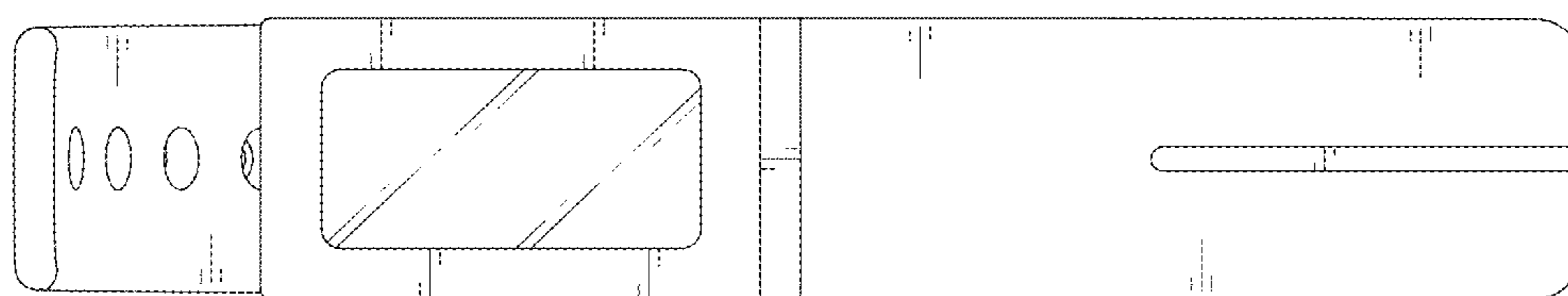


FIG. 6

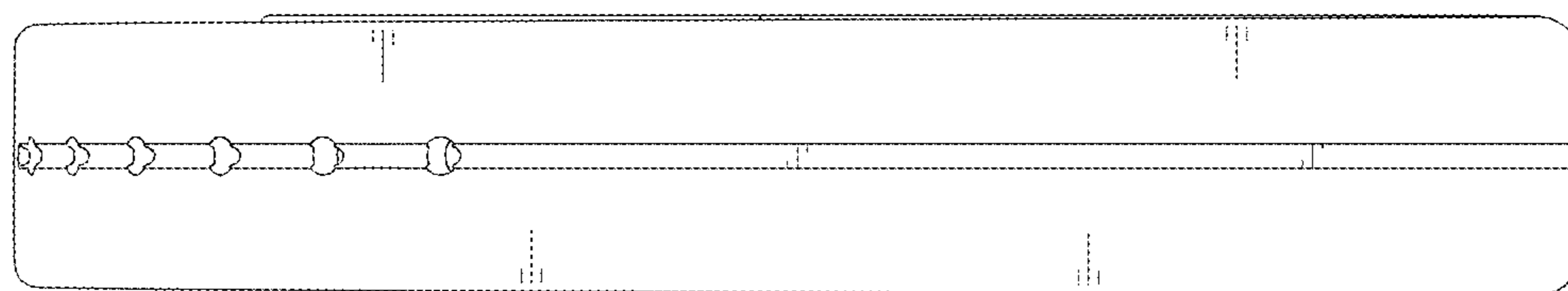


FIG. 7

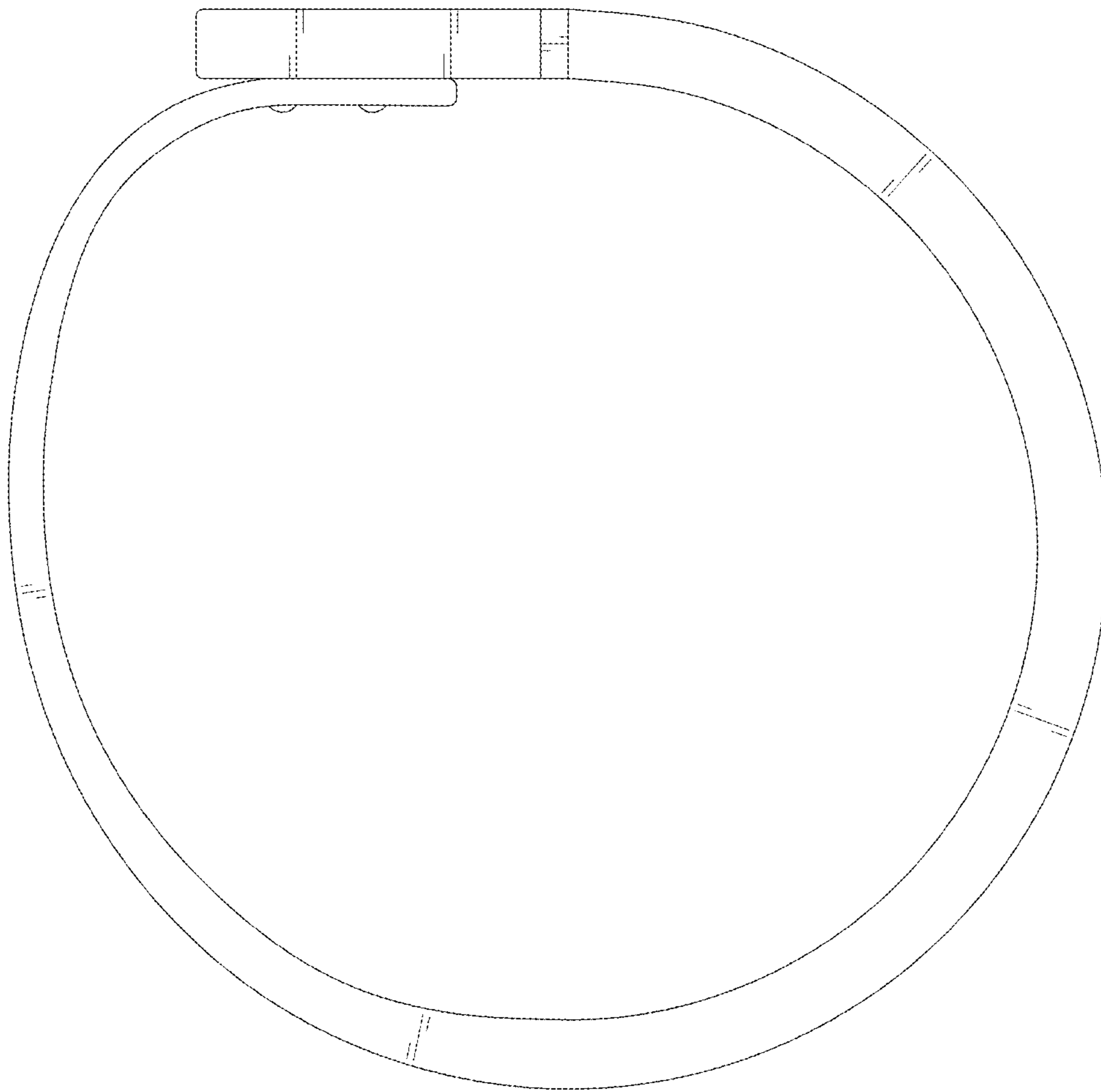


FIG. 8

