



US00D788626S

(12) **United States Design Patent**  
**Song et al.**

(10) **Patent No.:** **US D788,626 S**  
(45) **Date of Patent:** **\*\* Jun. 6, 2017**

(54) **SMARTWATCH**

(71) Applicant: **Intel Corporation**, Santa Clara, CA  
(US)

(72) Inventors: **Wil Choon Song**, Bayan Lepas (MY);  
**Su Sin Florence Phun**, Gelugor (MY);  
**Poh Tat Oh**, Bayan Lepas (MY);  
**Khang Choong Yong**, Puchong (MY)

(73) Assignee: **Intel Corporation**, Santa Clara, CA  
(US)

(\*\*) Term: **14 Years**

(21) Appl. No.: **29/513,120**

(22) Filed: **Dec. 26, 2014**

(51) **LOC (10) Cl.** ..... **11-01**

(52) **U.S. Cl.**  
USPC ..... **D11/4**

(58) **Field of Classification Search**

USPC ..... D11/1-26; D10/70, 98, 32, 38;  
D24/167; D14/344

CPC ..... A44C 5/00; A44C 5/0007; A44C 5/0015;  
A44C 5/0023; A44C 5/003; A44C  
5/0038; A44C 5/0053; A44C 5/0061;  
A44C 5/0069; A44C 5/0076; A44C  
5/0084; A44C 5/0092; A44C 5/20; A61B  
5/02405

See application file for complete search history.

(56) **References Cited**

**U.S. PATENT DOCUMENTS**

- 333,083 A \* 12/1885 Pine ..... A44C 5/0092  
63/11
- 2,035,671 A \* 3/1936 Sauer, Jr ..... A44C 5/0053  
2/338
- D158,918 S \* 6/1950 Winn ..... D10/32
- 4,700,874 A \* 10/1987 Mock ..... A45C 13/30  
224/164

(Continued)

*Primary Examiner* — Melanie Pellegrini

(74) *Attorney, Agent, or Firm* — International IP Law  
Group, P.L.L.C.

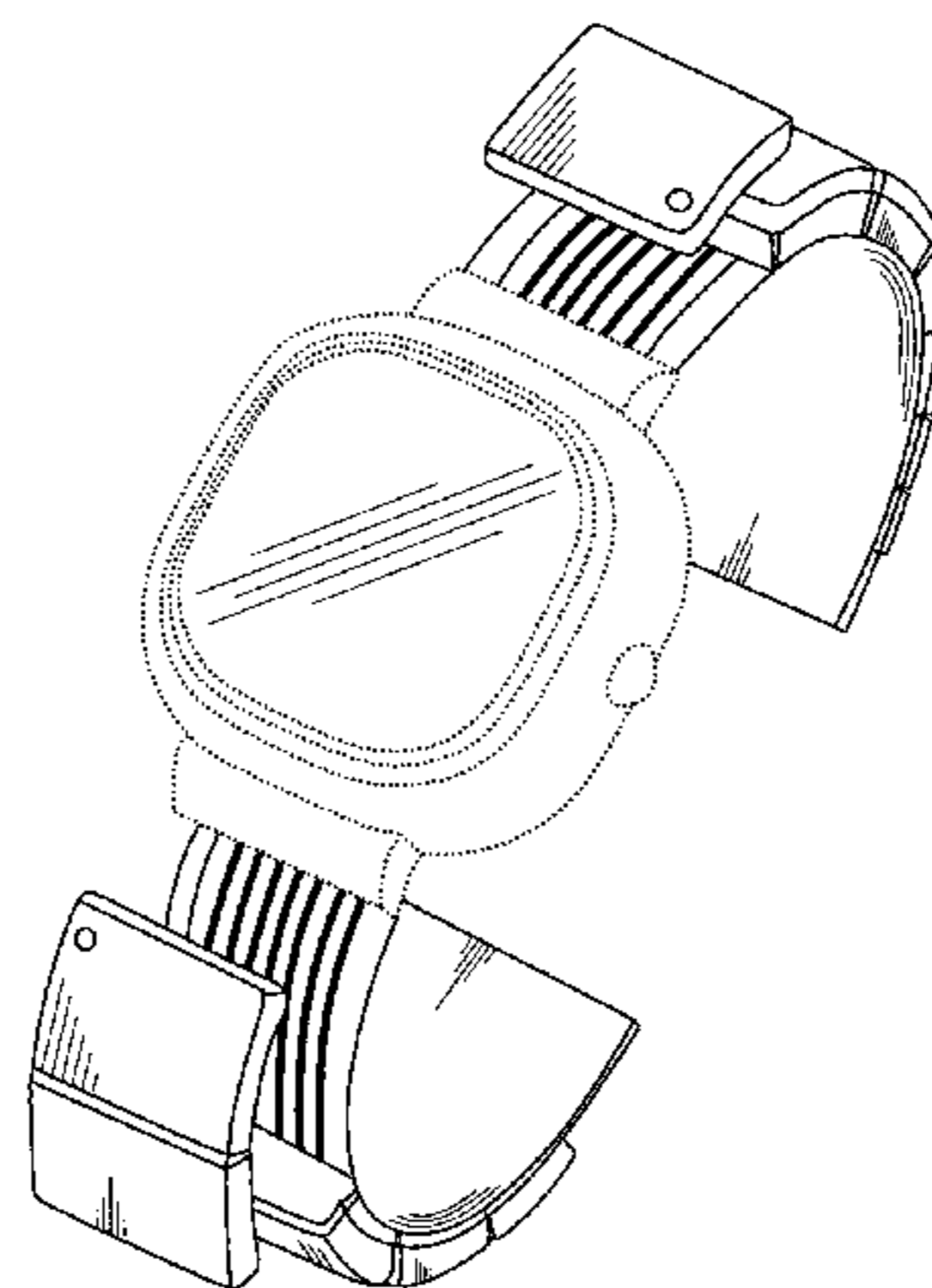
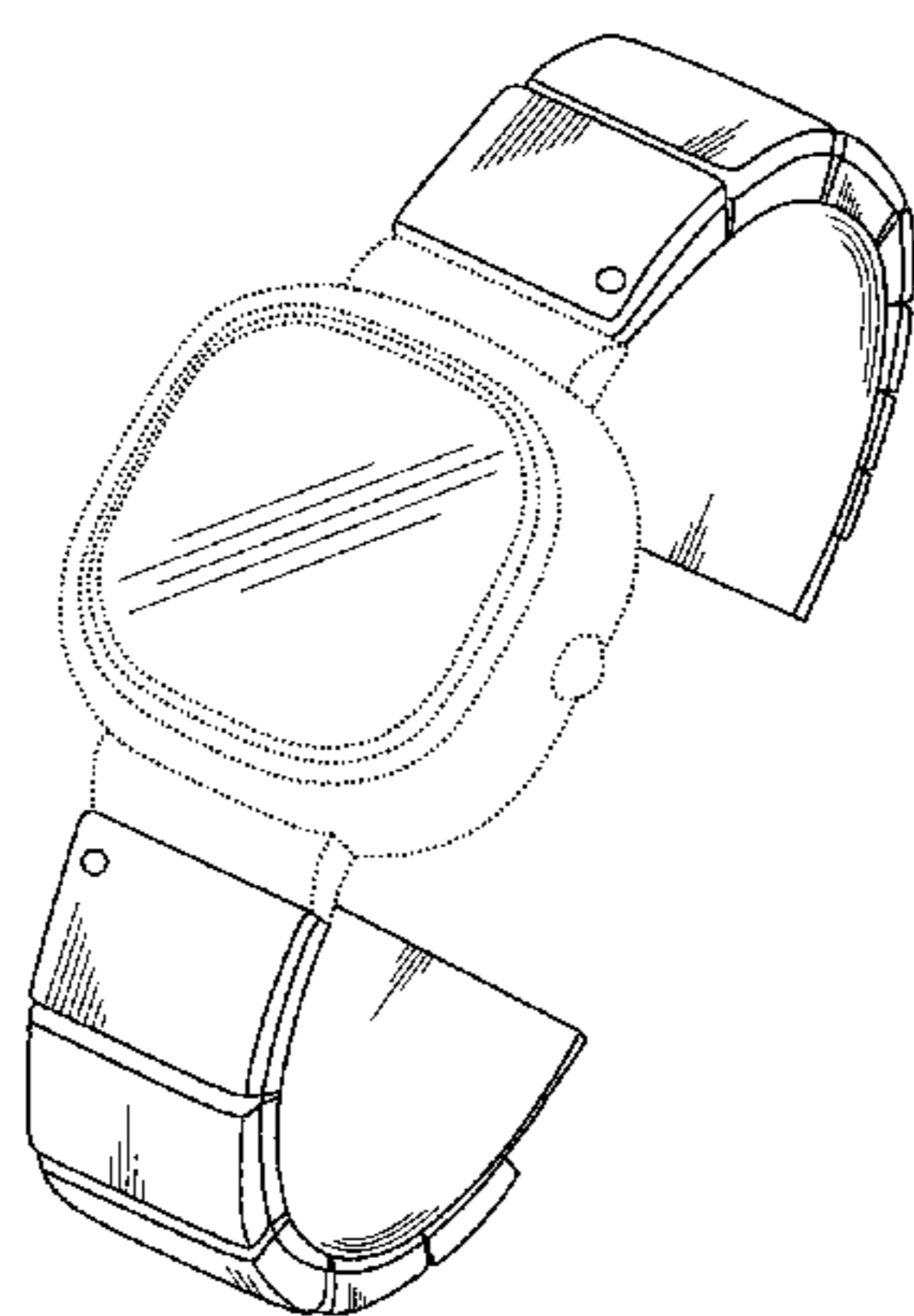
(57) **CLAIM**

The ornamental design for a smartwatch, as shown and  
described.

**DESCRIPTION**

FIG. 1 is a front view of a smartwatch;  
 FIG. 2 is a rear view of the smartwatch from FIG. 1;  
 FIG. 3 is a right side view of the smartwatch from FIG. 1;  
 FIG. 4 is a left side view of the smartwatch from FIG. 1;  
 FIG. 5 is a front view of the smartwatch from FIG. 1;  
 FIG. 6 is a rear view of the smartwatch from FIG. 1; and  
 FIG. 7 is perspective view of the smartwatch from FIG. 1.  
 FIG. 8 is an exploded perspective view of a smartwatch  
 depicting detached modules.  
 FIG. 9 is an exploded side view of a smartwatch depicting  
 detached modules.  
 FIG. 10 is a perspective view of a smartwatch depicting a  
 square-faced environment.  
 FIG. 11 is an exploded side view of the smartwatch depict-  
 ing a square-faced environment and detached modules.  
 FIG. 12 is an alternate exploded side view of the smartwatch  
 depicting a square-faced environment.  
 FIG. 13 is an enlarged exploded view of a portion of the  
 smartwatch.  
 FIG. 14 is an enlarged perspective view of a segment of the  
 smartwatch shown separately for completeness of illustra-  
 tion; and,  
 FIG. 15 is an enlarged perspective view of a different  
 segment of the smartwatch shown separately for comple-  
 teness of illustration.  
 The broken lines of the FIGURES depict environment;  
 however, the broken lines form no part of the claimed  
 design.

**1 Claim, 15 Drawing Sheets**



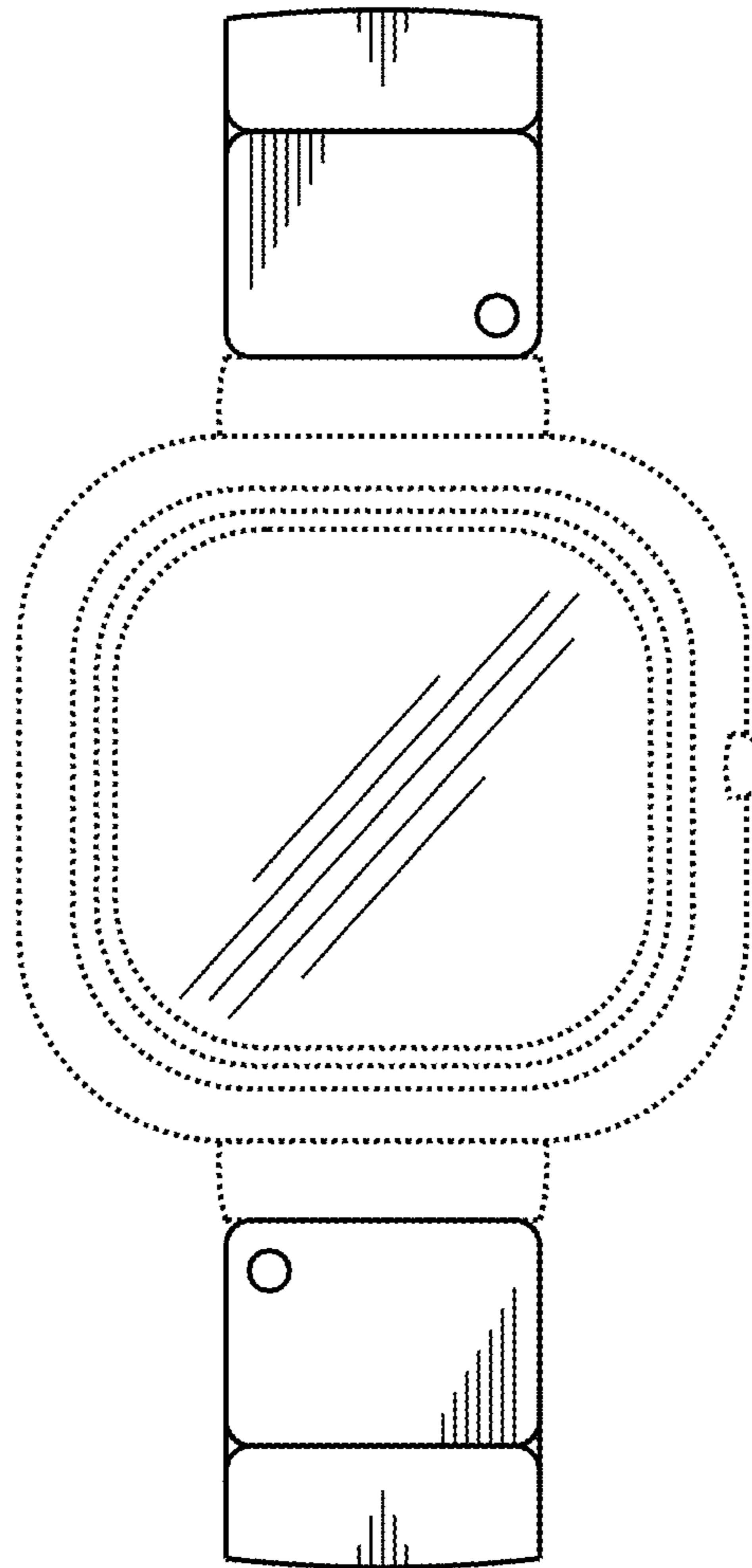
(56)

**References Cited**

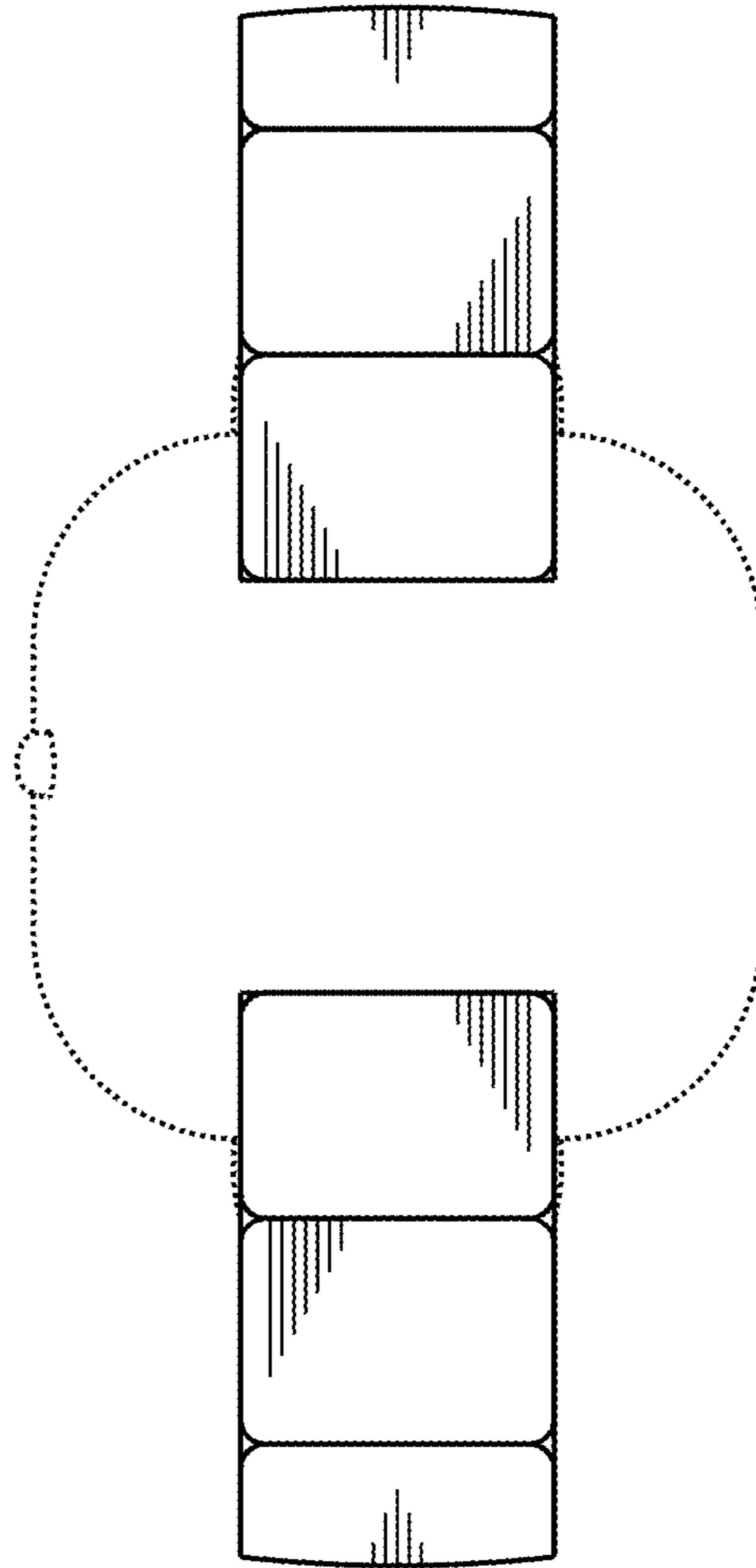
U.S. PATENT DOCUMENTS

D415,969 S \* 11/1999 Clerc ..... D10/32  
6,799,887 B1 \* 10/2004 Kinney ..... G04B 37/00  
368/281  
6,880,364 B1 \* 4/2005 Vidolin ..... A44C 5/025  
40/633  
D742,874 S \* 11/2015 Cheng ..... D14/344  
2009/0007597 A1 \* 1/2009 Hanevold ..... A44C 5/0015  
63/1.14  
2011/0061424 A1 \* 3/2011 Gupta ..... A44C 5/0015  
63/1.13

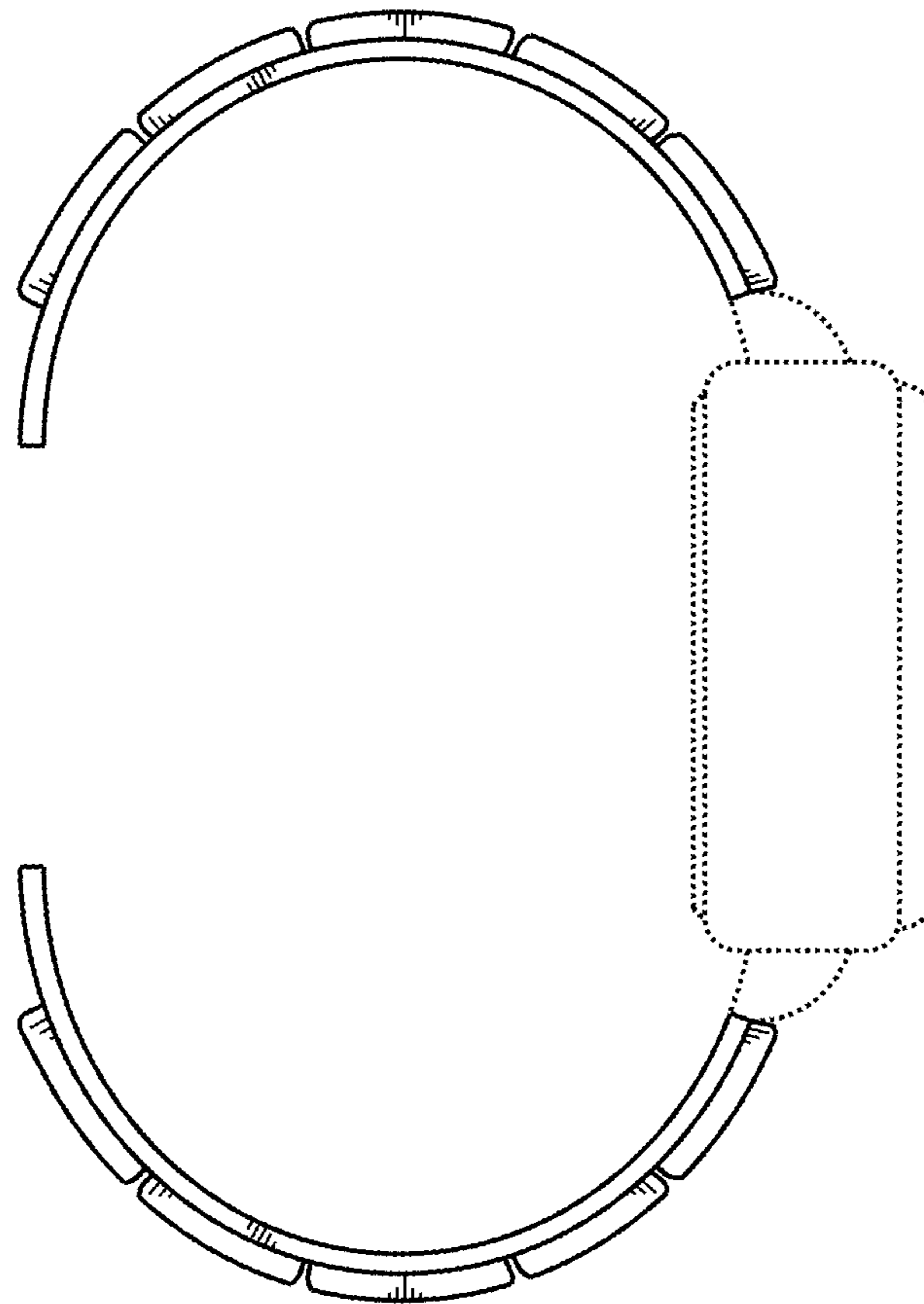
\* cited by examiner



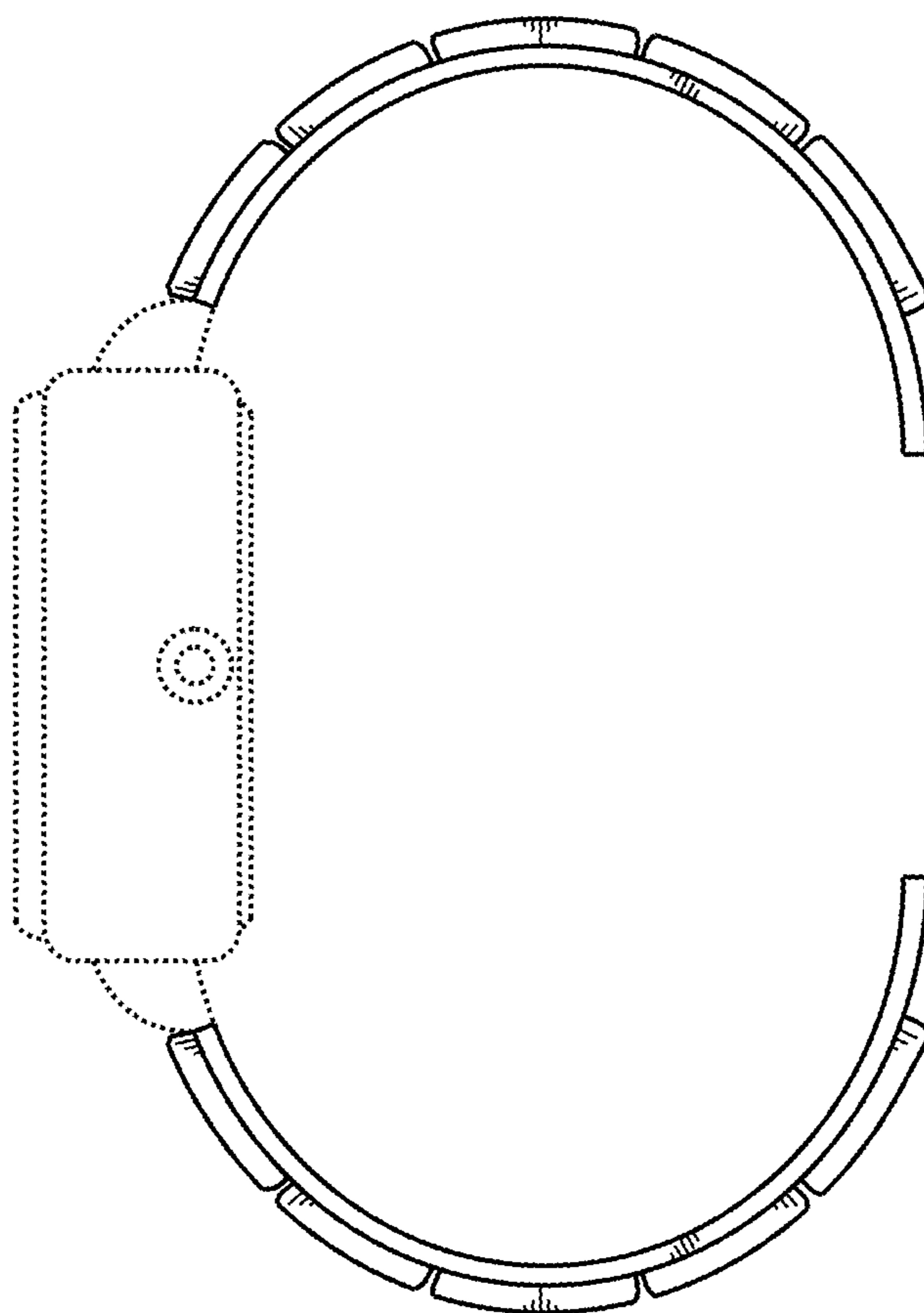
100  
FIG. 1



200  
FIG. 2

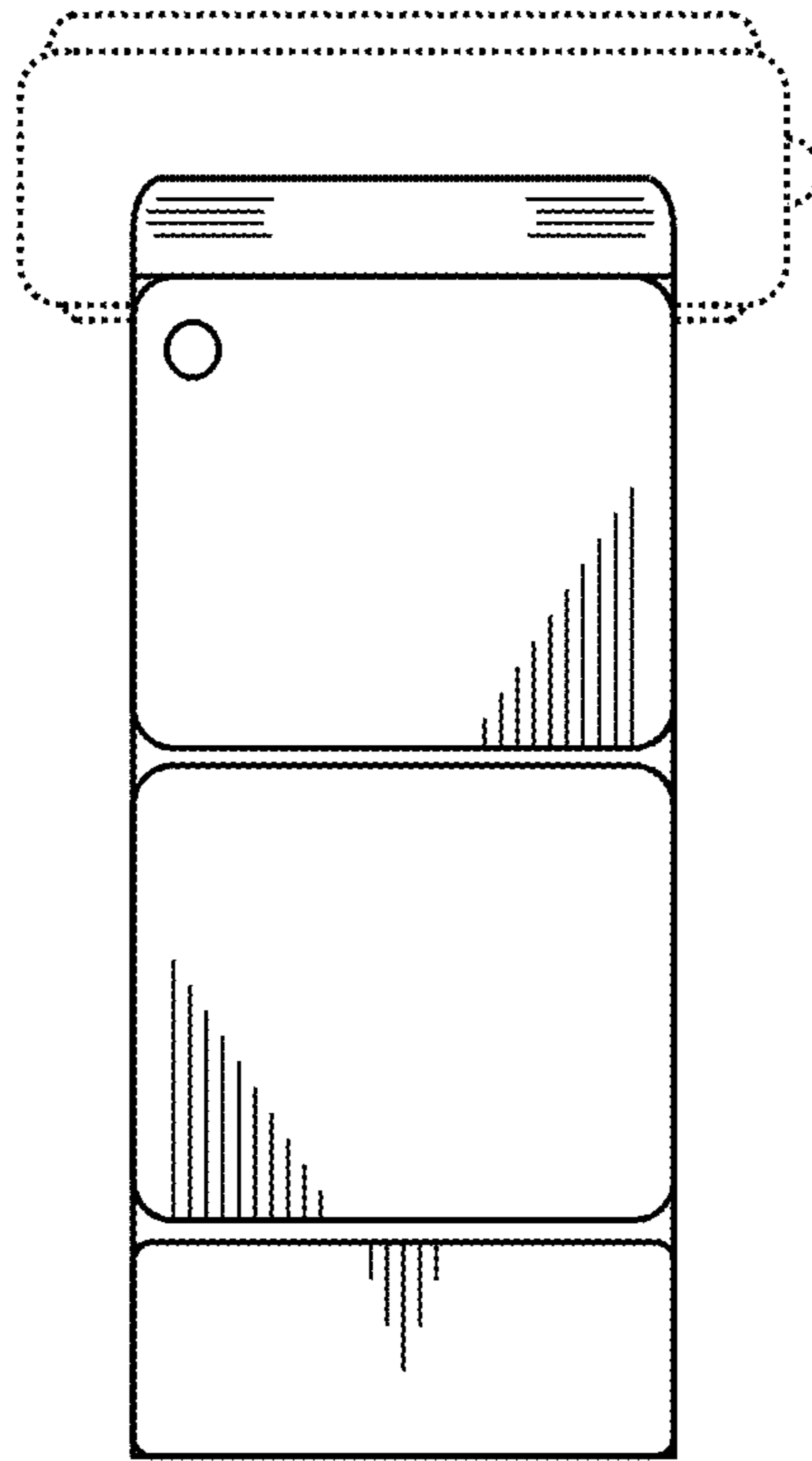


300  
FIG. 3

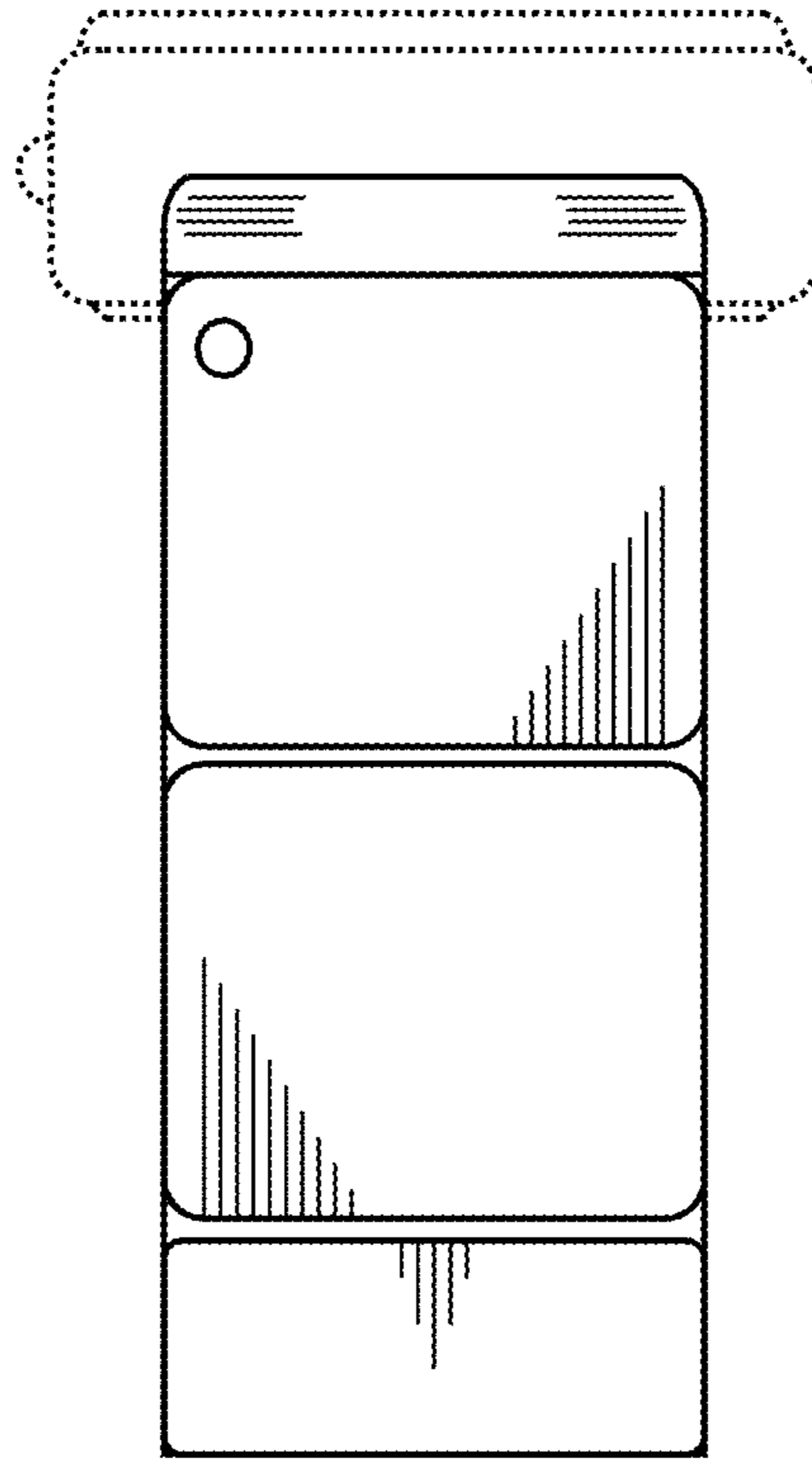


400

FIG. 4

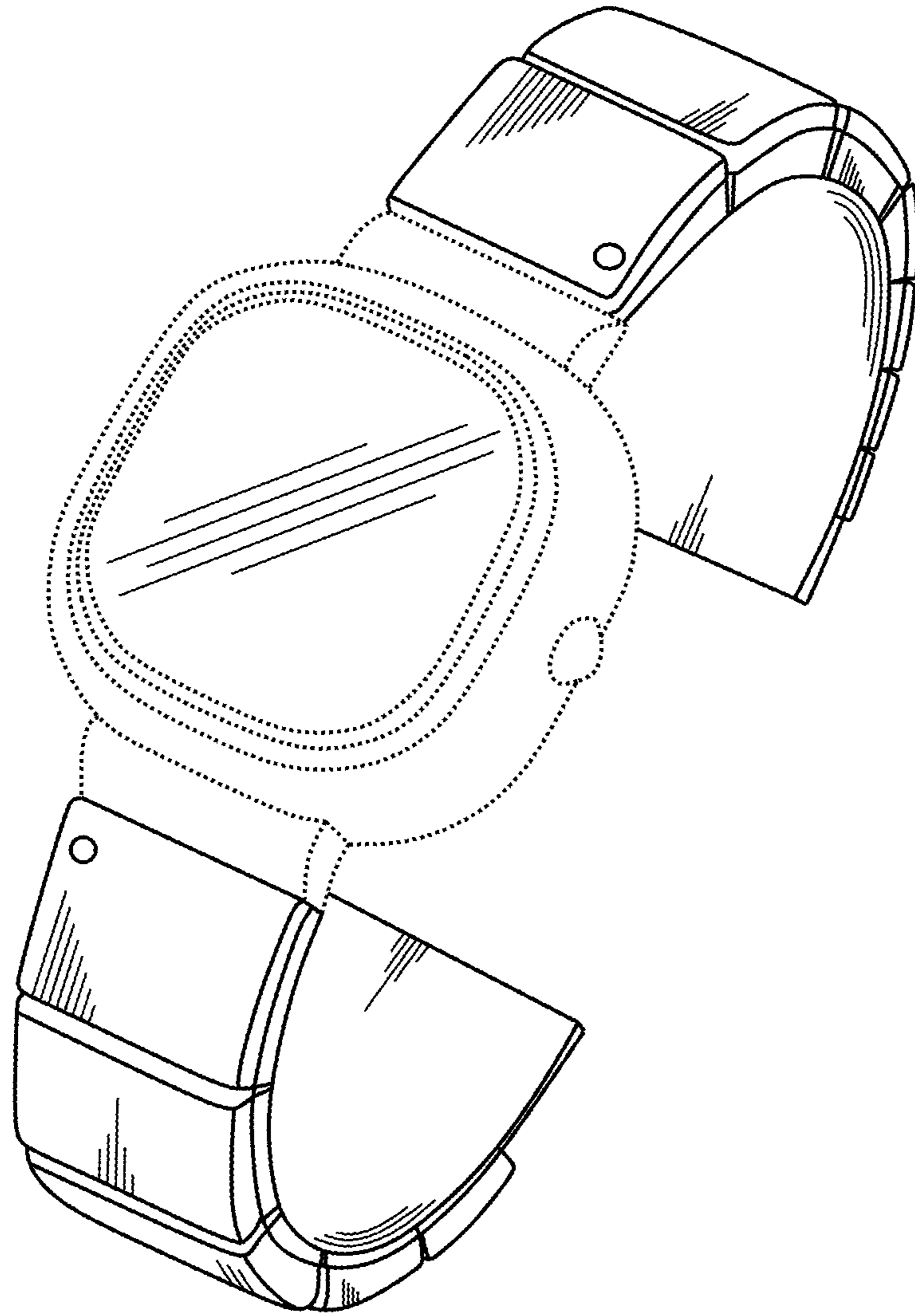


500  
FIG. 5

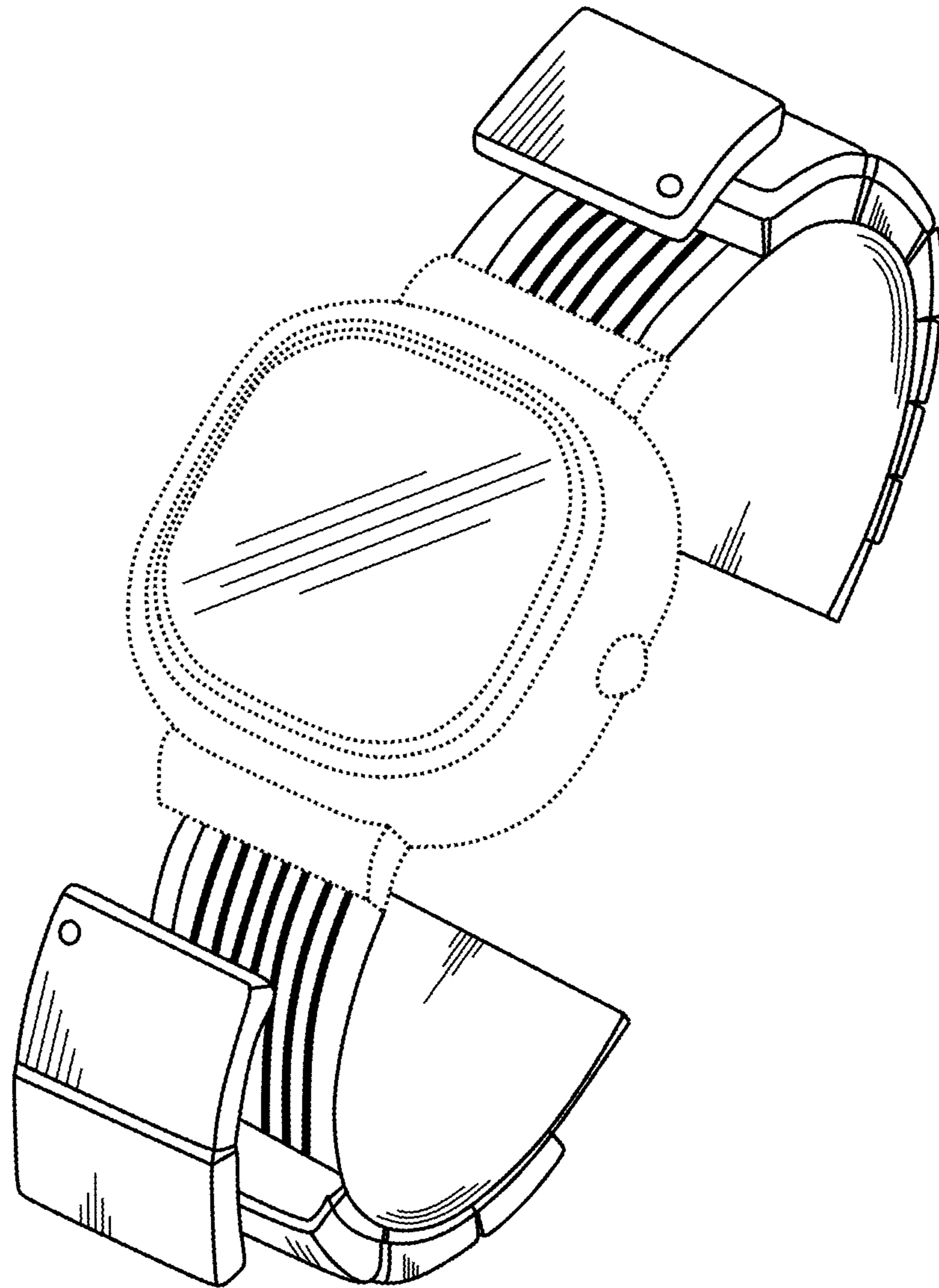


600  
FIG. 6

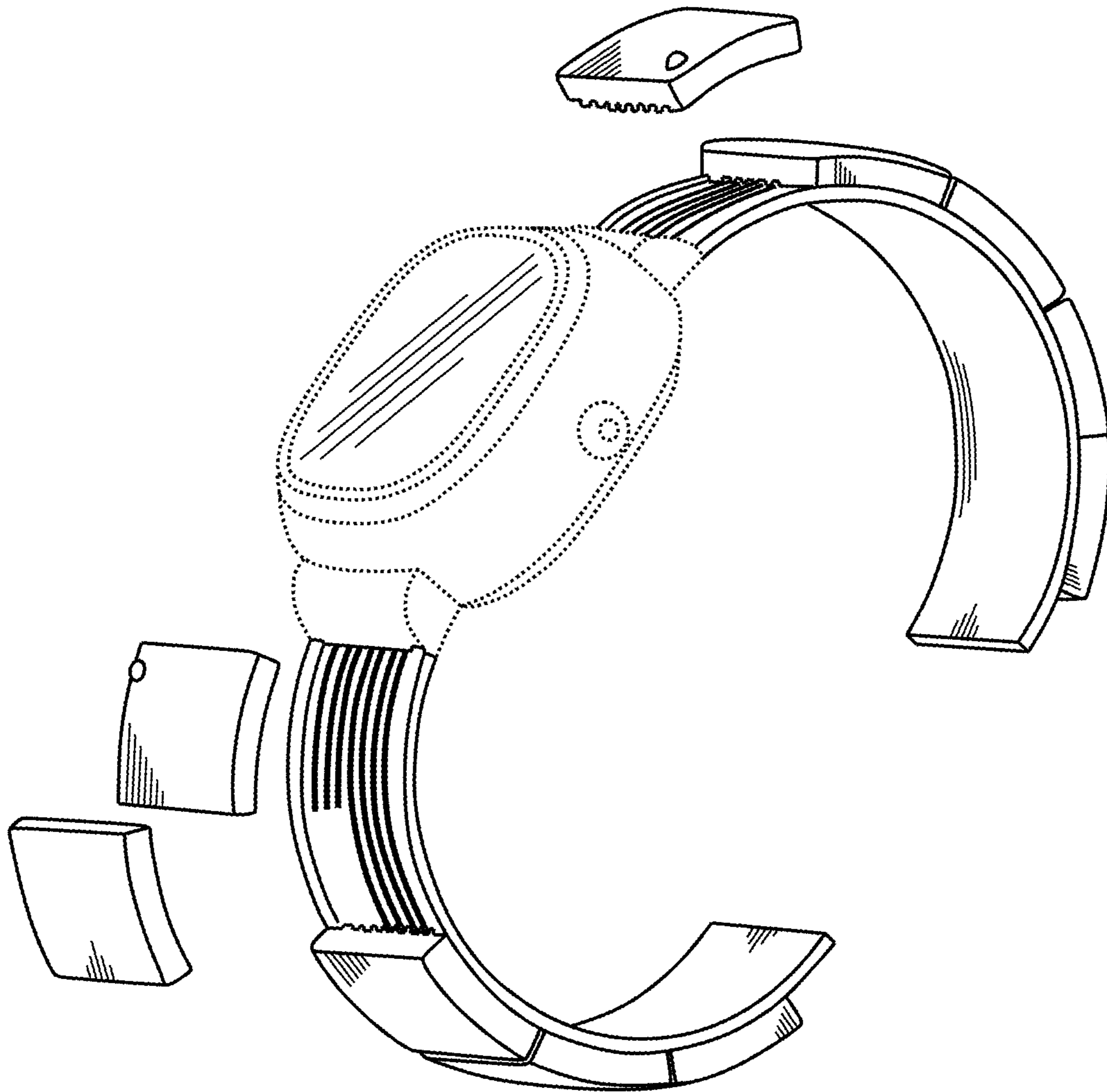




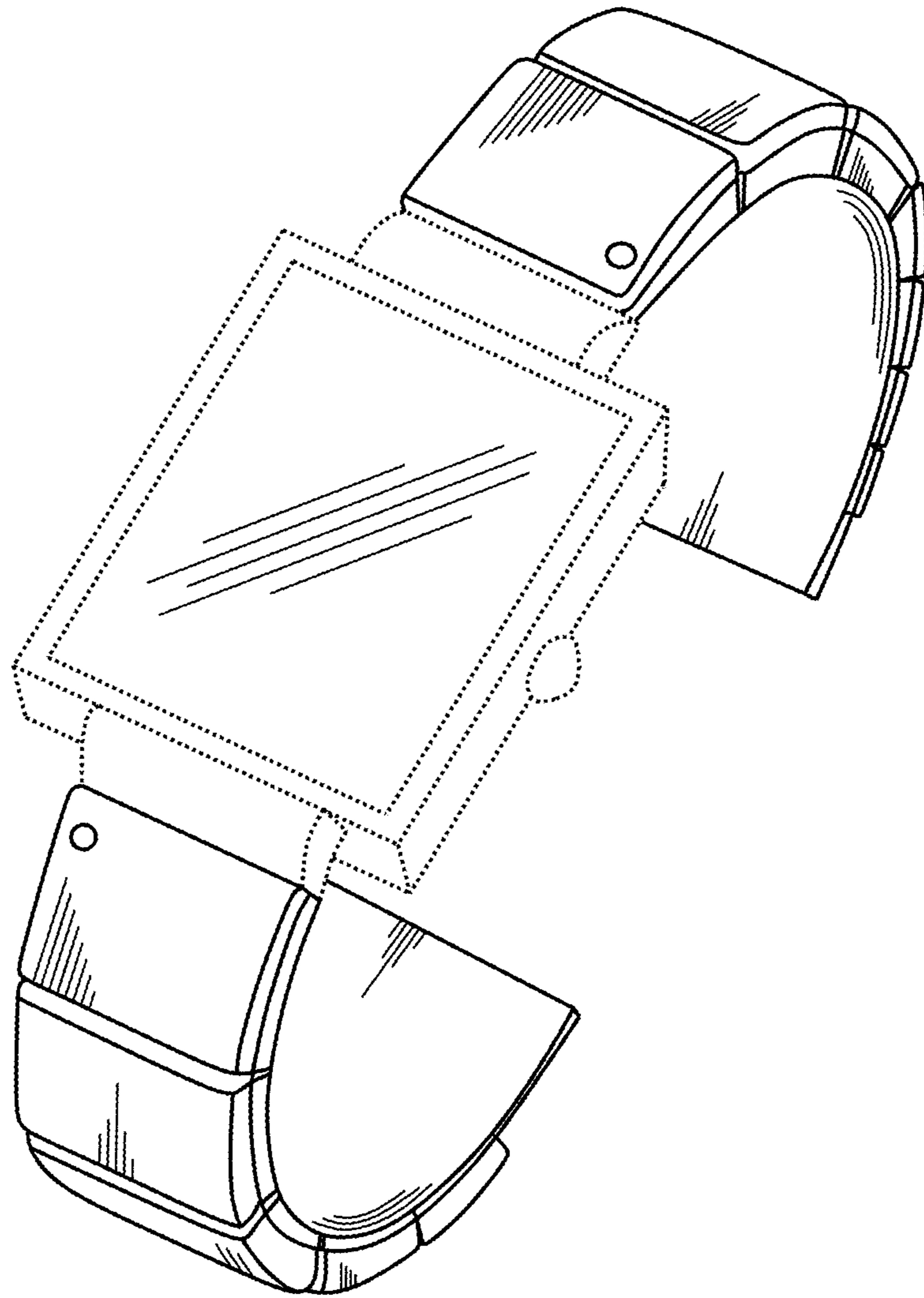
700  
FIG. 7



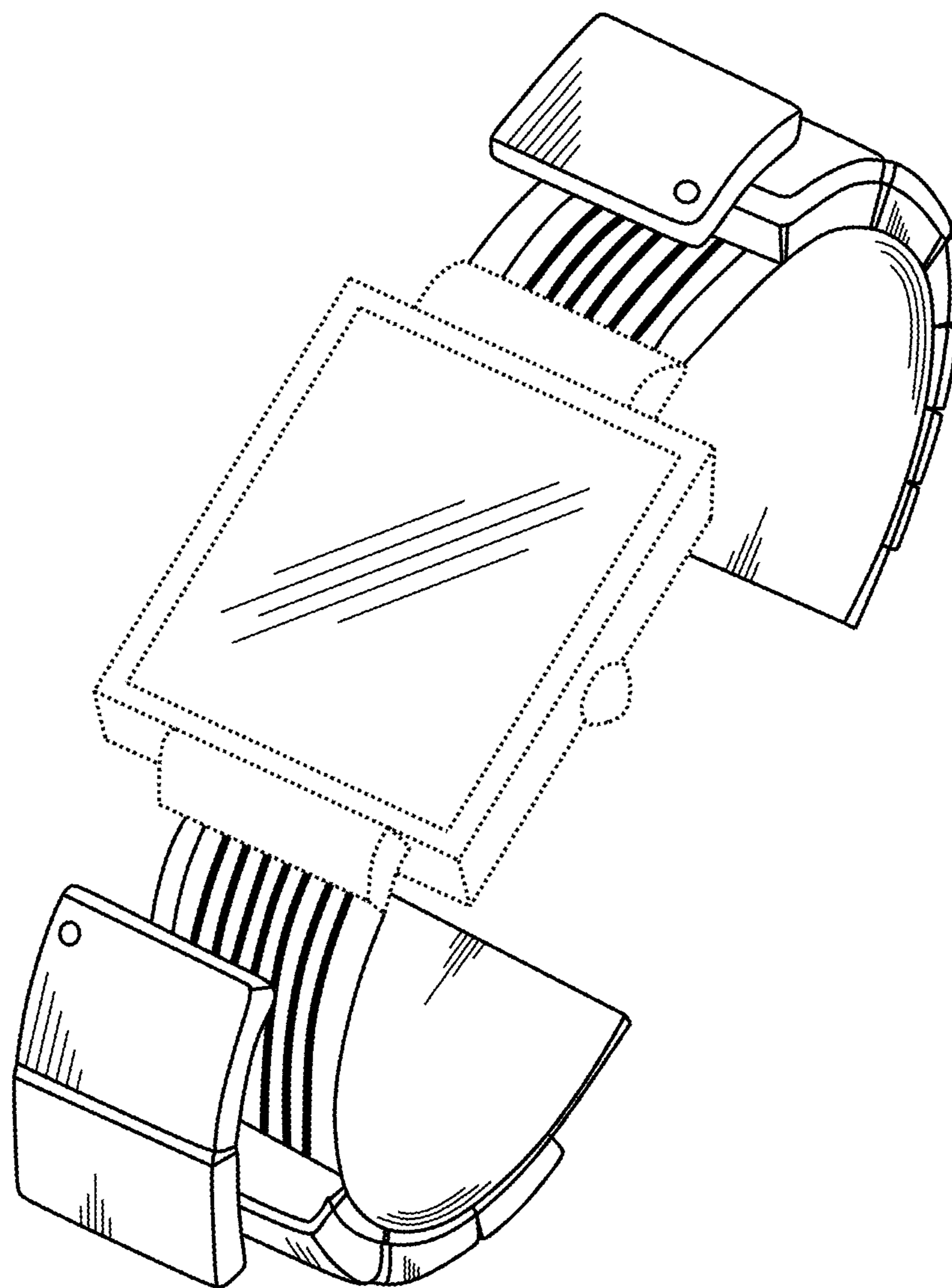
800  
FIG. 8



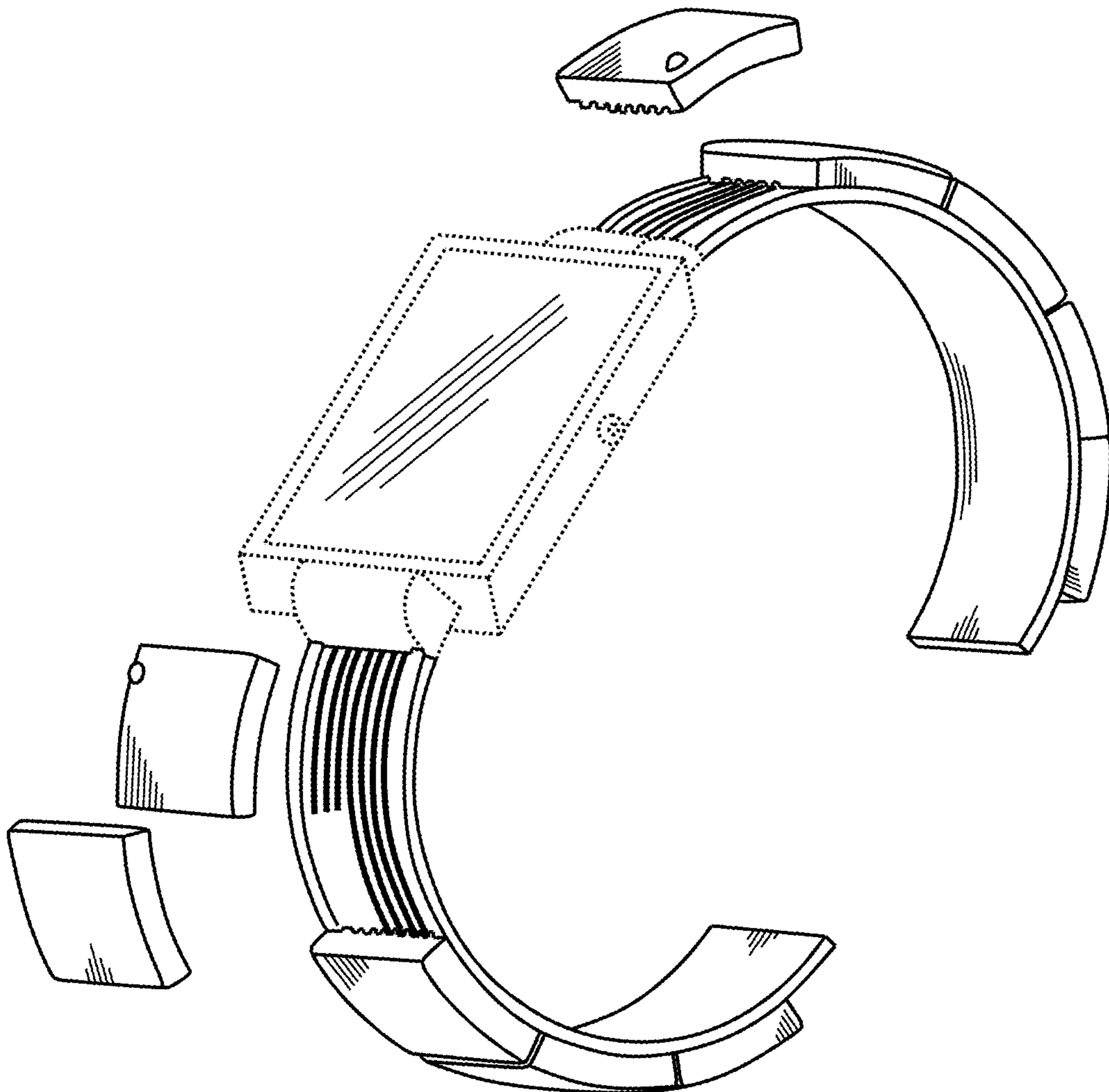
900  
FIG. 9



1000  
FIG. 10

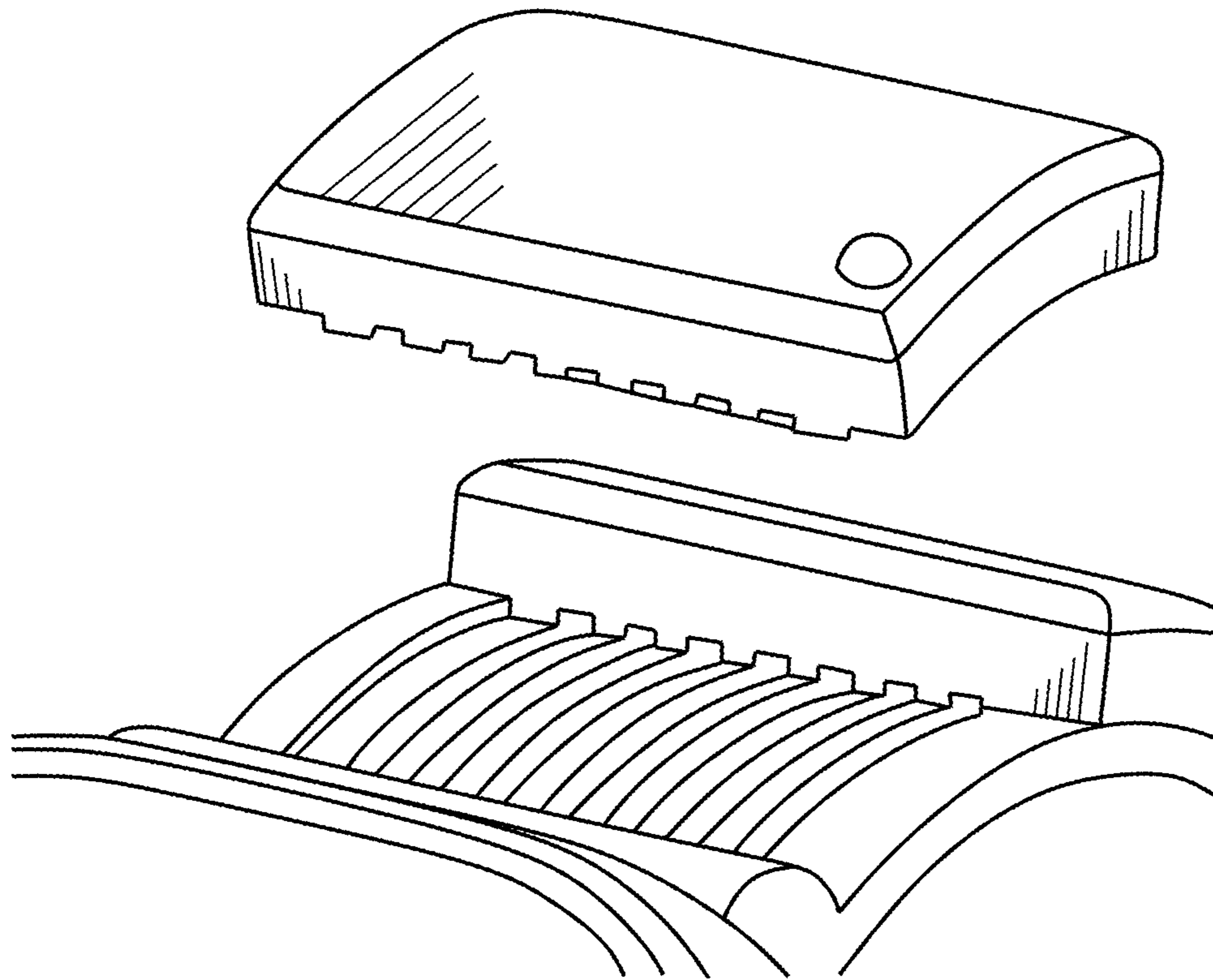


1100  
FIG. 11

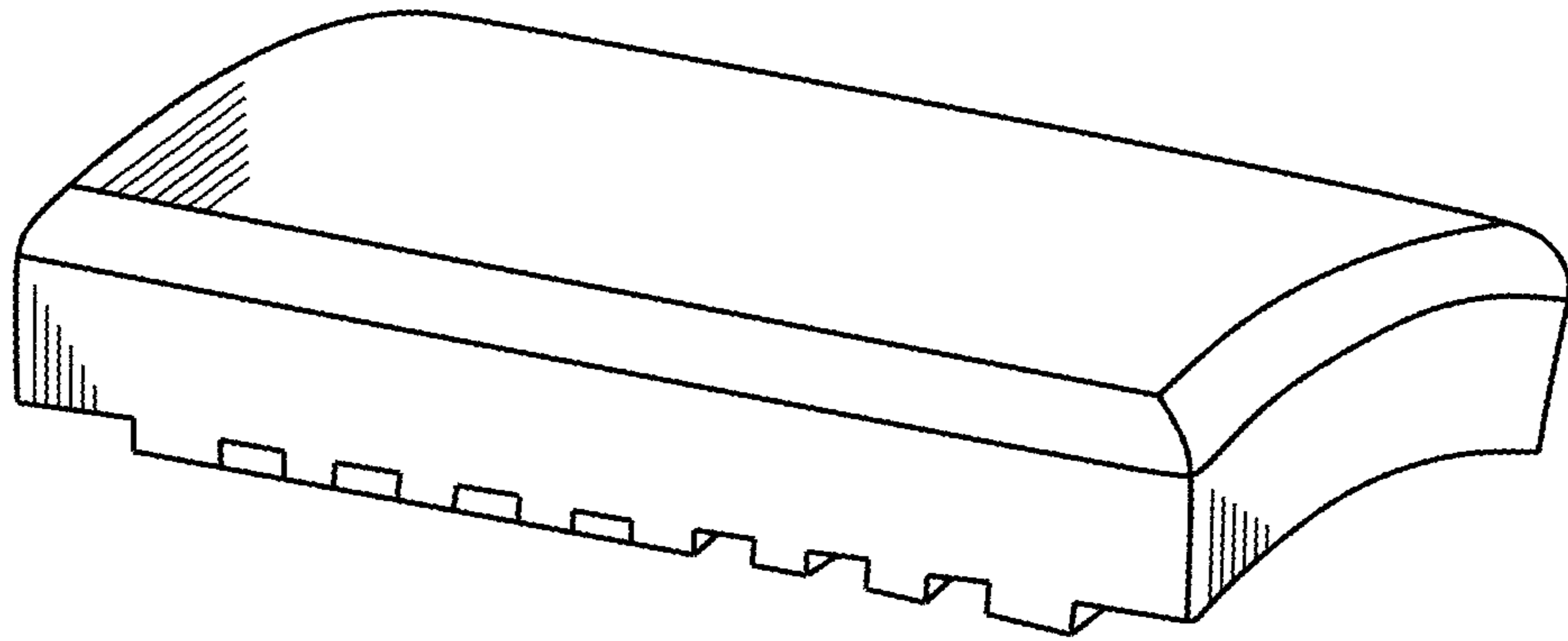


1200  
FIG. 12





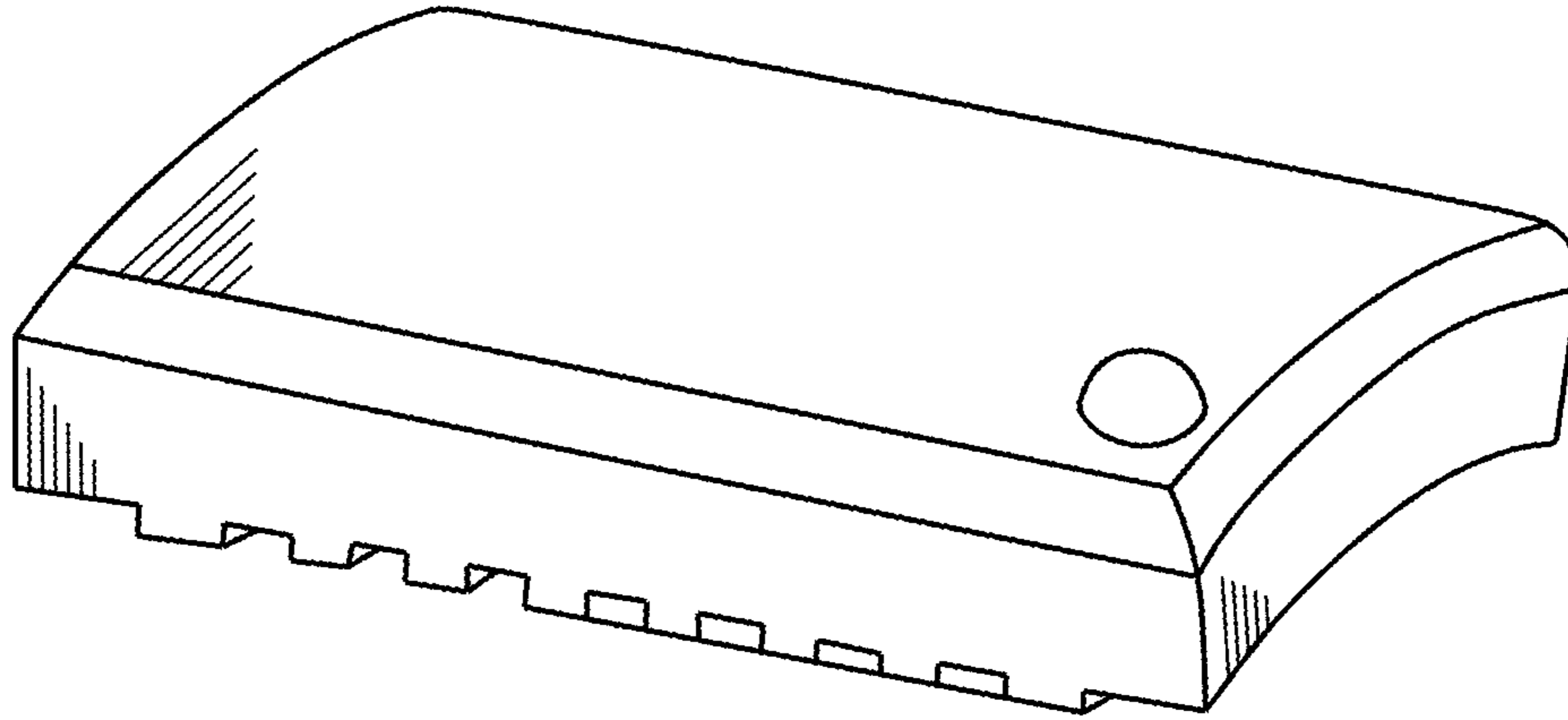
1300  
FIG. 13



1400

FIG. 14





1500  
FIG. 15