



US00D788624S

(12) **United States Design Patent**
Iritani

(10) **Patent No.:** **US D788,624 S**
(45) **Date of Patent:** **** Jun. 6, 2017**

(54) **LASER EMITTER/RECEIVER**

(71) Applicant: **Konica Minolta, Inc.**, Chiyoda-ku,
Tokyo (JP)

(72) Inventor: **Yu Iritani**, Tokyo (JP)

(73) Assignee: **Konica Minolta, Inc.**, Chiyoda-ku,
Tokyo (JP)

(**) Term: **15 Years**

(21) Appl. No.: **29/551,630**

(22) Filed: **Jan. 15, 2016**

(30) **Foreign Application Priority Data**

Jul. 16, 2015	(JP)	2015-015918
Jul. 16, 2015	(JP)	2015-015919
Jul. 16, 2015	(JP)	2015-015920
Jul. 16, 2015	(JP)	2015-015921

(51) **LOC (10) Cl.** **10-05**

(52) **U.S. Cl.**
USPC **D10/106.5**

(58) **Field of Classification Search**

USPC D10/61, 62, 65, 66, 70, 74, 106.1, 106.3,
D10/106.5, 106.6, 106.7, 113.2, 104.1,
D10/104.2, 105; D14/356, 358;
D16/221, 222, 225; D18/18, 19, 56
CPC B60Q 1/04; B60Q 1/26; H05K 7/2027;
H05K 7/20581; F24F 7/06; F24F 7/065
See application file for complete search history.

(56) **References Cited**

U.S. PATENT DOCUMENTS

D357,201 S *	4/1995	Novack	D10/104.1
D483,281 S *	12/2003	Cobigo	D10/104.1
D485,773 S *	1/2004	Chen	D10/106.6
D489,390 S *	5/2004	Ohshima	D16/225
D504,831 S *	5/2005	Snider	D10/69
D509,157 S *	9/2005	Wu	D10/69

D514,463 S *	2/2006	Levine	D10/113.2
D541,684 S *	5/2007	Sandy	D10/70
D563,247 S *	3/2008	Ishii	D10/66
D573,045 S *	7/2008	Levinson	D10/66
D642,485 S *	8/2011	Riegl	D10/66
D651,889 S *	1/2012	Mahaffey	D8/330

(Continued)

OTHER PUBLICATIONS

“3-D LiDAR.” Konica Minolta. <http://www.konicaminolta.com/about/research/future/3dlr/index.html>.*

(Continued)

Primary Examiner — Manpreet Matharu

Assistant Examiner — Suzanne Tisdell

(74) *Attorney, Agent, or Firm* — Buchanan, Ingersoll & Rooney PC

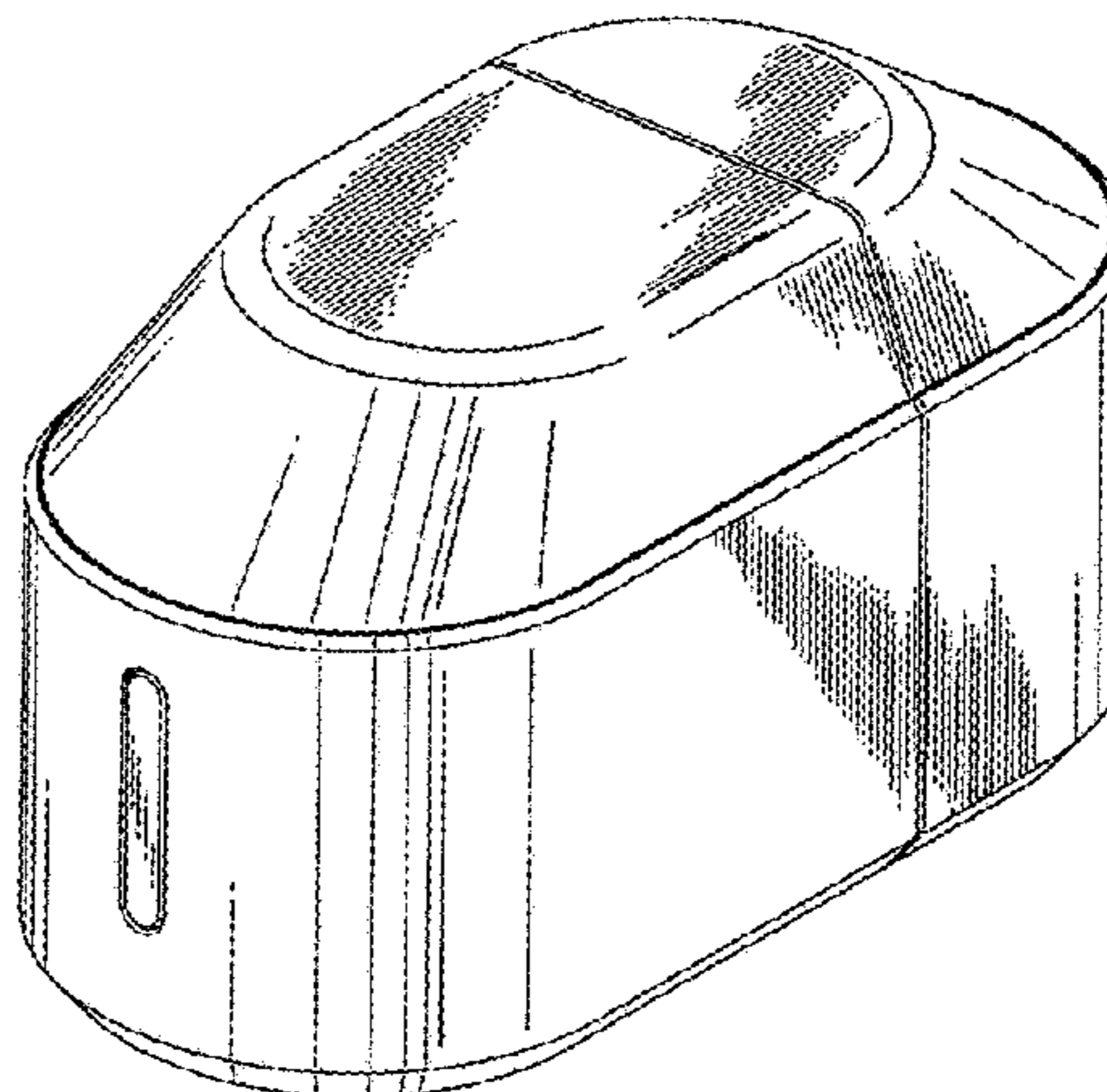
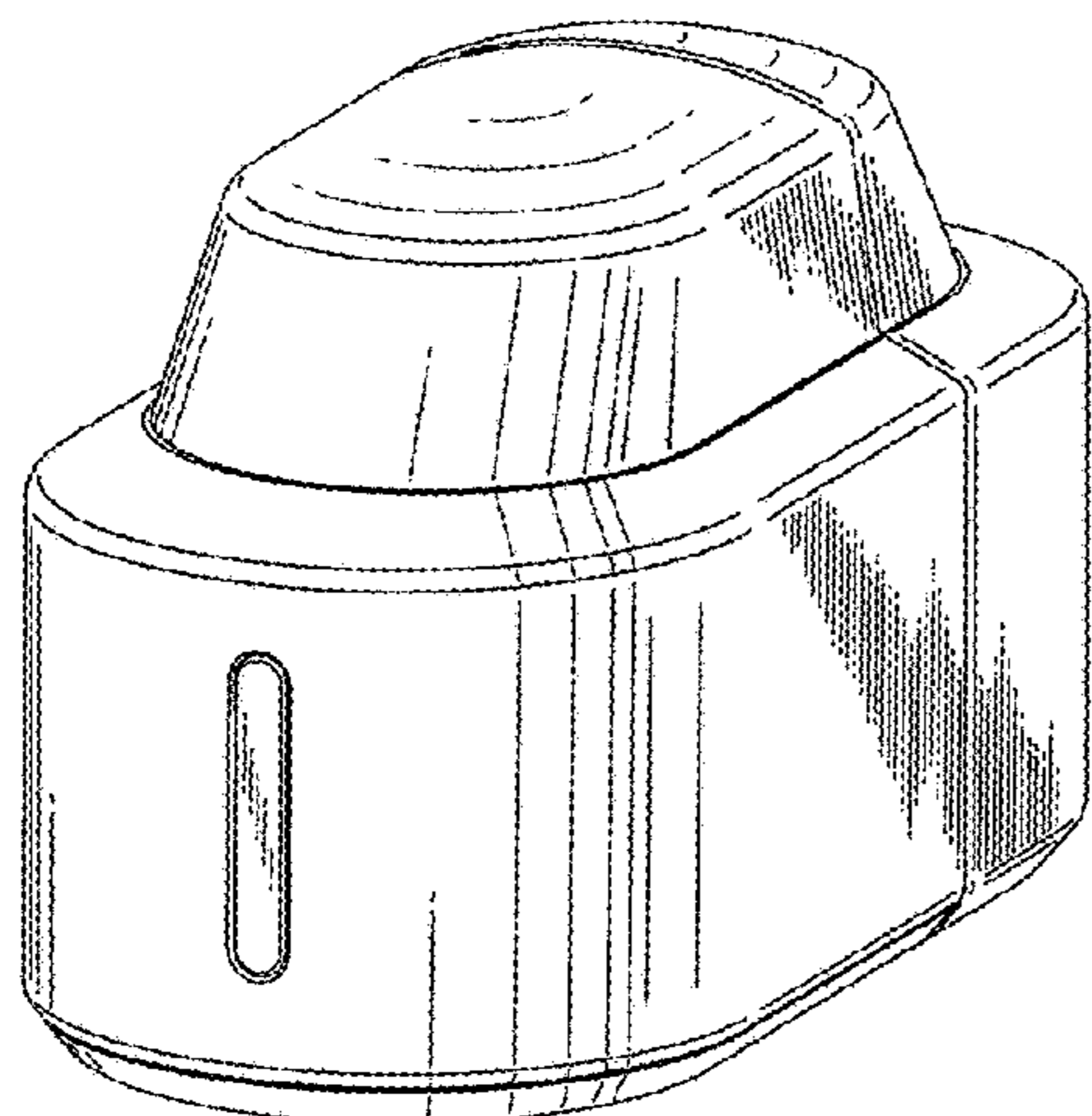
(57) **CLAIM**

The ornamental design for a laser emitter/receiver, as shown and described.

DESCRIPTION

FIG. 1 is a perspective view of a laser emitter/receiver showing a first embodiment of my new design;
 FIG. 2 is a front view thereof;
 FIG. 3 is a back view thereof;
 FIG. 4 is a top view thereof;
 FIG. 5 is a bottom view thereof;
 FIG. 6 is a right view thereof;
 FIG. 7 is a left view thereof;
 FIG. 8 is a perspective view of a laser emitter/receiver showing a second embodiment of my new design;
 FIG. 9 is a front view thereof;
 FIG. 10 is a back view thereof;
 FIG. 11 is a top view thereof;
 FIG. 12 is a bottom view thereof;
 FIG. 13 is a right view thereof; and,
 FIG. 14 is a left view thereof.

1 Claim, 8 Drawing Sheets



(56)

References Cited

U.S. PATENT DOCUMENTS

D669,894 S * 10/2012 Cobbett D14/358
D670,180 S * 11/2012 Ishii D10/66
D689,385 S * 9/2013 Haws D10/106.8
D692,333 S * 10/2013 Moeller D10/106.8
D710,228 S * 8/2014 Burke D10/104.1
D753,520 S * 4/2016 Takenaka D10/106.1
D758,230 S * 6/2016 Hojmose D10/106.5
D764,463 S * 8/2016 Dwivedula D14/358
D766,753 S * 9/2016 Ishii D10/66
D766,756 S * 9/2016 Franc D10/70
D767,419 S * 9/2016 Matteo D10/70
D773,329 S * 12/2016 Olodort D10/104.1

OTHER PUBLICATIONS

Konica Minolta Holdings, Inc.'s Homepage, with partial translation of relevant portion provided by Konica Minolta Holdings, Inc. (3 pages).

Japanese Office Action issued in corresponding Japanese Design Appln. No. 2015-015918 dated Mar. 28, 2016, with English-language translation (2 pages).

Japanese Office Action issued in corresponding Japanese Design Appln. No. 2015-015919 dated Apr. 11, 2016, with English-language translation (2 pages).

Japanese Office Action issued in corresponding Japanese Design Appln. No. 2015-015920 dated Apr. 11, 2016, with English-language translation (2 pages).

Japanese Office Action issued in corresponding Japanese Design Appln. No. 2015-015921 dated Apr. 11, 2016, with English-language translation (2 pages).

* cited by examiner

FIG.1

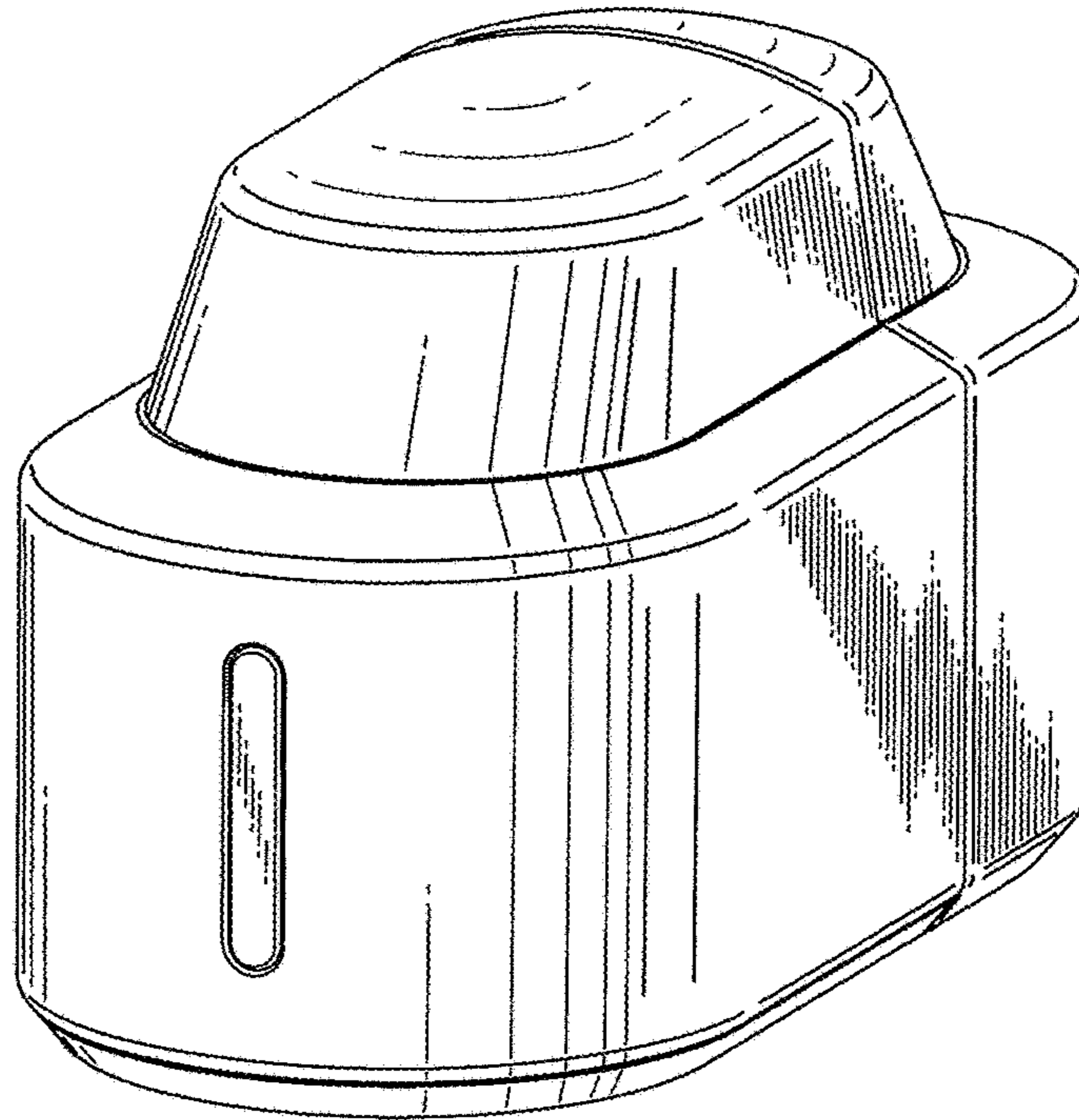


FIG.2

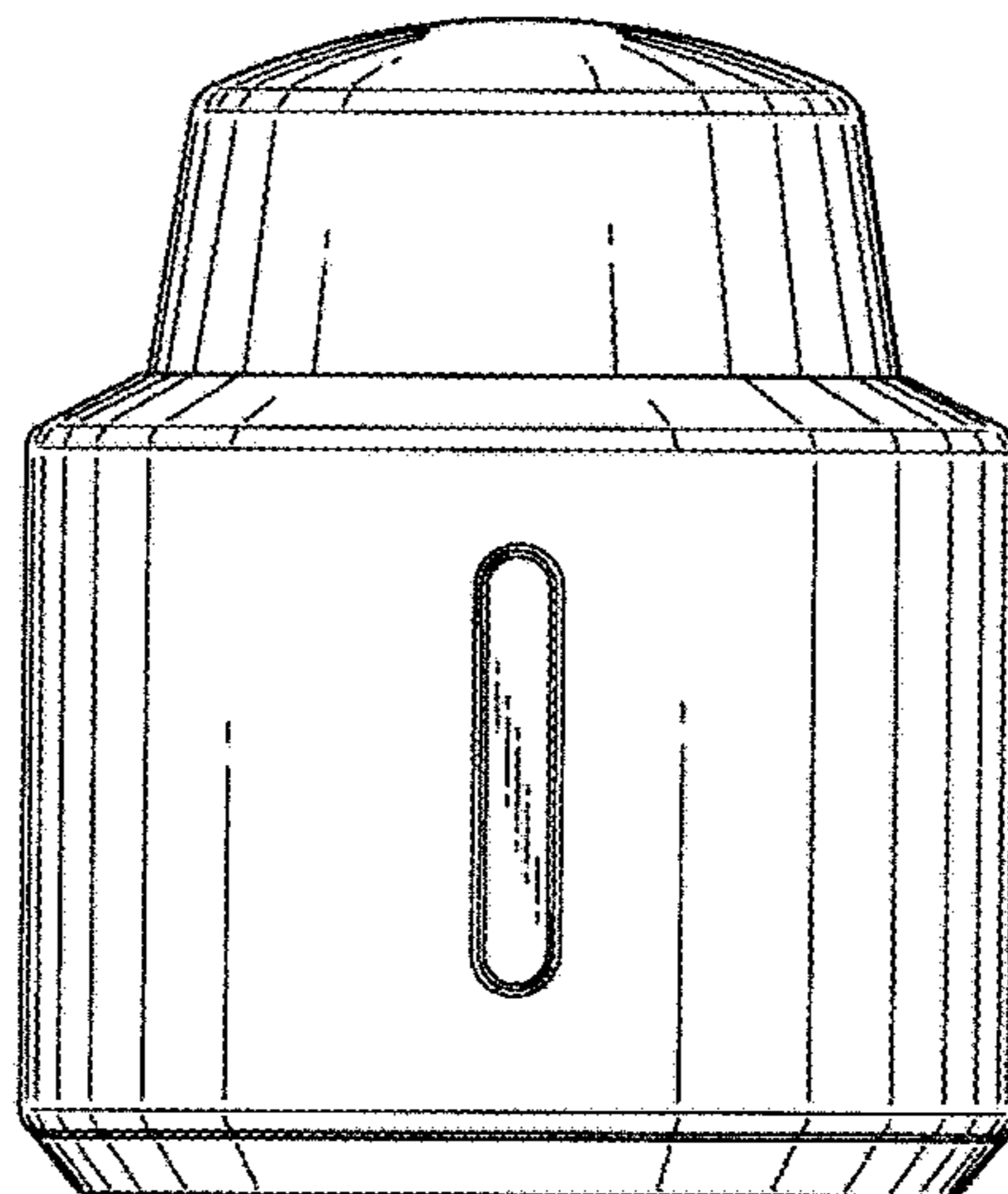


FIG.3

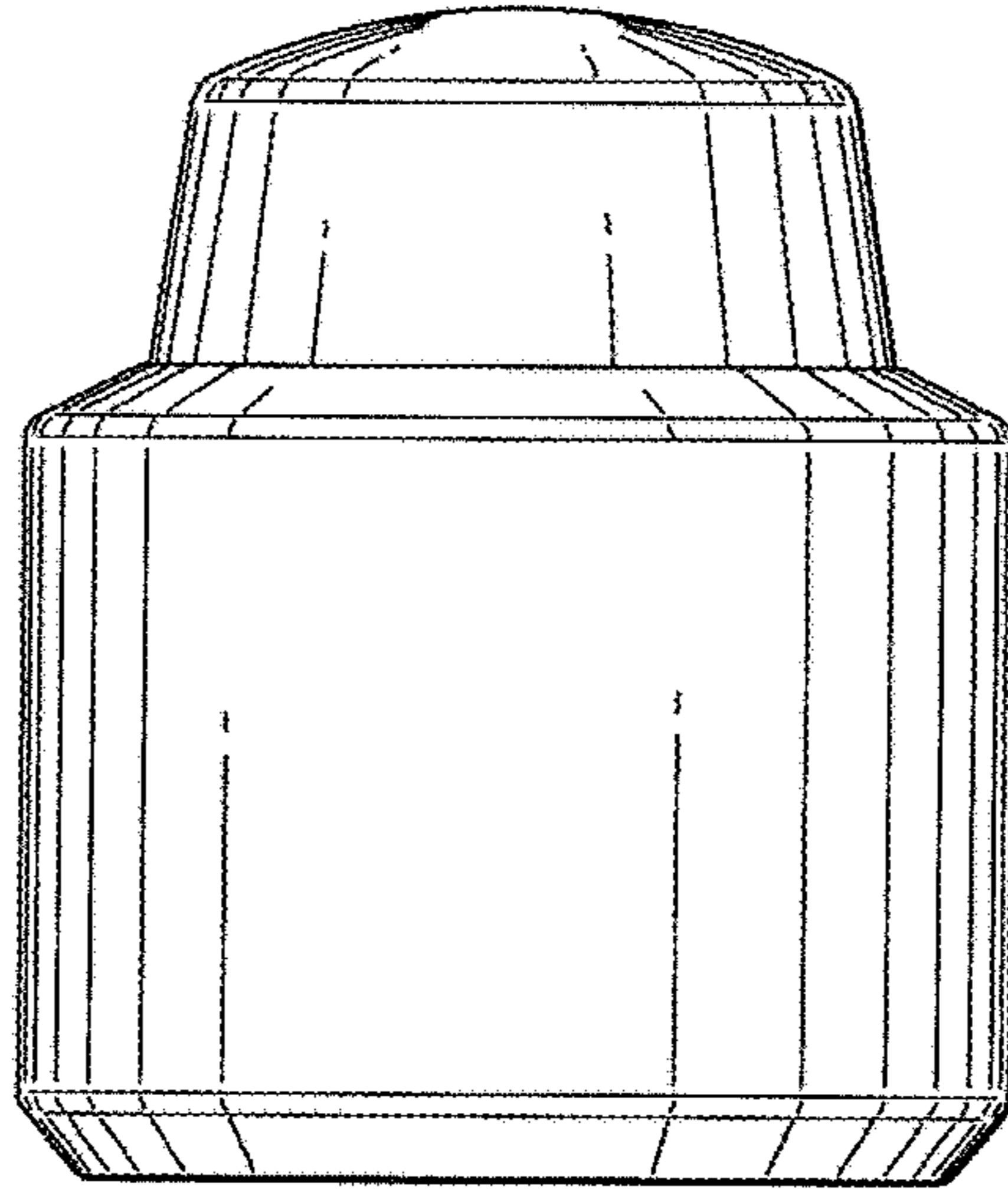


FIG.4

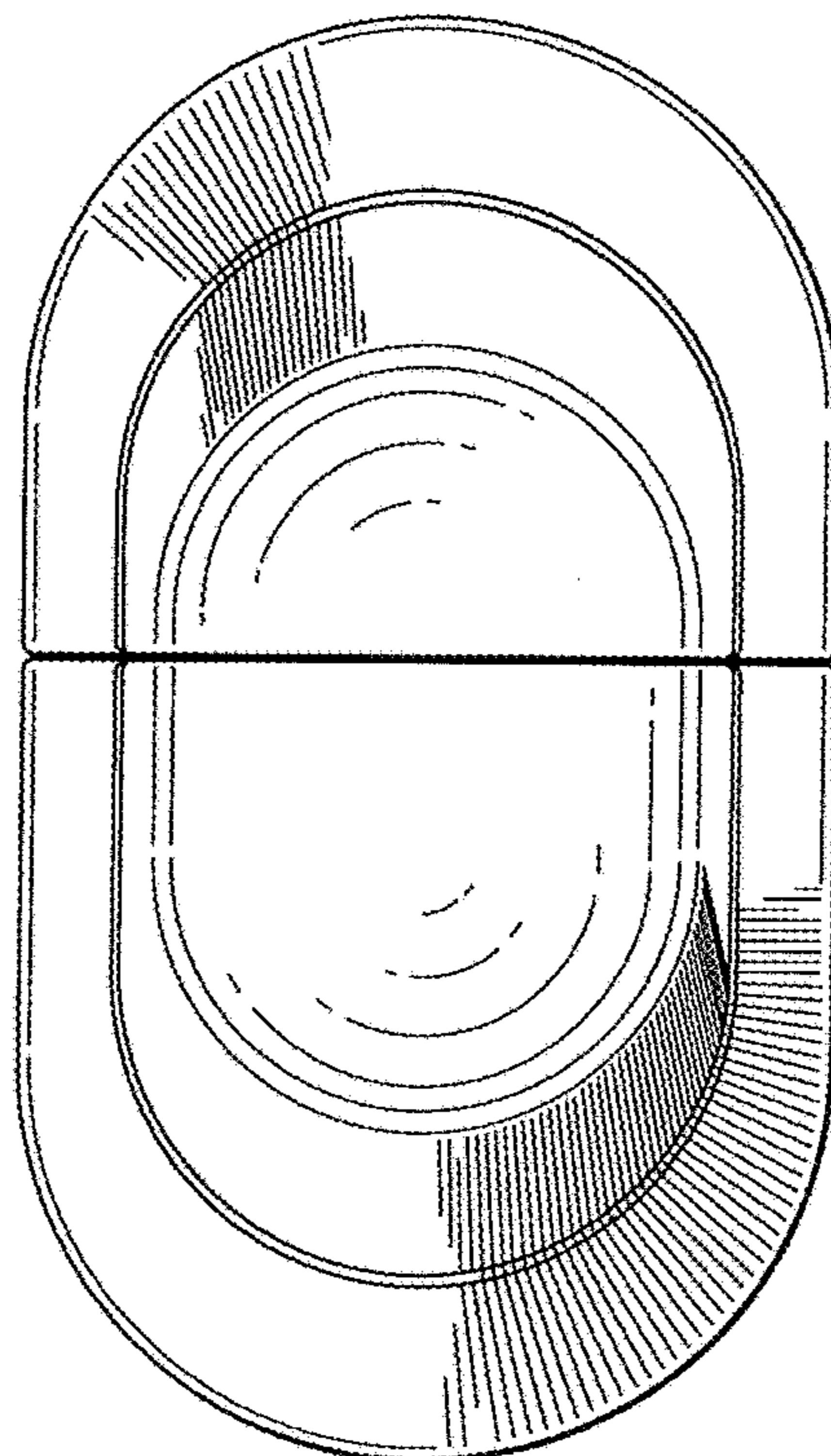


FIG.5

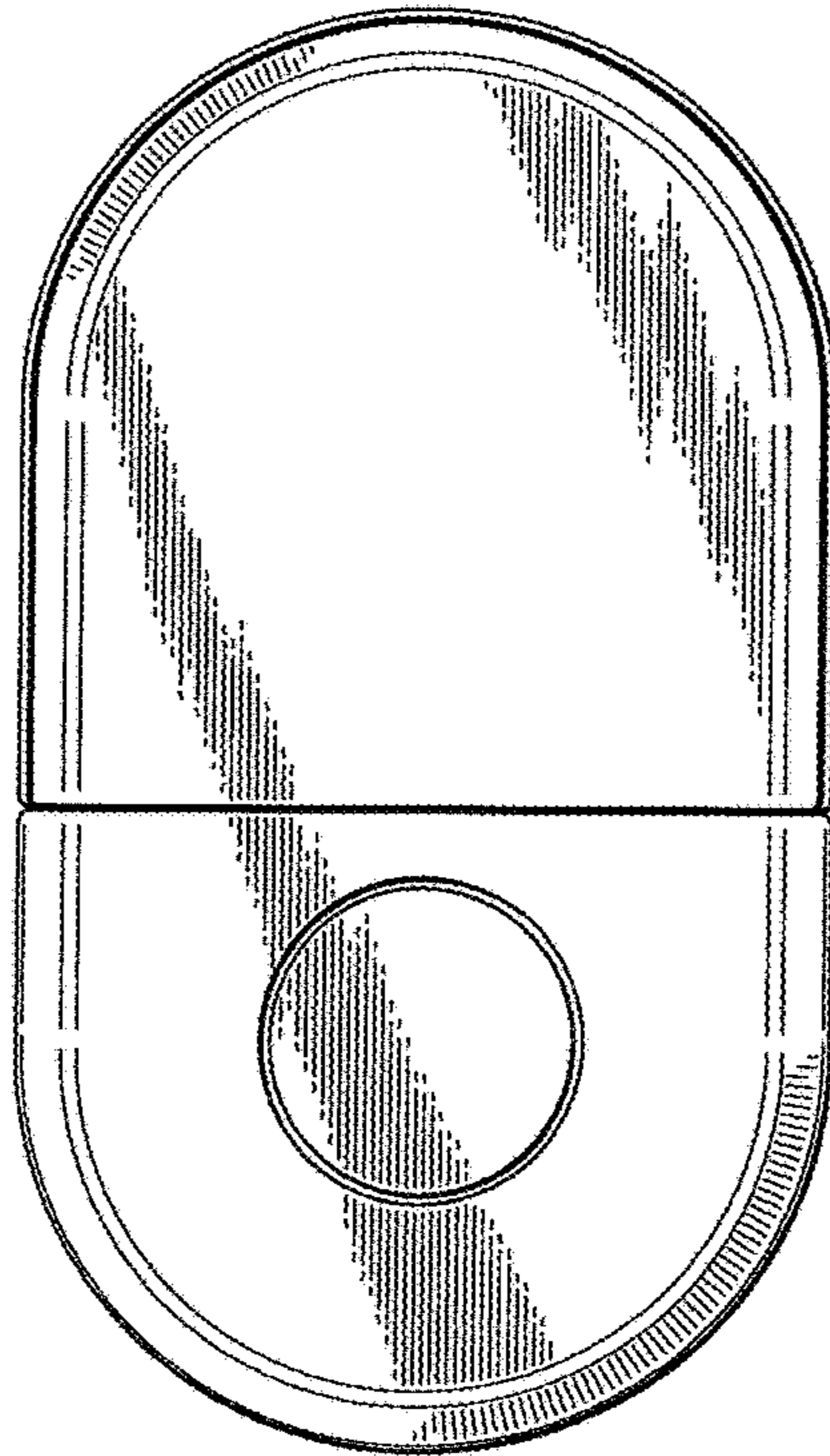


FIG.6

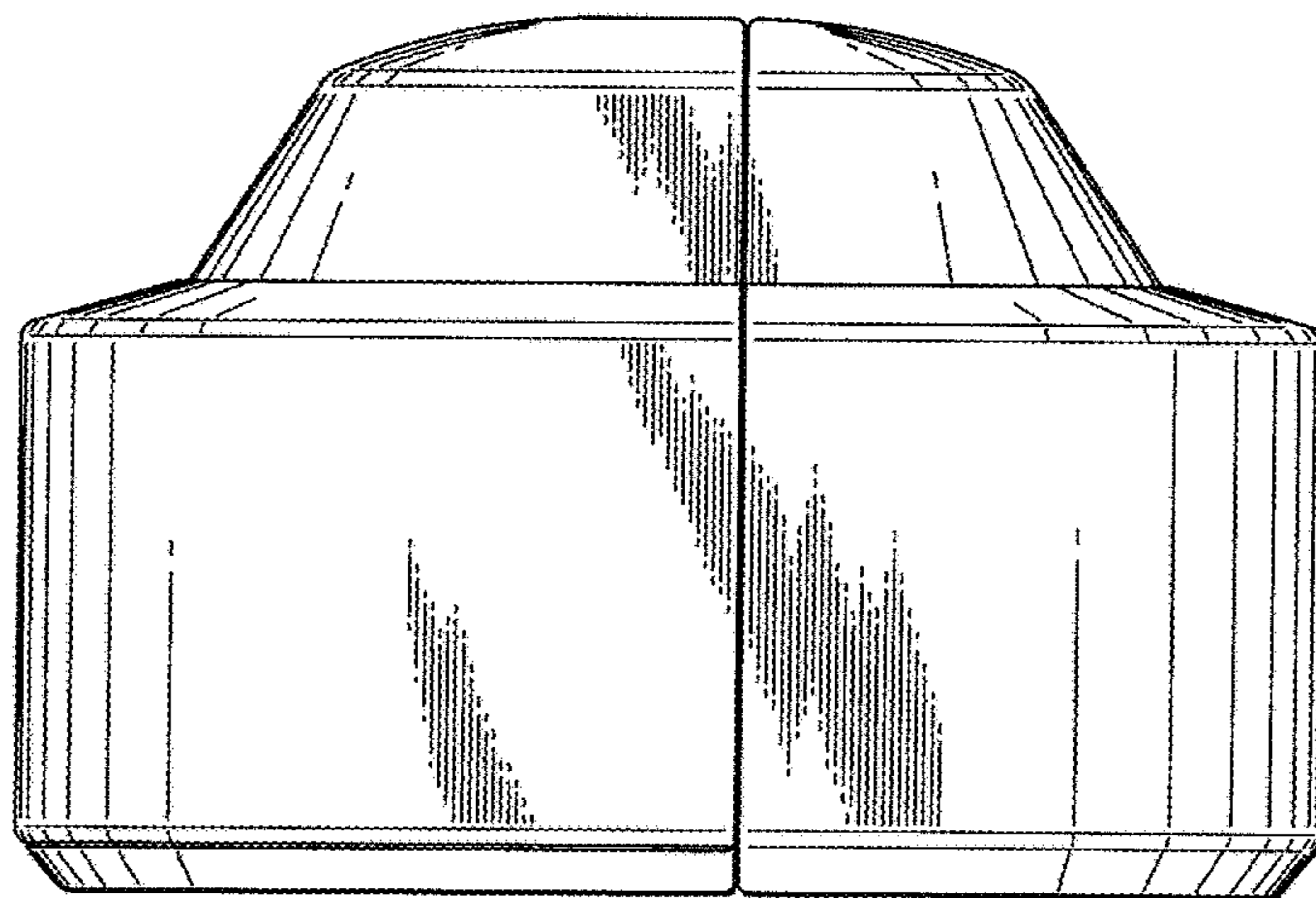


FIG.7

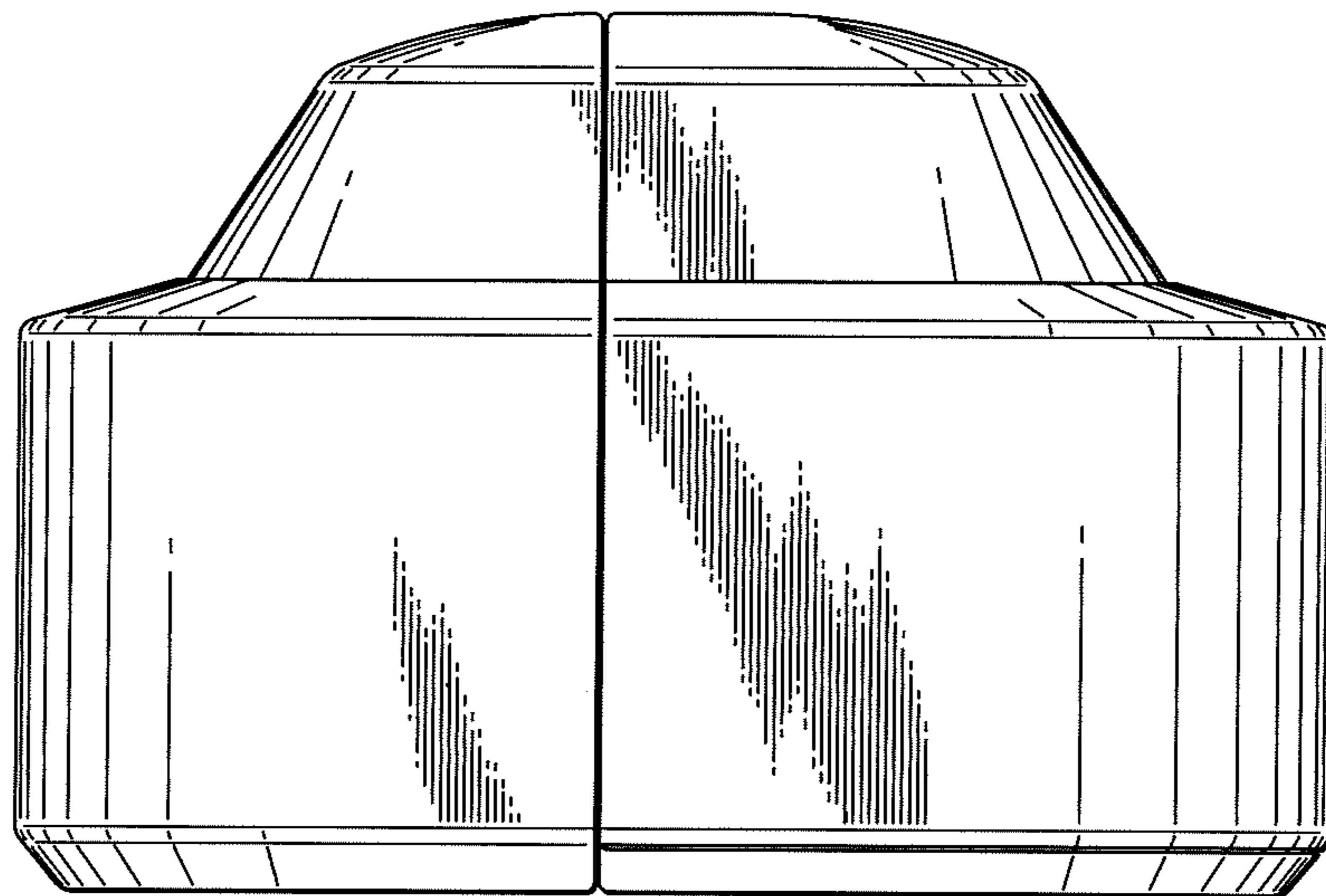


FIG.8

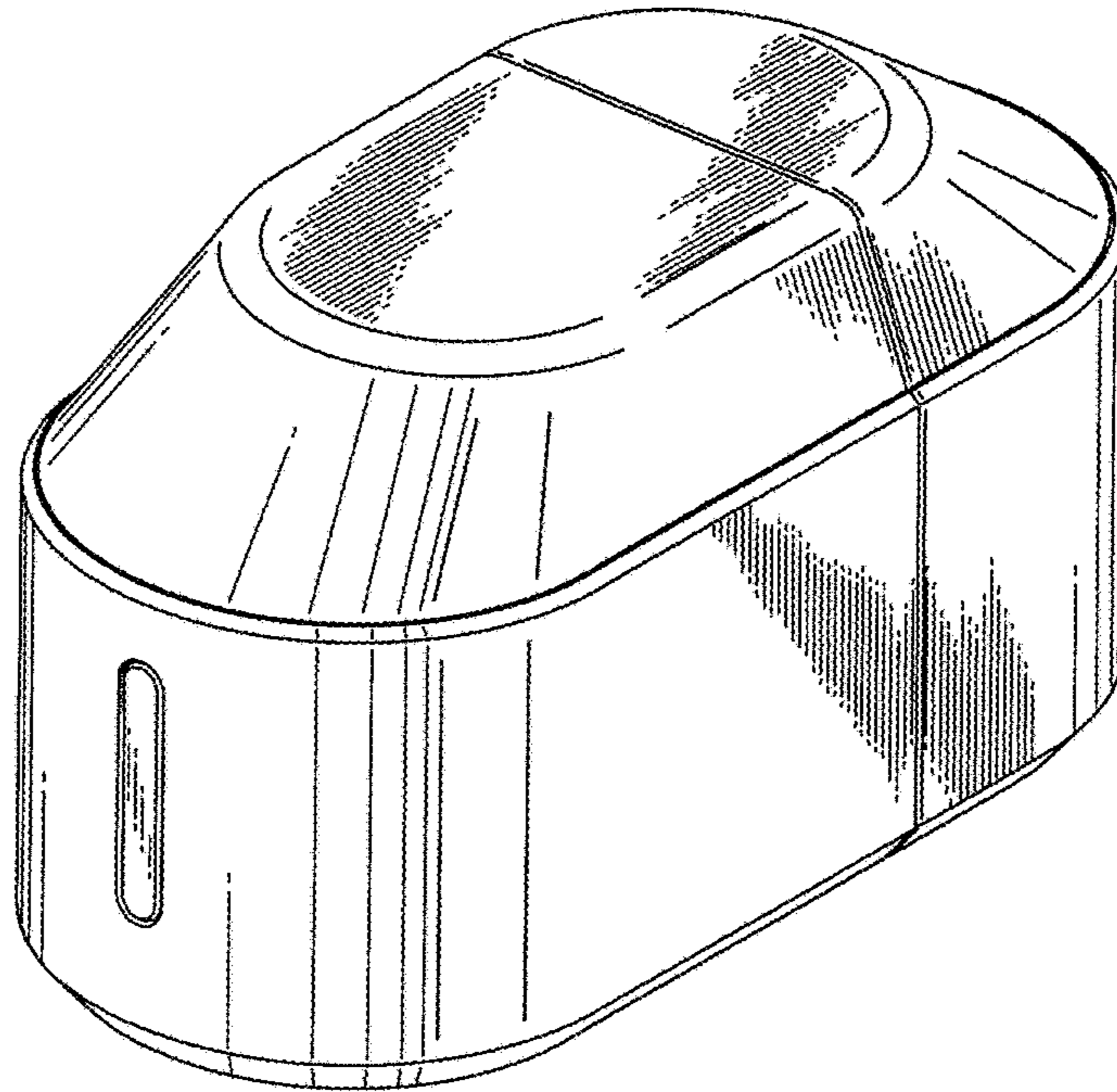


FIG.9

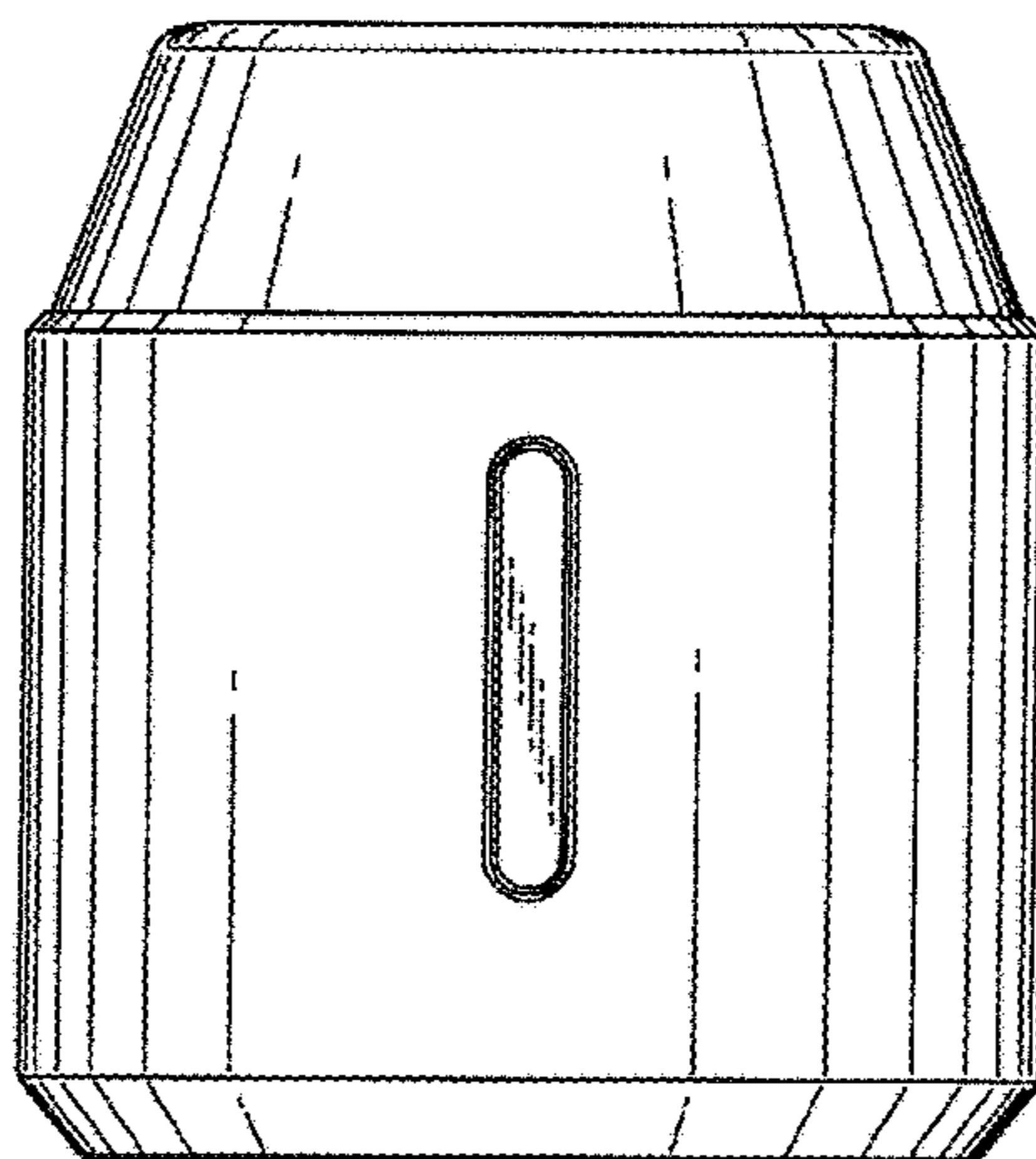


FIG.10

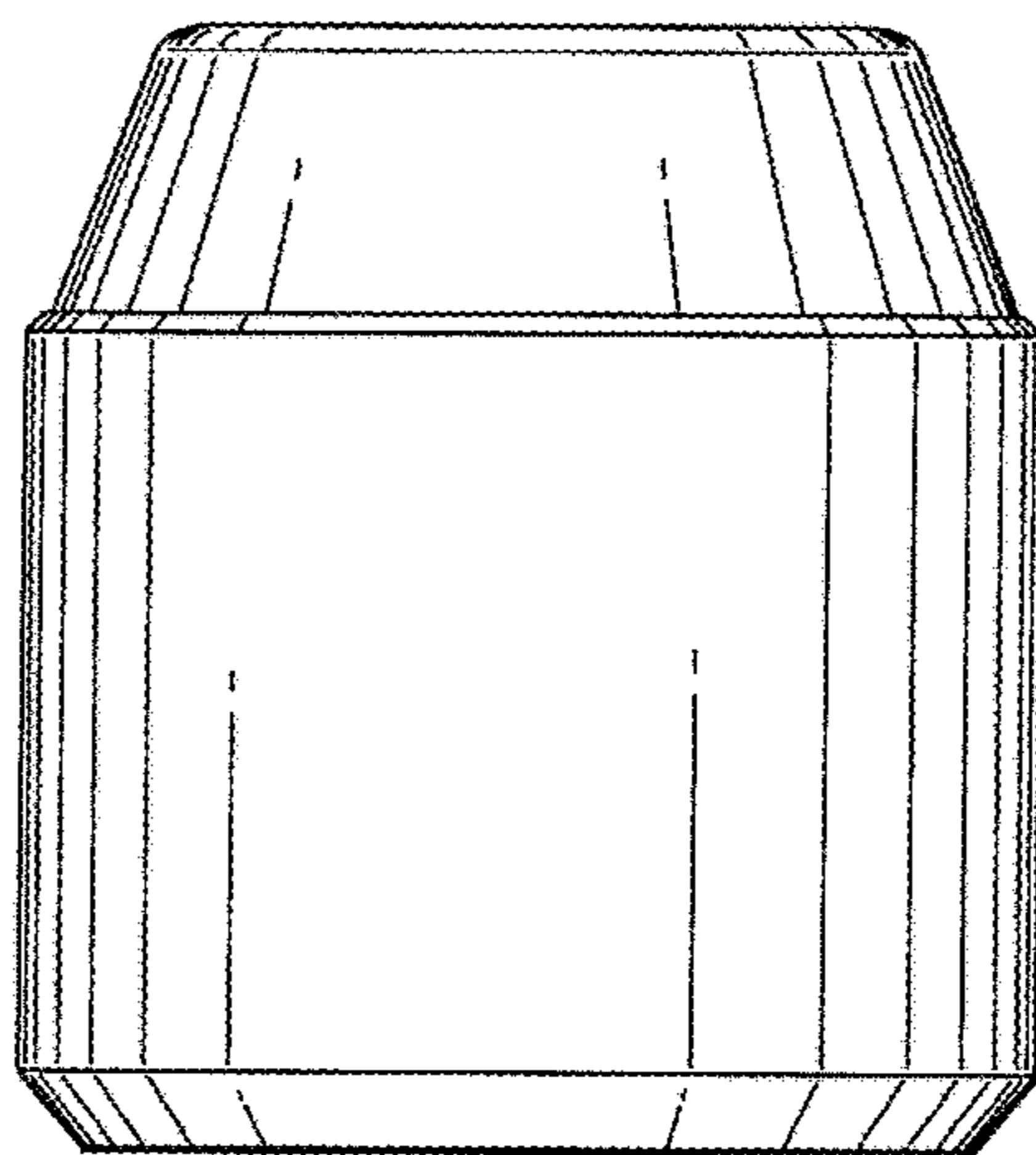


FIG.11

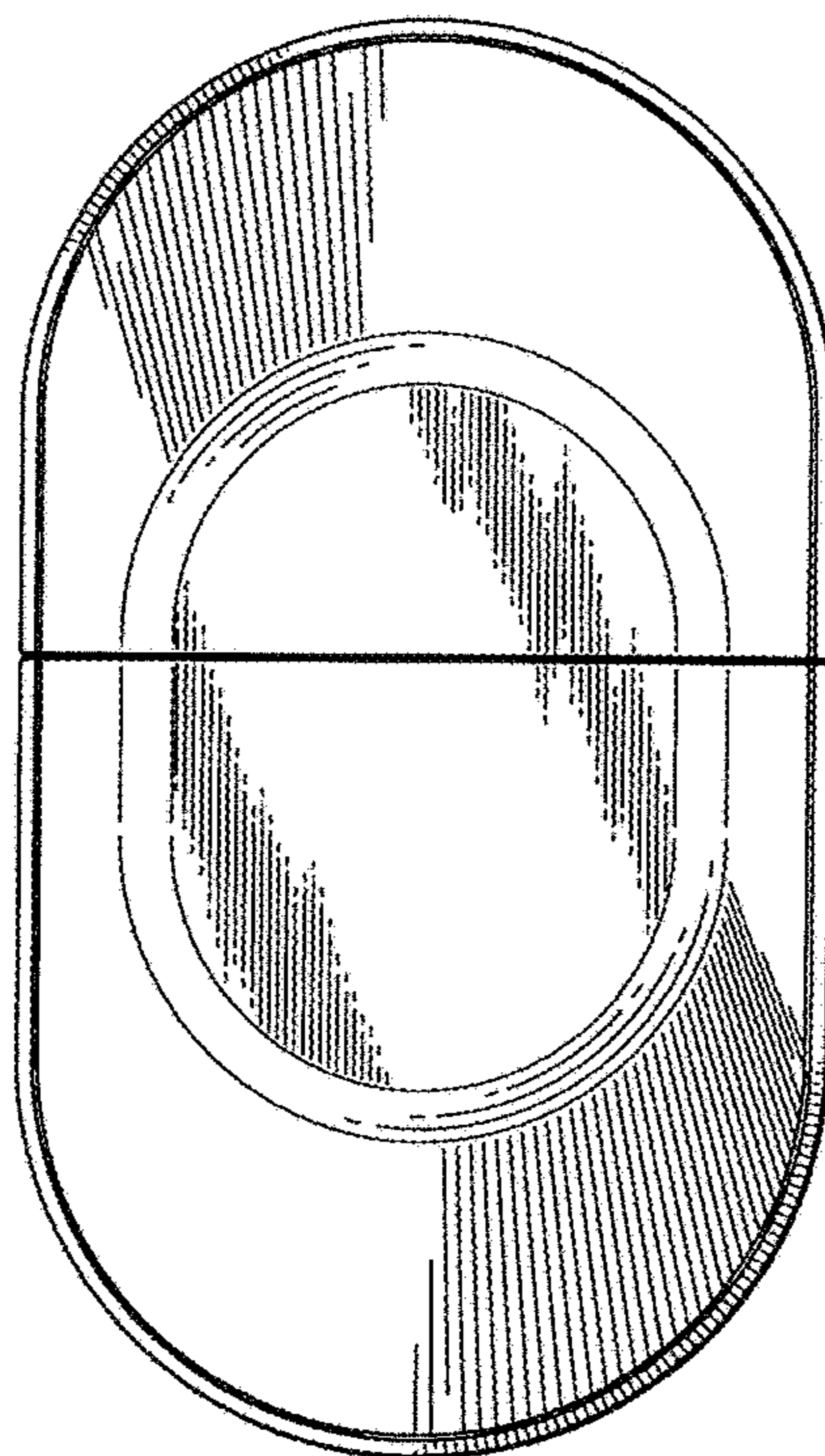


FIG.12

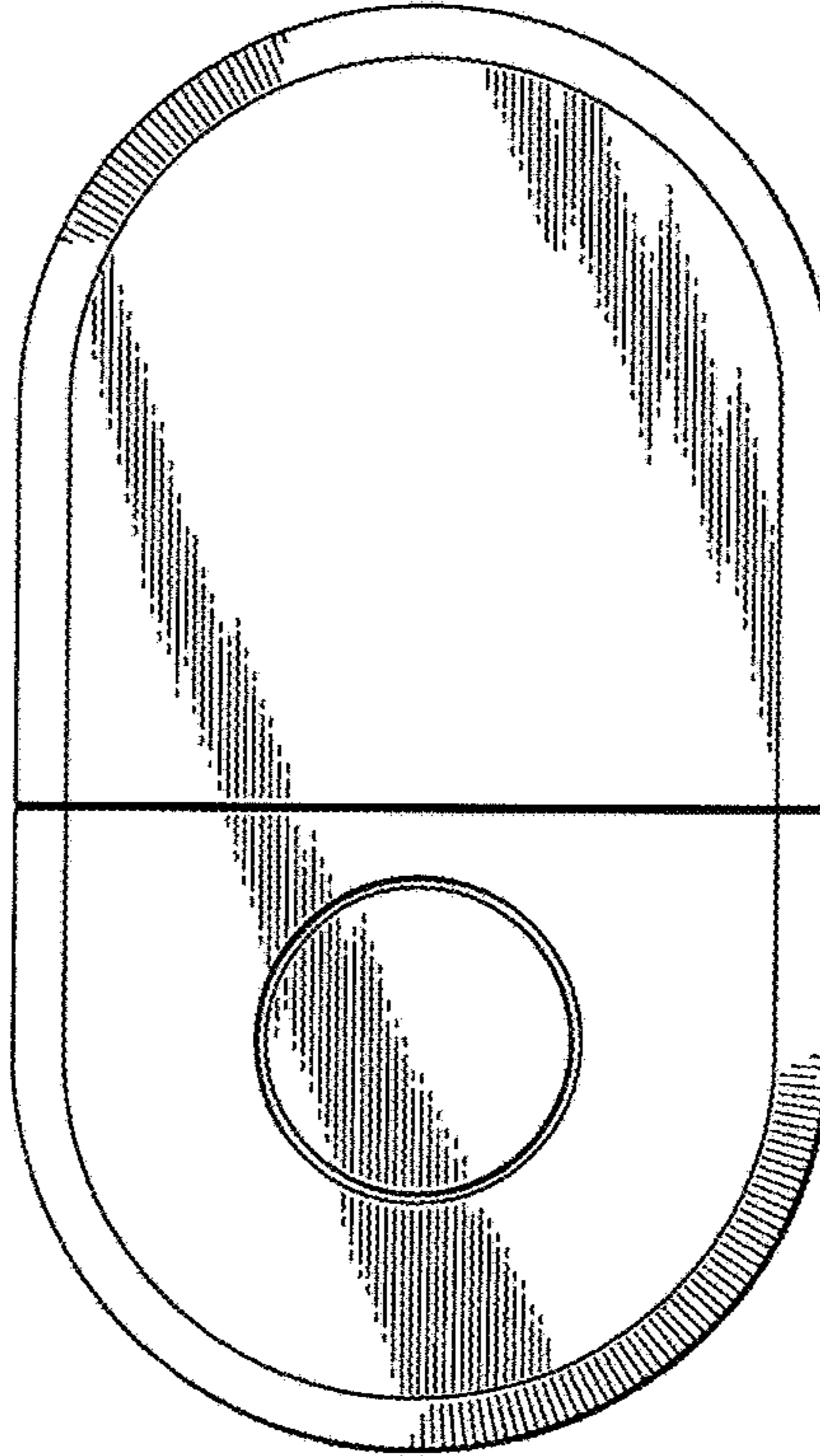


FIG.13

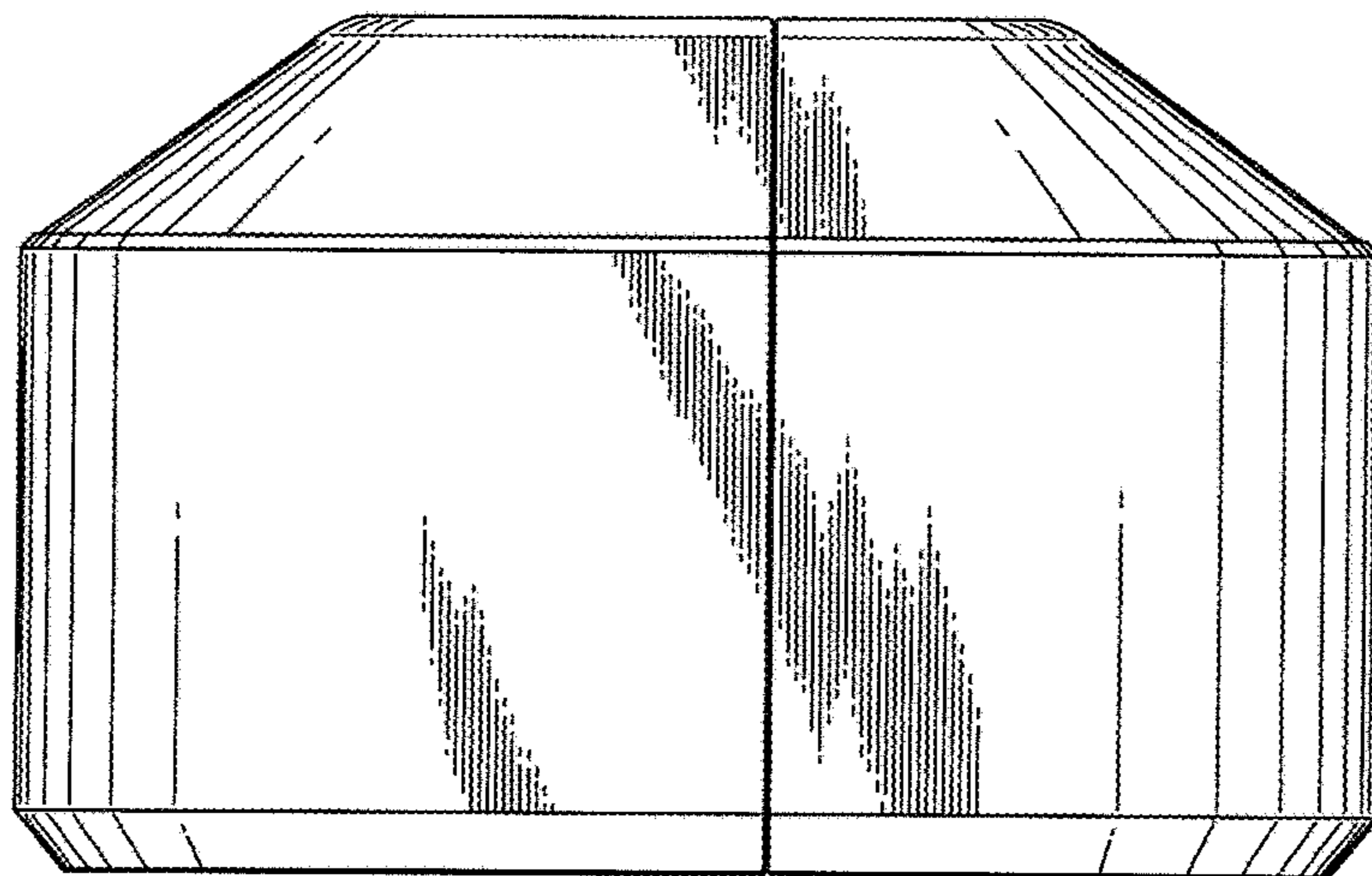


FIG.14

