



US00D788617S

(12) **United States Design Patent** (10) **Patent No.:** **US D788,617 S**
Barton et al. (45) **Date of Patent:** **** Jun. 6, 2017**

- (54) **DIAGNOSTIC ANALYZER**
- (71) Applicant: **Abbott Laboratories**, Abbott Park, IL (US)
- (72) Inventors: **Christina A. Barton**, Irving, TX (US); **Rachel Elizabeth Wallace**, Madison, WI (US); **Ami Marie Verhalen**, Sun Prairie, WI (US); **Daniel Roger Nett**, Sun Prairie, WI (US)
- (73) Assignee: **ABBOTT LABORATORIES**, Abbott Park, IL (US)
- (**) Term: **15 Years**
- (21) Appl. No.: **29/505,590**
- (22) Filed: **Dec. 23, 2015**
- (51) **LOC (10) Cl.** **10-04**
- (52) **U.S. Cl.**
USPC **D10/81; D24/216**
- (58) **Field of Classification Search**
USPC D10/81; D24/216, 219, 232, 233, 234, D24/107, 169, 185, 217, 218
CPC G01N 21/00; G01N 21/01; G01N 2021/0106; G01N 2201/022; G01N 2201/0221; G01N 2201/0222; G01N 2201/0224; G01N 2201/0225; G01N 2201/0227; G01N 2201/0228; G01N 2201/024; G01N 2201/0245; G01N 2021/0112–21/958
See application file for complete search history.

- D676,568 S 2/2013 Liu et al.
- D715,456 S 10/2014 Oonuma et al.
- D716,966 S 11/2014 Lizari Illarramendi
- D721,820 S * 1/2015 Oonuma D24/216
- D724,753 S 3/2015 Gutmann et al.
- D728,124 S 4/2015 Oonuma et al.
- D729,399 S * 5/2015 Oonuma D24/216

(Continued)

OTHER PUBLICATIONS

Notice for Reasons for Rejection, English Language, issued by the Intellectual Property Office of Japan, in connection with Japanese application No. 2015-28871, on Jun. 14, 2016, 5 pages.

(Continued)

Primary Examiner — Antoine D Davis

(74) *Attorney, Agent, or Firm* — Hanley, Flight & Zimmerman, LLC

(57) **CLAIM**

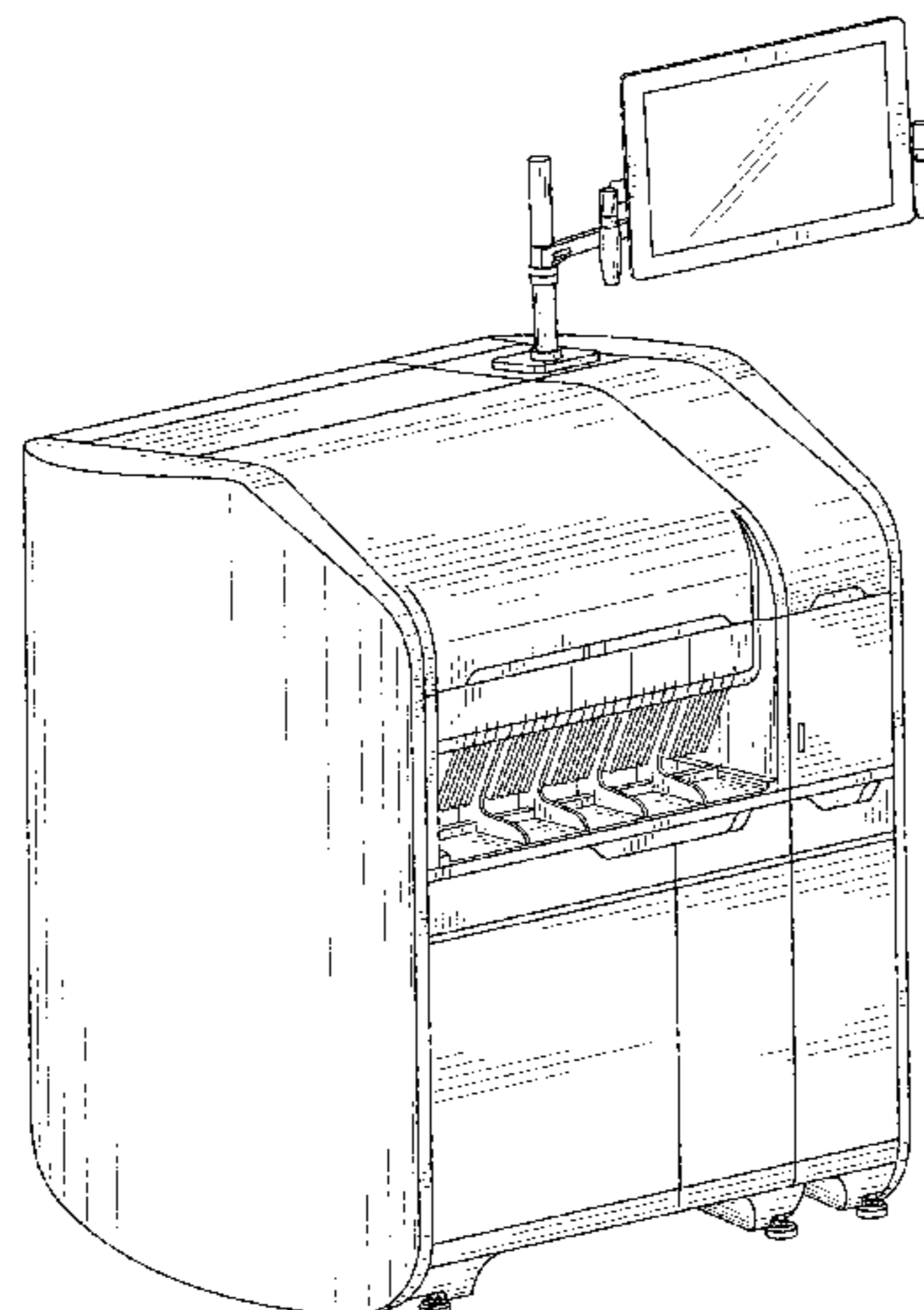
The ornamental design for a “diagnostic analyzer,” as shown and described.

DESCRIPTION

FIG. 1 is a front left perspective view of a diagnostic analyzer.
 FIG. 2 is a front view of the analyzer of FIG. 1.
 FIG. 3 is a rear view of the analyzer of FIG. 1.
 FIG. 4 is a right side view of the analyzer of FIG. 1.
 FIG. 5 is a left side view of the analyzer of FIG. 1.
 FIG. 6 is a top view of the analyzer of FIG. 1.
 FIG. 7 is a bottom view of the analyzer of FIG. 1.
 FIG. 8 is a front left perspective view of a diagnostic analyzer.
 FIG. 9 is a front view of the analyzer of FIG. 8.
 FIG. 10 is a rear view of the analyzer of FIG. 8.
 FIG. 11 is a right side view of the analyzer of FIG. 8.
 FIG. 12 is a left side view of the analyzer of FIG. 8.
 FIG. 13 is a top view of the analyzer of FIG. 8; and,
 FIG. 14 is a bottom view of the analyzer of FIG. 8.

1 Claim, 14 Drawing Sheets

- (56) **References Cited**
U.S. PATENT DOCUMENTS
D319,307 S 8/1991 Sakagami et al.
D346,027 S 4/1994 Kobayashi
D351,025 S 9/1994 Yamashita et al.
D354,354 S 1/1995 Yamashita et al.
6,521,183 B1 2/2003 Burri et al.
D662,431 S 6/2012 Kimura
D672,471 S 12/2012 Franco et al.



(56)

References Cited

U.S. PATENT DOCUMENTS

D736,402 S *	8/2015	Gutmann	D24/216
2002/0169518 A1	11/2002	Luoma, II et al.	
2013/0034466 A1	2/2013	Wakamiya et al.	
2013/0288355 A1	10/2013	DeWitte et al.	
2015/0140577 A1	5/2015	Li et al.	
2015/0276566 A1	10/2015	Berntsen et al.	

OTHER PUBLICATIONS

Japanese Patent Office, "Notice of Reason for Rejection," issued in connection with Japanese Design Application No. 2016-1034, mailed Sep. 6, 2016, 5 pages.

State Intellectual Property Office of China, "First Office Action," issued in connection with Chinese Patent Application No. 201530555269.1, dated Oct. 9, 2016, 3 pages.

Japanese Patent Office, "Notice of Reason for Rejection," issued in connection with Japanese Design Application No. 2016-22301, mailed Nov. 8, 2016, 4 pages.

Notification of First Corrections, issued by the State Intellectual Property Office of the P.R. China, in connection with Chinese Patent Application No. 201530555269.1, on Apr. 25, 2016, 4 pages.

Notification of the Registration of the Community Designs, issued by the Office for Harmonization in The Internal Market, in connection with European Community Design Nos. 002930230-0001 through 002930230-0029, on Mar. 17, 2016, 6 pages.

Notification of the Registration of the Community Designs, issued by the European Union Intellectual Property Office, in connection with European Community Design Nos. 003003631-0001 through 003003631-0014, on Apr. 28, 2016, 5 pages.

United States Patent and Trademark Office, "Restriction and/or election requirement," issued in connection with U.S. Appl. No. 29/531,603, dated Mar. 6, 2017, 32 pages.

* cited by examiner

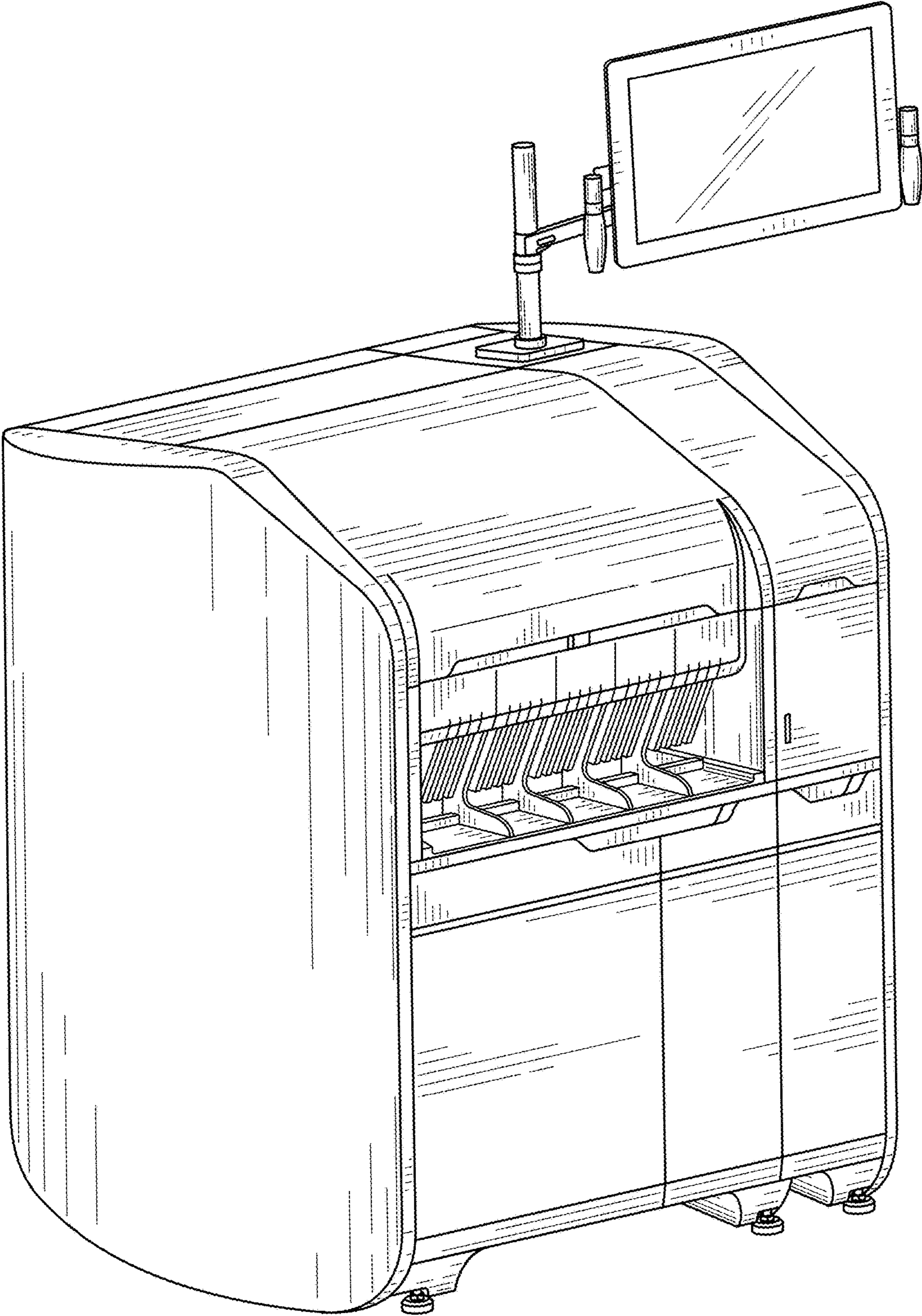


FIG. 1

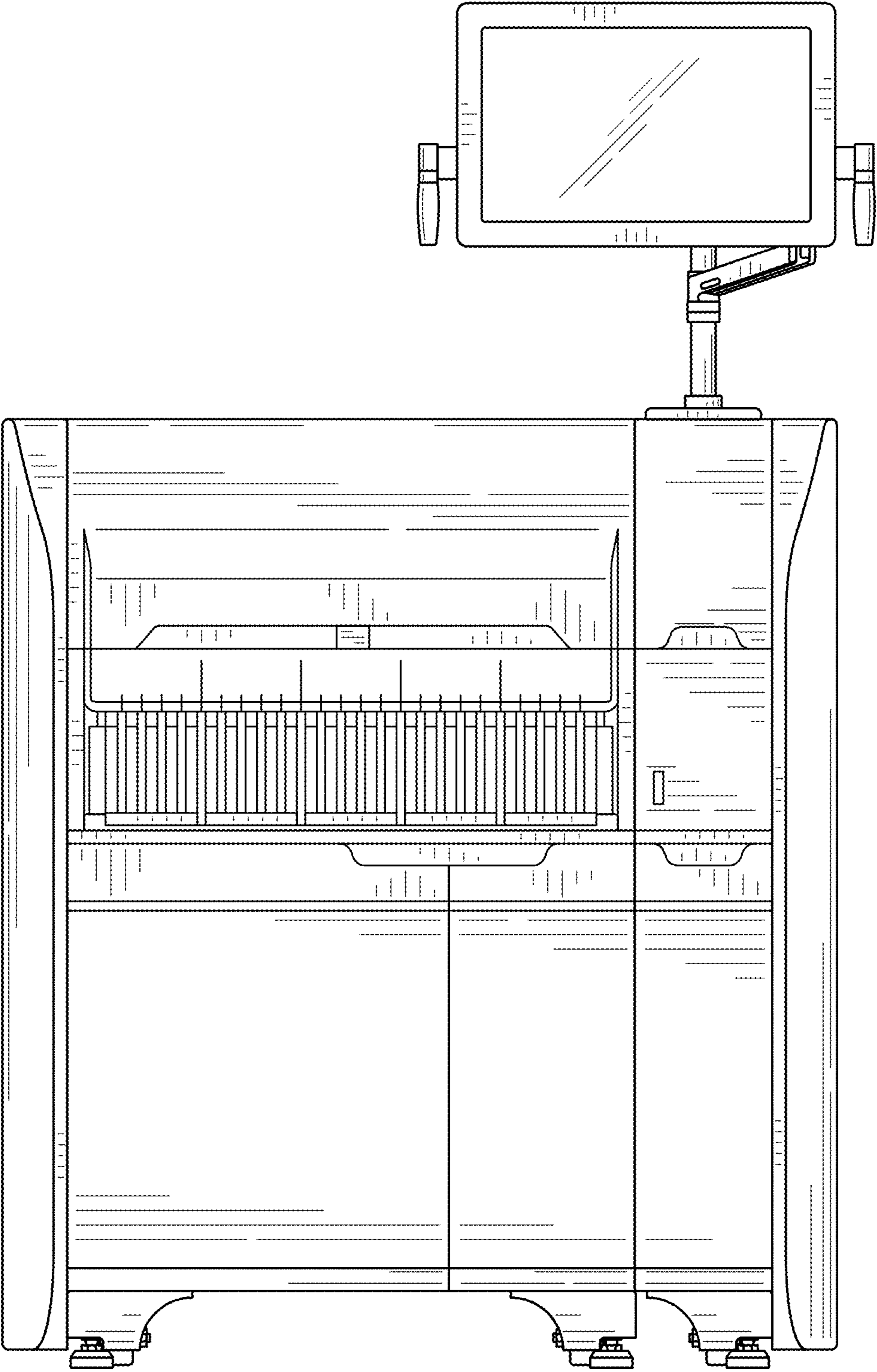


FIG. 2

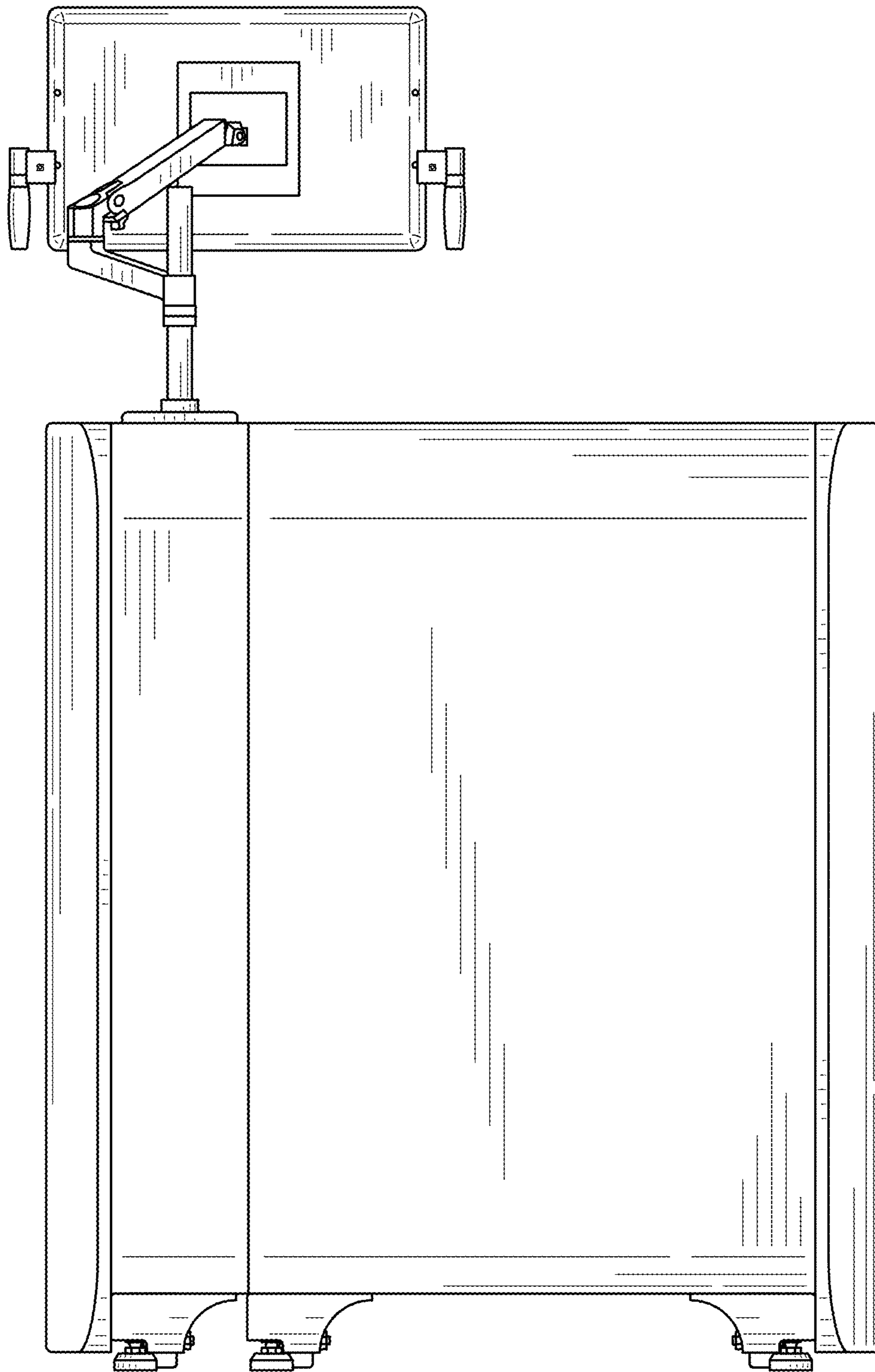


FIG. 3

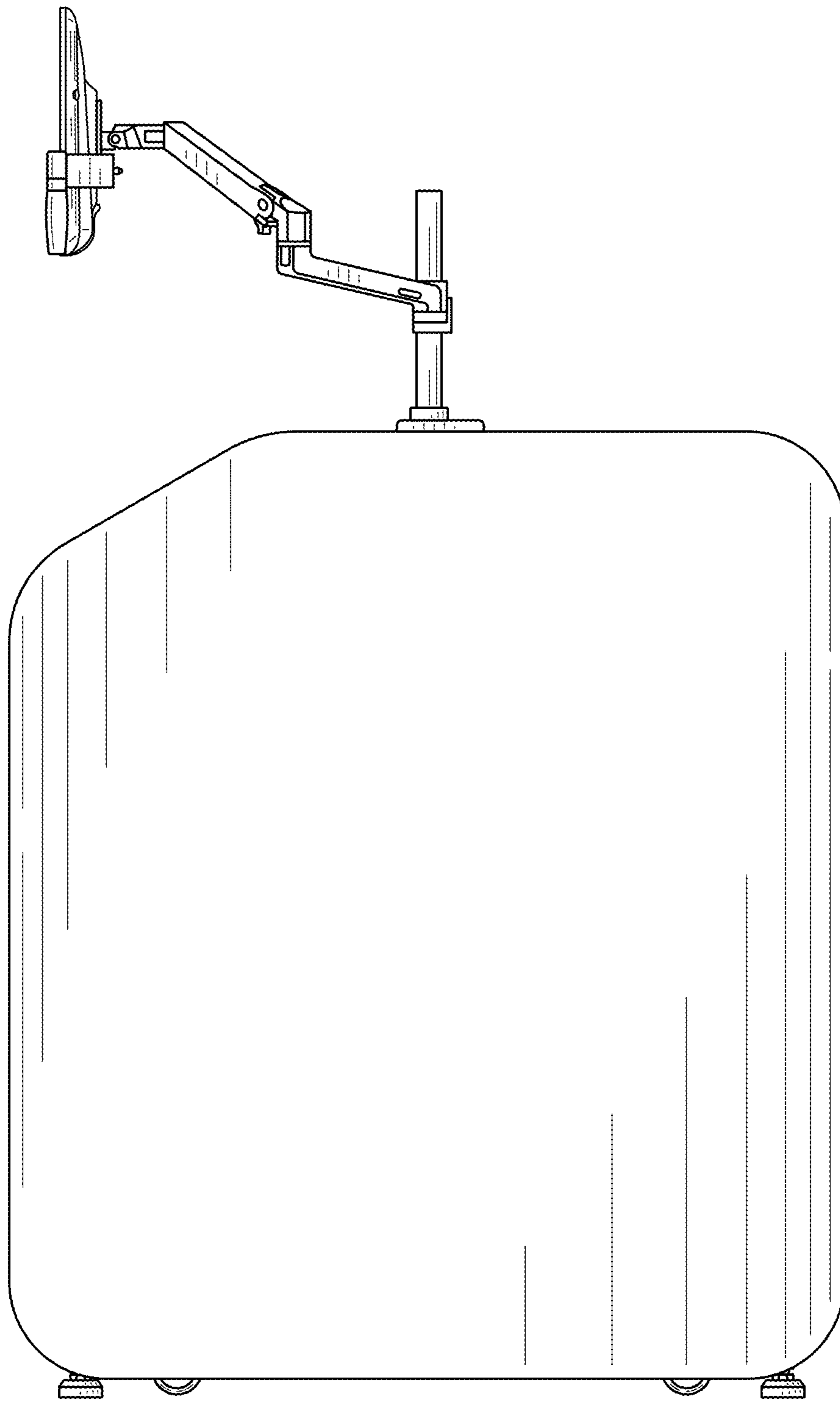


FIG. 4

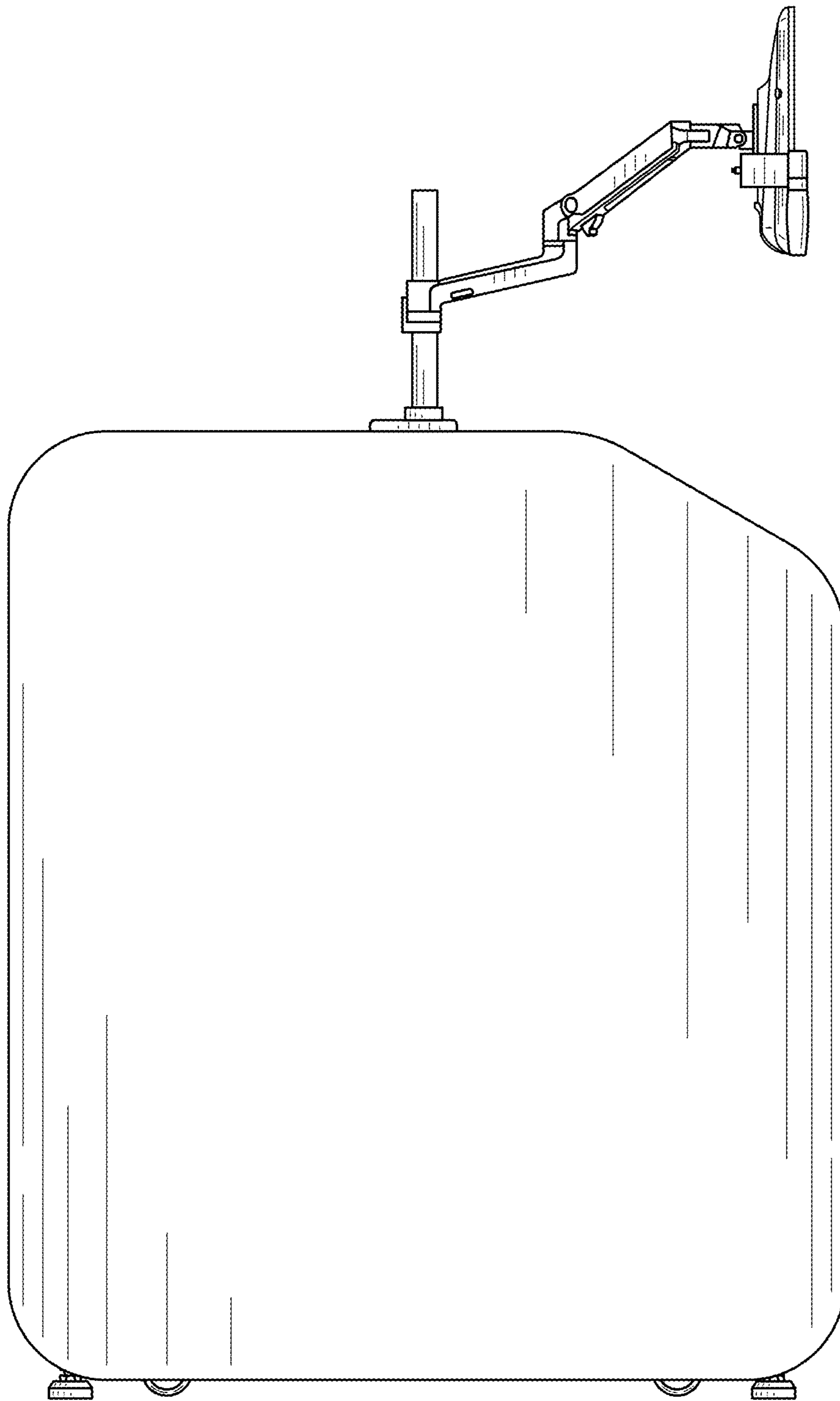


FIG. 5

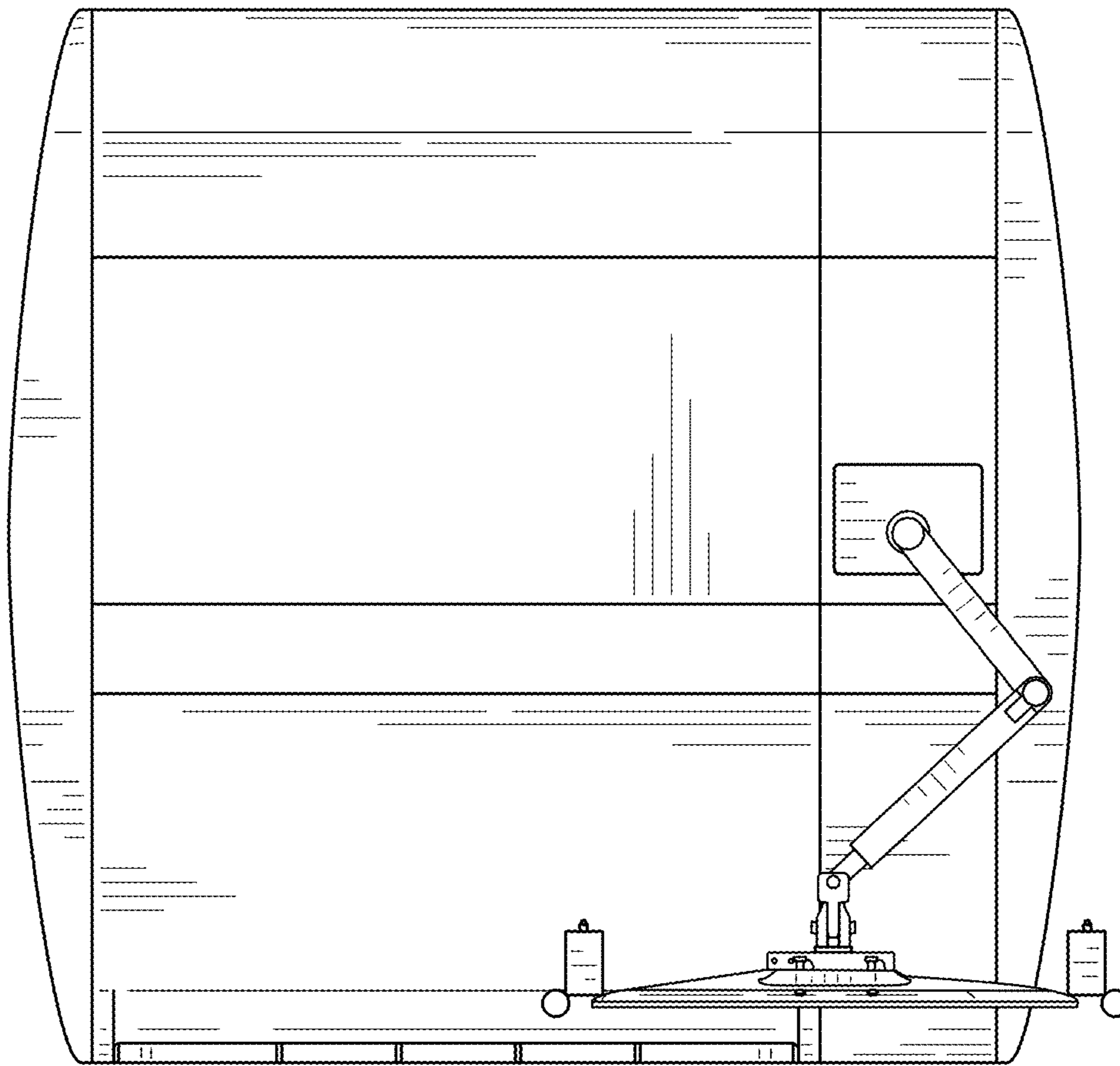


FIG. 6

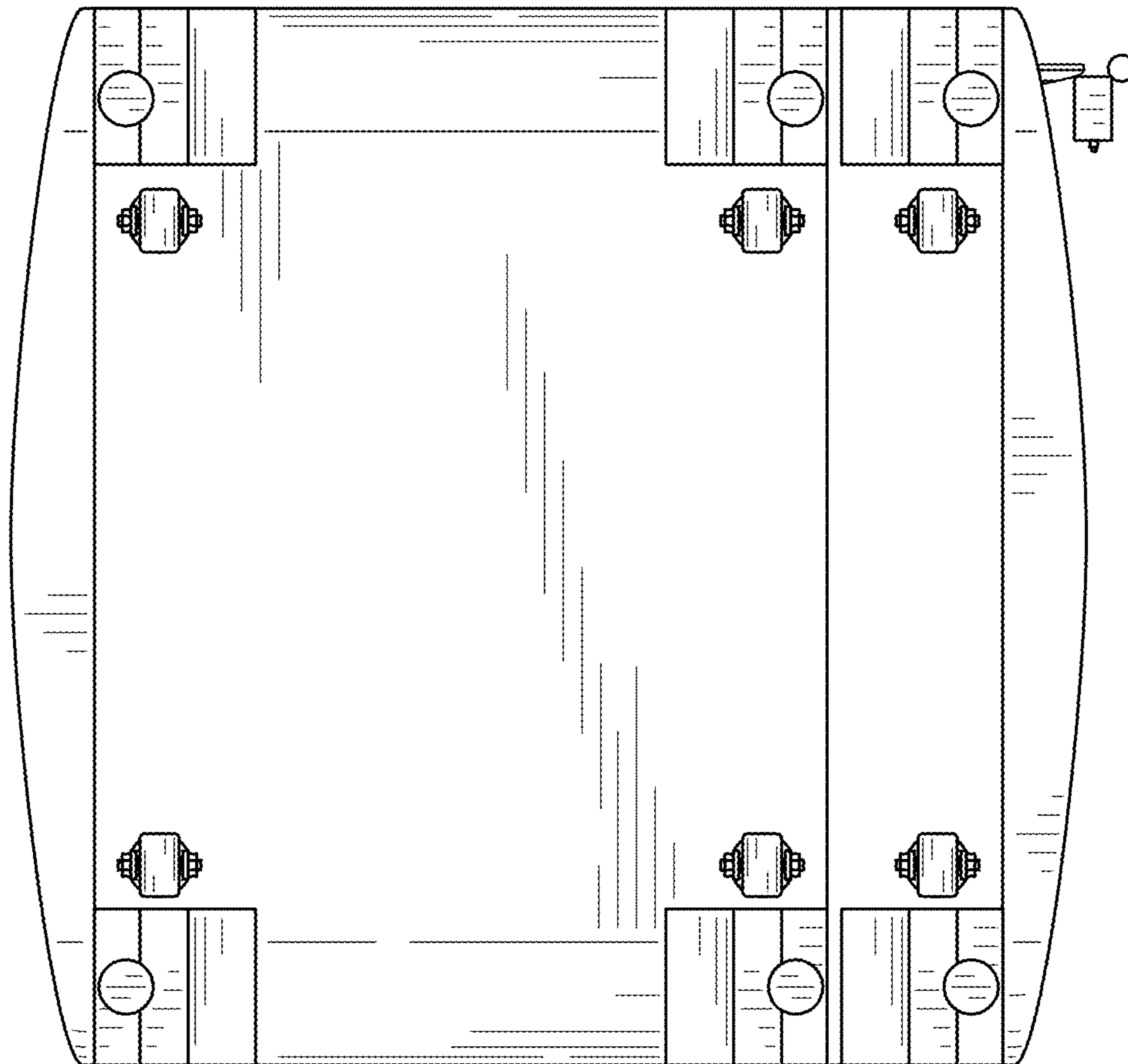


FIG. 7

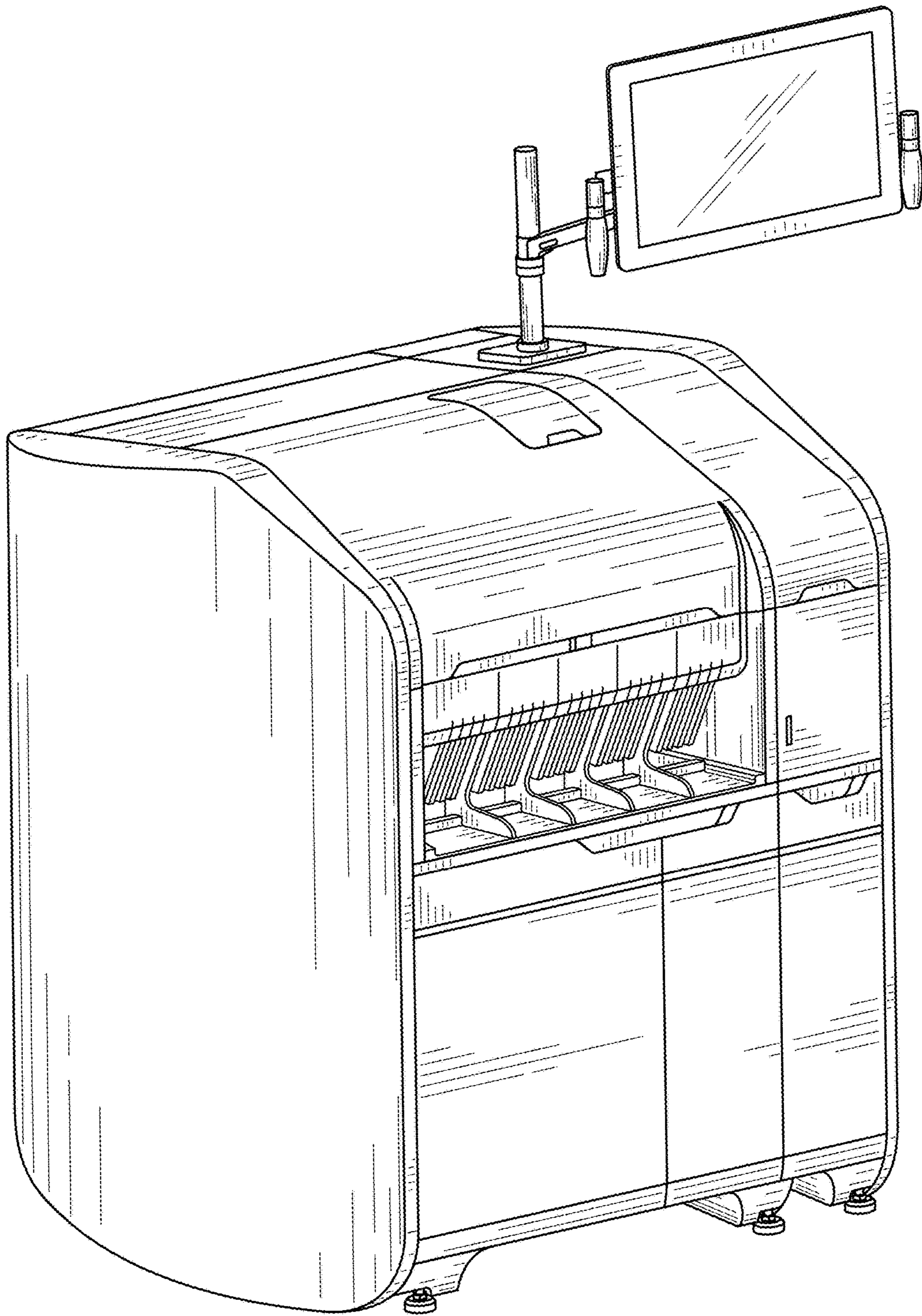


FIG. 8

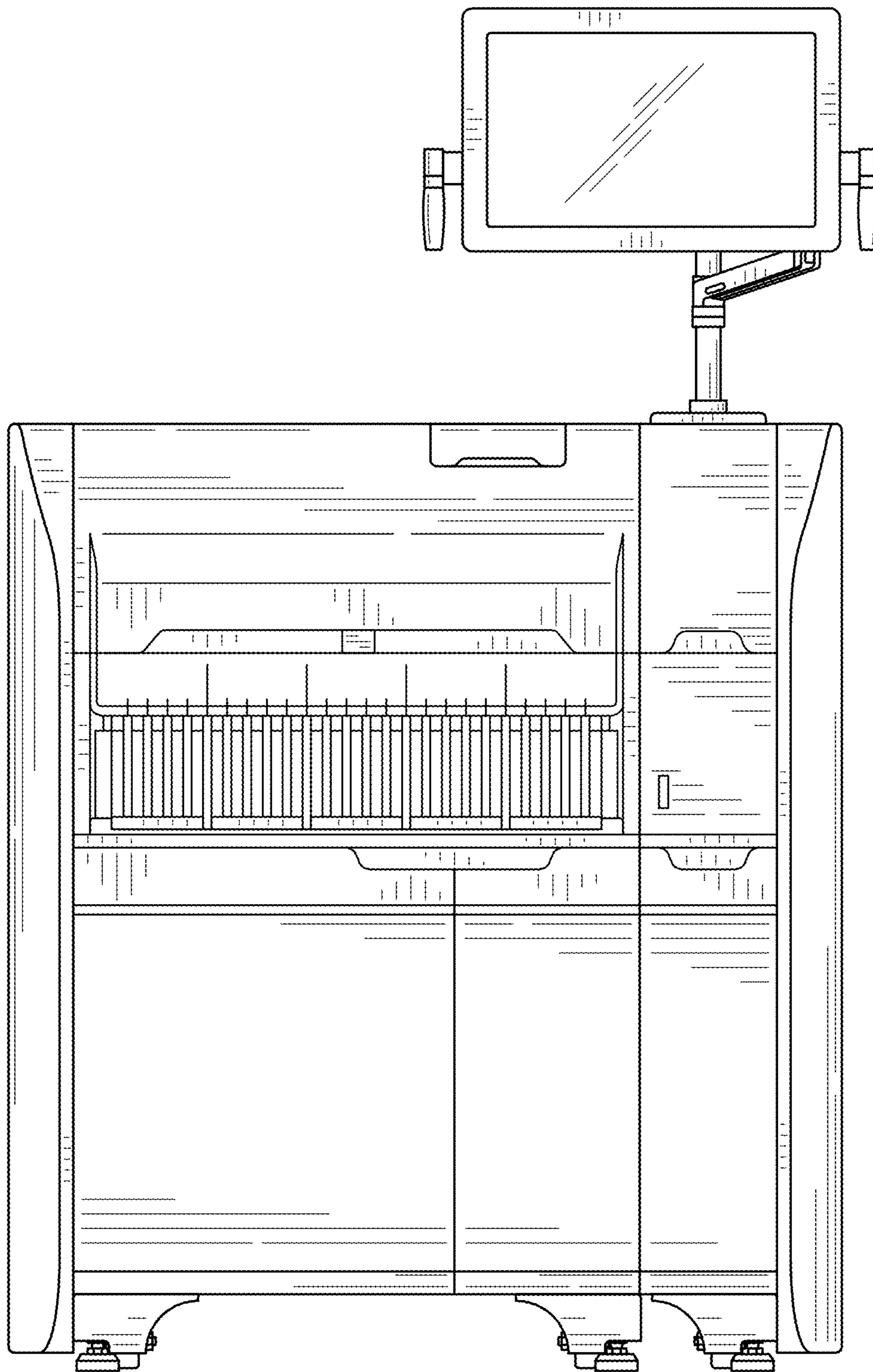


FIG. 9

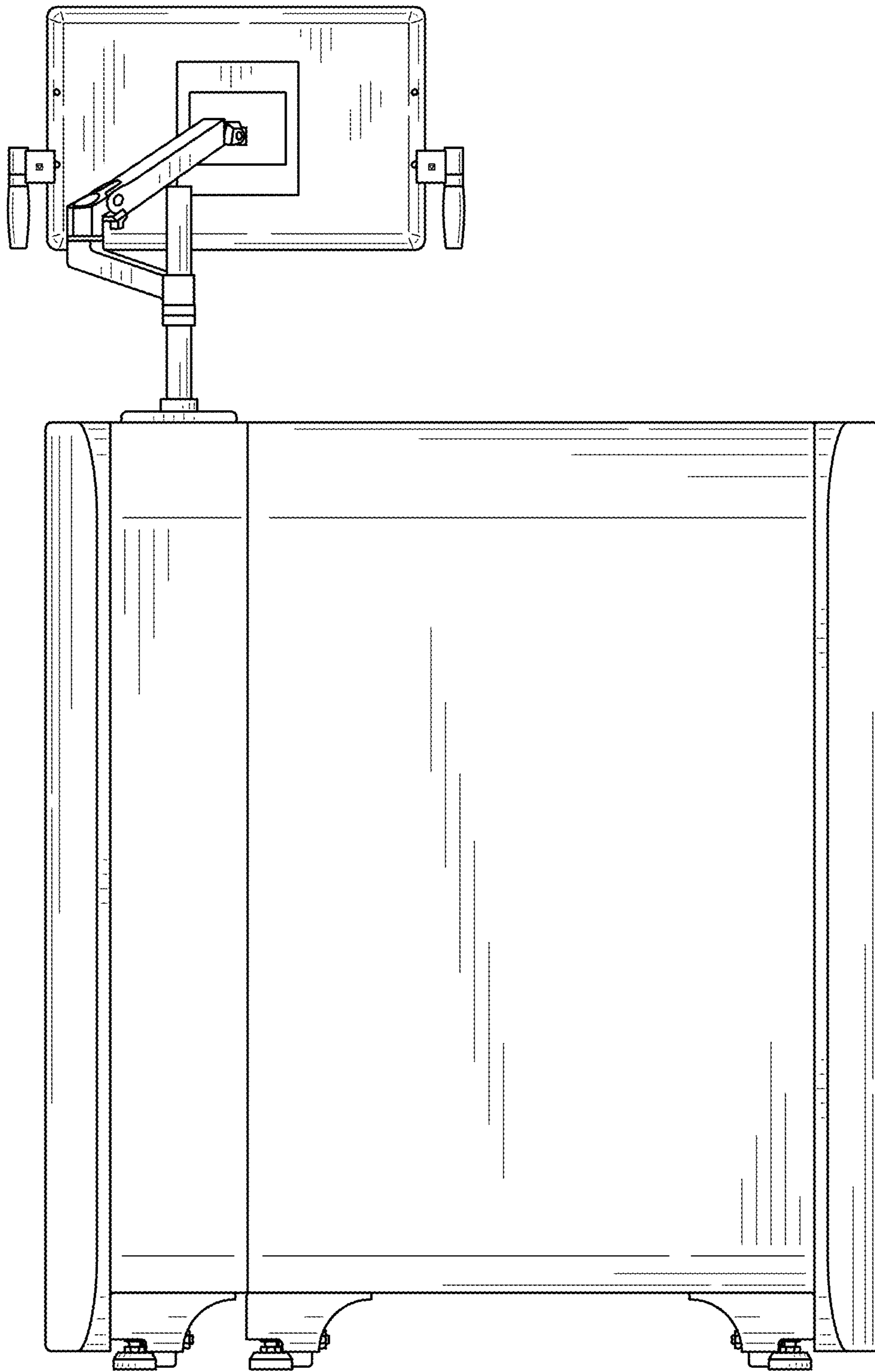


FIG. 10

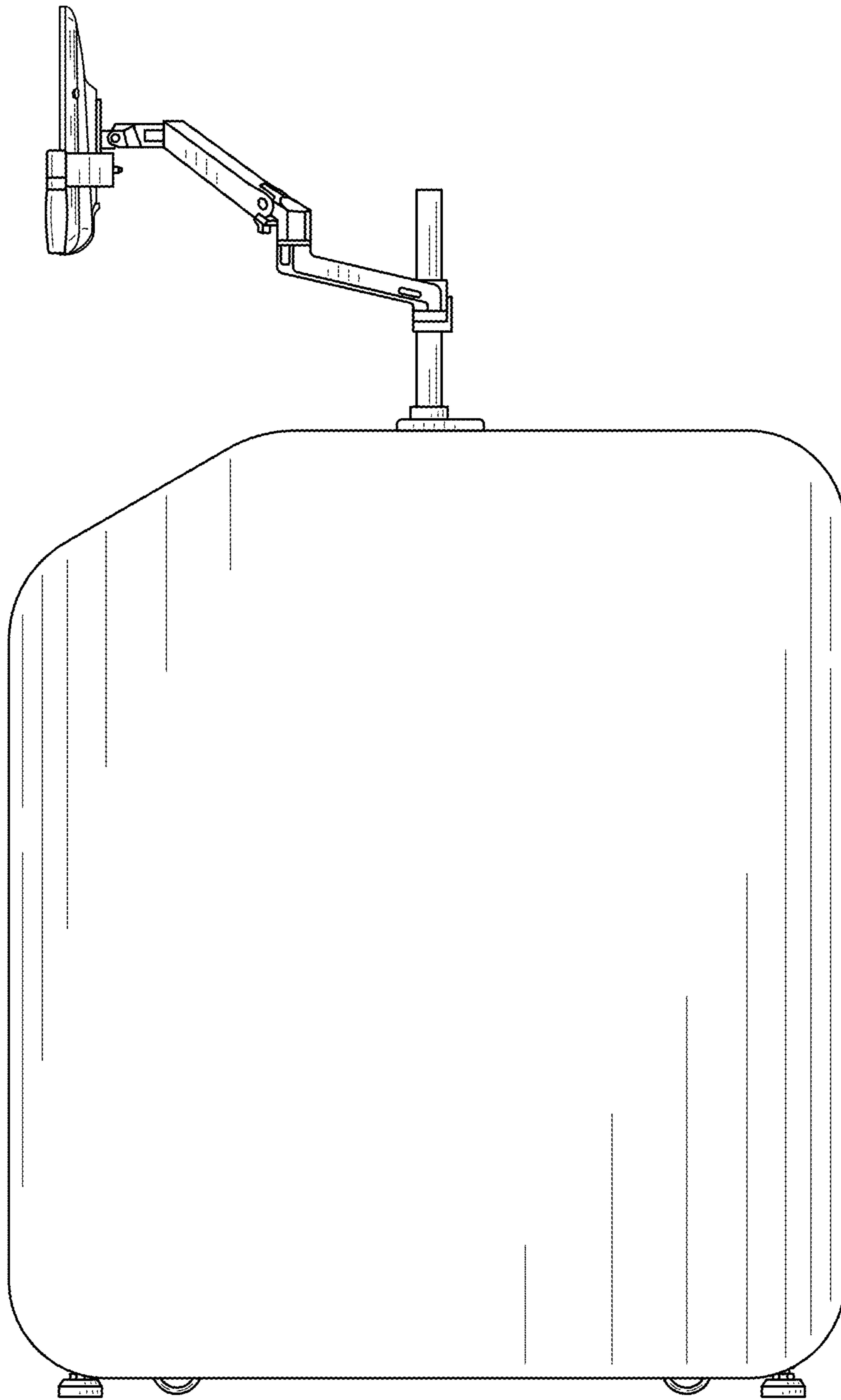


FIG. 11

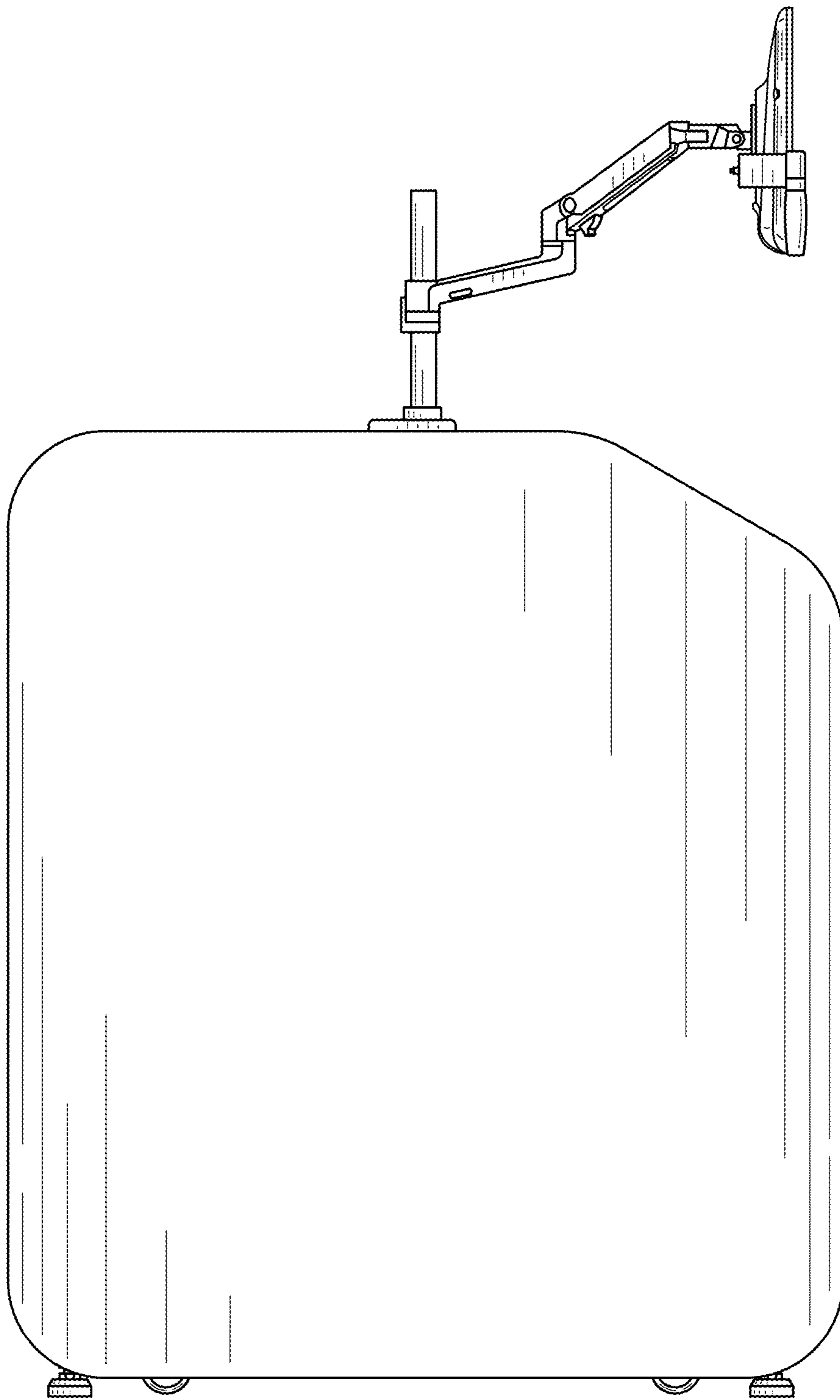


FIG. 12

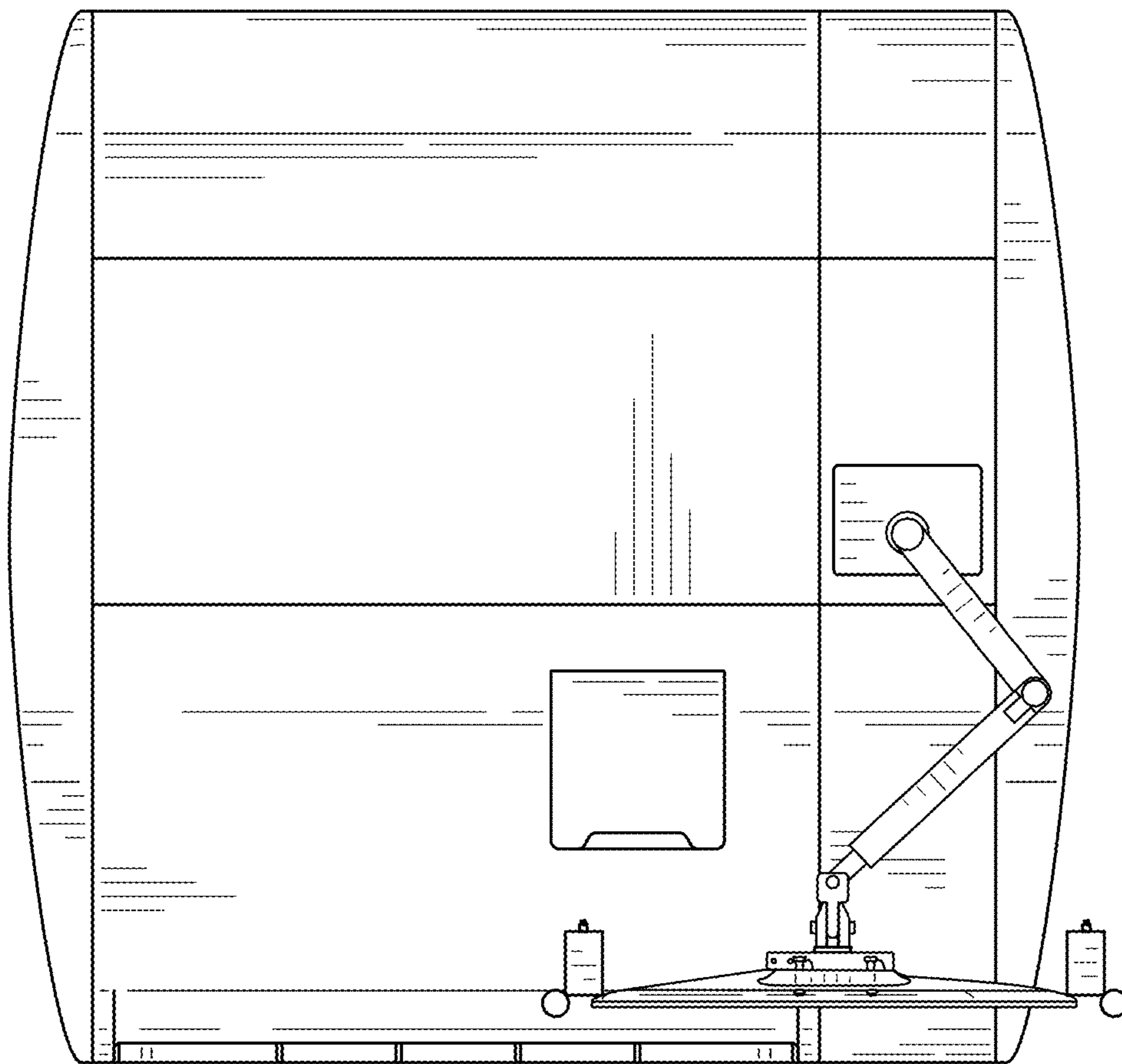


FIG. 13

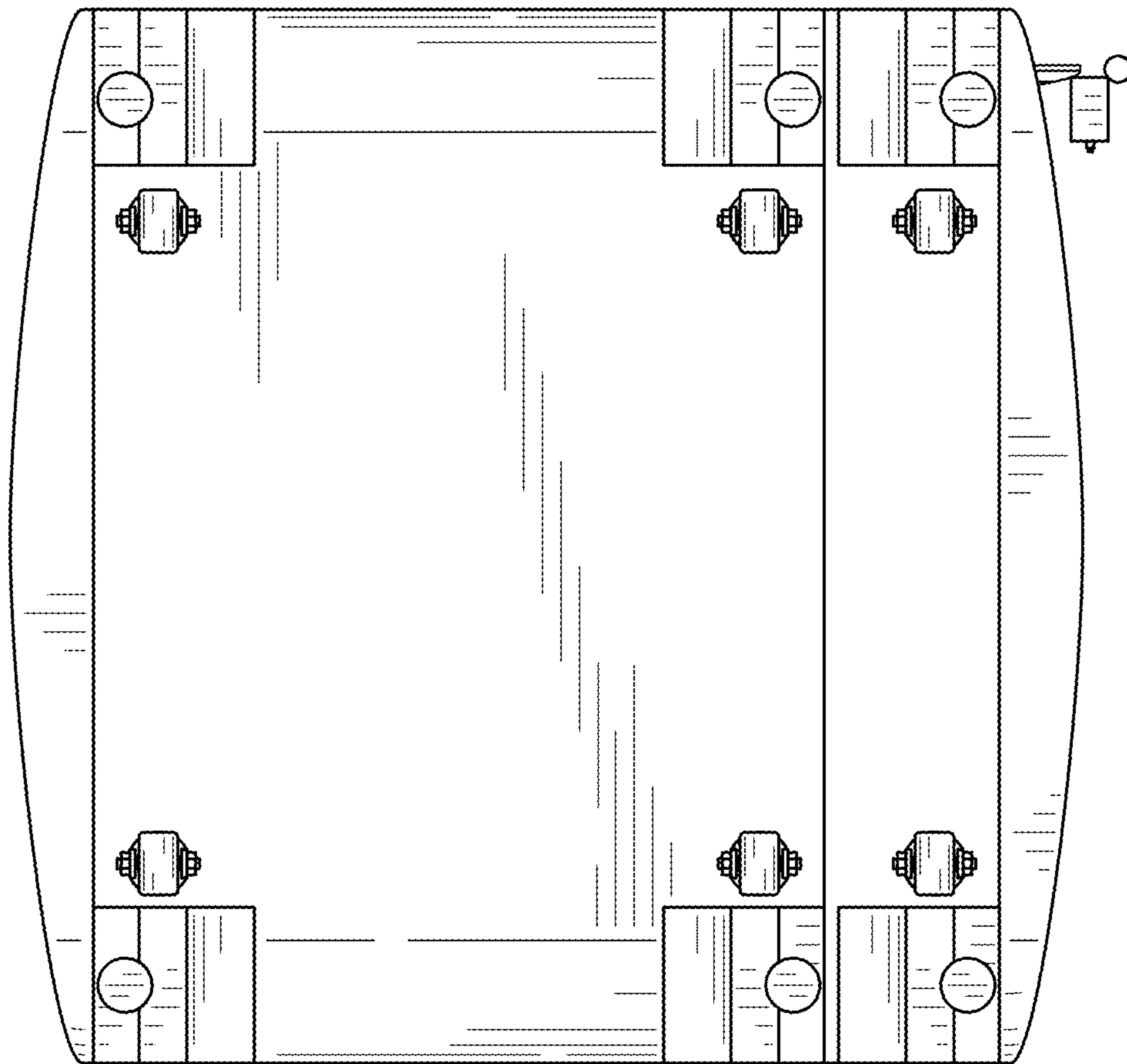


FIG. 14