



US00D788614S

(12) **United States Design Patent** (10) **Patent No.:** **US D788,614 S**
Hashimoto et al. (45) **Date of Patent:** **** Jun. 6, 2017**

- (54) **PROBE FOR PHOTOACOUSTIC MEASUREMENT DEVICE**
- (71) Applicant: **FUJIFILM Corporation**, Tokyo (JP)
- (72) Inventors: **Atsushi Hashimoto**, Kanagawa-ken (JP); **Kaku Irisawa**, Kanagawa-ken (JP)
- (73) Assignee: **FUJIFILM Corporation**, Tokyo (JP)
- (**) Term: **15 Years**
- (21) Appl. No.: **29/561,286**
- (22) Filed: **Apr. 14, 2016**

Related U.S. Application Data

- (62) Division of application No. 29/513,919, filed on Jan. 6, 2015, now Pat. No. Des. 756,818.

Foreign Application Priority Data

- (30) Jul. 10, 2014 (JP) 015081/2014
- Jul. 10, 2014 (JP) 015082/2014
- Jul. 10, 2014 (JP) 015083/2014
- Jul. 10, 2014 (JP) 015084/2014
- Jul. 10, 2014 (JP) 015085/2014
- (51) **LOC (10) Cl.** **10-04**
- (52) **U.S. Cl.**
USPC **D10/78; D24/187**
- (58) **Field of Classification Search**
USPC D10/78, 80; D13/133, 146, 147;
D24/133, 138, 140, 158, 186, 187
CPC ... A61B 5/0059; A61B 5/0093; A61B 5/0095;
A61B 5/0097; A61B 8/44; A61B 8/4444;
A61B 8/445; A61B 8/4455; A61B
8/4461; A61B 8/4466; A61B 8/4472;
G01N 2201/067; G01N 21/1702
See application file for complete search history.

- (56) **References Cited**
U.S. PATENT DOCUMENTS
D381,921 S 8/1997 Siemon
D703,819 S 4/2014 Moon
D704,341 S 5/2014 Ryu
D710,511 S 8/2014 Bartlett
9,427,209 B2* 8/2016 Okuda A61B 8/4444
9,445,785 B2* 9/2016 Clingman A61B 8/46
(Continued)

FOREIGN PATENT DOCUMENTS

- JP 2013-048892 A 3/2013
- JP 2014-039801 A 3/2014
- (Continued)

Primary Examiner — Antoine D Davis
(74) *Attorney, Agent, or Firm* — McGinn IP Law Group, PLLC

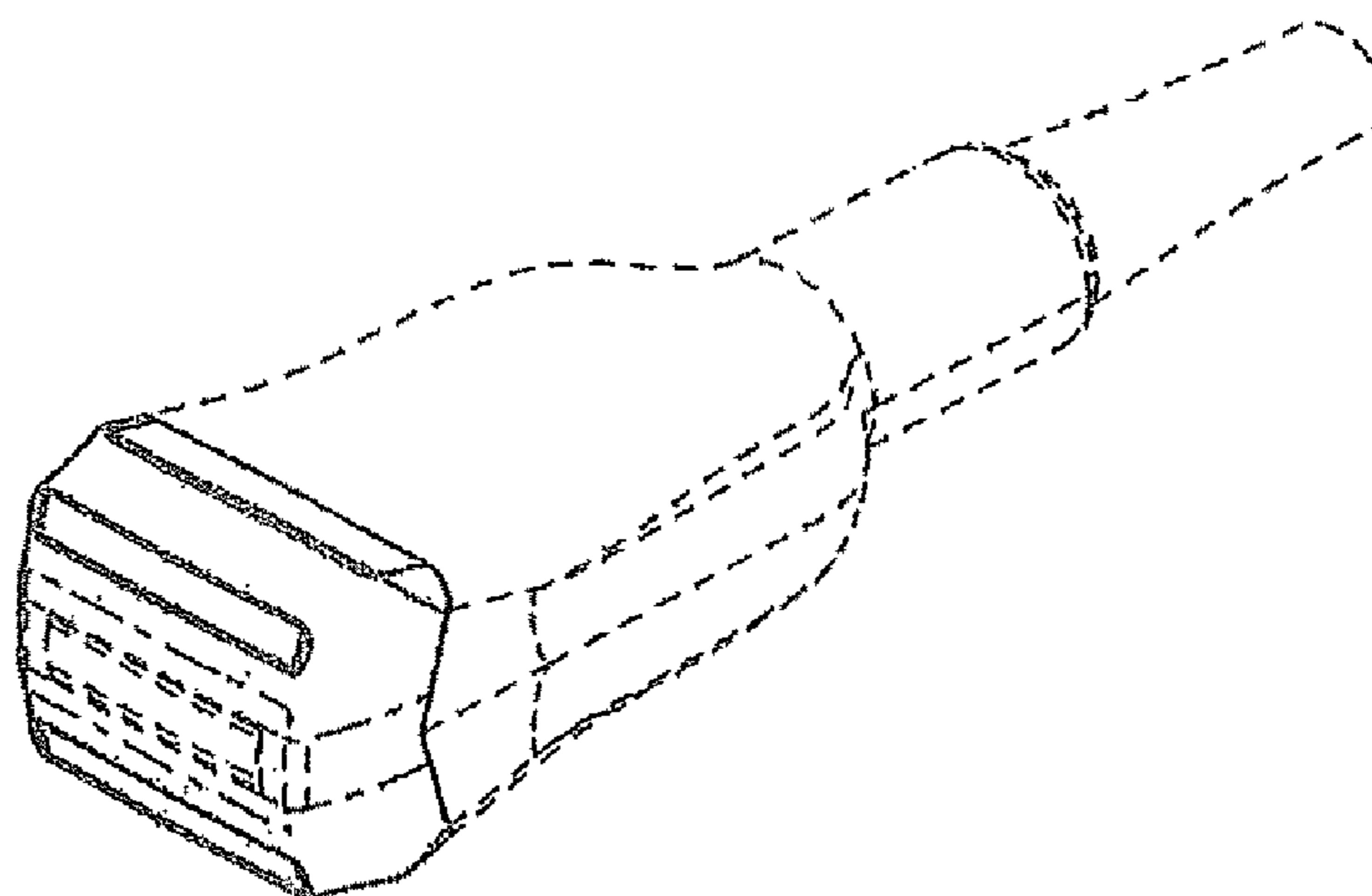
(57) **CLAIM**

The ornamental design for a probe for photoacoustic measurement device, as shown and described.

DESCRIPTION

FIG. 1 is a top, front, right perspective view of a probe for photoacoustic measurement device showing our new design; FIG. 2 is a front view thereof; FIG. 3 is a rear view thereof; FIG. 4 is a right side view thereof; FIG. 5 is a top view thereof; FIG. 6 is a cross-sectional view thereof taken along the line A-A of FIG. 5; and, FIG. 7 is a top, partially enlarged view thereof. The broken lines showing the remainder of the probe for photoacoustic measurement device are for environmental purposes only and form no part of the claimed design.

1 Claim, 2 Drawing Sheets



(56)

References Cited

U.S. PATENT DOCUMENTS

2011/0125025	A1	5/2011	Hart
2011/0224553	A1	9/2011	Stothers
2013/0258803	A1	10/2013	Nakamura
2014/0058270	A1	2/2014	Dauidsen
2014/0200445	A1	7/2014	Boezaart
2014/0221841	A1	8/2014	Okuda
2015/0045673	A1	2/2015	Kim
2015/0157295	A1	6/2015	Liu
2015/0245823	A1	9/2015	Jin
2015/0297090	A1	10/2015	Herzog

FOREIGN PATENT DOCUMENTS

JP	2014-068751	A	4/2014
WO	WO 2014/017044	A1	1/2014
WO	WO 2014/050436	A1	4/2014

* cited by examiner

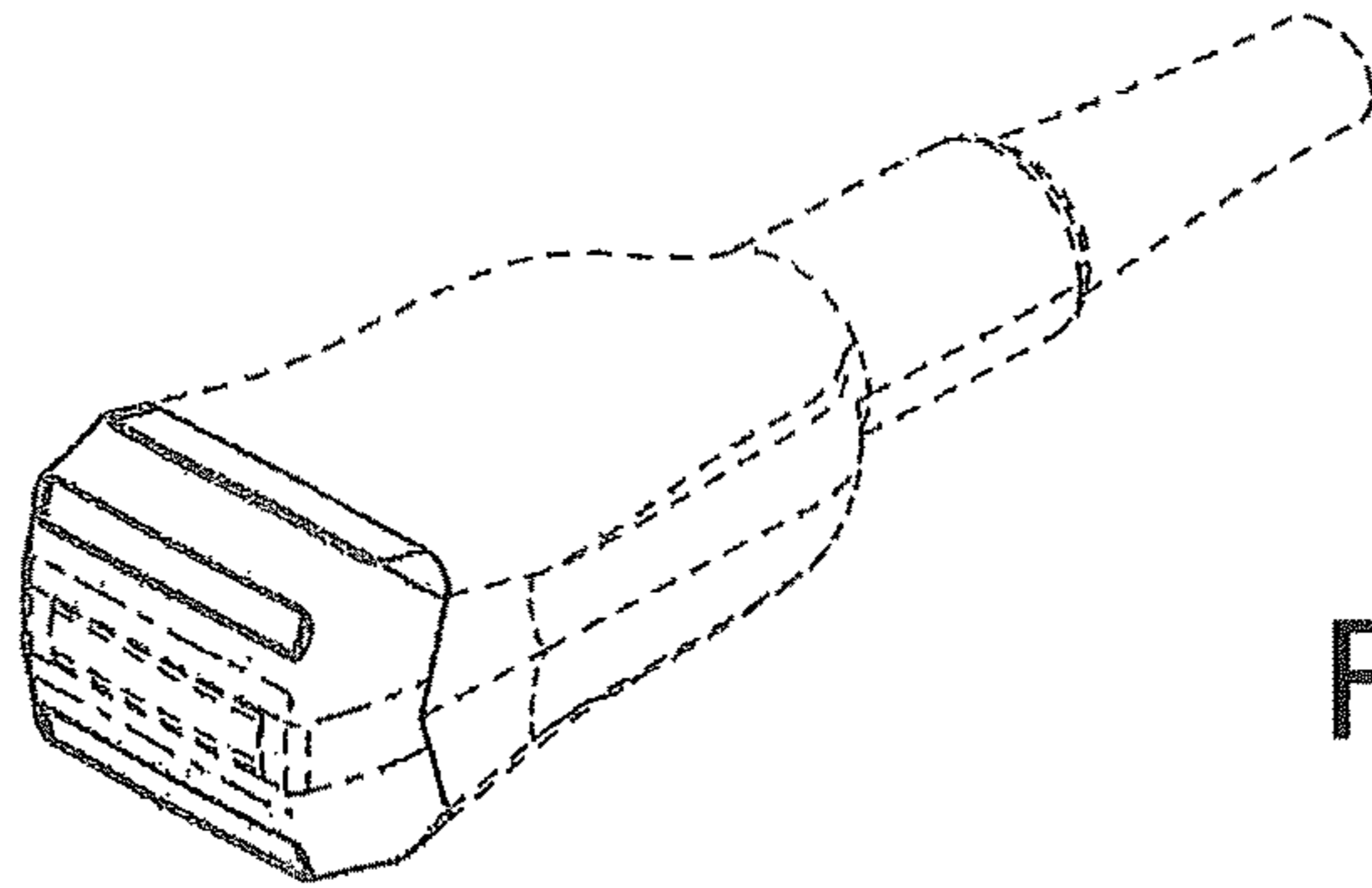


FIG. 1

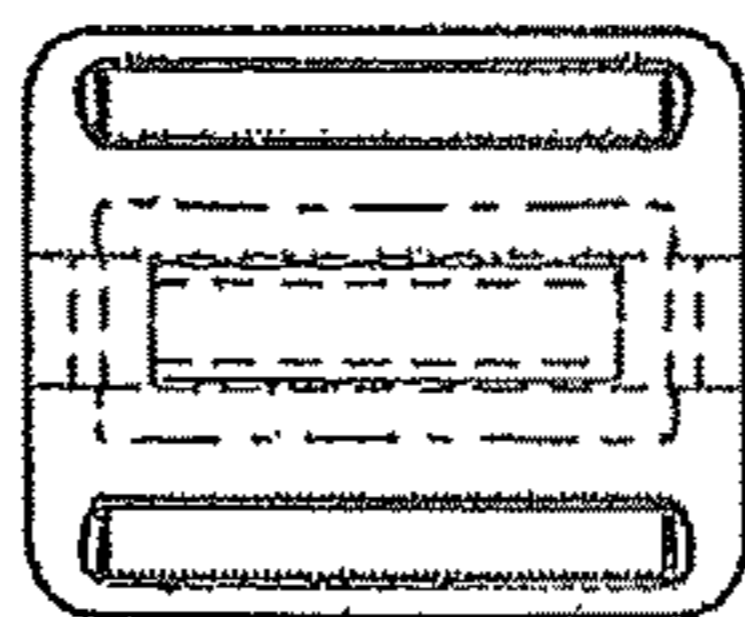


FIG. 2

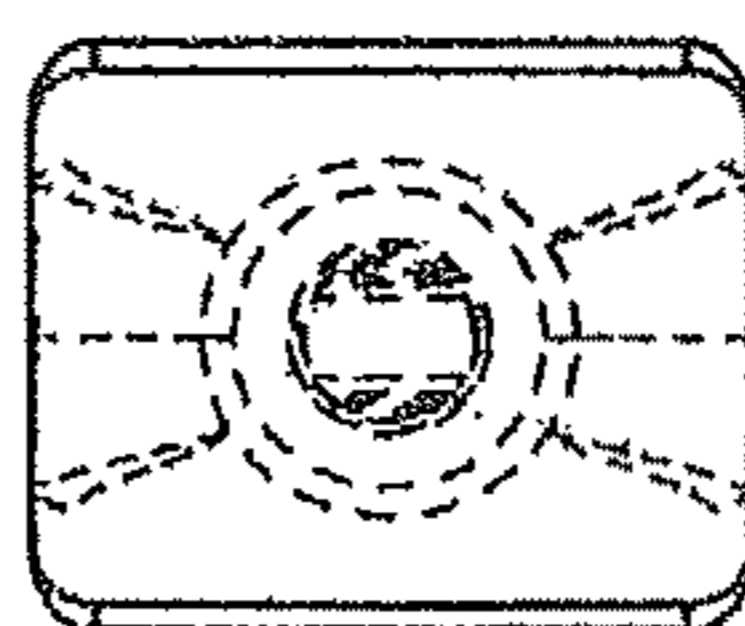


FIG. 3

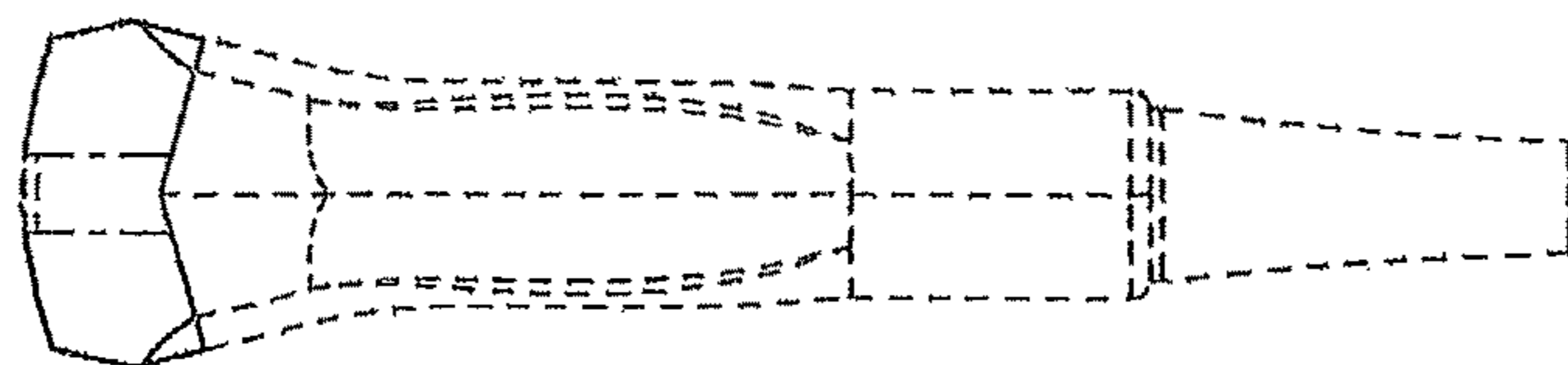


FIG. 4

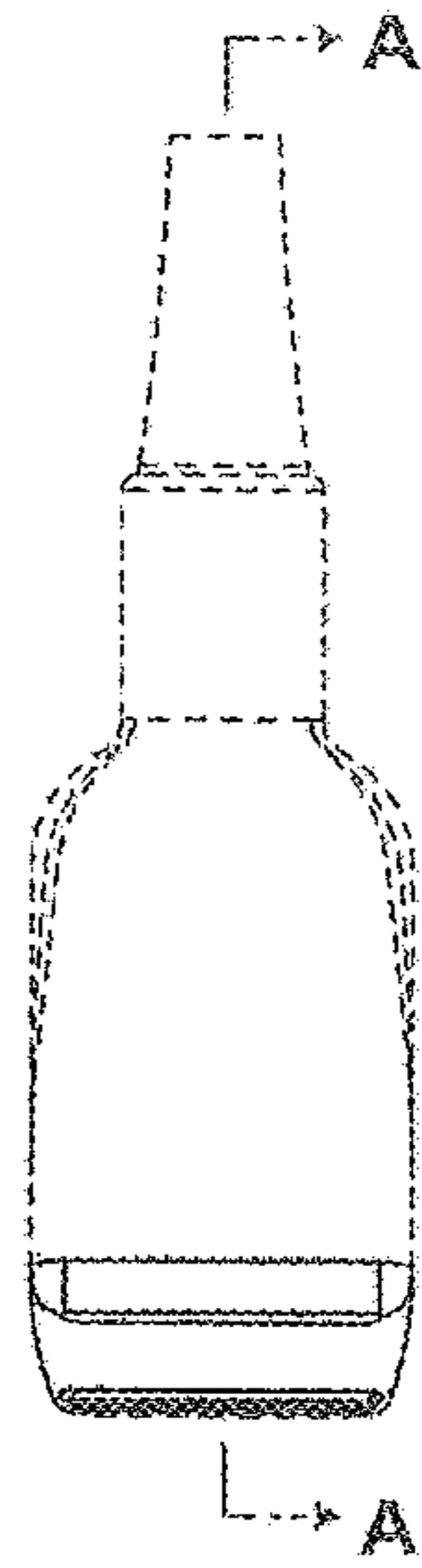


FIG. 5

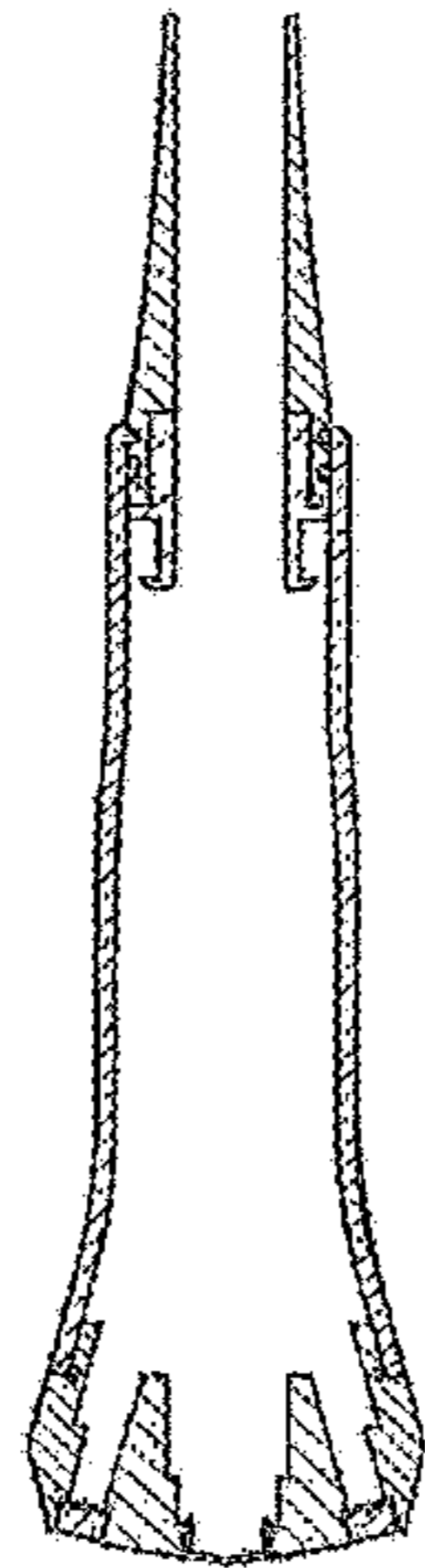


FIG. 6

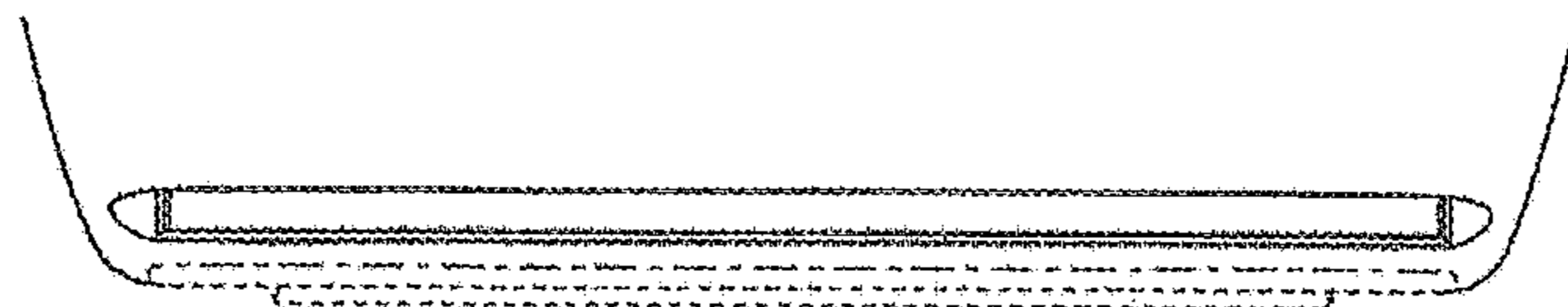


FIG. 7