



US00D788611S

(12) **United States Design Patent** (10) **Patent No.:** **US D788,611 S**
Anderson (45) **Date of Patent:** **** Jun. 6, 2017**

- (54) **TAPE MEASURE**
- (71) Applicant: **Milwaukee Electric Tool Corporation**,
Brookfield, WI (US)
- (72) Inventor: **Kyle C. Anderson**, Milwaukee, WI
(US)
- (73) Assignee: **Milwaukee Electric Tool Corporation**,
Brookfield, WI (US)

3,164,907 A 1/1965 Quenot
 3,214,836 A 11/1965 West
 3,499,225 A 3/1970 Darrah
 3,499,612 A 3/1970 Zelnick
 3,519,219 A 7/1970 Zelnick
 3,519,220 A 7/1970 Zelnick
 3,521,831 A 7/1970 Schmidt
 3,570,782 A 3/1971 Hayes
 3,577,641 A 5/1971 Smith

(Continued)

(**) Term: **15 Years**

(21) Appl. No.: **29/566,592**

(22) Filed: **Jun. 1, 2016**

(51) **LOC (10) Cl.** **10-04**

(52) **U.S. Cl.**
USPC **D10/72**

(58) **Field of Classification Search**
USPC D10/72

CPC G01B 3/10; G01B 3/1002; G01B 3/1041;
 G01B 2003/1043; G01B 2003/1046;
 G01B 2003/1048; G01B 2003/1051;
 G01B 2003/1053–2003/1097; G01B
 3/1082; G01B 3/1056; G01B 3/563;
 G01B 3/566; G01B 3/1071; G07B 3/10

See application file for complete search history.

(56) **References Cited**

U.S. PATENT DOCUMENTS

14,947 A 5/1856 Buck et al.
 1,303,756 A 5/1919 Ballou
 1,613,676 A 1/1927 Raphael
 2,052,259 A 8/1936 Stowell
 2,156,905 A 5/1939 Stowell et al.
 2,614,769 A 8/1950 Nicholson
 2,574,272 A 11/1951 McCully
 2,683,933 A 7/1954 McFarland
 2,816,369 A 12/1957 Becker
 2,994,958 A 8/1961 Beeber
 3,100,937 A 8/1963 Burch

FOREIGN PATENT DOCUMENTS

CN 2174684 8/1994
 DE 102006058396 7/2008

(Continued)

OTHER PUBLICATIONS

Hyun-Kyu Ko, "A Study on Design of Measure Tape for Home Use (for DIY)" (1996) Master's Thesis—Kyung Sung University, Graduate School of Industry, Department of Industrial Design, 658.04 4 (81 pages with English translation).

Primary Examiner — Antoine D Davis
(74) *Attorney, Agent, or Firm* — Reinhart Boerner Van Deuren s.c.

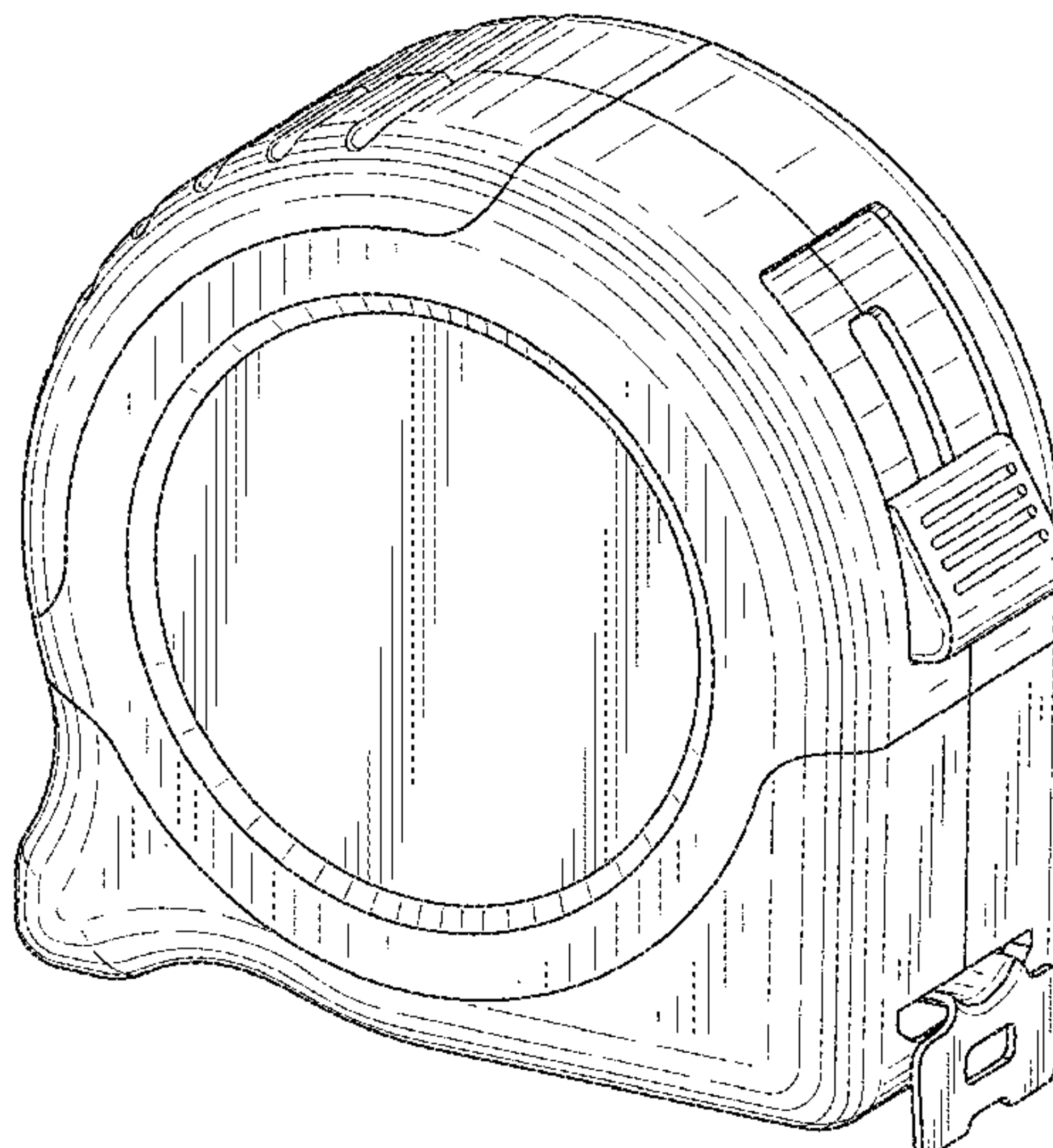
(57) **CLAIM**

I claim the ornamental design for a tape measure, as shown and described.

DESCRIPTION

FIG. 1 is a perspective view of a tape measure embodying the invention;
 FIG. 2 is a right side view of the tape measure of FIG. 1;
 FIG. 3 is a left side view of the tape measure of FIG. 1;
 FIG. 4 is a front view of the tape measure of FIG. 1;
 FIG. 5 is a rear view of the tape measure of FIG. 1;
 FIG. 6 is a top view of the tape measure of FIG. 1; and,
 FIG. 7 is a bottom view of the tape measure of FIG. 1.

1 Claim, 5 Drawing Sheets



(56)

References Cited

U.S. PATENT DOCUMENTS

3,578,259	A	5/1971	Zelnick	D342,459	S	12/1993	Shen
3,672,597	A	6/1972	Williamson	D342,687	S	12/1993	Kang
3,713,603	A	1/1973	Shore	5,335,421	A	8/1994	Jones, Jr.
3,716,201	A	2/1973	West	D350,703	S	9/1994	Fifer
3,816,925	A	6/1974	Hogan et al.	5,367,785	A	11/1994	Benarroch
3,838,520	A	10/1974	Quenot	5,448,837	A	9/1995	Han-Teng
3,869,096	A	3/1975	Hogan et al.	D365,769	S	1/1996	Kang
3,874,608	A	4/1975	Quenot	5,481,813	A	1/1996	Templeton
3,905,114	A	9/1975	Rutty	5,506,378	A	4/1996	Goldenberg
3,908,277	A	9/1975	Rutty	5,531,395	A	7/1996	Hsu
3,918,657	A	11/1975	Hawker et al.	5,542,184	A	8/1996	Beard
3,942,738	A	3/1976	Rutty	D375,269	S	11/1996	Wertheim
4,067,513	A	1/1978	Rutty et al.	5,575,077	A	11/1996	Tae
4,077,128	A	3/1978	Stoutenberg	5,600,894	A	2/1997	Blackman et al.
D247,878	S	5/1978	Covey	5,659,970	A	8/1997	Reedy
4,103,426	A	8/1978	Robin	5,699,623	A	12/1997	Lee
4,121,785	A	10/1978	Quenot	5,746,004	A	5/1998	Wertheim
4,131,244	A	12/1978	Quenot	D396,816	S	8/1998	Kang
4,142,693	A	3/1979	Czerwinski	D397,304	S	8/1998	Kang
4,149,320	A	4/1979	Troyer et al.	5,791,581	A	8/1998	Loeffler et al.
4,153,996	A	5/1979	Rutty	5,794,357	A	8/1998	Gilliam et al.
4,161,781	A	7/1979	Hildebrandt et al.	D397,626	S	9/1998	Davis
4,164,334	A	8/1979	Rathbun et al.	D397,950	S	9/1998	Blackman
4,164,816	A	8/1979	Bergkvist	5,806,202	A	9/1998	Blackman et al.
D253,876	S	1/1980	Covey	5,815,940	A	10/1998	Valentine, Sr.
D253,877	S	1/1980	Covey et al.	5,820,057	A	10/1998	Decarolis et al.
4,186,490	A	2/1980	Quenot	5,829,152	A	11/1998	Potter et al.
4,200,983	A	5/1980	West et al.	D402,216	S	12/1998	Gilliam
4,215,828	A	8/1980	Rathbun et al.	5,842,284	A	12/1998	Goldman
4,215,829	A	8/1980	Boyllin	5,875,557	A	3/1999	Ueki
D256,894	S	9/1980	Bruno	5,884,408	A	3/1999	Simmons
D257,008	S	9/1980	Hildebrandt	5,894,677	A	4/1999	Hoffman
4,286,387	A	9/1981	Di Diego	5,895,539	A	4/1999	Hsu
4,288,923	A	9/1981	Duda	D409,104	S	5/1999	Yang
4,363,171	A	12/1982	Scandella	5,913,586	A	6/1999	Marshall
4,411,072	A	10/1983	Rutty et al.	5,922,999	A	7/1999	Yang
4,427,883	A	1/1984	Betensky et al.	D412,858	S	8/1999	Staton
4,429,462	A	2/1984	Rutty et al.	5,990,435	A	11/1999	Chao
4,433,486	A	2/1984	Muehlenbein	6,011,472	A	1/2000	Pendergraph
4,434,952	A	3/1984	Czerwinski et al.	D420,606	S	2/2000	Hsu
4,449,302	A	5/1984	Drechsler et al.	D421,230	S	2/2000	Gilliam
4,462,160	A	7/1984	Cohen et al.	6,026,585	A	2/2000	Li
4,476,635	A	10/1984	Hart	6,032,379	A	3/2000	Usami
4,479,617	A	10/1984	Edwards	D423,382	S	4/2000	Piotrkowski
4,487,379	A	12/1984	Drechsler et al.	6,052,914	A	4/2000	Soon
4,489,494	A	12/1984	Duda	D424,454	S	5/2000	Ikeda
4,516,325	A	5/1985	Cohen et al.	6,082,017	A	7/2000	Simar
D279,553	S	7/1985	Drechsler	6,085,433	A	7/2000	Li
4,527,334	A	7/1985	Jones et al.	6,098,303	A	8/2000	Vogel
4,547,969	A	10/1985	Haack	6,108,926	A	8/2000	Fraser et al.
4,574,486	A	3/1986	Drechsler	6,115,933	A	9/2000	Li
4,578,867	A	4/1986	Czerwinski et al.	RE36,887	E	10/2000	Goldman
4,583,294	A	4/1986	Hutchins et al.	6,148,534	A	11/2000	Li
4,603,481	A	8/1986	Cohen et al.	6,161,299	A	12/2000	Lin
4,619,020	A	10/1986	Lecher, Sr.	6,167,635	B1	1/2001	Lin
4,748,746	A	6/1988	Jacoff	6,178,655	B1	1/2001	Potter et al.
4,811,489	A	3/1989	Walker	D438,478	S	3/2001	Lin
4,860,901	A	8/1989	Hochreuther et al.	D439,531	S	3/2001	Davis et al.
4,896,280	A	1/1990	Phillips	6,209,219	B1	4/2001	Wakefield
4,930,227	A	6/1990	Ketchpel	D441,308	S	5/2001	Davis
4,965,941	A	10/1990	Agostinacci	D442,076	S	5/2001	Swanson
4,972,601	A	11/1990	Bickford et al.	6,237,243	B1	5/2001	Cook
4,982,910	A	1/1991	Bickford	RE37,212	E	6/2001	Marshall
4,998,356	A	3/1991	Chapin	6,243,964	B1	6/2001	Murray
5,010,657	A	4/1991	Knapp	6,249,986	B1	6/2001	Murray
5,038,985	A	8/1991	Chapin	D447,069	S	8/2001	Budrow
5,046,339	A	9/1991	Krell	6,272,764	B1	8/2001	Lin
5,062,215	A	11/1991	Schlitt	6,276,071	B1	8/2001	Khachatoorian
5,134,784	A	8/1992	Atienza	D447,712	S	9/2001	Hsu
D333,628	S	3/1993	Piotrkowski	6,282,808	B1	9/2001	Murray
5,189,801	A	3/1993	Nicely	6,308,432	B1	10/2001	Gilliam et al.
5,208,767	A	5/1993	George-Kelso et al.	D451,041	S	11/2001	Chen
5,210,956	A	5/1993	Knispel et al.	D451,832	S	12/2001	Lamond et al.
5,230,158	A	7/1993	Wall	6,324,769	B1	12/2001	Murray
D342,210	S	12/1993	Grossman	6,338,204	B1	1/2002	Howle
				D453,303	S	2/2002	Lin
				6,349,482	B1	2/2002	Gilliam
				D454,082	S *	3/2002	Budrow D10/72
				6,367,161	B1	4/2002	Murray et al.

(56)

References Cited

U.S. PATENT DOCUMENTS

D458,163 S	6/2002	Kang	7,174,655 B1	2/2007	Gibbons et al.
D458,550 S	6/2002	Hsu	7,174,656 B1	2/2007	Smith
6,431,486 B1	8/2002	Lee	7,178,257 B2	2/2007	Kang et al.
D463,300 S	9/2002	Li	7,185,446 B1	3/2007	King
6,442,863 B1	9/2002	Poineau et al.	D540,207 S	4/2007	Ikeda
6,449,866 B1	9/2002	Murray	7,234,246 B1	6/2007	Rhead
D464,277 S	10/2002	Tarver	RE39,719 E	7/2007	Murray
D464,579 S	10/2002	Martone	D545,701 S	7/2007	Cooper
6,470,582 B1	10/2002	Renko	D547,681 S	7/2007	Nelson et al.
6,470,590 B1	10/2002	Lee	7,240,439 B2	7/2007	Critelli et al.
D465,426 S *	11/2002	Hsu D10/72	7,284,339 B1	10/2007	Campbell et al.
6,490,809 B1	12/2002	Li	7,299,565 B2	11/2007	Marshall et al.
6,497,050 B1	12/2002	Ricalde	D557,155 S	12/2007	Sa'ar
6,499,226 B1	12/2002	Reda et al.	D558,620 S	1/2008	Critelli et al.
D469,704 S	2/2003	Williams et al.	D560,522 S	1/2008	Farnworth et al.
RE38,032 E	3/2003	Butwin	7,334,344 B2	2/2008	Scarborough
D471,473 S	3/2003	Blackman et al.	7,343,694 B2	3/2008	Erdfarb
D471,827 S	3/2003	Ranieri et al.	D565,441 S	4/2008	Critelli
6,530,159 B2	3/2003	Tarver	D565,442 S	4/2008	Critelli
6,543,144 B1	4/2003	Morin	7,353,619 B2	4/2008	Gibbons et al.
6,546,644 B2	4/2003	Poineau et al.	7,363,723 B1	4/2008	Peterson
D474,412 S	5/2003	Ichinose et al.	7,377,050 B2	5/2008	Shute et al.
6,568,099 B2	5/2003	Bergeron	7,398,604 B2	7/2008	Murray
D476,913 S	7/2003	Blackman et al.	7,406,778 B2	8/2008	Lee et al.
6,595,451 B1	7/2003	Kang et al.	7,415,777 B2	8/2008	Campbell et al.
6,598,310 B1	7/2003	Odachowski	7,415,778 B1	8/2008	McEwan et al.
6,637,124 B2	10/2003	Pederson	D579,359 S	10/2008	Critelli et al.
6,637,126 B2	10/2003	Balota	7,434,330 B2	10/2008	McEwan et al.
6,643,947 B2	11/2003	Murray	7,454,845 B2	11/2008	Wise
D485,770 S	1/2004	Lee	D582,810 S	12/2008	Cook
D486,086 S	2/2004	Jueneman	7,458,537 B2	12/2008	Critelli et al.
6,684,522 B2	2/2004	Chilton	7,475,842 B2	1/2009	Campbell
6,688,010 B1	2/2004	Schwaerzler	7,487,600 B1	2/2009	Cooper
6,691,426 B1	2/2004	Lee et al.	7,490,414 B2	2/2009	Critelli et al.
6,694,622 B2	2/2004	Kim	7,490,415 B1	2/2009	Cubbedge
6,698,679 B1	3/2004	Critelli et al.	D590,283 S	4/2009	Critelli et al.
6,718,649 B1	4/2004	Critelli et al.	D590,284 S	4/2009	Critelli et al.
6,760,979 B1	7/2004	Hsu	7,555,845 B2	7/2009	Critelli et al.
6,796,052 B1	9/2004	Lin	7,559,154 B2	7/2009	Levine et al.
6,804,899 B2	10/2004	Murray	7,565,751 B2	7/2009	Murray
6,811,109 B1	11/2004	Blackman et al.	7,594,341 B2	9/2009	Erdfarb
6,836,975 B2	1/2005	Lin	D603,248 S	11/2009	Bar-Erez
6,839,981 B2	1/2005	Rafter	7,617,616 B1	11/2009	Berg
6,854,197 B2	2/2005	Knight	7,627,958 B2	12/2009	Tallon et al.
D503,351 S	3/2005	Chien	7,631,437 B2	12/2009	Sanderson
D503,637 S	4/2005	Noel	D611,849 S	3/2010	Cook et al.
D503,897 S	4/2005	Lin	7,669,347 B1	3/2010	Huang
6,874,245 B2	4/2005	Liu	D613,629 S	4/2010	Suzuki
D504,628 S	5/2005	Weeks et al.	D614,516 S	4/2010	Capra
D504,835 S	5/2005	Snider	7,703,216 B2	4/2010	Huang
D504,836 S	5/2005	Wang	D617,224 S	6/2010	Delneo et al.
6,892,468 B2	5/2005	Murray	7,805,855 B2	10/2010	Seo
6,904,697 B2	6/2005	Zars	7,845,093 B2	12/2010	Smiroldo
D507,195 S	7/2005	Kondo et al.	7,846,673 B2	12/2010	Pastorek et al.
6,918,191 B2	7/2005	Stauffer et al.	7,854,074 B2	12/2010	Zhou
6,920,700 B2	7/2005	Ekdahl et al.	7,913,406 B2	3/2011	Norelli
6,931,734 B2	8/2005	Elder et al.	7,918,037 B1	4/2011	Polkhovskiy
6,931,753 B2	8/2005	Ryals et al.	7,987,611 B2	8/2011	Taylor
6,935,045 B2	8/2005	Cubbedge	8,015,723 B2	9/2011	Solomon
6,938,354 B2	9/2005	Worthington	8,056,849 B2	11/2011	Ng et al.
6,944,961 B2	9/2005	Carroll	8,081,815 B2	12/2011	Kotake
6,959,499 B2	11/2005	Bini	D653,974 S	2/2012	Capra
6,962,002 B2	11/2005	Panosian	8,117,762 B2	2/2012	Delneo et al.
D514,962 S	2/2006	Armendariz	8,117,763 B2	2/2012	Delneo et al.
6,996,915 B2	2/2006	Ricalde	D660,735 S	5/2012	Petrillo
7,024,791 B2	4/2006	Marshall et al.	8,215,027 B2	7/2012	Kang
D522,890 S	6/2006	Huang	8,375,595 B2	2/2013	Murray et al.
7,055,260 B1	6/2006	Hoffman	8,381,411 B2	2/2013	Delarosa et al.
7,057,484 B2	6/2006	Gilmore	8,407,909 B2	4/2013	Lindsay
7,059,061 B2	6/2006	French	D733,597 S *	7/2015	Hyma D10/72
7,131,214 B1	11/2006	Blackman et al.	2001/0003872 A1	6/2001	Pederson
7,131,215 B2	11/2006	Kang	2001/0042315 A1	11/2001	Dixon
D535,900 S	1/2007	McKinney	2002/0011008 A1	1/2002	Nelson et al.
7,159,331 B2	1/2007	Critelli et al.	2002/0066193 A1	6/2002	Hodge
7,168,182 B2	1/2007	Kilpatrick et al.	2002/0066774 A1	6/2002	Prochac
			2002/0073570 A1	6/2002	Conder
			2003/0009899 A1	1/2003	Ha
			2003/0019116 A1	1/2003	DeWall
			2003/0019123 A1	1/2003	Lin

(56)

References Cited

U.S. PATENT DOCUMENTS

2003/0070315 A1 4/2003 Bergeron
 2003/0213141 A1 11/2003 Lin
 2003/0233762 A1 12/2003 Blackman et al.
 2004/0044438 A1 3/2004 Lorraine et al.
 2004/0055174 A1 3/2004 Hirsch, Jr.
 2004/0071869 A1 4/2004 Gilliam et al.
 2004/0088875 A1 5/2004 Lee et al.
 2004/0163267 A1 8/2004 Bini
 2004/0163271 A1 8/2004 Zars
 2004/0163272 A1 8/2004 Knight
 2005/0005470 A1 1/2005 Snider
 2005/0028396 A1 2/2005 Stauffer et al.
 2005/0155244 A1 7/2005 Ryals et al.
 2005/0155245 A1 7/2005 Panosian
 2005/0252020 A1 11/2005 Critelli et al.
 2005/0252021 A1 11/2005 Kang
 2006/0010705 A1 1/2006 Dettellis
 2006/0096112 A1 5/2006 Berring
 2006/0096113 A1 5/2006 Kang et al.
 2006/0107546 A1 5/2006 Pritchard
 2006/0130352 A1 6/2006 Huang
 2006/0185185 A1 8/2006 Scarborough
 2006/0230627 A1 10/2006 Blackman et al.
 2006/0248742 A1 11/2006 Marshall et al.
 2006/0283036 A1 12/2006 Huang
 2007/0017111 A1 1/2007 Hoback et al.
 2007/0056182 A1 3/2007 Di Bitonto et al.
 2007/0079520 A1 4/2007 Levine et al.
 2007/0152091 A1 7/2007 Campbell
 2007/0171630 A1 7/2007 Gibbons et al.
 2007/0227028 A1 10/2007 Campbell et al.
 2008/0028628 A1 2/2008 Campbell et al.
 2008/0086902 A1 4/2008 Murray
 2008/0086903 A1 4/2008 Peterson
 2008/0086904 A1 4/2008 Murray
 2008/0285854 A1 11/2008 Kotake et al.
 2009/0064517 A1 3/2009 Sanderson
 2009/0064525 A1 3/2009 Chen
 2009/0064526 A1 3/2009 Farnworth et al.
 2009/0249636 A1 10/2009 Reda et al.
 2010/0139110 A1 6/2010 Germain
 2010/0314277 A1 12/2010 Murray
 2010/0325910 A1 12/2010 Huang
 2011/0005094 A1 1/2011 Solomon
 2011/0138642 A1 6/2011 Norelli
 2011/0179661 A1 7/2011 Delneo et al.
 2011/0179663 A1 7/2011 Kang
 2011/0179664 A1 7/2011 Delneo et al.
 2012/0036727 A1 2/2012 McCarthy
 2012/0055038 A1 3/2012 Lindsay

2012/0073156 A1 3/2012 Delarosa et al.
 2012/0159799 A1 6/2012 Murray et al.
 2012/0167403 A1 7/2012 Roeske
 2013/0025147 A1 1/2013 Steele et al.
 2013/0025148 A1 1/2013 Steele et al.
 2013/0047455 A1 2/2013 Steele et al.
 2013/0185949 A1 7/2013 Burch et al.

FOREIGN PATENT DOCUMENTS

DE	102006058396	6/2011
EP	0066322	10/1986
EP	0199430	10/1986
EP	0427932	5/1991
EP	0531570	3/1993
EP	0724133	7/1996
EP	0896200	2/1999
EP	0896200	12/1999
EP	1074813	2/2001
EP	1175840	1/2002
EP	1411319	4/2004
EP	1144947	9/2004
EP	1469276	10/2004
EP	1104542	12/2004
EP	1553382	7/2005
EP	0922196	11/2005
EP	1647797	4/2006
EP	1237431	10/2006
EP	1914508	4/2008
EP	1914509	4/2008
EP	2469218	6/2012
GB	690458	4/1953
JP	1961002384	2/1961
JP	1983134704	9/1983
JP	10332301	12/1998
KR	19840001901	9/1984
KR	19910004712	11/1991
WO	WO 9402799	2/1994
WO	WO 9714541	4/1997
WO	WO 9809133	3/1998
WO	WO 9811402	3/1998
WO	WO 9823524	6/1998
WO	WO 9923447	5/1999
WO	WO 0009969	2/2000
WO	WO 0060306	10/2000
WO	WO 02057710	7/2002
WO	WO 03031903	4/2003
WO	WO 2005008171	1/2005
WO	WO 2007059353	5/2007
WO	WO 2007059354	5/2007
WO	WO 2007126960	11/2007

* cited by examiner

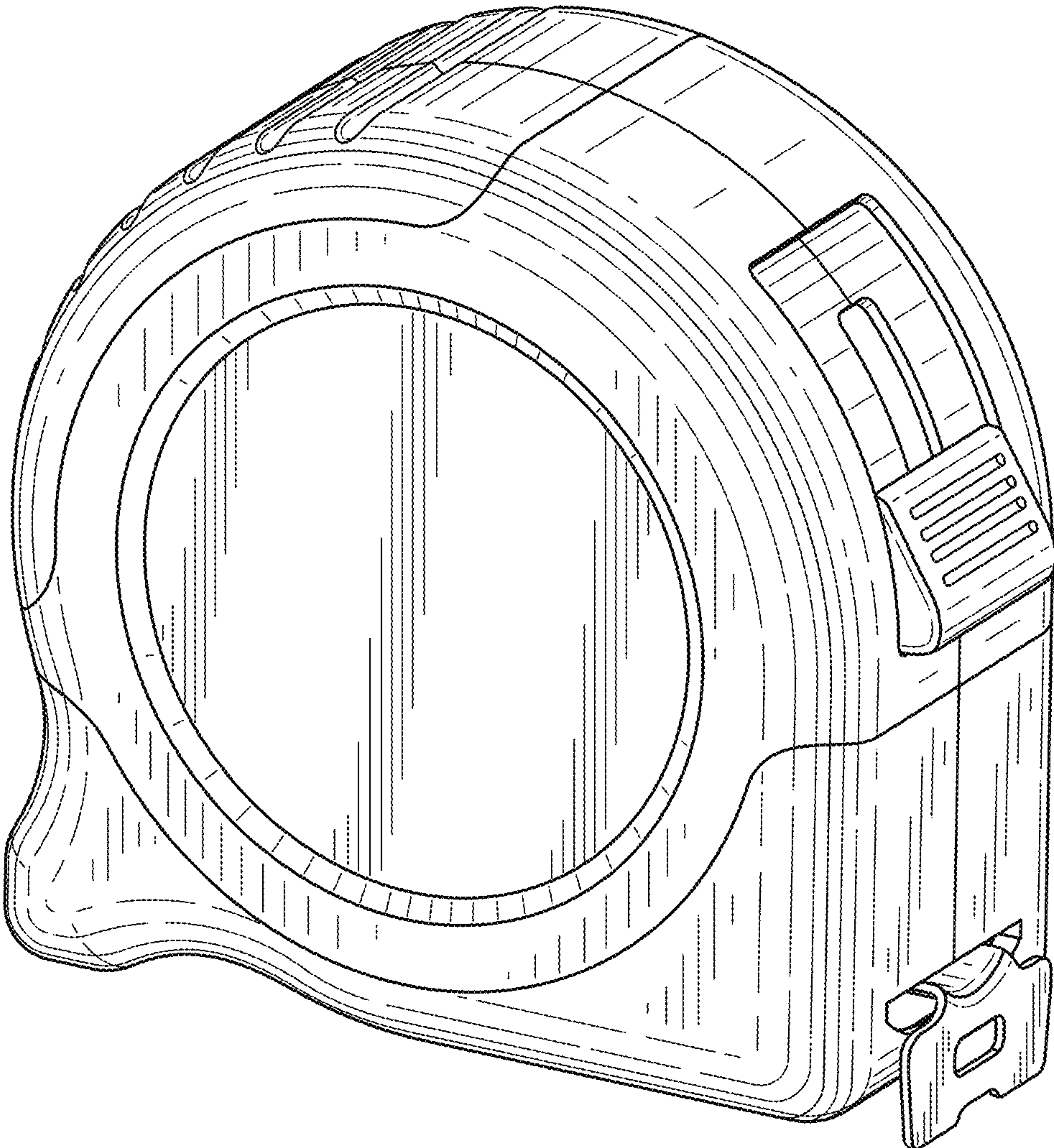


FIG. 1

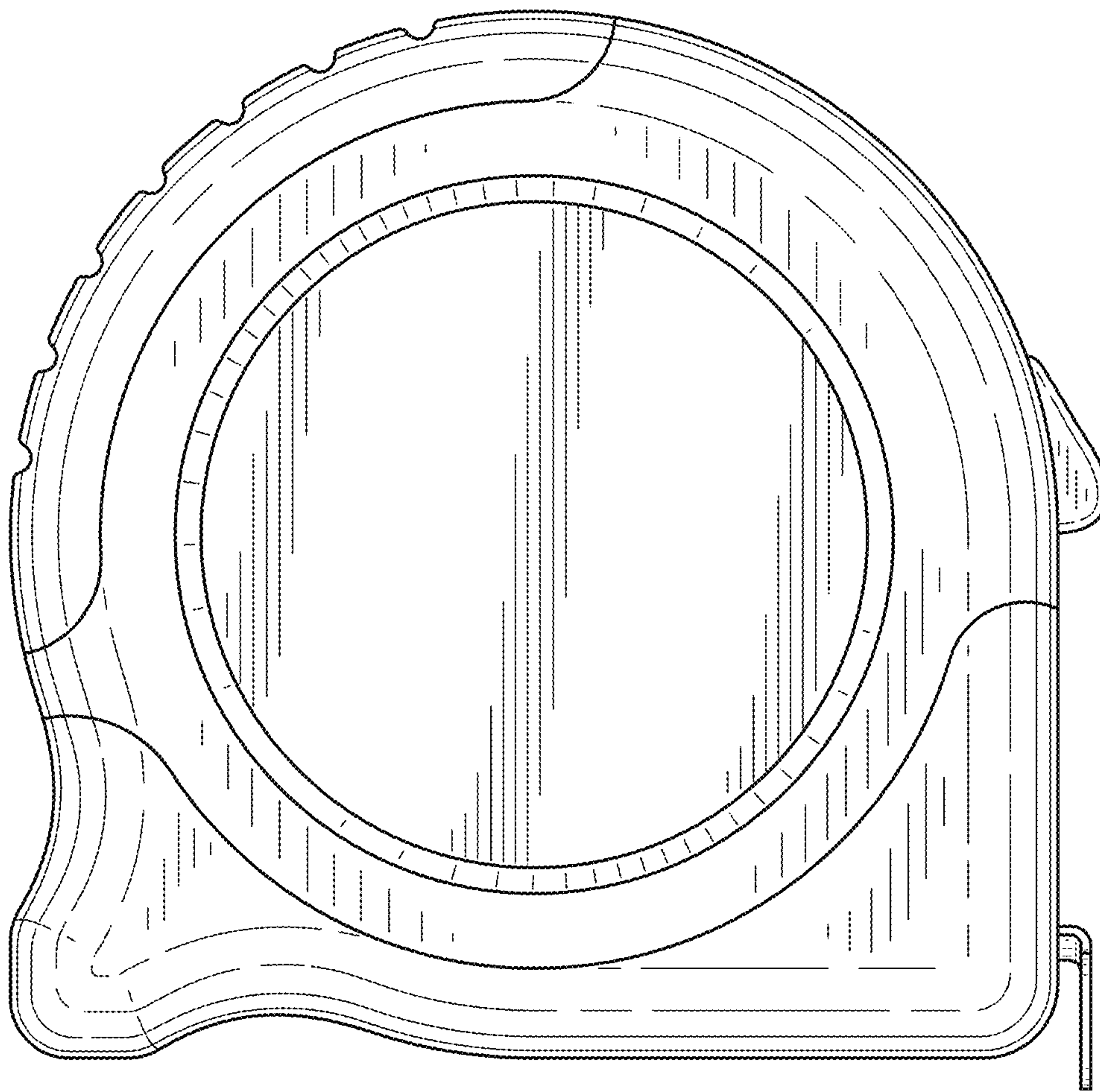


FIG. 2

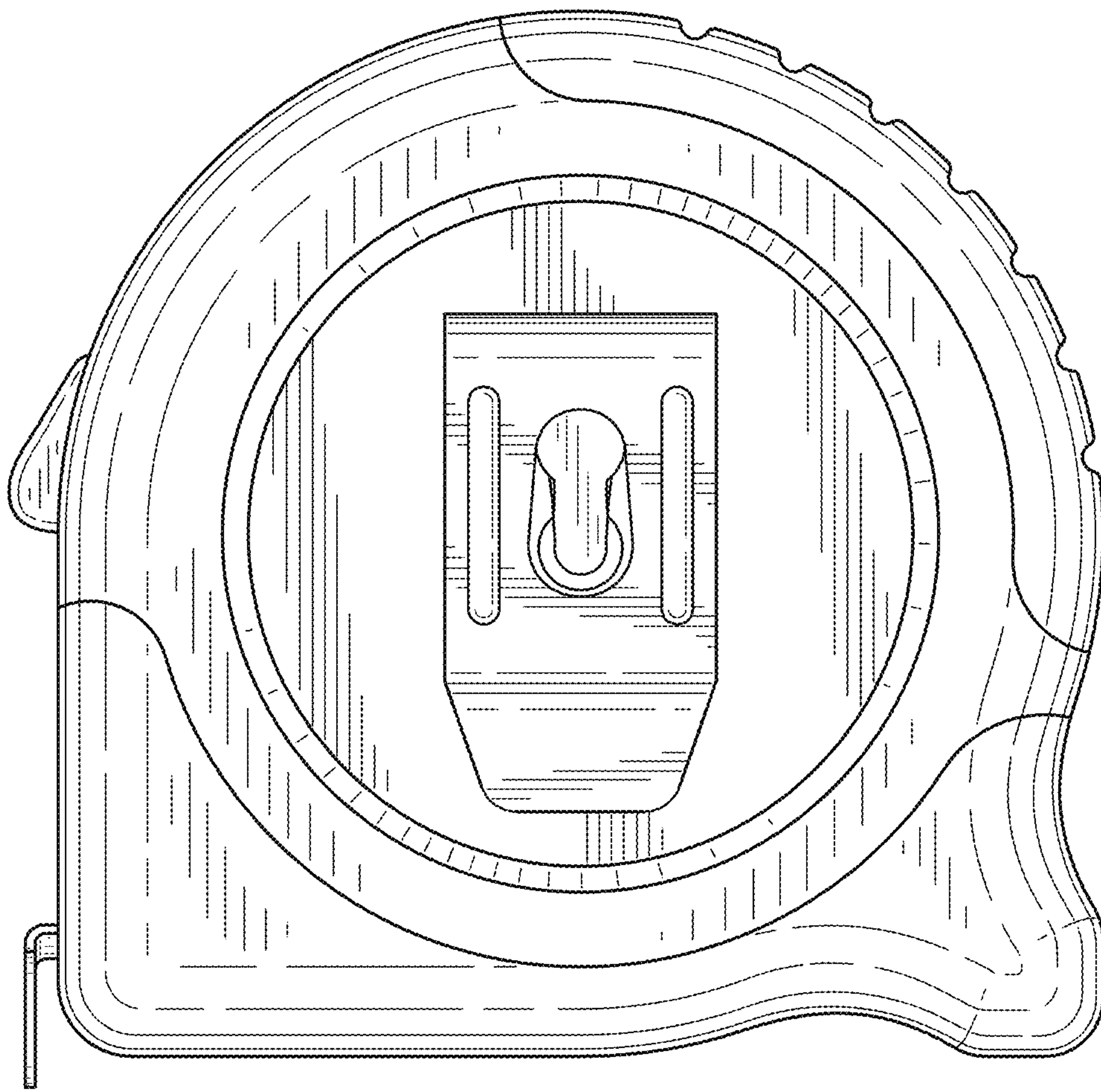


FIG. 3

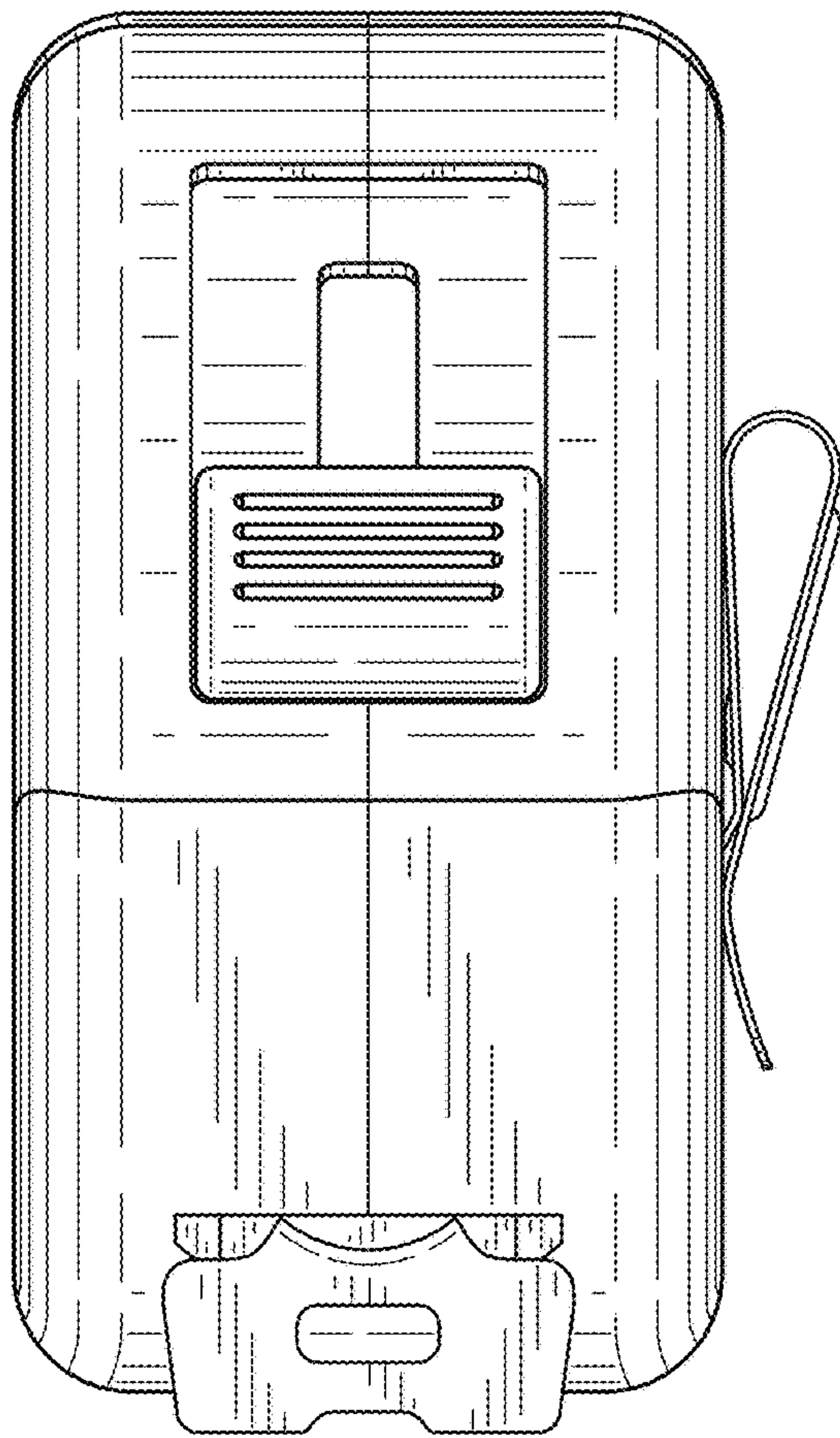


FIG. 4

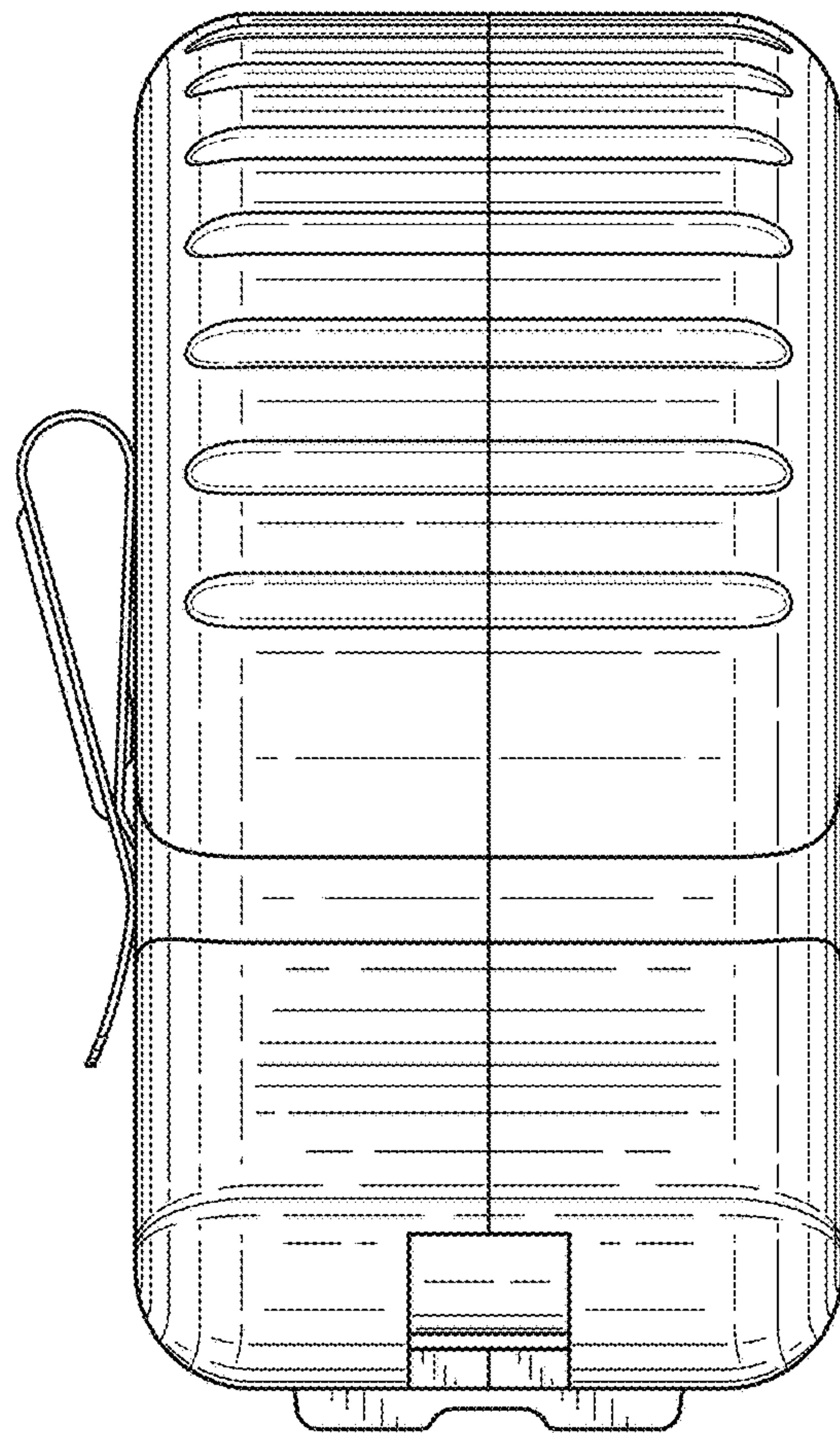


FIG. 5

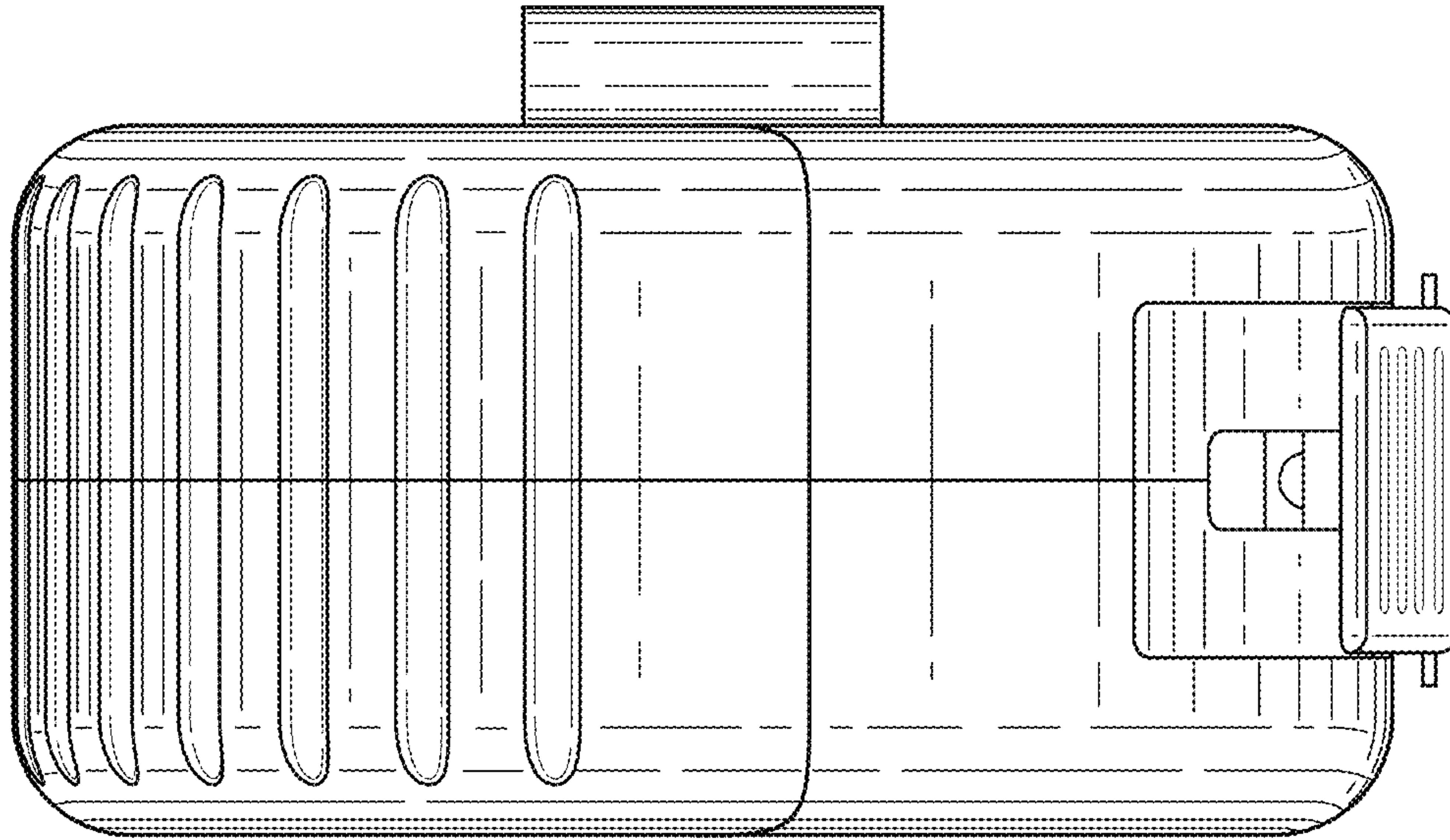


FIG. 6

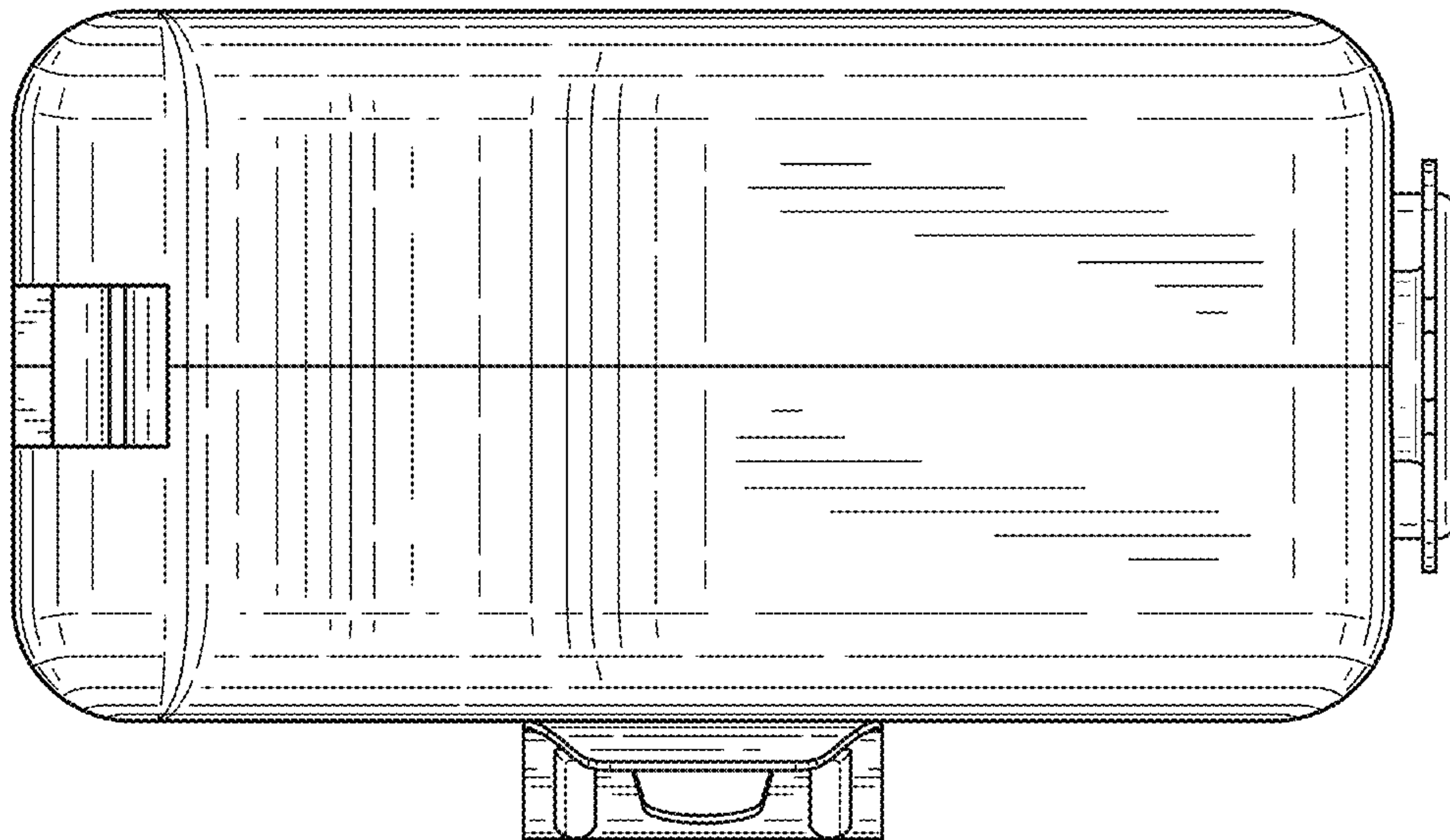


FIG. 7