



US00D788608S

(12) **United States Design Patent**
Houin et al.

(10) **Patent No.:** **US D788,608 S**
(45) **Date of Patent:** **** Jun. 6, 2017**

(54) **FITNESS DEVICE**

(71) Applicant: **Garmin Switzerland GmbH**,
Schaffhausen (CH)

(72) Inventors: **Patrick M. Houin**, Overland Park, KS
(US); **Ian J. Baker**, Olathe, KS (US);
Kevin Liu, Kansas City, MO (US);
Michael J. Soleo, Shawnee, KS (US);
Nicholas E. Tobaben, Lenexa, KS
(US); **Warren R. Stevens**, Olathe, KS
(US)

(73) Assignee: **Garmin Switzerland GmbH** (CH)

(**) Term: **15 Years**

(21) Appl. No.: **29/555,141**

(22) Filed: **Feb. 18, 2016**

(51) **LOC (10) Cl.** **10-04**

(52) **U.S. Cl.**
USPC **D10/70**; D10/38; D14/344; D24/167

(58) **Field of Classification Search**
USPC D10/30–39, 65, 70, 97, 98; D11/3;
D14/344
CPC A44C 5/00–5/16; G04B 37/00–37/228;
G04B 45/0069; G04B 47/04; G04B
19/00–19/34; G04B 21/12; G04B 23/12;
G04B 47/00–47/068; G01C 17/00; G01C
21/00–21/3697

See application file for complete search history.

(56) **References Cited**

U.S. PATENT DOCUMENTS

D715,668 S 10/2014 Roush et al. D10/98
D718,647 S 12/2014 Roush et al. D10/98

D720,248 S * 12/2014 Law D11/3
D747,714 S * 1/2016 Erbeus D10/70
D757,583 S * 5/2016 Roush D10/70
D772,869 S * 11/2016 Iizuka D10/70

OTHER PUBLICATIONS

Printout from http://store.nike.com/us/en_us/pd/fuelband-se/pid-924482/pgid-924484 published prior to Nov. 15, 2013.
Printout from http://gadgetwise.blogs.nytimes.com/2009/07/17/marathon-tech-review-nike-sportband/?_r=0 published prior to Nov. 15, 2013.
Printout from <http://mashable.com/2011/11/02/jawbone-up-99-wristband-rule-life/> published prior to Nov. 15, 2013.
Printout from <http://www.theverge.com/2013/5/6/4303072/fitbit-flex-review> published prior to Nov. 15, 2013.

(Continued)

Primary Examiner — Antoine D Davis

(74) *Attorney, Agent, or Firm* — Samuel M. Korte; Max M. Ali

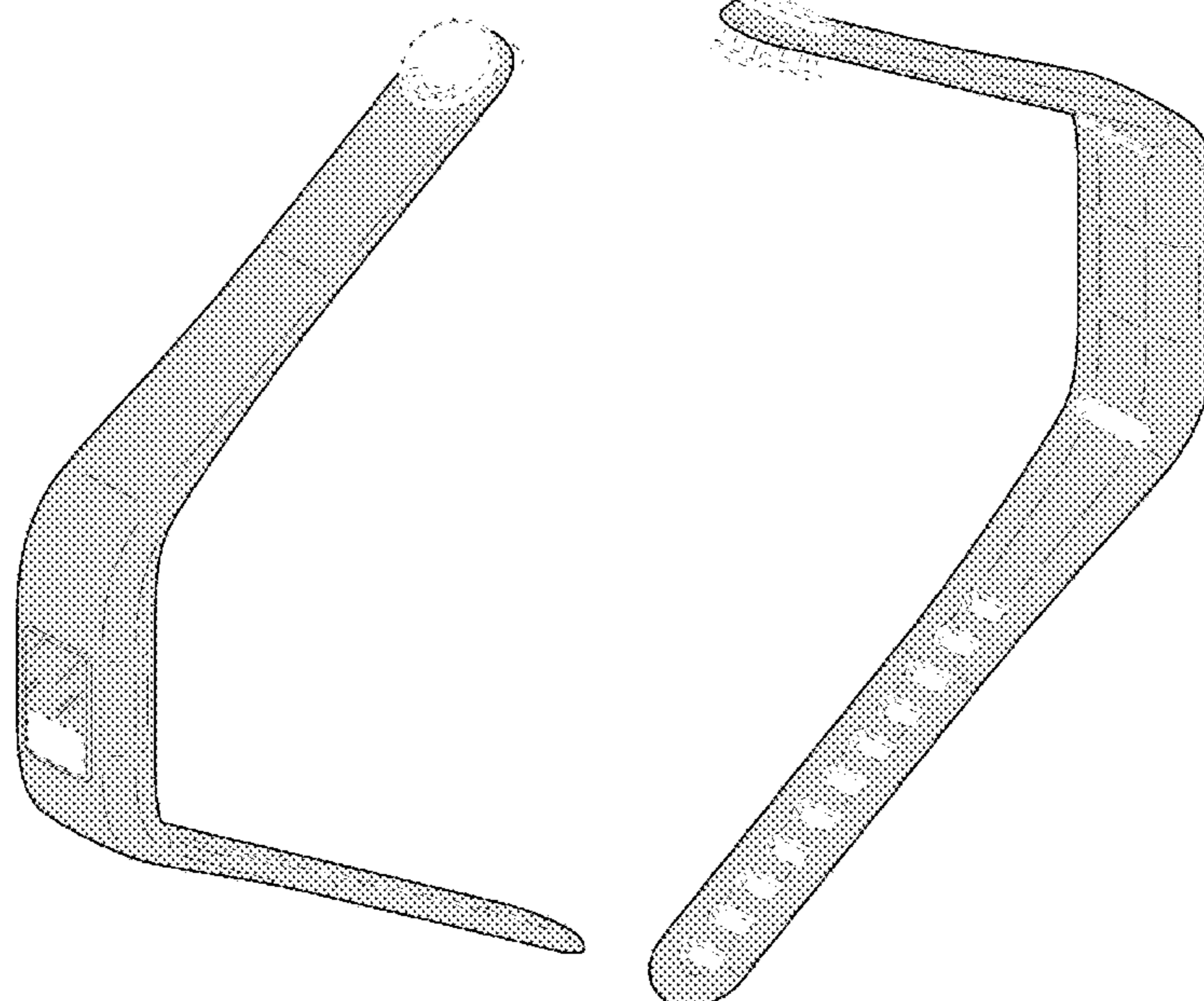
(57) **CLAIM**

The ornamental design for a fitness device, as shown and described.

DESCRIPTION

FIG. 1 is a front perspective view of a fitness device according to the present invention;
FIG. 2 is a rear perspective view of the fitness device;
FIG. 3 is a top view of the fitness device;
FIG. 4 is a front view of the fitness device;
FIG. 5 is a bottom view of the fitness device;
FIG. 6 is a rear view of the fitness device;
FIG. 7 is a left side view of the fitness device; and,
FIG. 8 is a right side view of the fitness device.
The structural features depicted by broken lines have been shown for the purpose of illustrating portions of the fitness watch that form no part of the claimed design.

1 Claim, 4 Drawing Sheets



(56)

References Cited

OTHER PUBLICATIONS

Printout from <http://www.bestfitnesstrackerreviews.com/larklife-lark-band-review.html> published prior to Nov. 15, 2013.

Printout from <https://jawbone.com/store/buy/up3> published prior to Jun. 26, 2015.

Printout from <http://www.mi.com/en/miband/#01> published prior to Feb. 18, 2016.

Printout from <https://misfit.com/products/misfit-ray> published prior to Feb. 18, 2016.

Printout from <http://pixmob.com/product/> published prior to Feb. 18, 2016.

* cited by examiner

Fig. 1

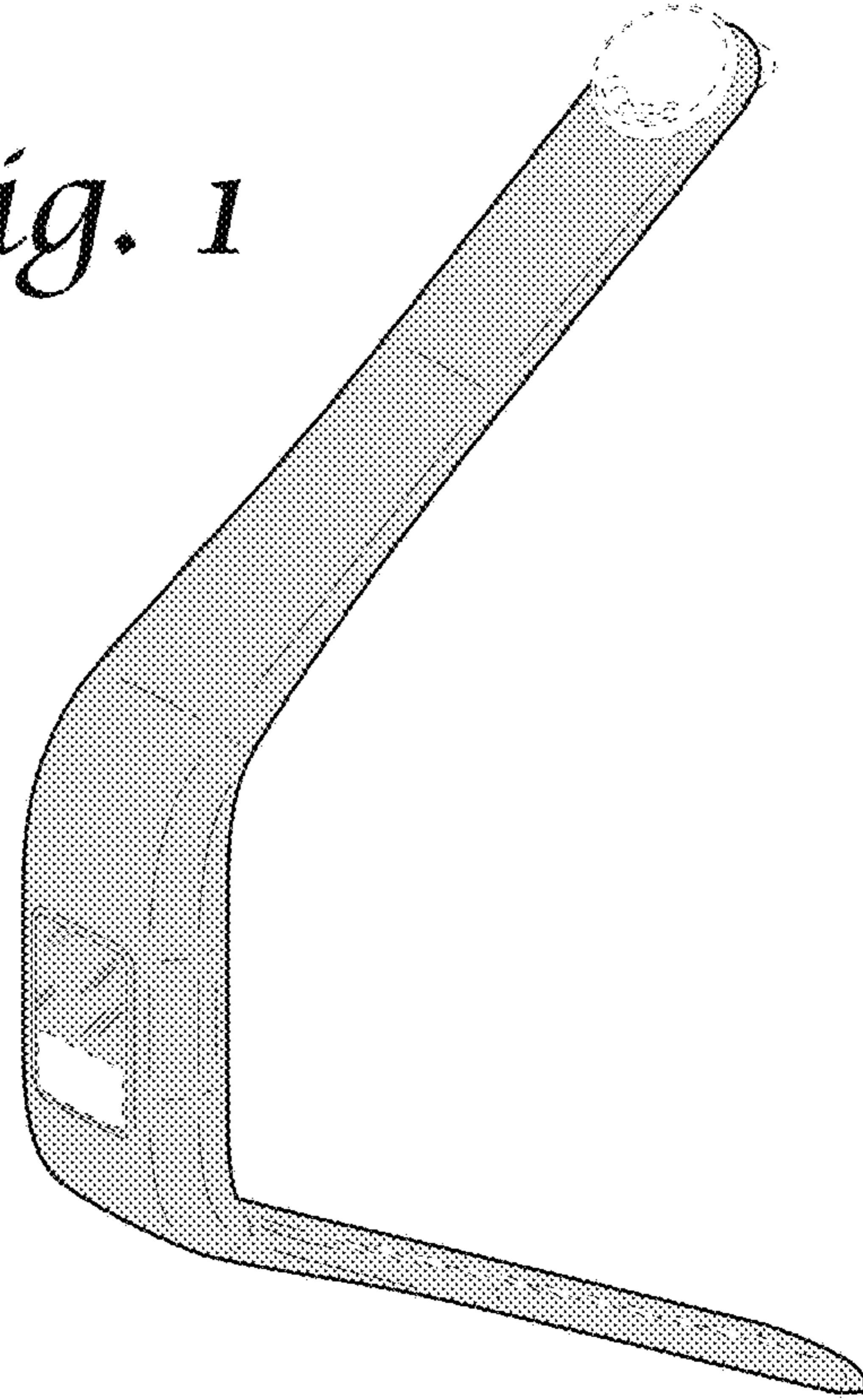
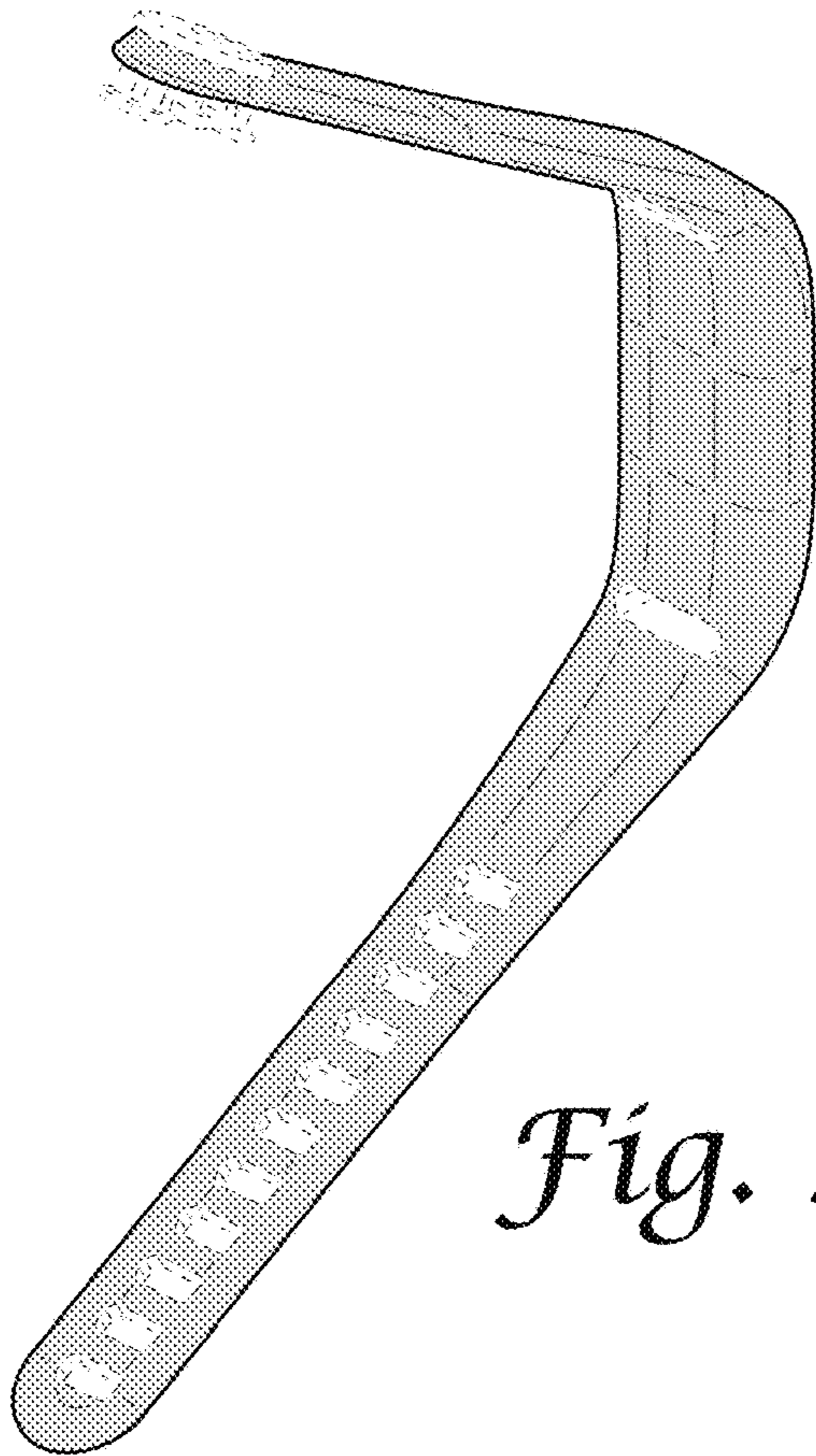


Fig. 2



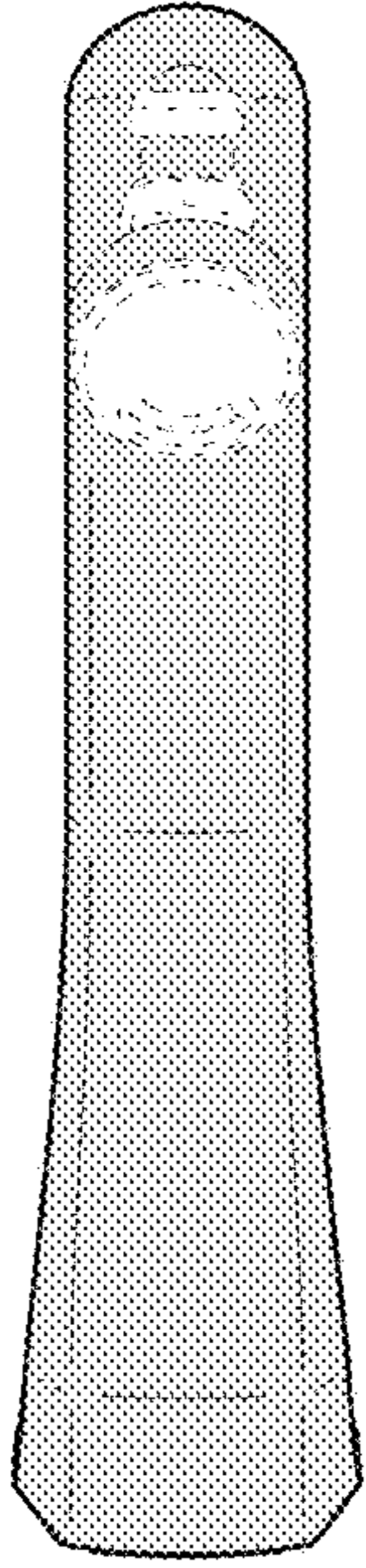


Fig. 3

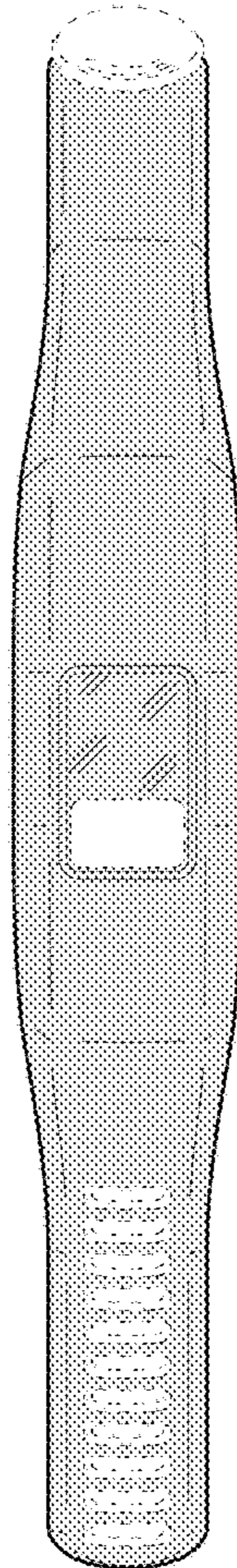


Fig. 4

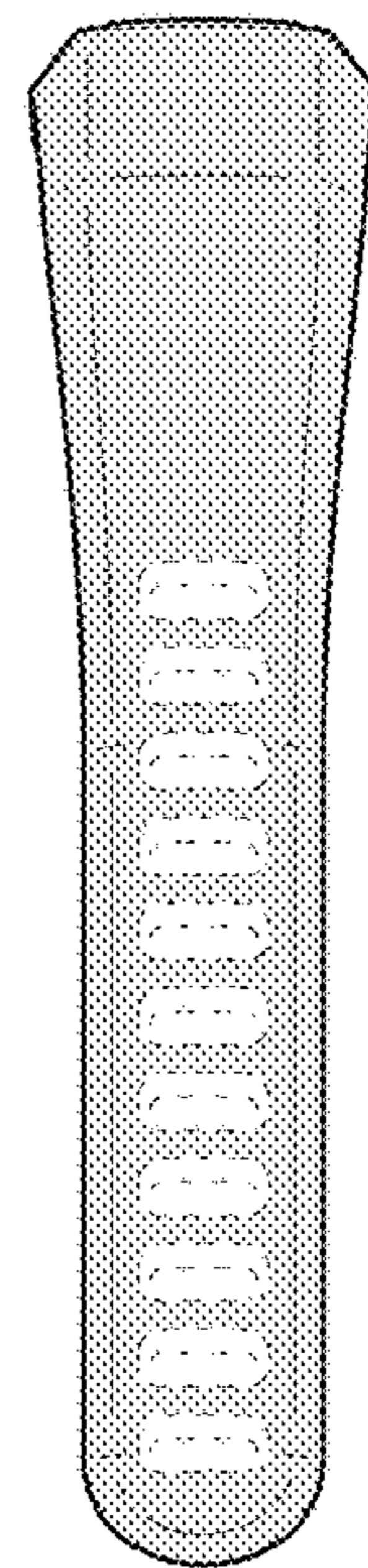


Fig. 5

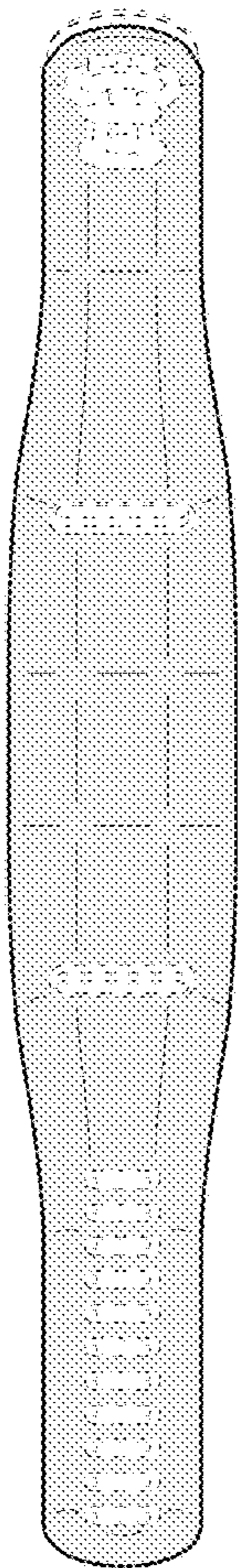


Fig. 6

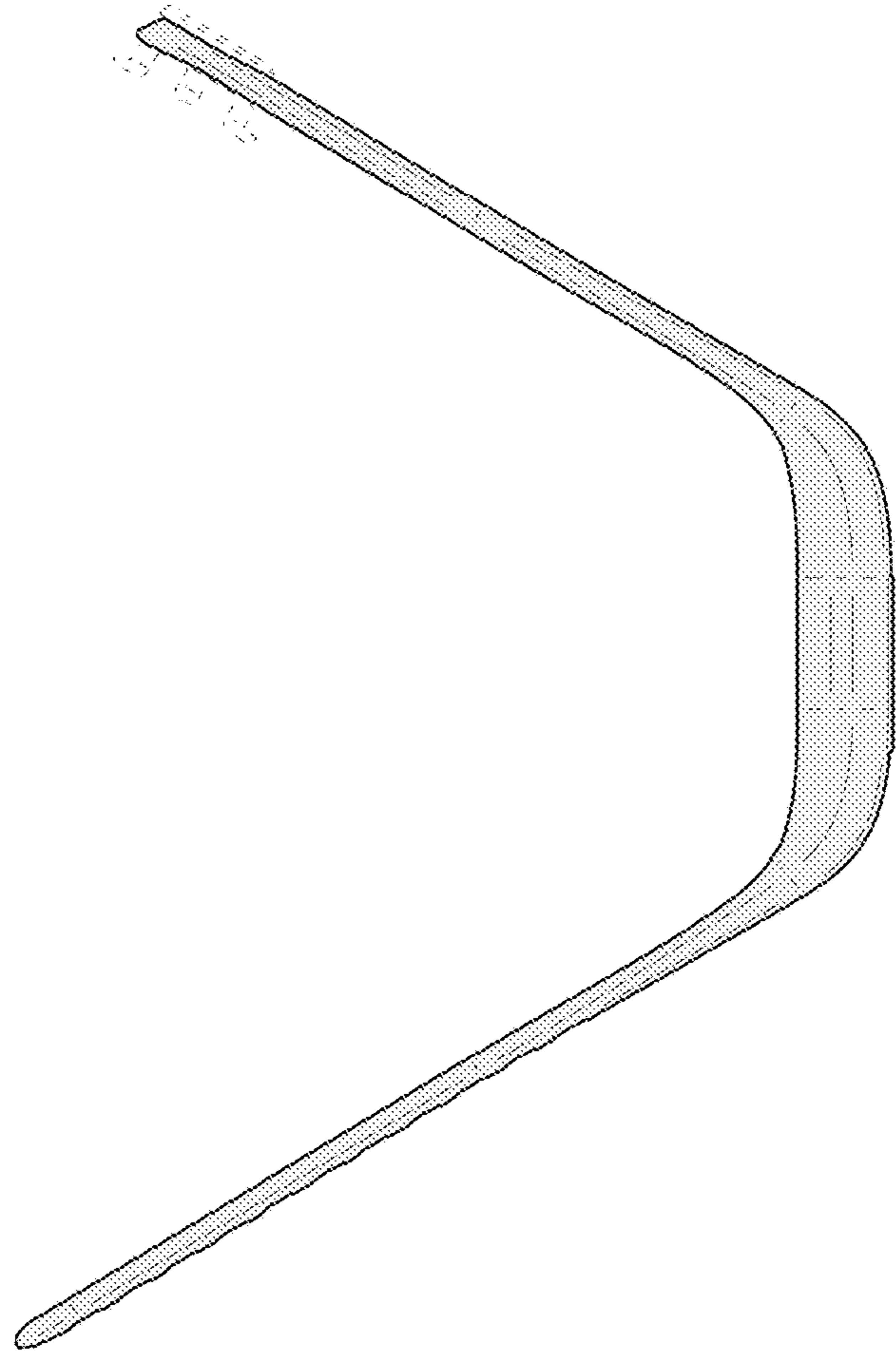


Fig. 7

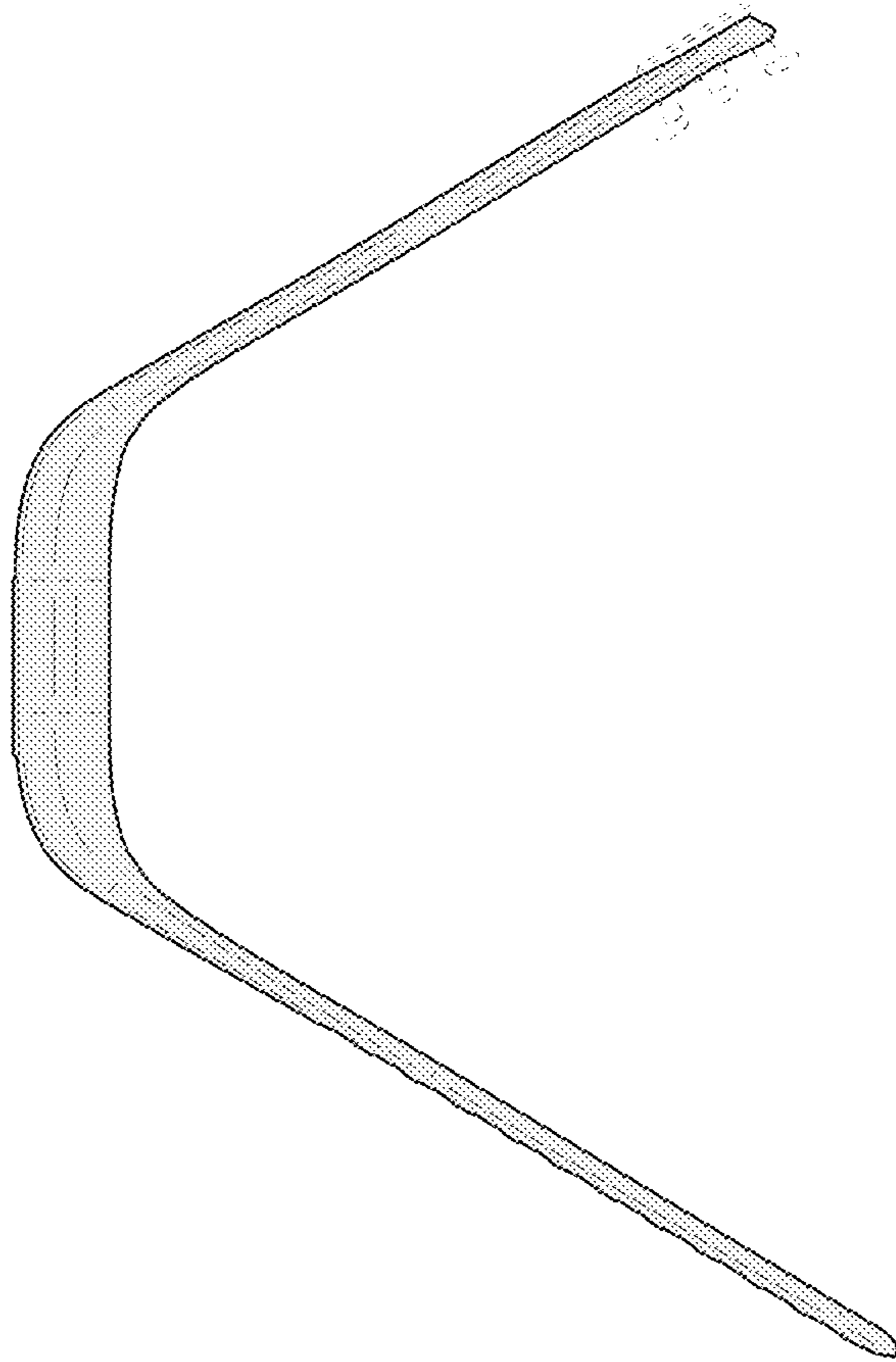


Fig. 8