



US00D788607S

(12) **United States Design Patent**
Ji et al.

(10) **Patent No.:** **US D788,607 S**

(45) **Date of Patent:** **** Jun. 6, 2017**

(54) **MOTION SENSOR**

(56) **References Cited**

(71) Applicants: **NANNING FUGUI PRECISION INDUSTRIAL CO., LTD.**, Nanning (CN); **HON HAI PRECISION INDUSTRY CO., LTD.**, New Taipei (TW)

U.S. PATENT DOCUMENTS

D412,924 S * 8/1999 Hiraguchi D16/203
D415,509 S * 10/1999 Hiraguchi D16/203
6,678,001 B1 * 1/2004 Elberbaum G08B 13/19619
348/373

(72) Inventors: **Yan-Juan Ji**, Shenzhen (CN); **Yao Liu**, Shenzhen (CN)

* cited by examiner

Primary Examiner — Antoine D Davis

(73) Assignees: **NANNING FUGUI PRECISION INDUSTRIAL CO., LTD.**, Nanning (CN); **HON HAI PRECISION INDUSTRY CO., LTD.**, New Taipei (TW)

(74) *Attorney, Agent, or Firm* — Steven Reiss

(**) **Term:** **15 Years**

(57) **CLAIM**

The ornamental design for a motion sensor, as shown and described.

(21) **Appl. No.:** **29/553,332**

(22) **Filed:** **Jan. 31, 2016**

DESCRIPTION

(30) **Foreign Application Priority Data**

Sep. 25, 2015 (CN) 2015 3 0376318

(51) **LOC (10) Cl.** **10-04**

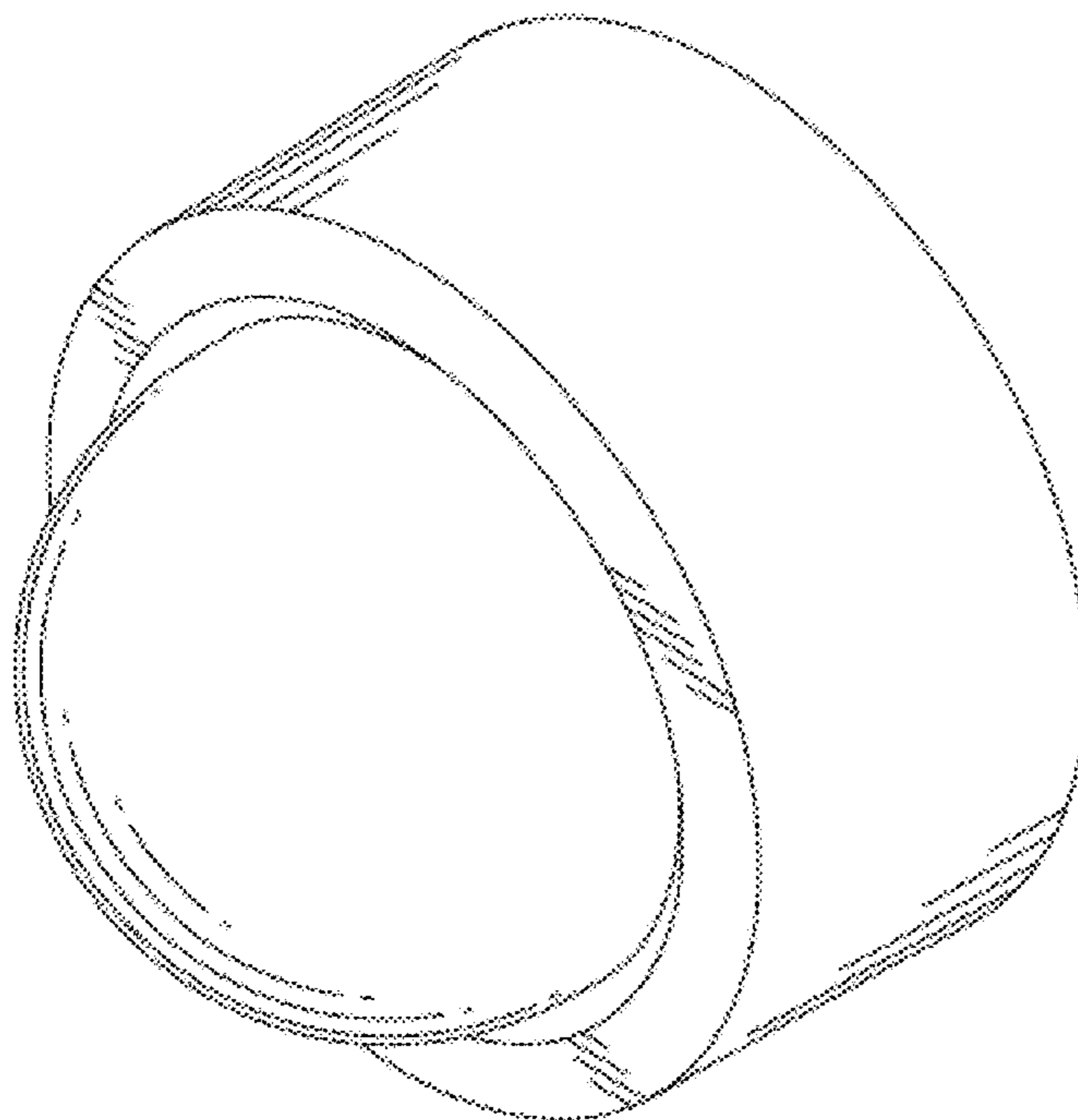
(52) **U.S. Cl.**
USPC **D10/70; D16/202; D16/203**

(58) **Field of Classification Search**
USPC D10/65, 70; D16/202, 203
CPC G08B 13/19617; G08B 13/19619; G08B 13/19632; G08B 13/194; G08B 13/196
See application file for complete search history.

FIG. 1 is a perspective view of a motion sensor;
FIG. 2 is a front elevational view thereof;
FIG. 3 is a rear elevational view thereof;
FIG. 4 is a left side elevational view thereof;
FIG. 5 is a right side elevational view thereof;
FIG. 6 is a top plan view thereof; and,
FIG. 7 is a bottom plan view thereof.

The broken lines in the drawings are used to illustrate environmental structures, and form no part of the claimed design.

1 Claim, 7 Drawing Sheets



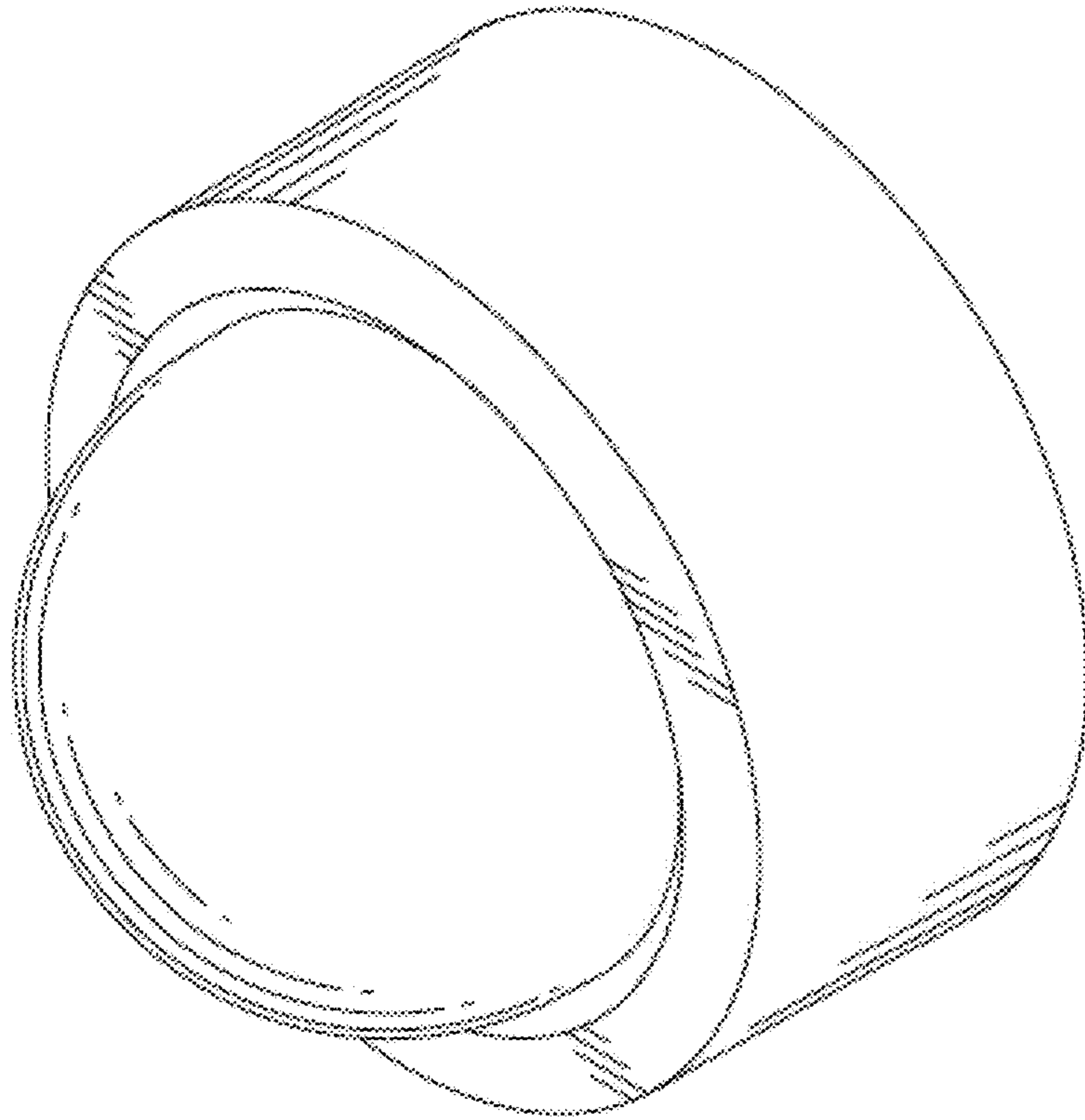


FIG. 1

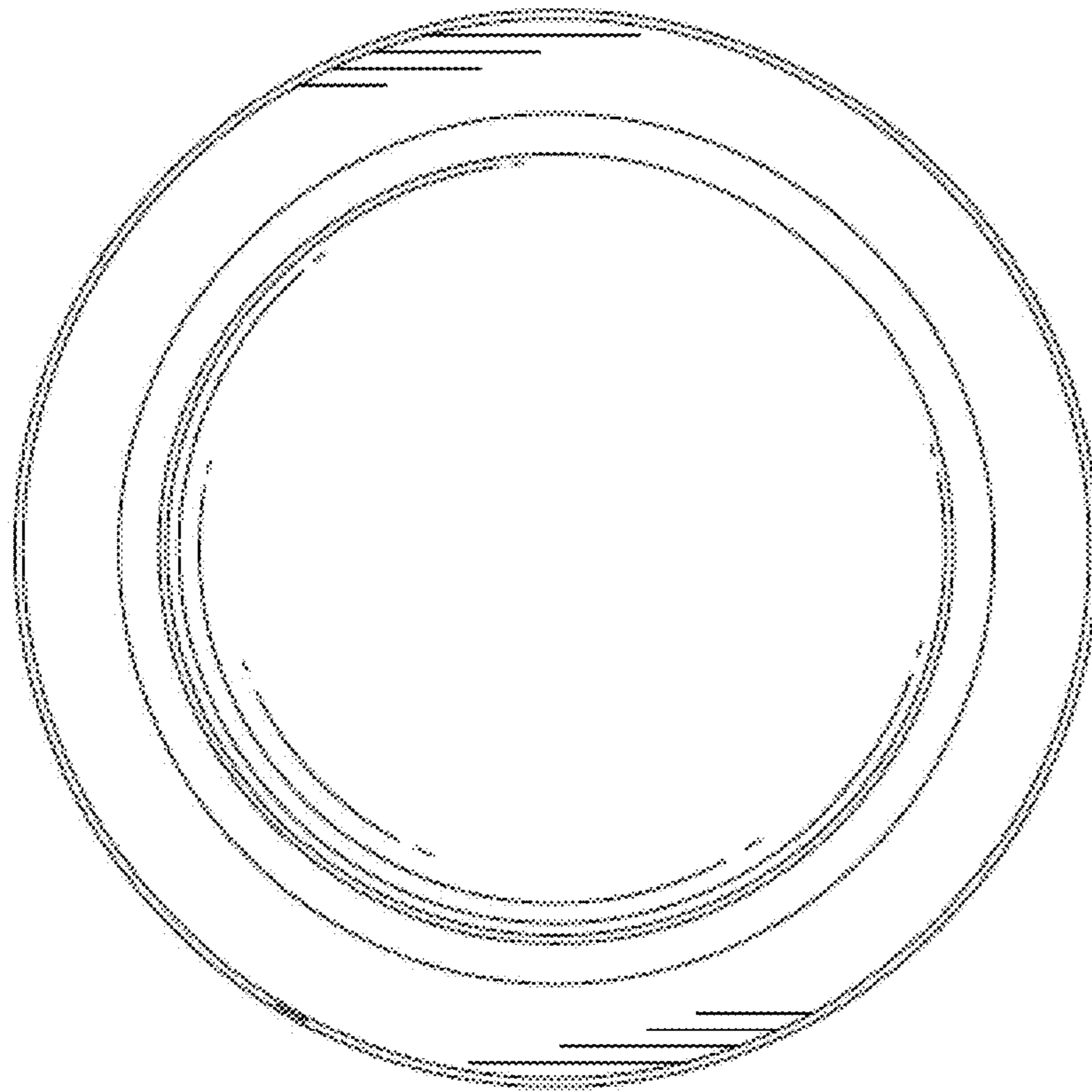


FIG. 2

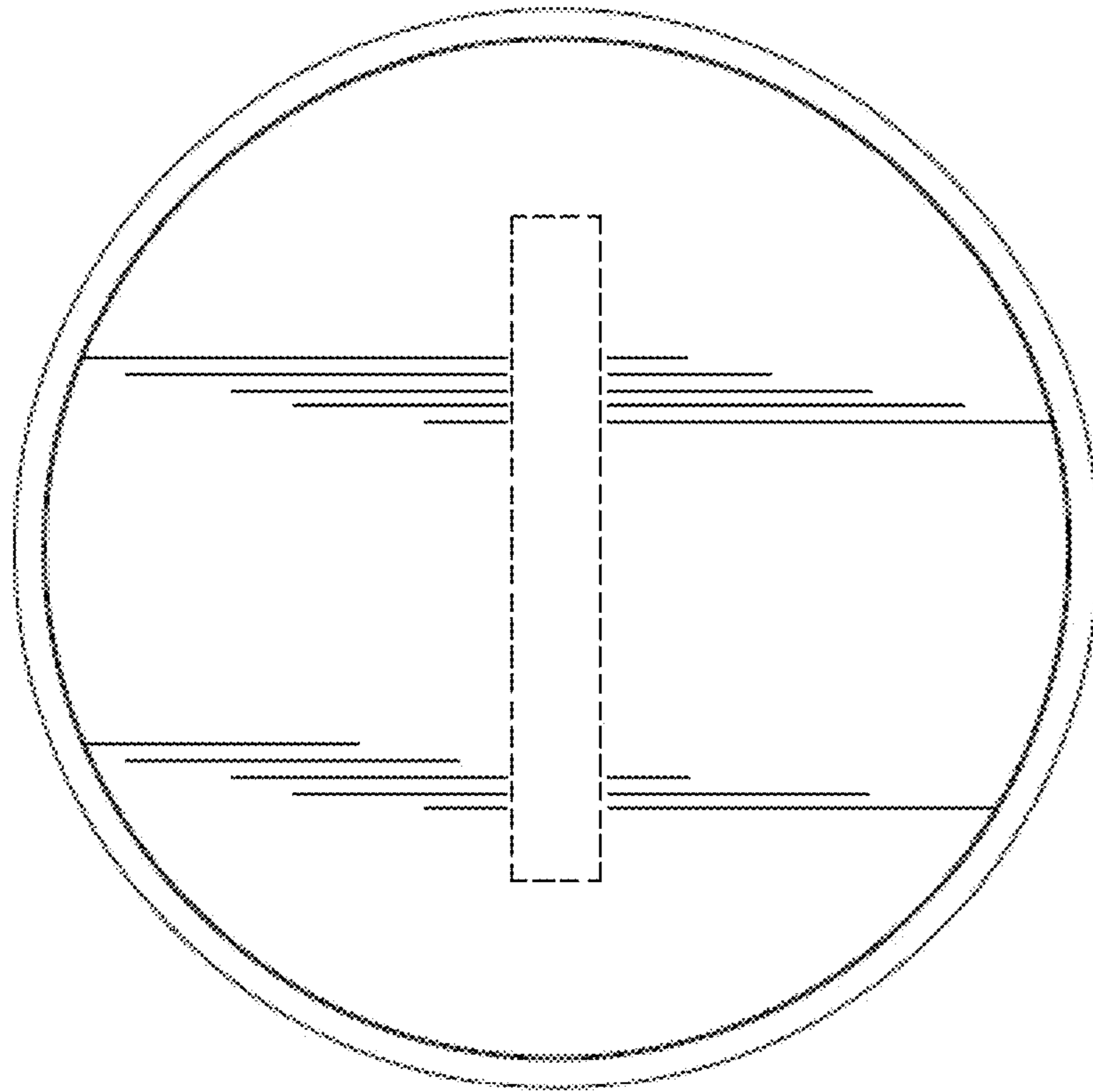


FIG. 3

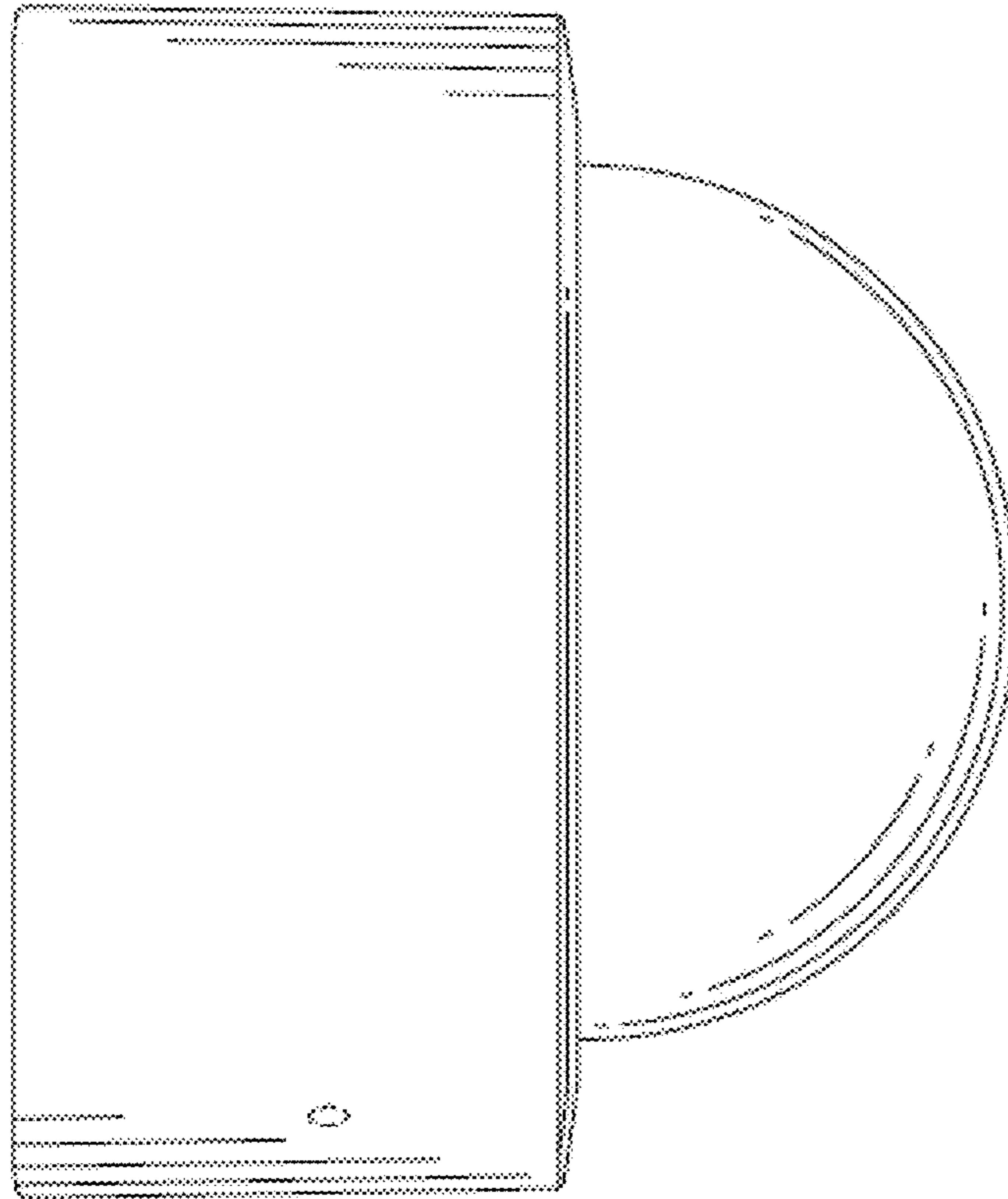


FIG. 4

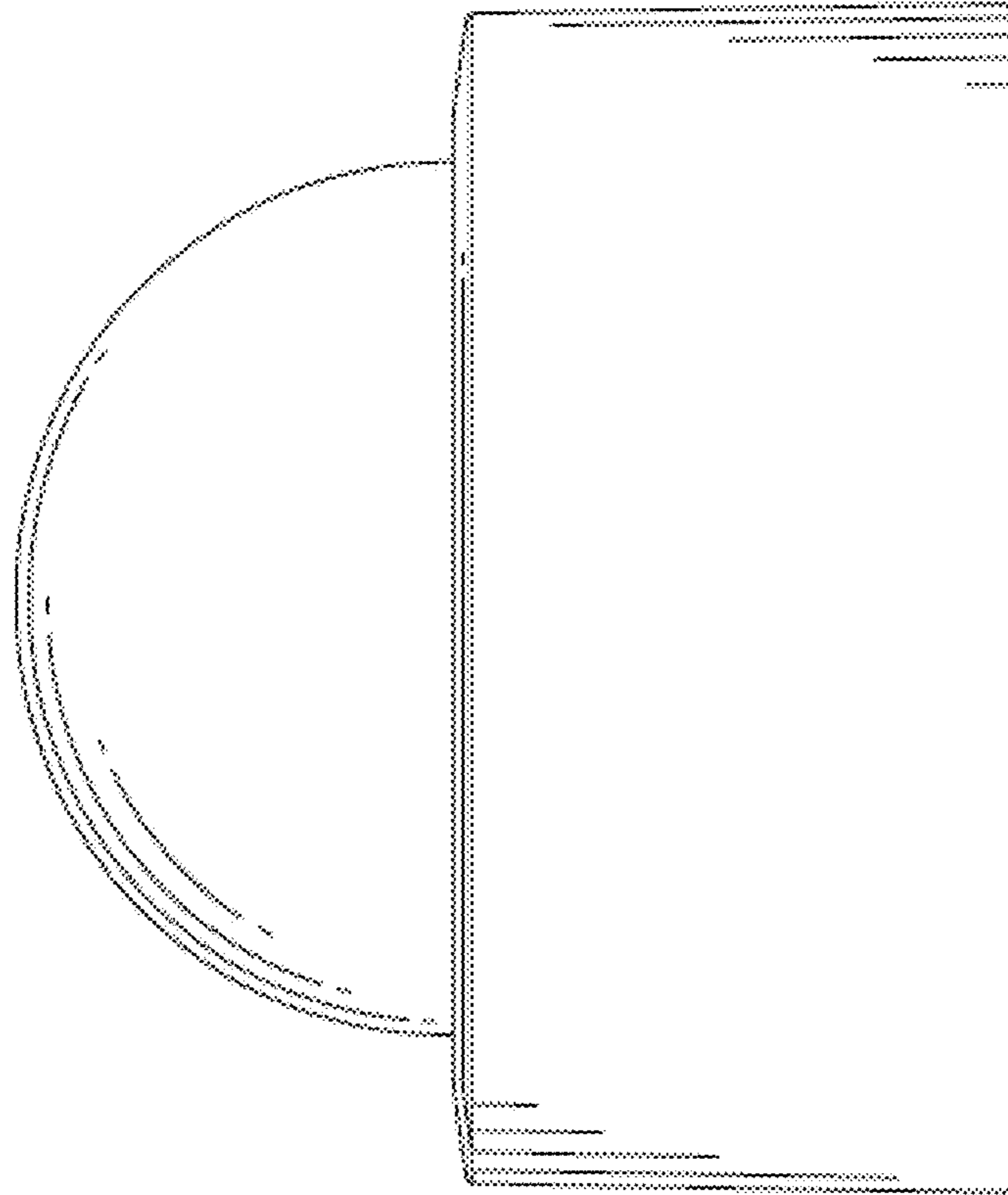


FIG. 5

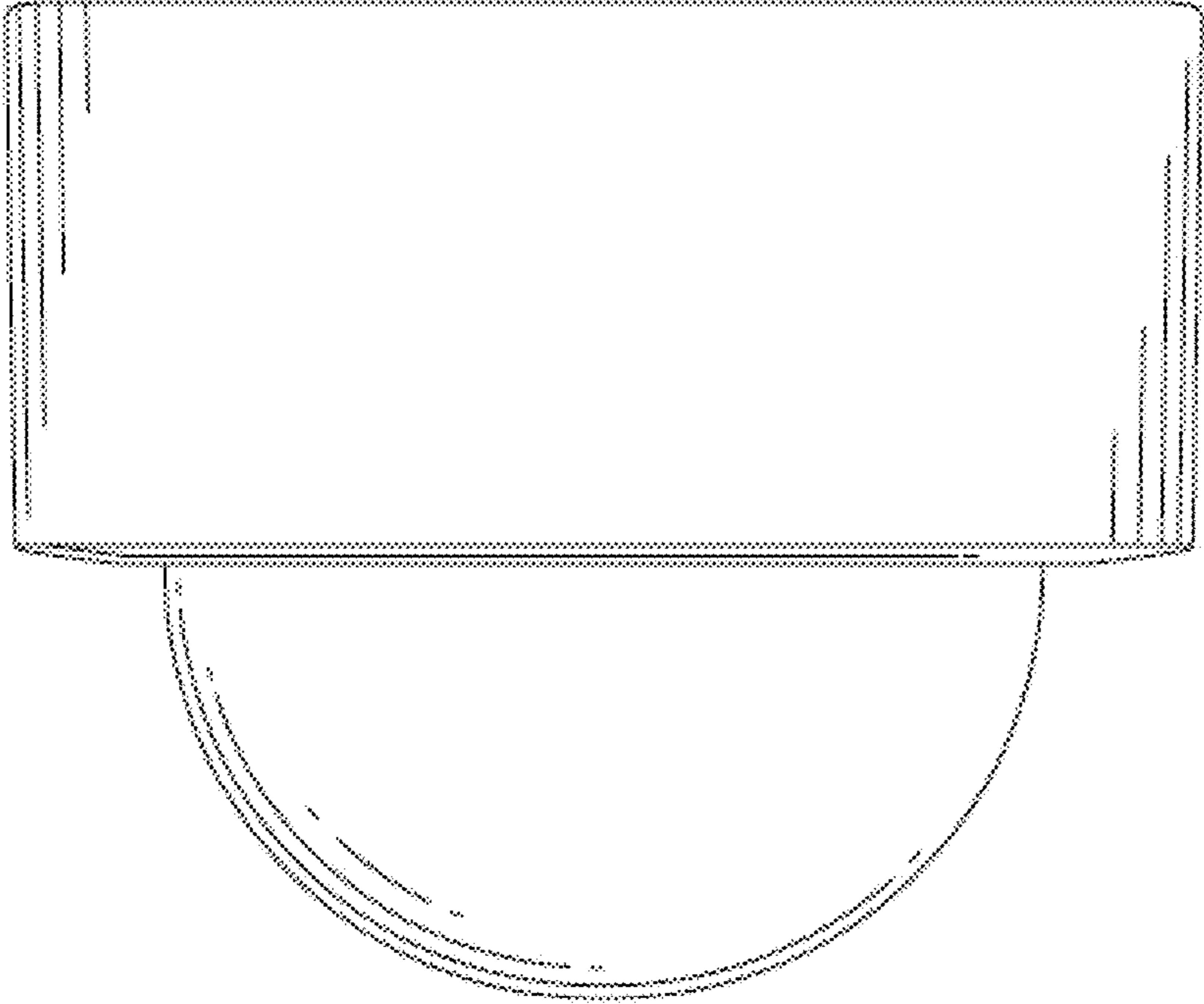


FIG. 6

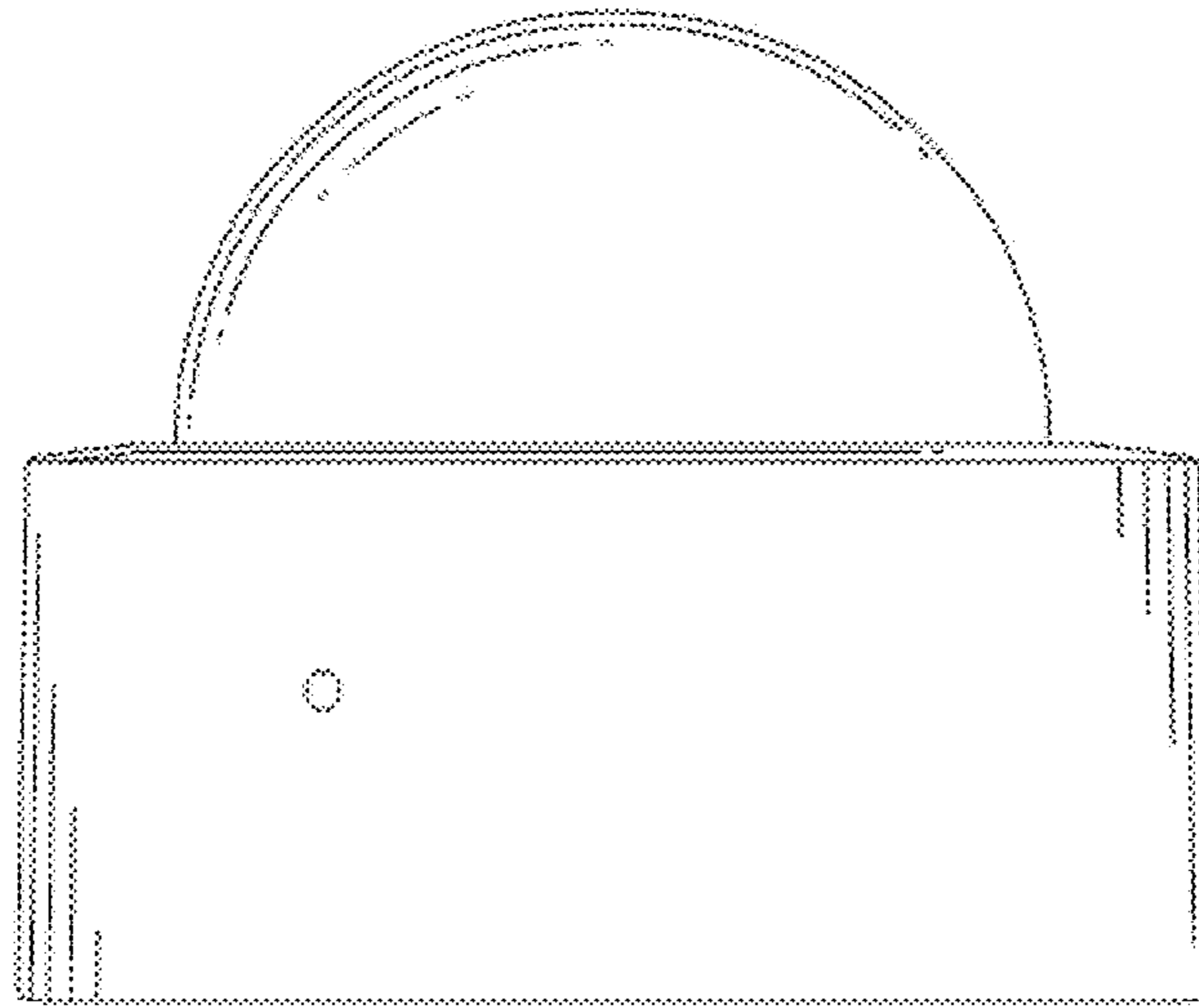


FIG. 7