



US00D788606S

(12) **United States Design Patent**
Cummings

(10) **Patent No.:** **US D788,606 S**

(45) **Date of Patent:** **** Jun. 6, 2017**

(54) **DEPTH GAUGE**

(71) Applicant: **John Cummings**, South Elgin, IL (US)

(72) Inventor: **John Cummings**, South Elgin, IL (US)

(73) Assignee: **Nomis LLC**, Palatine, IL (US)

(**) Term: **15 Years**

(21) Appl. No.: **29/560,705**

(22) Filed: **Apr. 8, 2016**

(51) **LOC (10) Cl.** **10-04**

(52) **U.S. Cl.**
USPC **D10/65**

(58) **Field of Classification Search**
USPC D10/65
CPC G01B 3/22; G01B 3/28; G01B 21/18
See application file for complete search history.

(56) **References Cited**

U.S. PATENT DOCUMENTS

7,000,331 B2	2/2006	Kennedy	
D596,054 S *	7/2009	Nieto	D10/64
D637,505 S *	5/2011	Adkins	D10/65
2007/0163408 A1 *	7/2007	Buck	B27G 19/02 83/438

FOREIGN PATENT DOCUMENTS

GB 2386085 B 2/2004

OTHER PUBLICATIONS

Trend Router Depth Gauge—Metric/Imperial; Router Depth Gauge—metric/imperial; 2 pages printed from the internet; date last visited Jul. 8, 2016; http://www.trend-uk.com/en/US/product/U*GAUGE_1/2/7/router_depth_gauge_metricim... Jul. 8, 2016.
Multi-Max Shop Gauge—Peachtree Woodworking Supply; Multi-Max Shop Gauge; 2 pages printed from the internet; date last visited Jul. 8, 2016; http://www.ptreeusa.com/multi_max.htm.

* cited by examiner

Primary Examiner — Antoine D Davis

(74) *Attorney, Agent, or Firm* — Reinhart Boerner Van Deuren P.C.

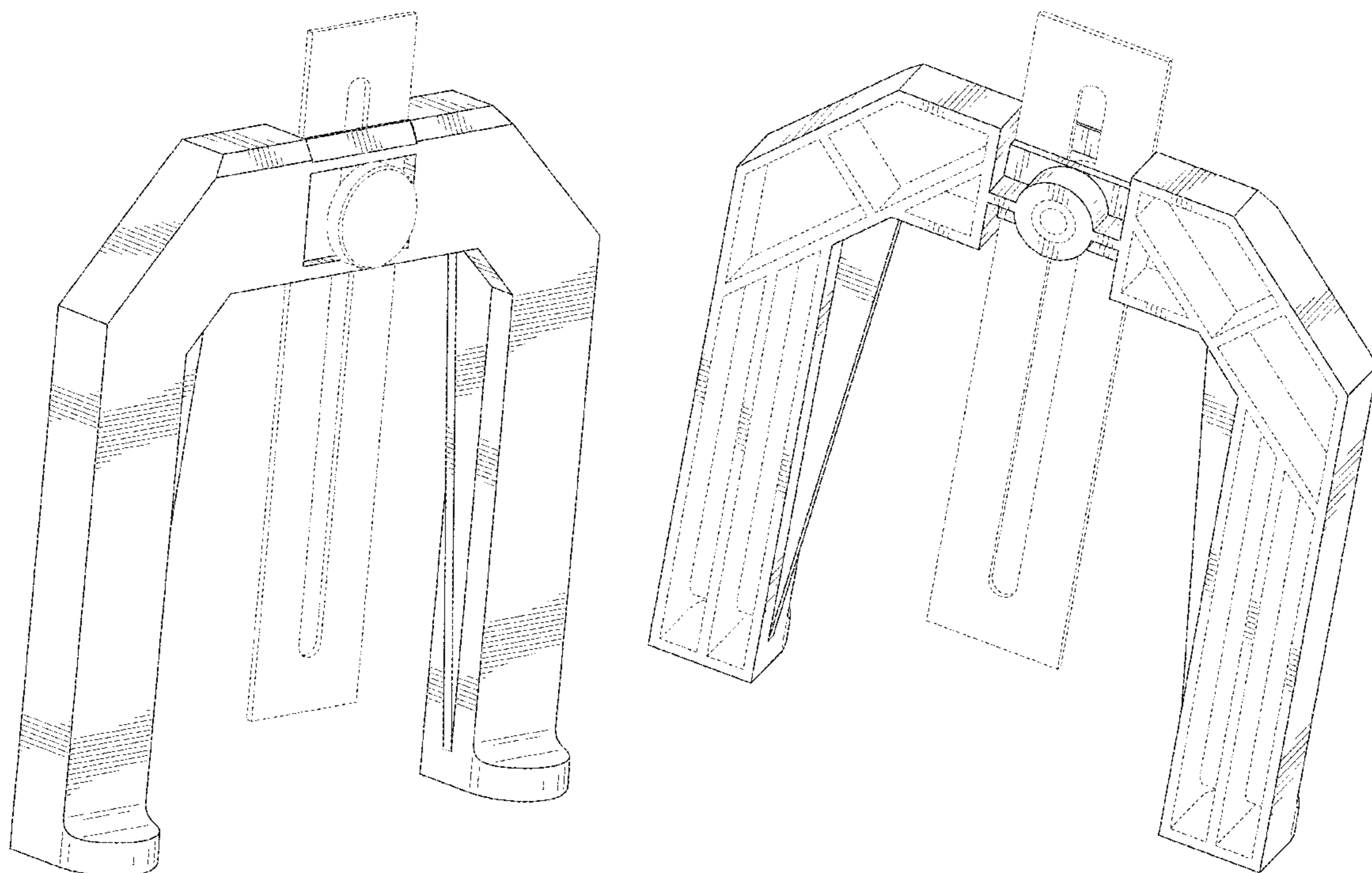
(57) **CLAIM**

I claim the ornamental design for the depth gauge, as shown and described.

DESCRIPTION

FIG. 1 is a perspective view of the depth gauge; FIG. 2 is a perspective view of the depth gauge; FIG. 3 is a front view of the depth gauge; FIG. 4 is a back view of the depth gauge; FIG. 5 is a side view of the depth gauge; FIG. 6 is a side view of the depth gauge showing the side opposite that shown in FIG. 5; FIG. 7 is a top view of the depth gauge; and, FIG. 8 is a bottom view of the depth gauge. The ornamental design which is claimed is shown in solid lines in the drawings. Broken lines form no part of the claimed design. The dashed lines shown in the drawings illustrate general environmental features.

1 Claim, 6 Drawing Sheets



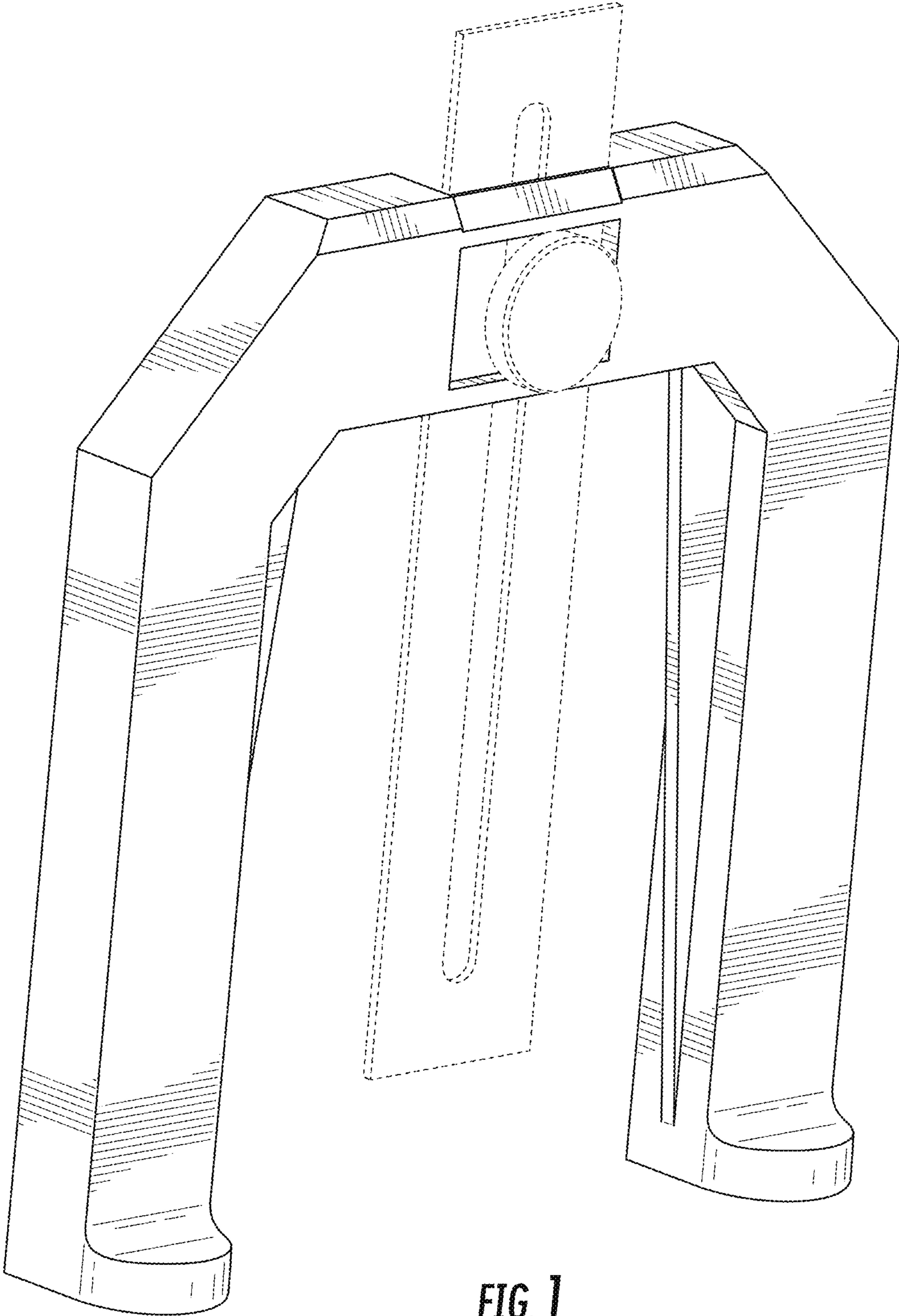


FIG. 1

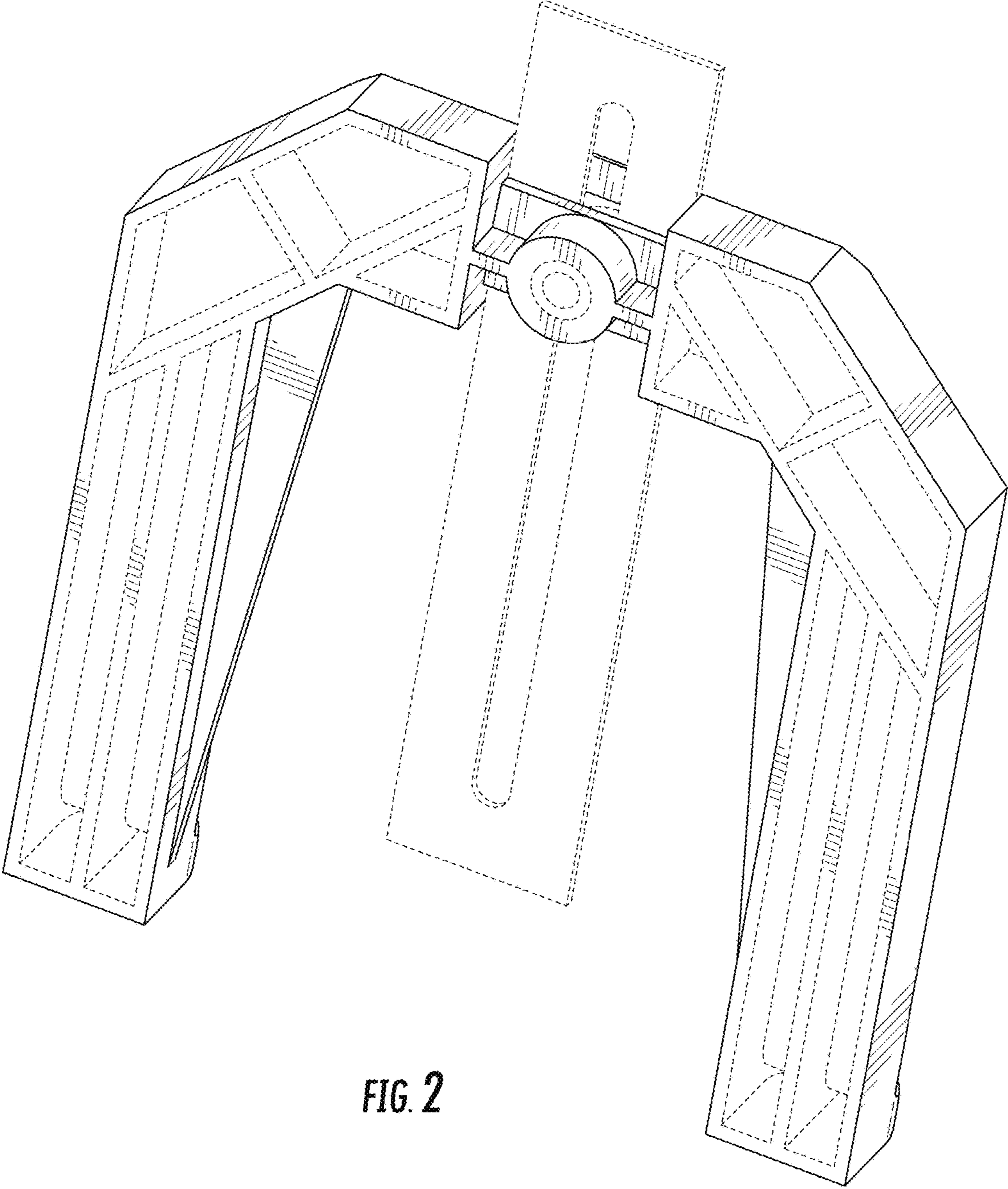


FIG. 2

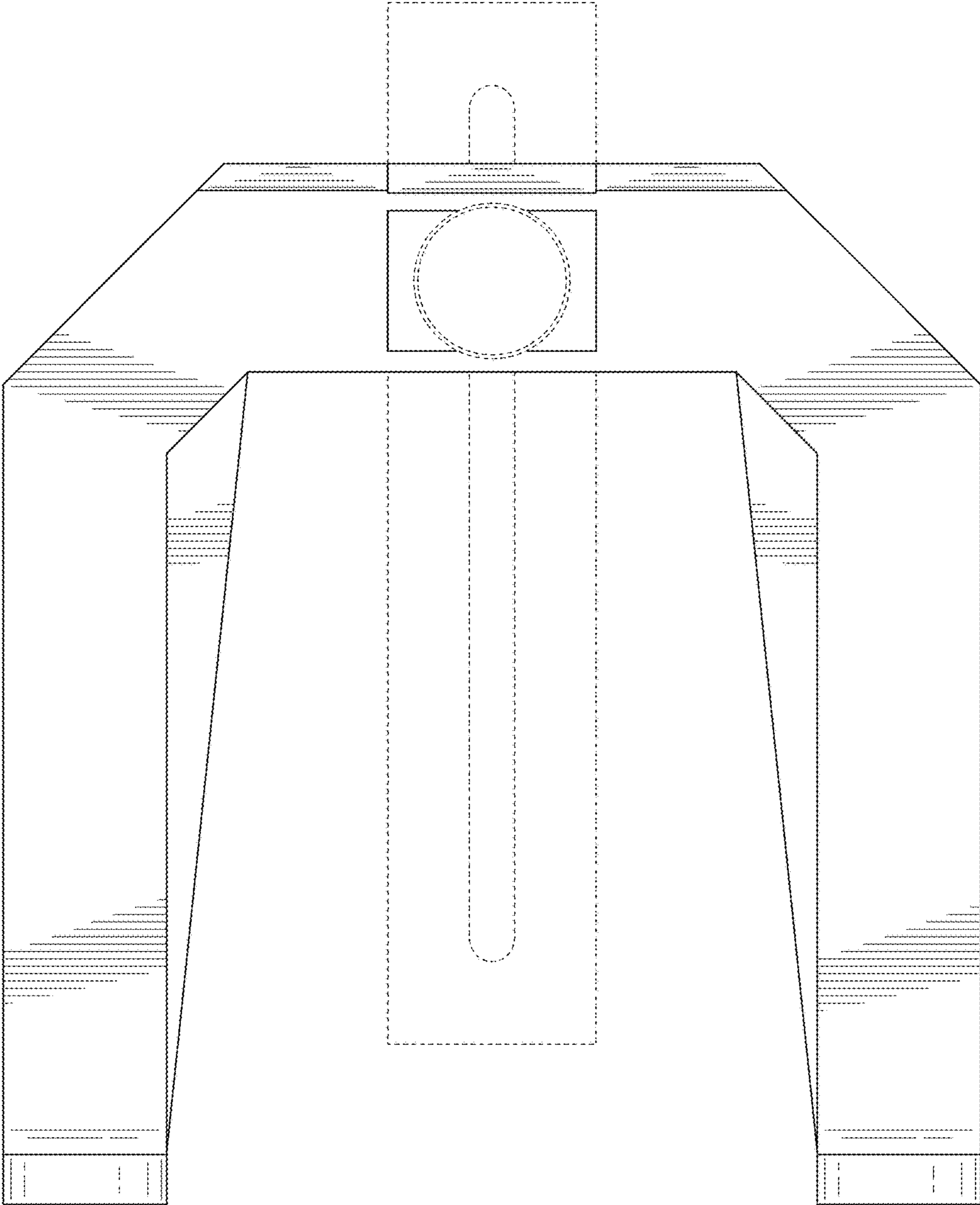


FIG. 3

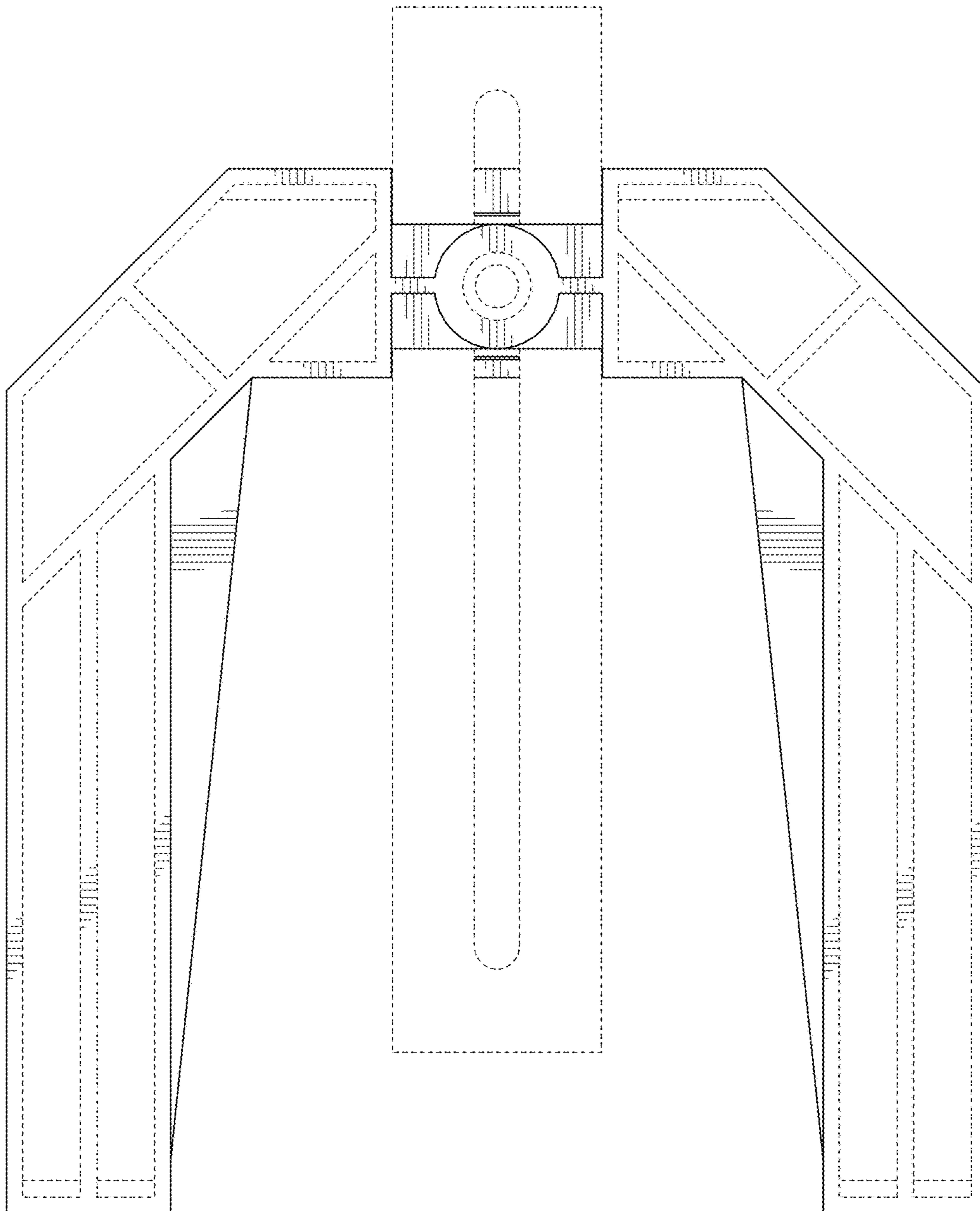


FIG. 4

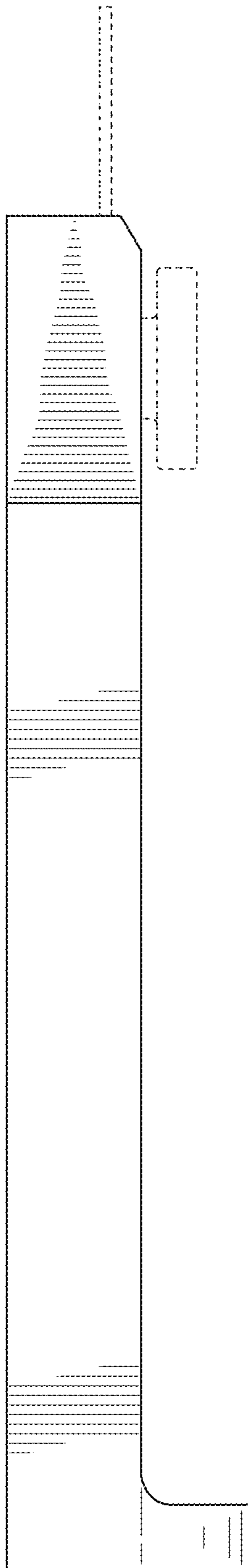


FIG. 5

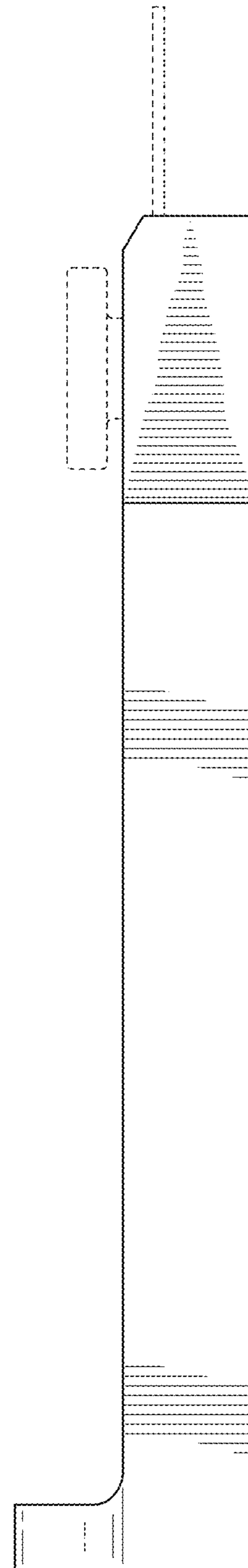


FIG. 6

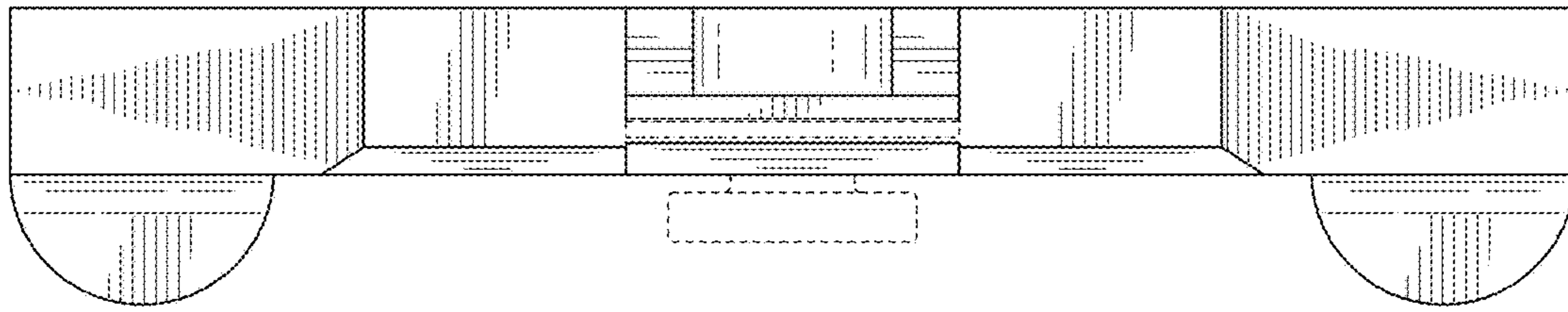


FIG. 7

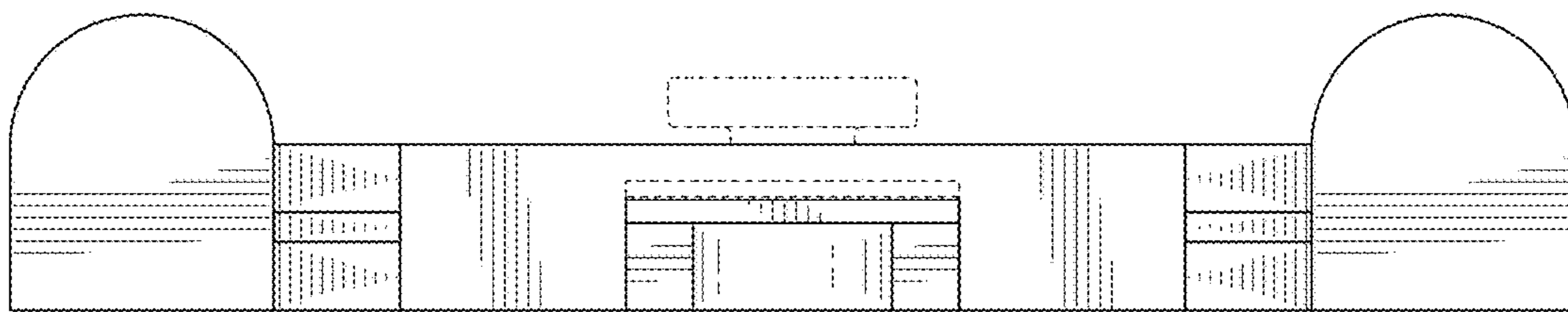


FIG. 8