



US00D788601S

(12) **United States Design Patent** (10) **Patent No.:** **US D788,601 S**
Mühlemann (45) **Date of Patent:** **** Jun. 6, 2017**

(54) **EGG BOX**
(71) Applicant: **FOSTAG AG**, Stein am Rhein (CH)
(72) Inventor: **Rolf Mühlemann**, Schlattingen (CH)
(**) Term: **15 Years**
(21) Appl. No.: **35/500,530**
(22) Filed: **Sep. 29, 2015**
(80) **Hague Agreement Data**
Int. Filing Date: **Sep. 29, 2015**
Int. Reg. No.: **DM/088971**
Int. Reg. Date: **Sep. 29, 2015**
Int. Reg. Pub. Date: **Jan. 29, 2016**
(51) **LOC (10) Cl.** **09-03**
(52) **U.S. Cl.**
USPC **D9/762**
(58) **Field of Classification Search**
USPC **D9/762, 757, 456; 294/26.5; 206/521.1,**
206/3; 220/4.22

1.3 : Left
1.4 : Front
1.5 : Right
1.6 : Back
1.7 : Perspective
1.8 : Bottom
1.9 : Perspective
1.10 : Top
1.11 : Left
1.12 : Front
1.13 : Right
1.14 : Back
1.15 : Perspective
1.16 : Bottom
2.1 : Perspective
2.2 : Top
2.3 : Left
2.4 : Front
2.5 : Right
2.6 : Back
2.7 : Perspective
2.8 : Bottom
2.9 : Perspective
2.10 : Top
2.11 : Left
2.12 : Front
2.13 : Right
2.14 : Back
2.15 : Perspective
2.16 : Bottom
3.1 : Perspective
3.2 : Top
3.3 : Left
3.4 : Front
3.5 : Right
3.6 : Back
3.7 : Perspective
3.8 : Bottom
3.9 : Perspective
3.10 : Top
3.11 : Left
3.12 : Front
3.13 : Right
3.14 : Back

(Continued)

(56) **References Cited**
U.S. PATENT DOCUMENTS
D514,954 S * 2/2006 Kim D9/757
D525,535 S * 7/2006 Rathbone D9/757
(Continued)

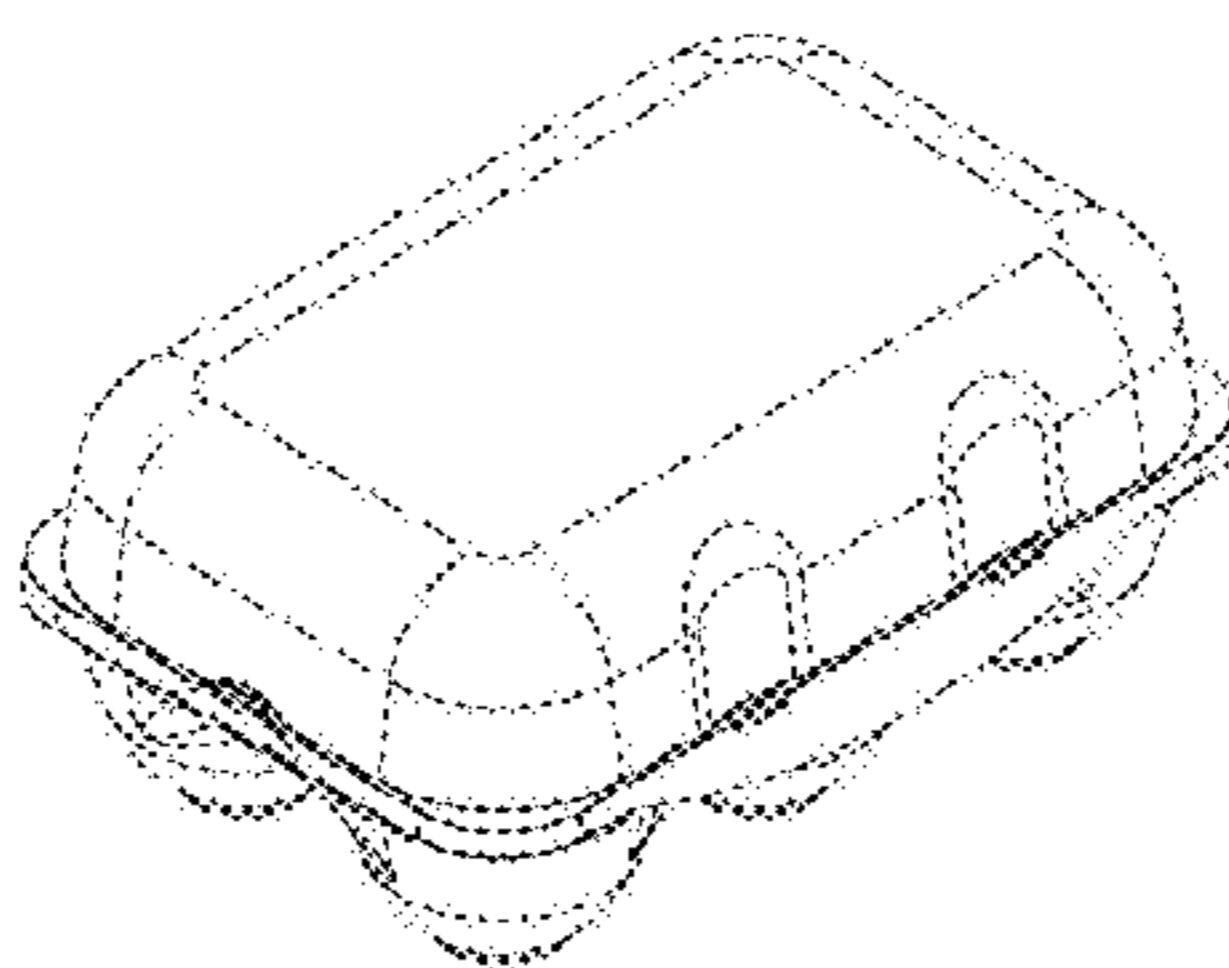
Primary Examiner — Rhea Shields

(57) **CLAIM**
The ornamental design for an egg box, as shown and described.

DESCRIPTION

1.-3. Egg Box
1.1 : Perspective
1.2 : Top

(Continued)



3.15 : Perspective

3.16 : Bottom

1 Claim, 48 Drawing Sheets

(58) Field of Classification Search

CPC A47J 43/20; B65D 85/32; F42B 39/26

See application file for complete search history.

(56)

References Cited

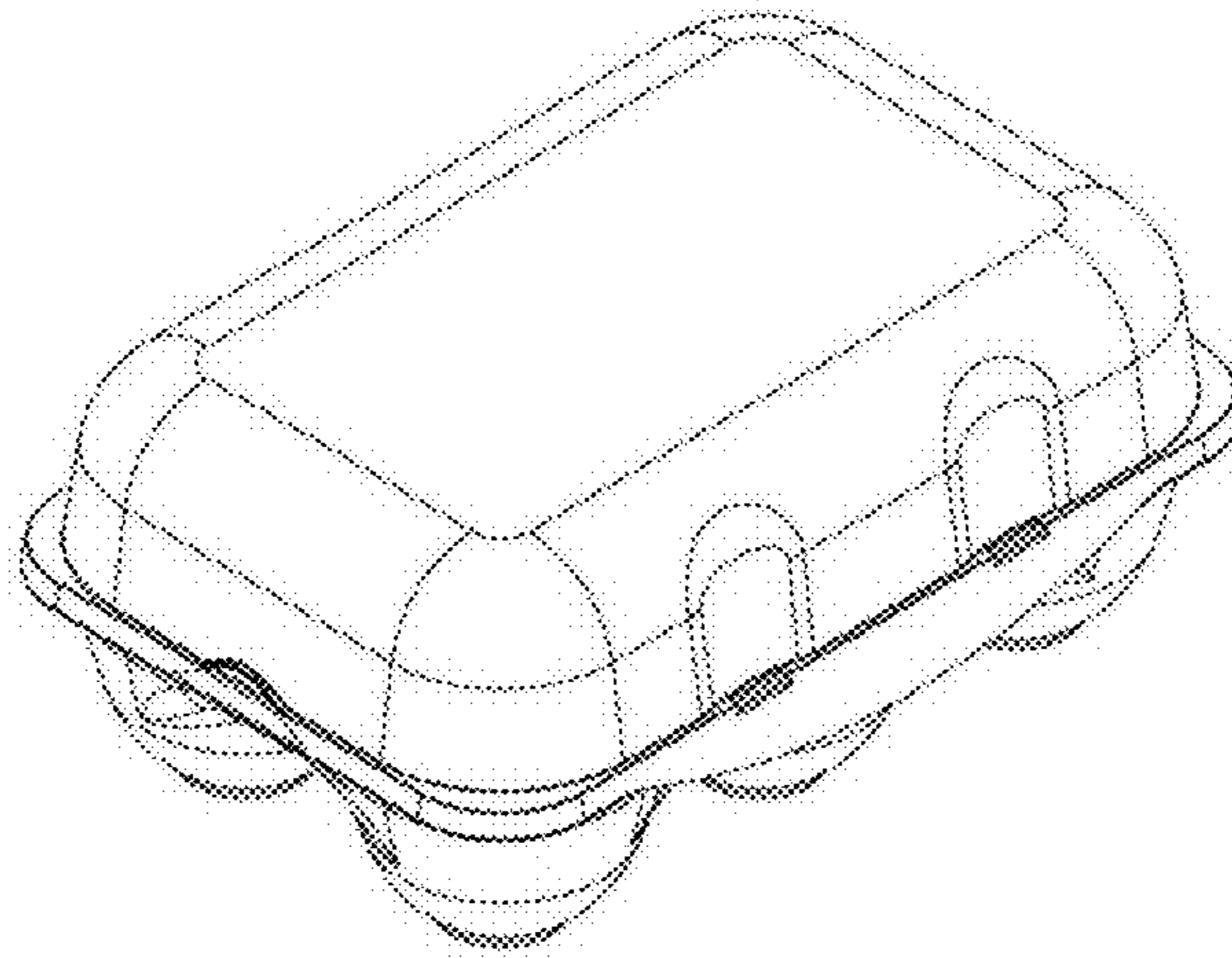
U.S. PATENT DOCUMENTS

D626,014 S * 10/2010 Fosse D9/757
 D632,974 S * 2/2011 Dijkstra D9/757
 D632,975 S * 2/2011 Dijkstra D9/757
 D632,976 S * 2/2011 Dijkstra D9/757
 D632,977 S * 2/2011 Dijkstra D9/757
 D656,843 S * 4/2012 Schleining D9/757

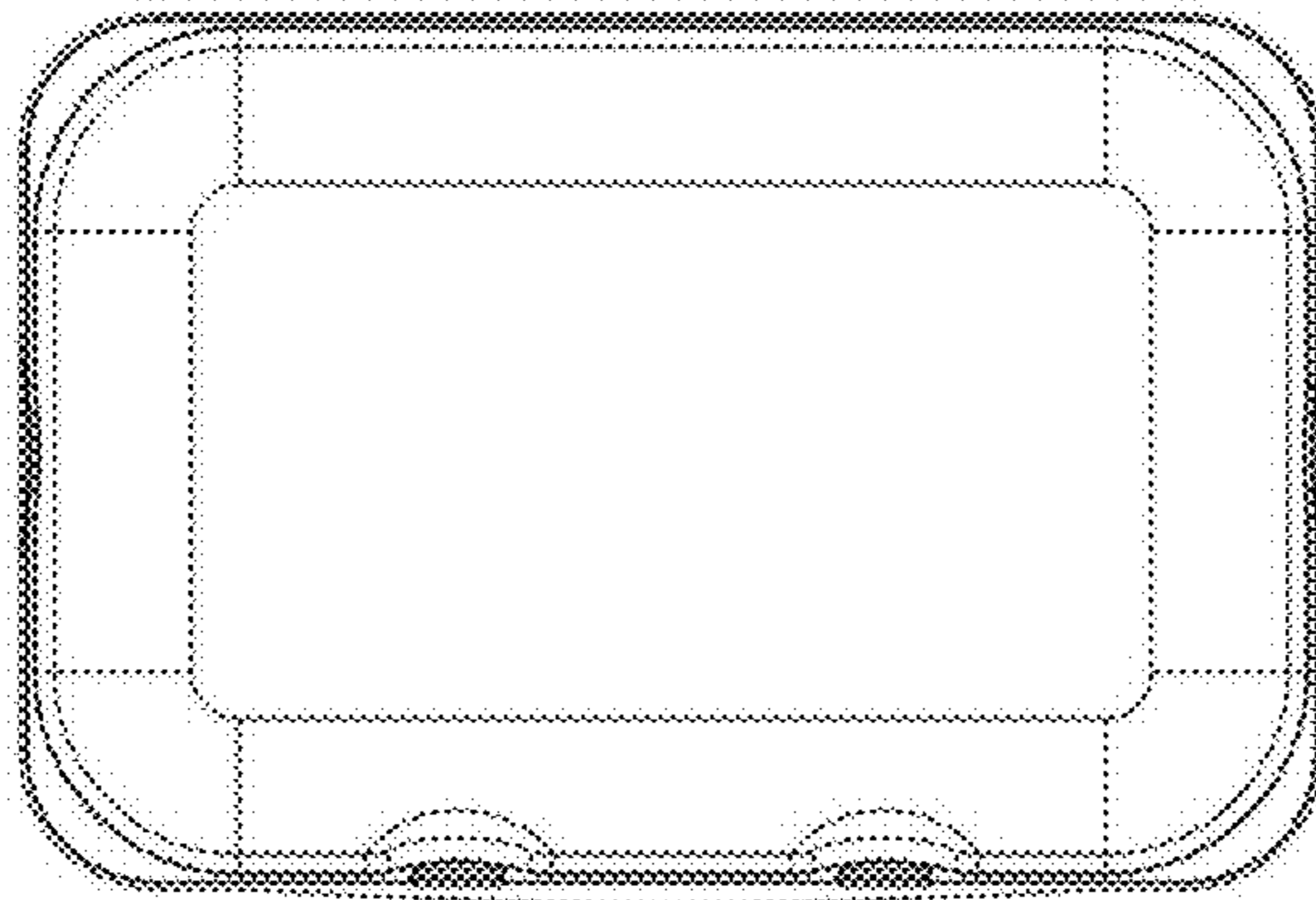
D659,551 S * 5/2012 Ramirez D9/757
 D682,120 S * 5/2013 Attard D9/757
 D685,273 S * 7/2013 Bodmer D9/757
 D689,376 S * 9/2013 Von der Ahe D9/757
 D694,126 S * 11/2013 Blanchette D9/757
 D695,137 S * 12/2013 Buckley D9/757
 D700,053 S * 2/2014 Chudleigh D9/456
 8,661,969 B2 * 3/2014 Ewald A47J 43/20
 294/26.5
 D716,153 S * 10/2014 Bodmer D9/757
 8,863,955 B2 * 10/2014 St-Onge B65D 85/32
 206/521.1
 D719,849 S * 12/2014 Buckley D9/757
 9,027,780 B2 * 5/2015 Attard B65D 85/32
 220/4.22
 9,038,817 B2 * 5/2015 Connolly F42B 39/26
 206/3
 D732,401 S * 6/2015 Blanchette D9/757
 D735,585 S * 8/2015 Tayara D9/757
 D739,767 S * 9/2015 Schleining D9/757

* cited by examiner

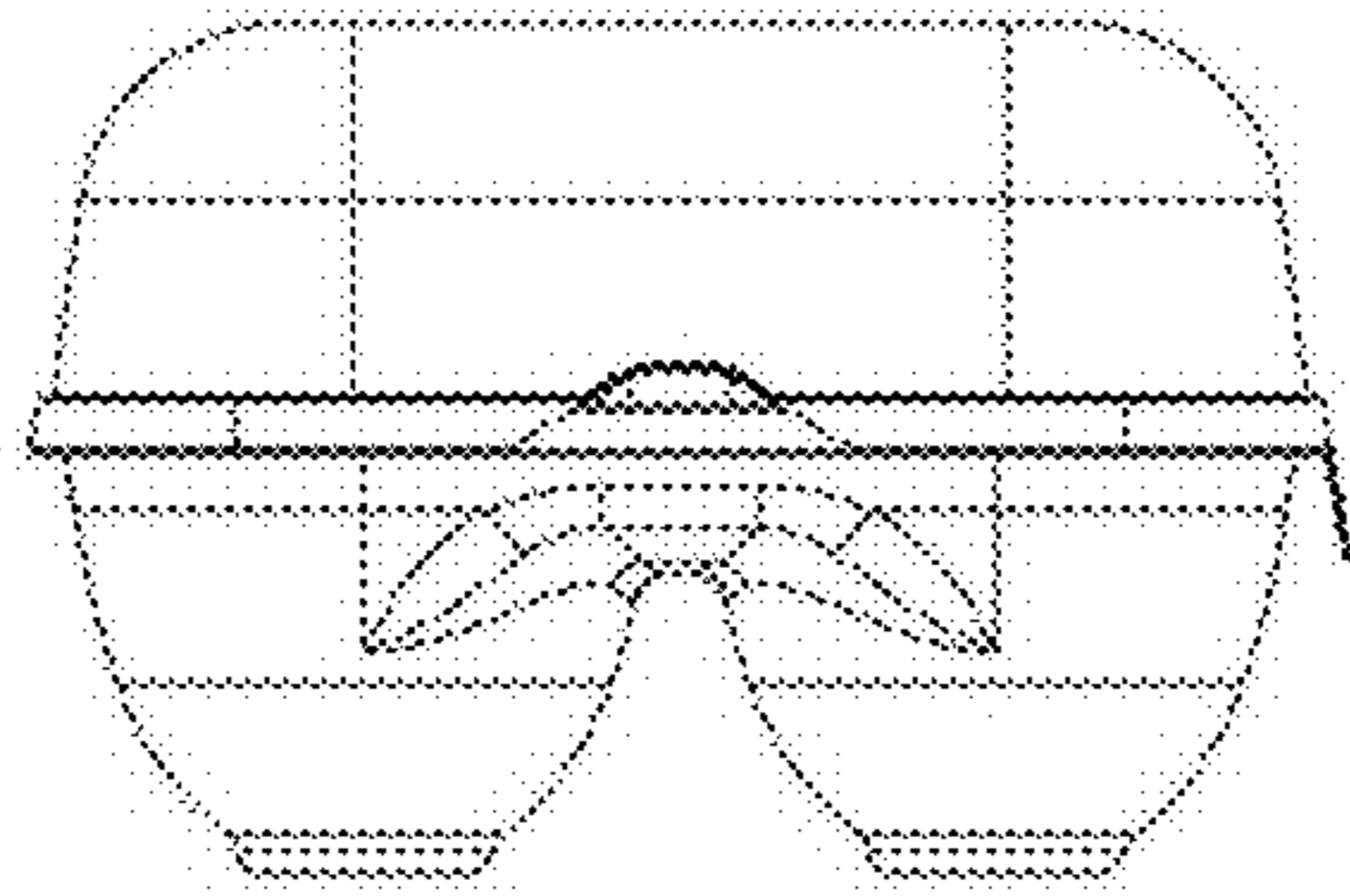
1.1



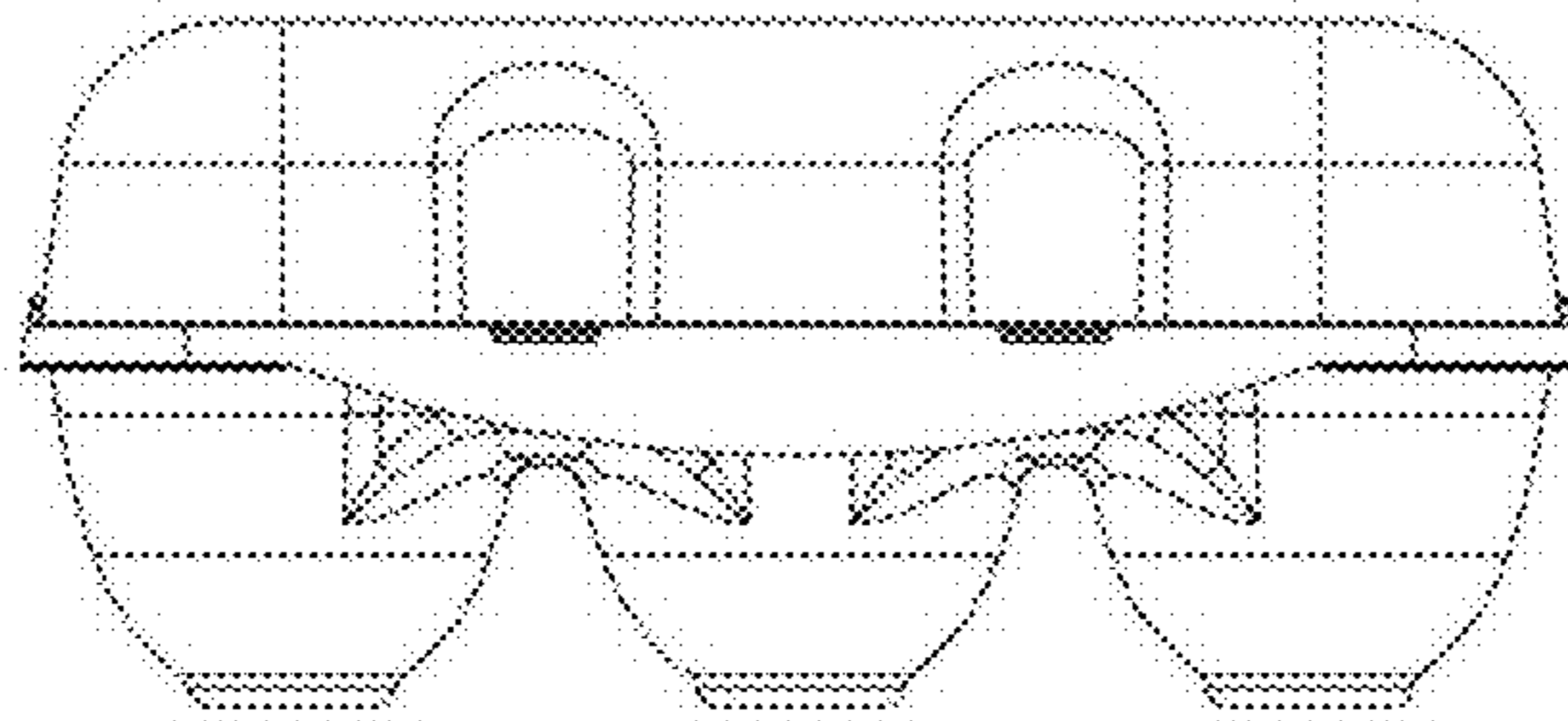
1.2



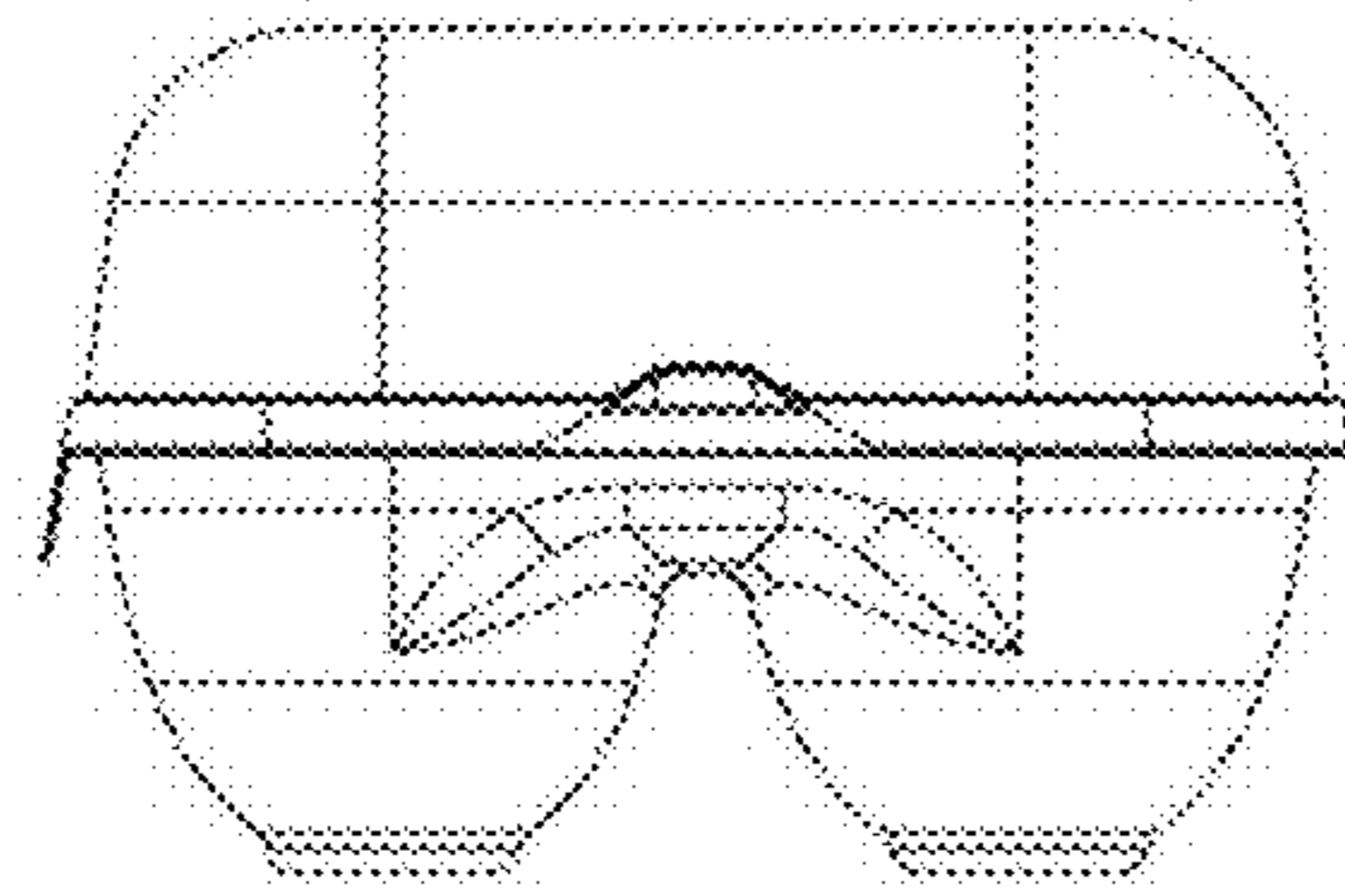
1.3



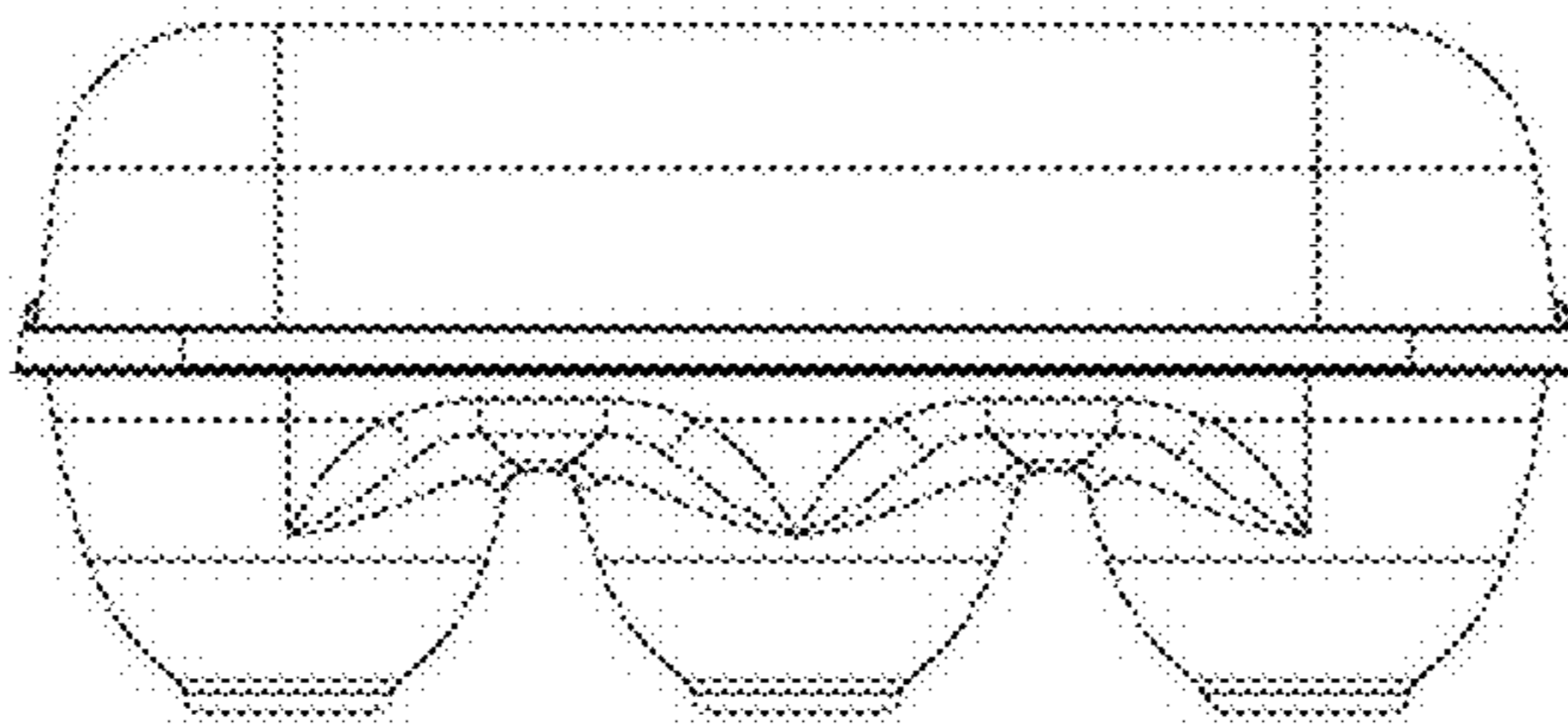
1.4



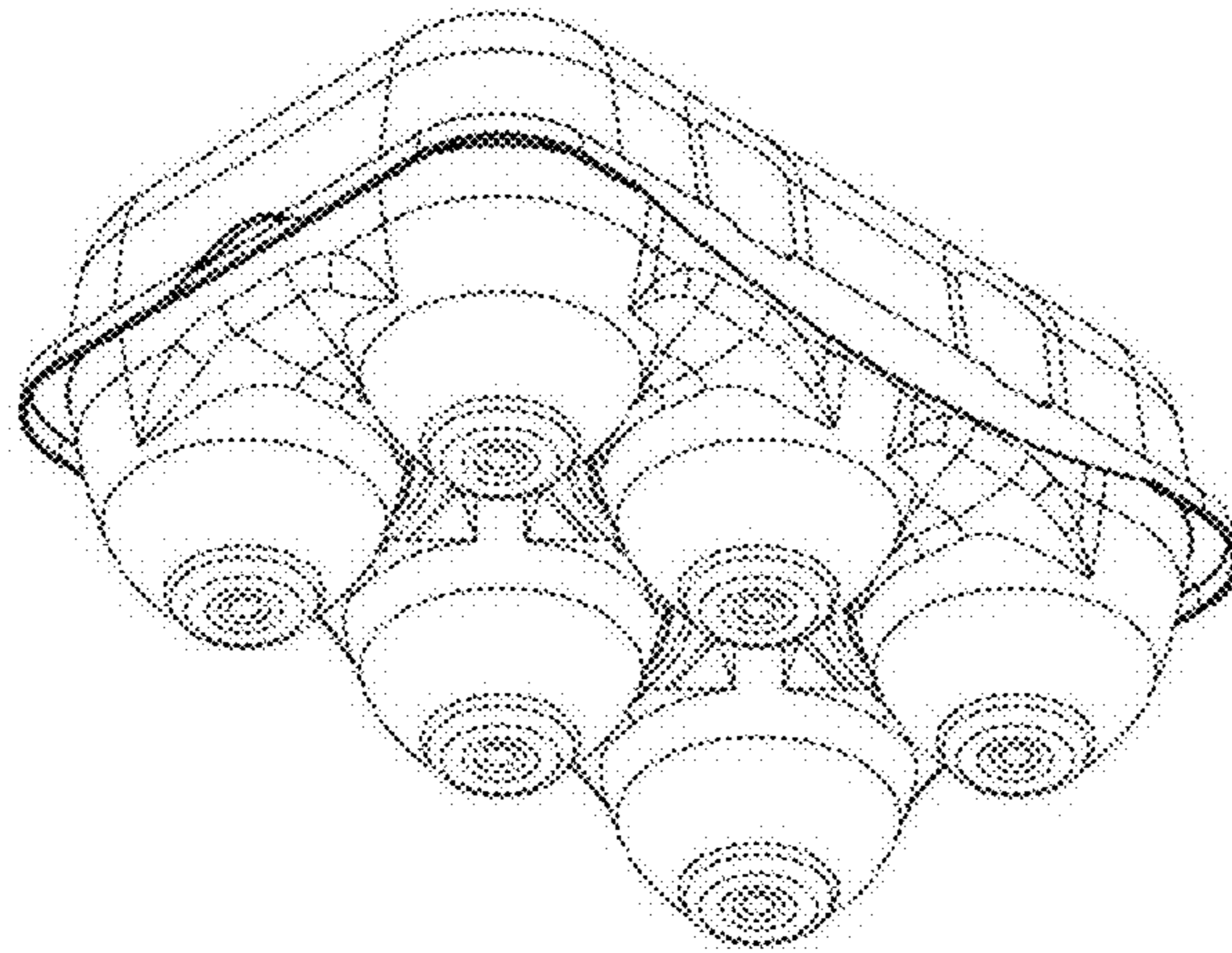
1.5



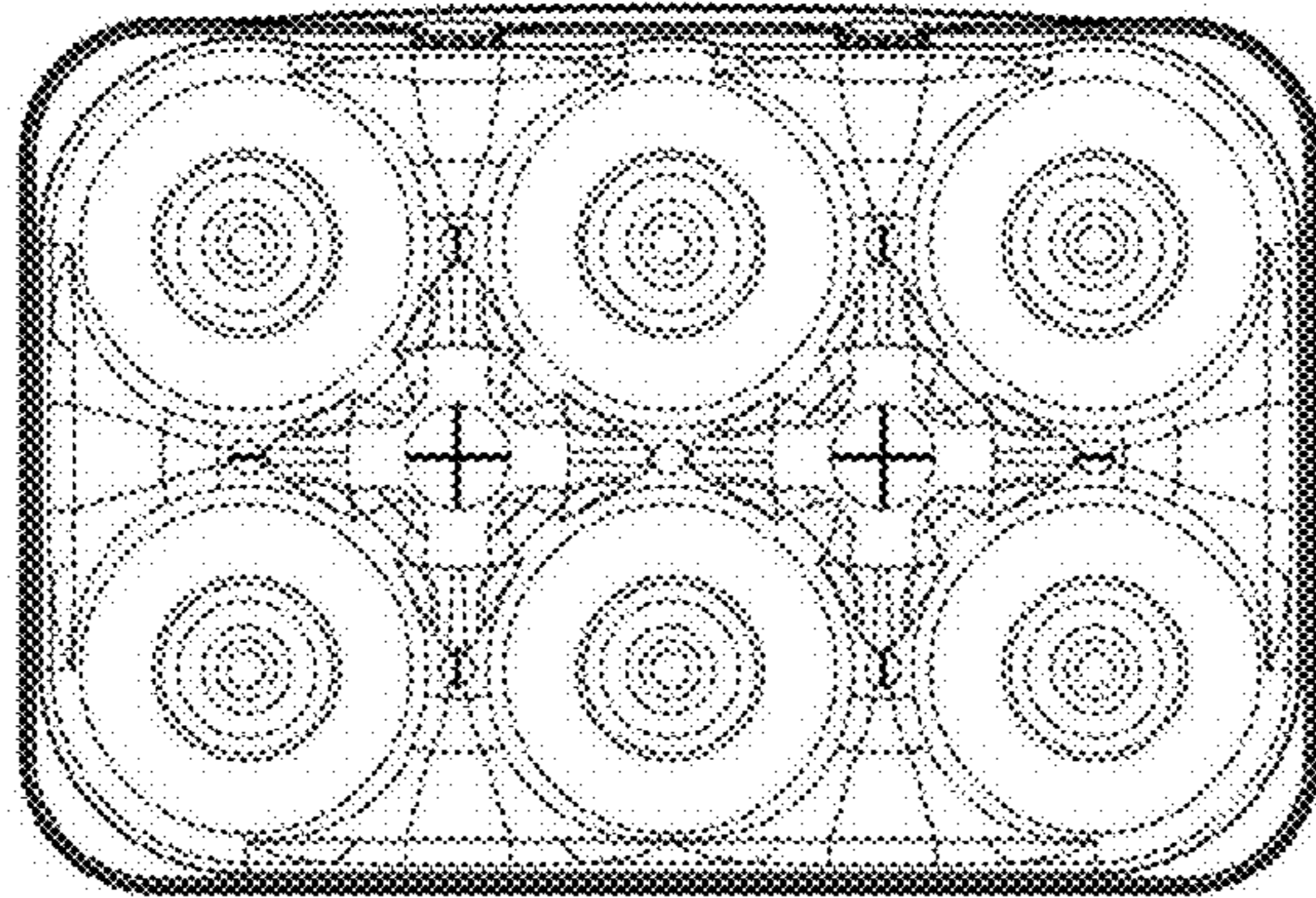
1.6



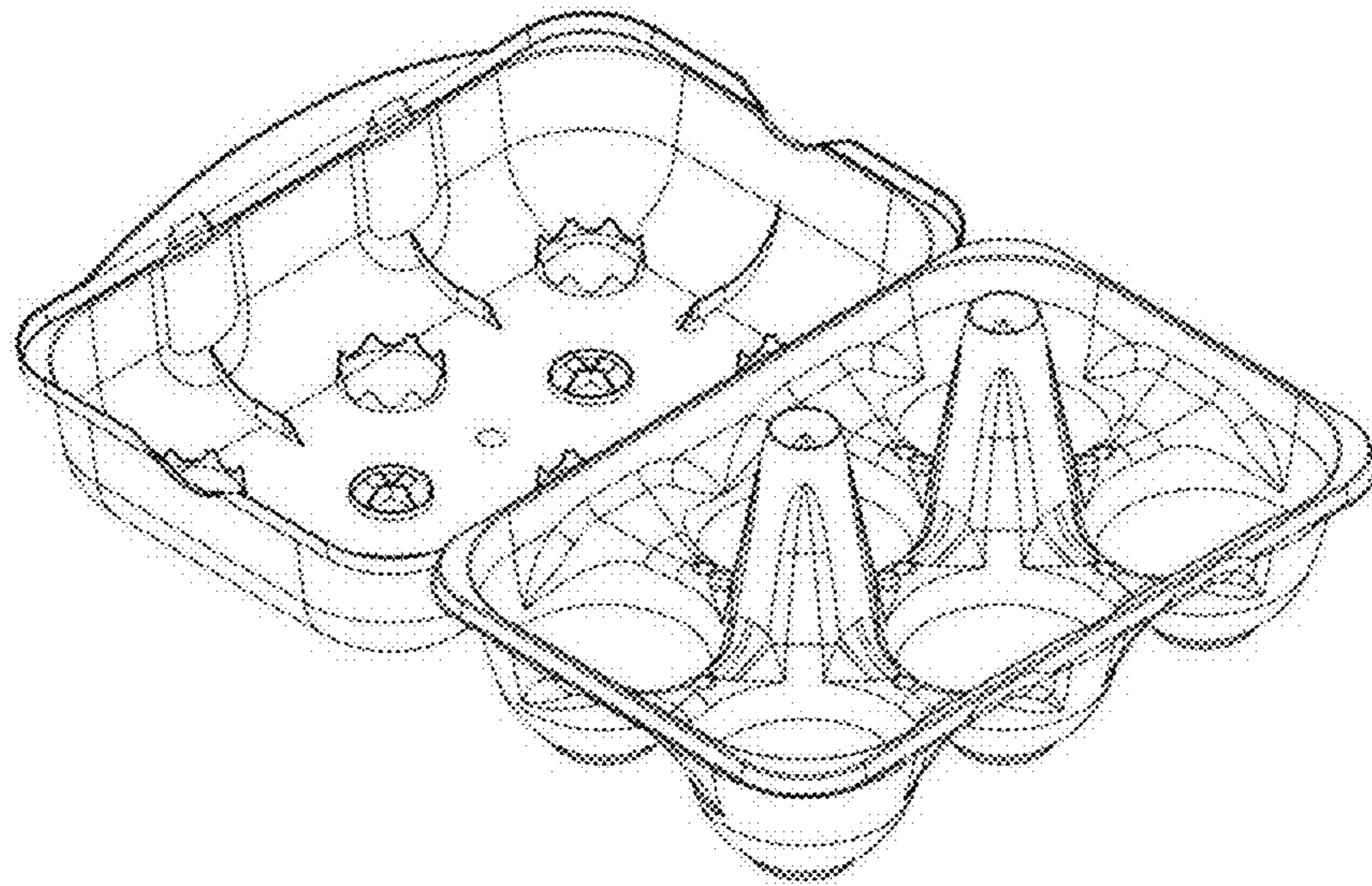
1.7



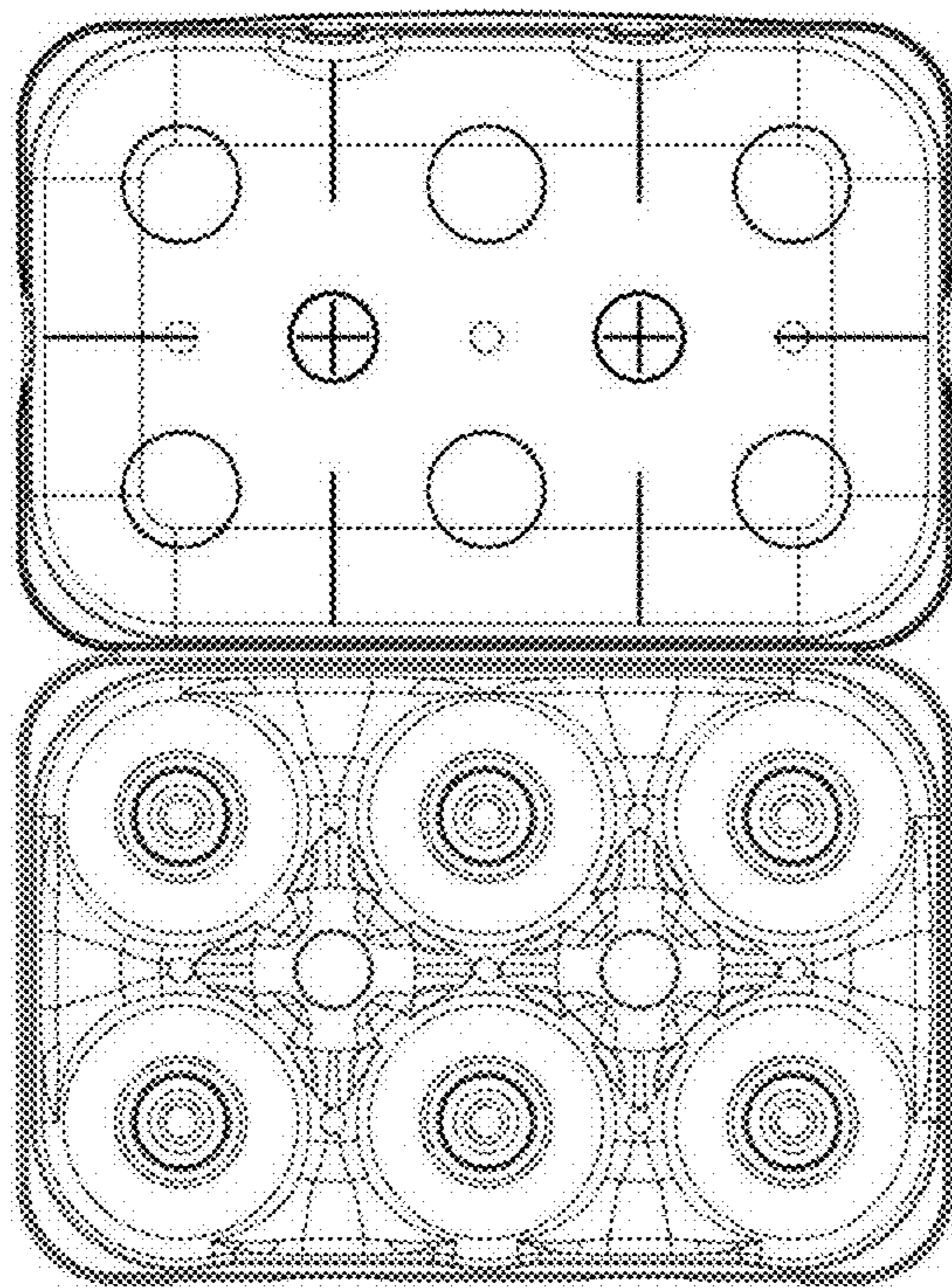
1.8



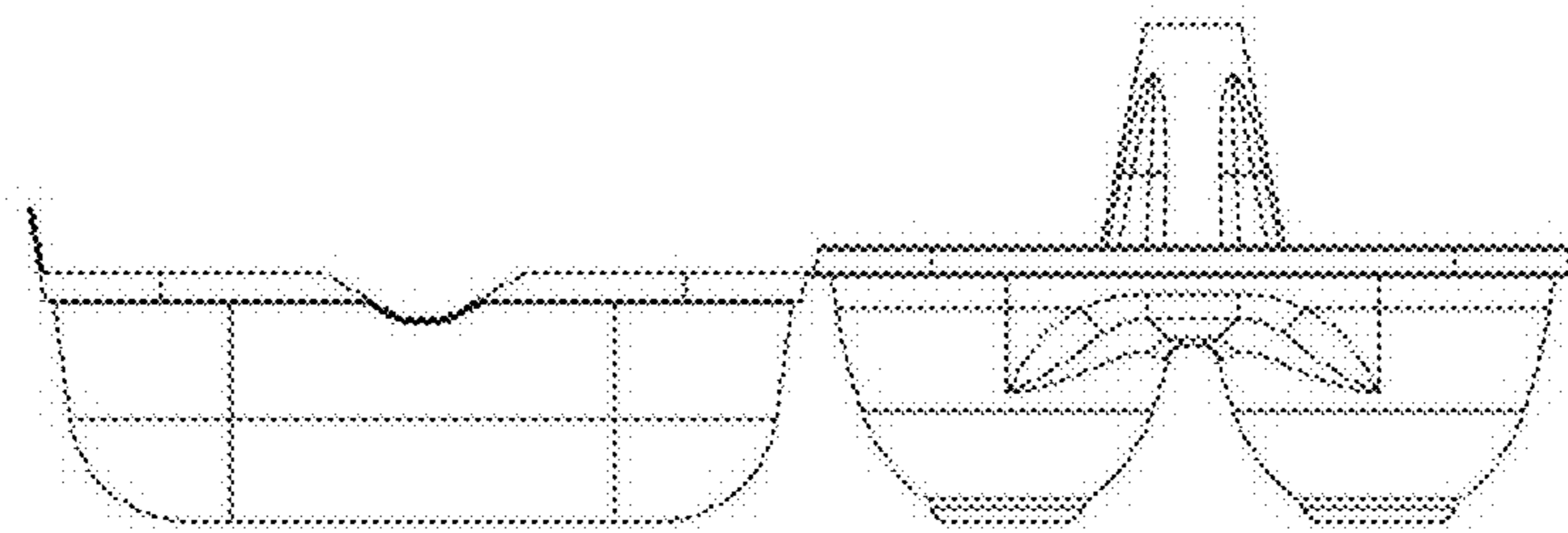
1.9



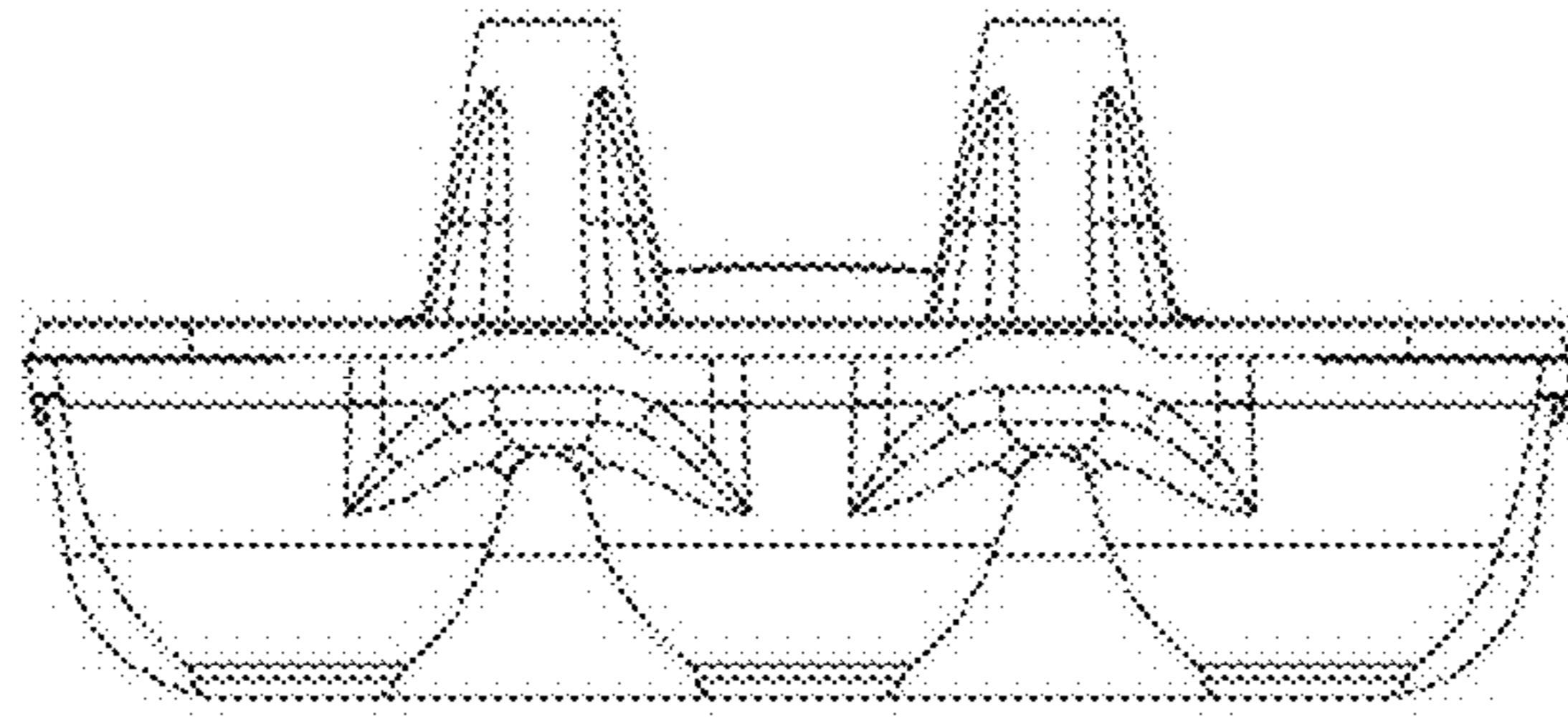
1.10



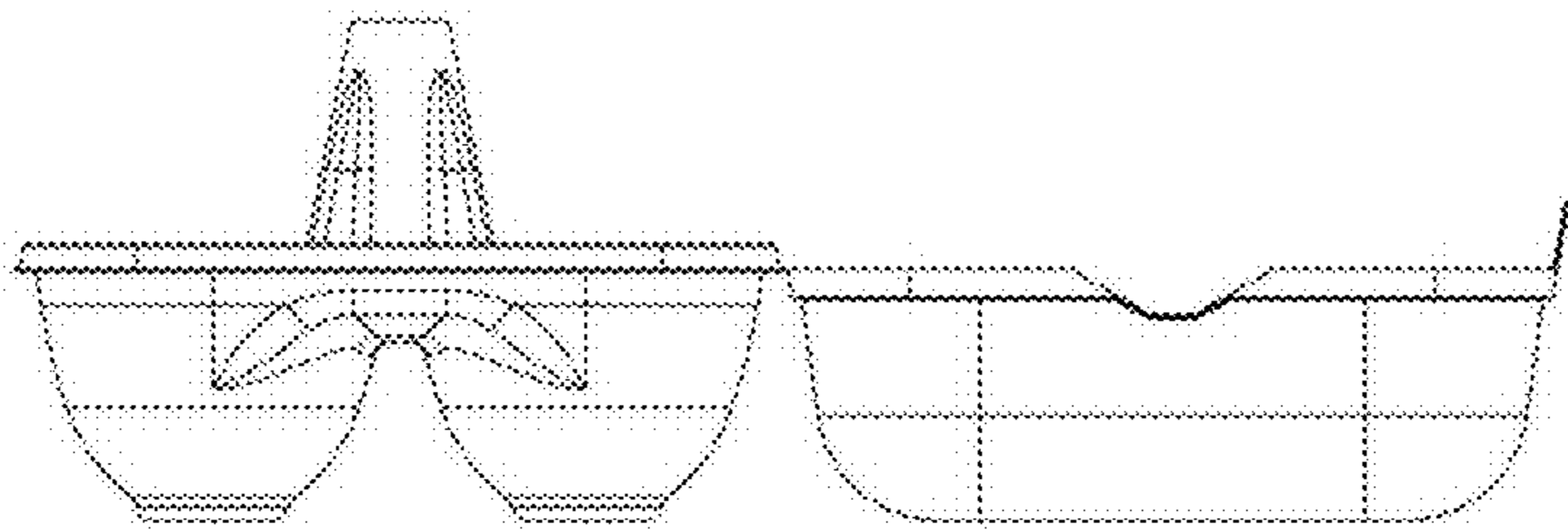
1.11



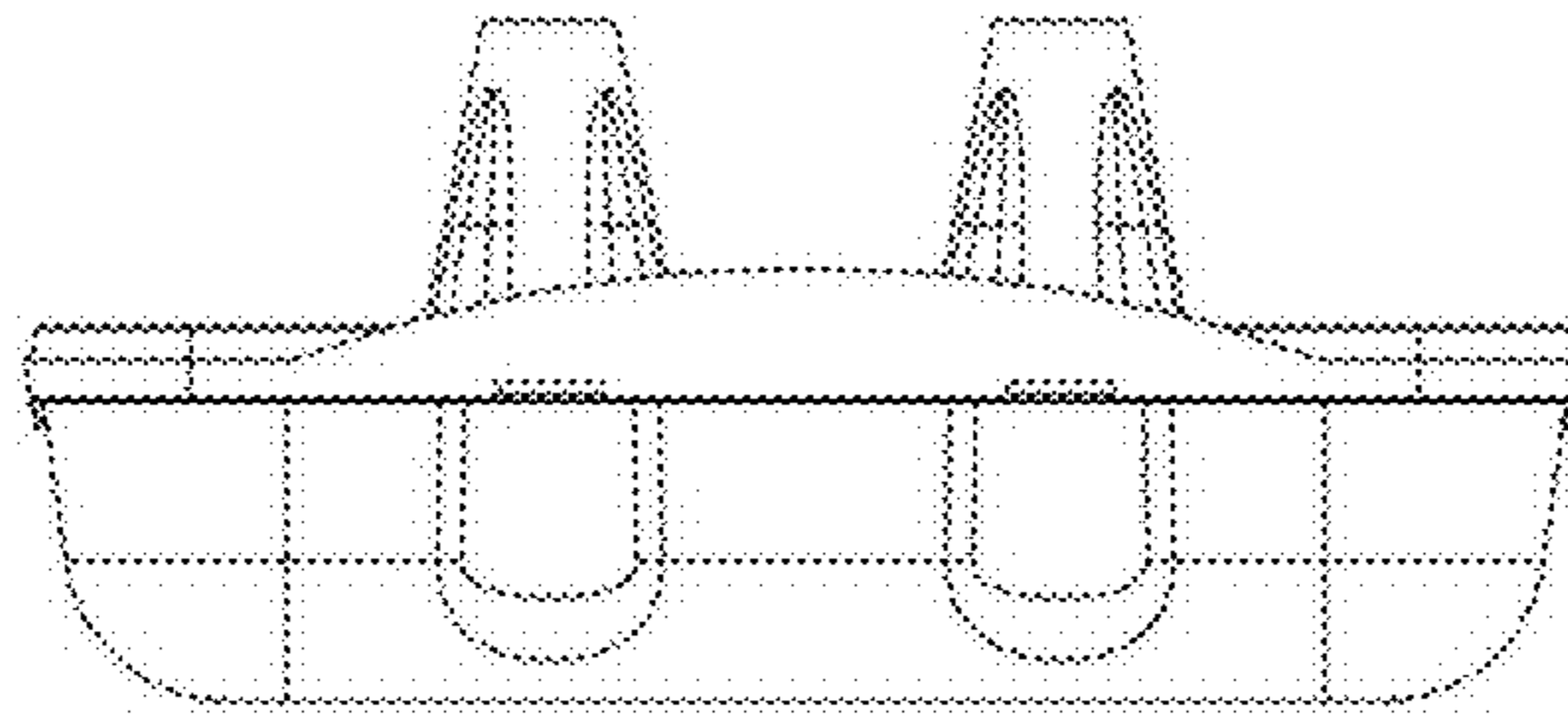
1.12



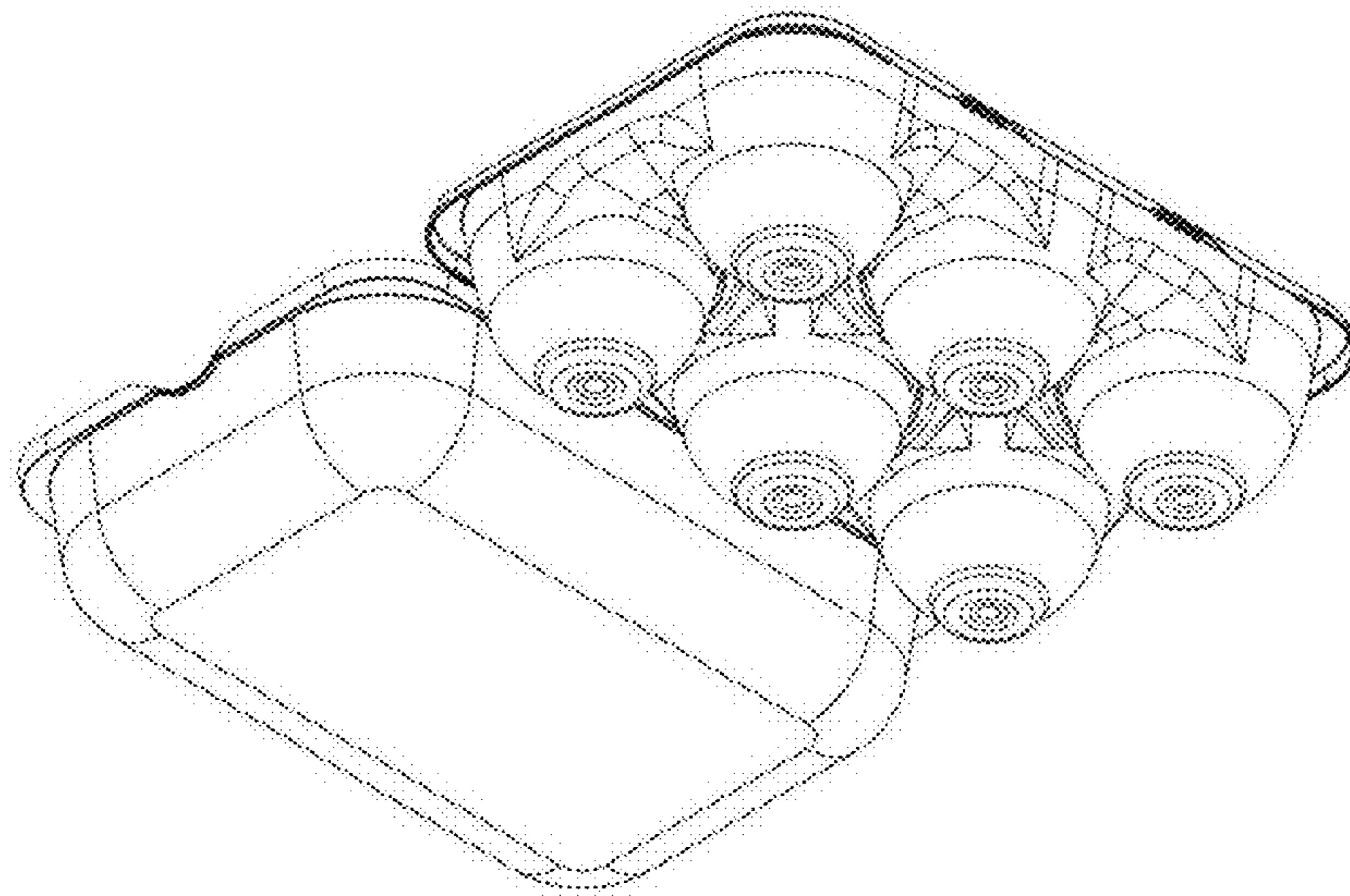
1.13



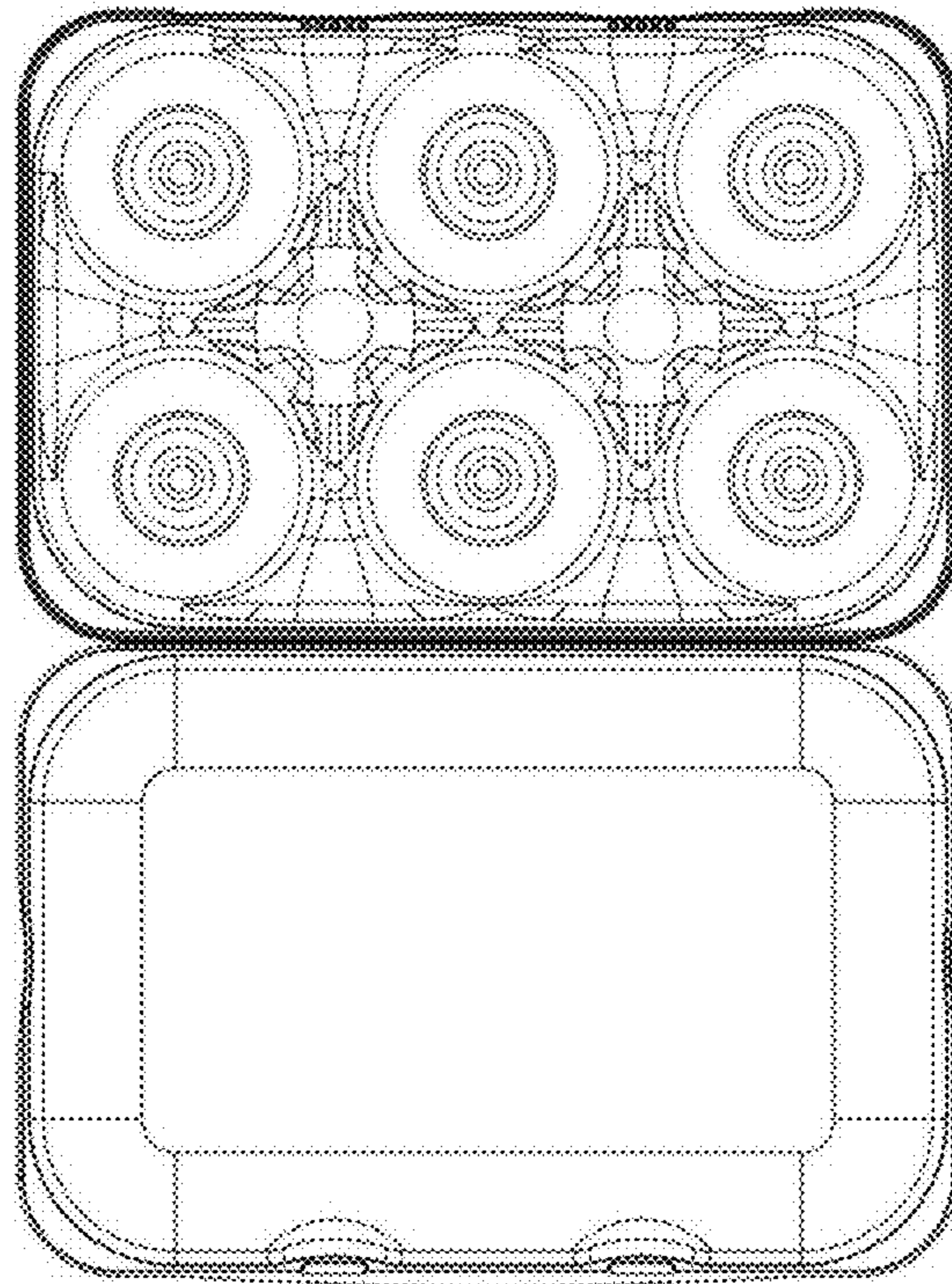
1.14



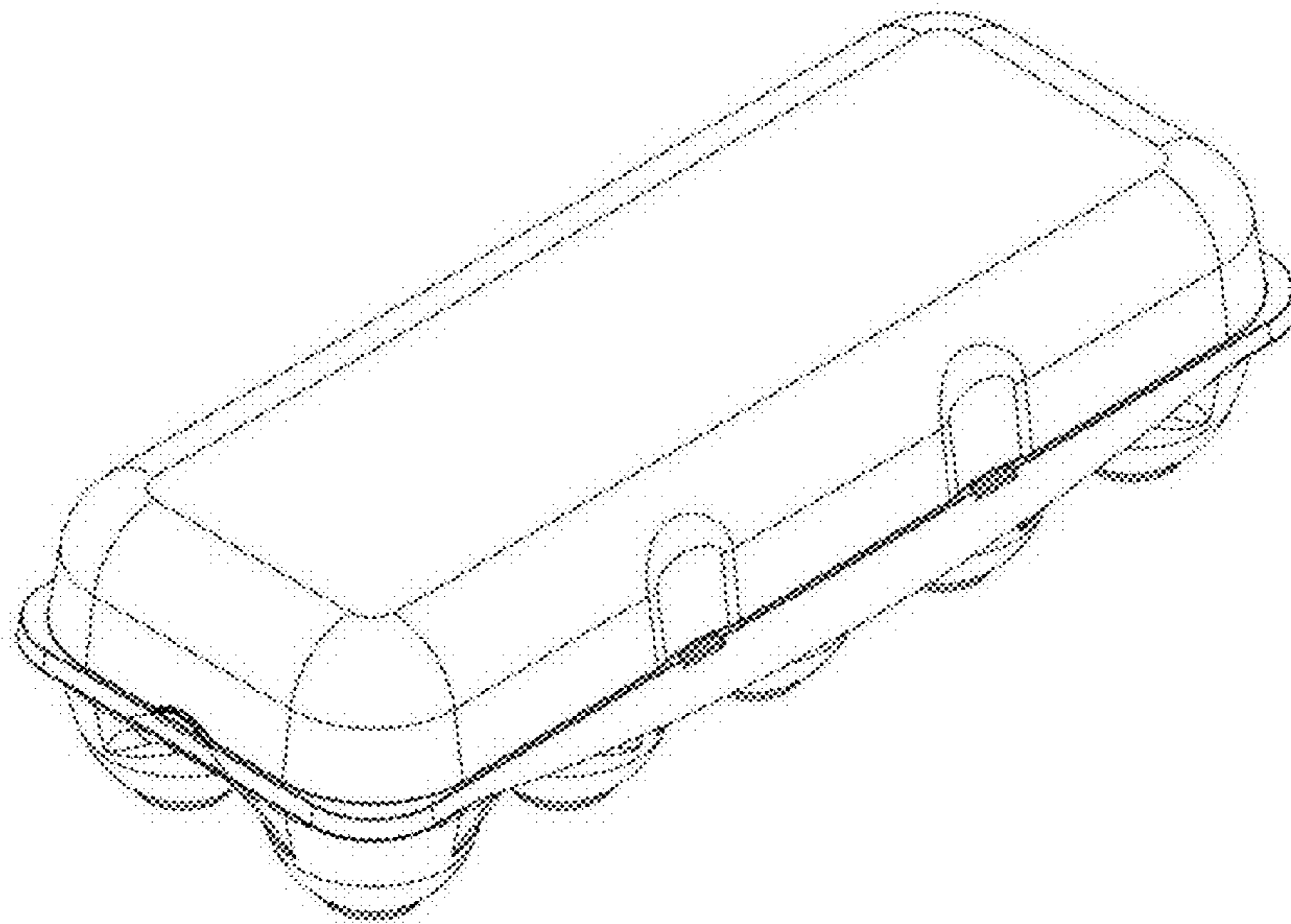
1.15



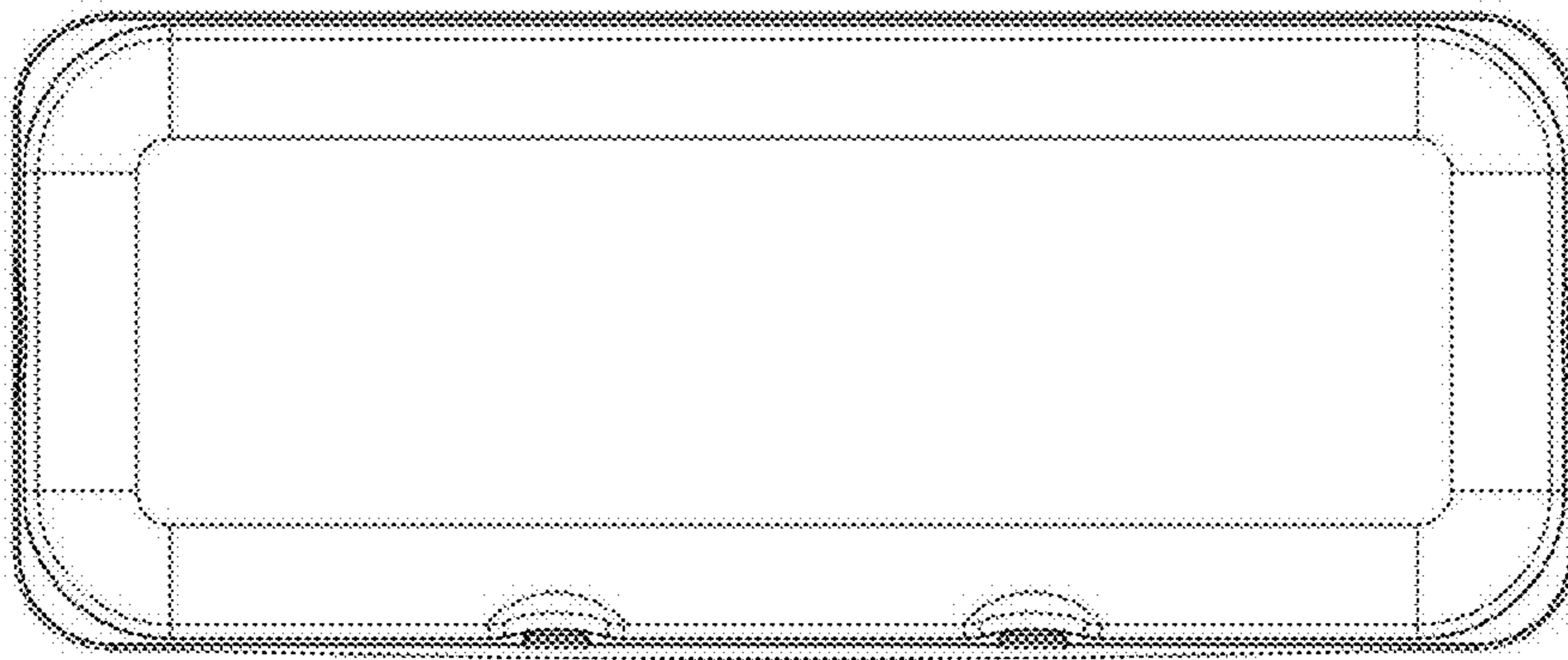
1.16



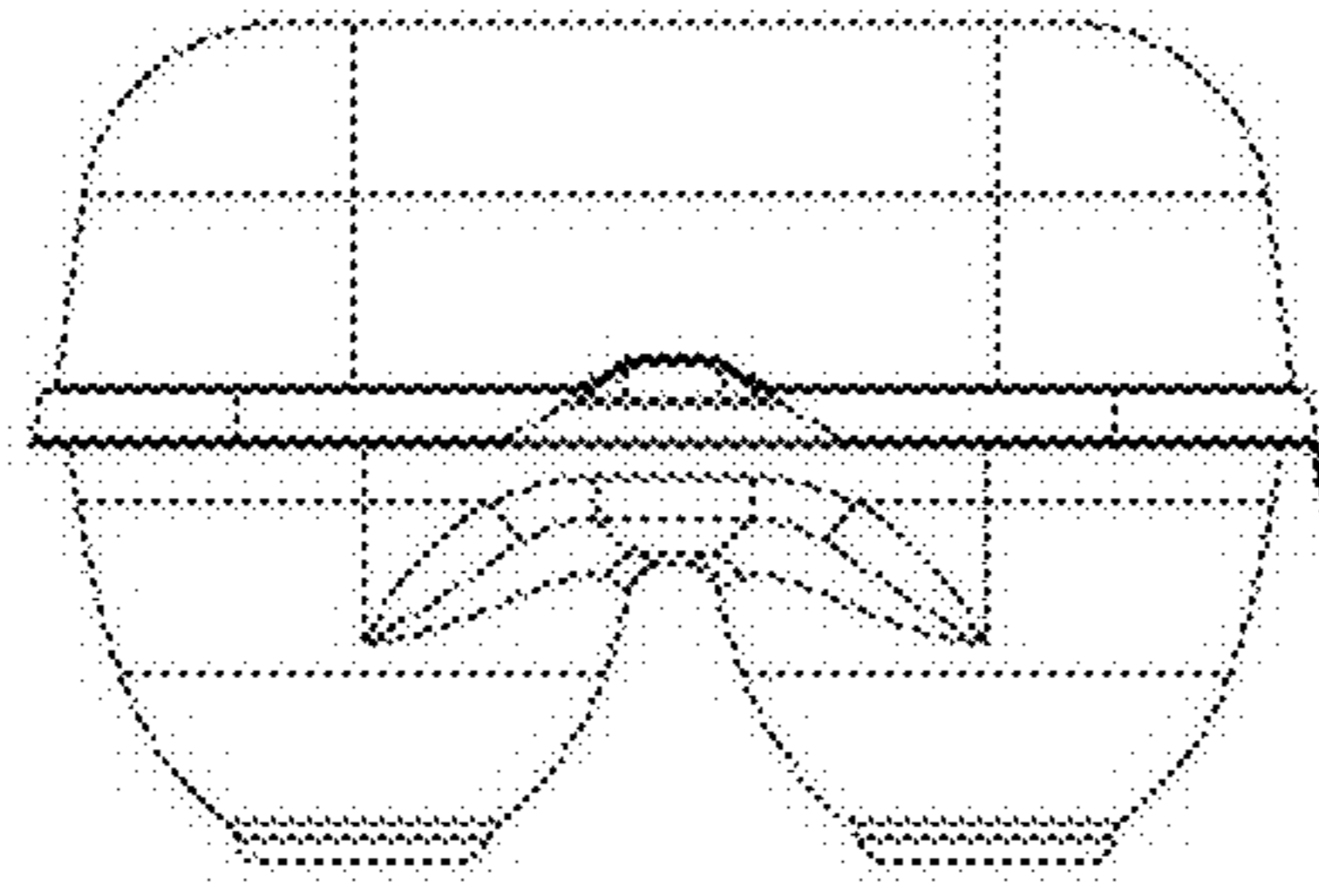
2.1



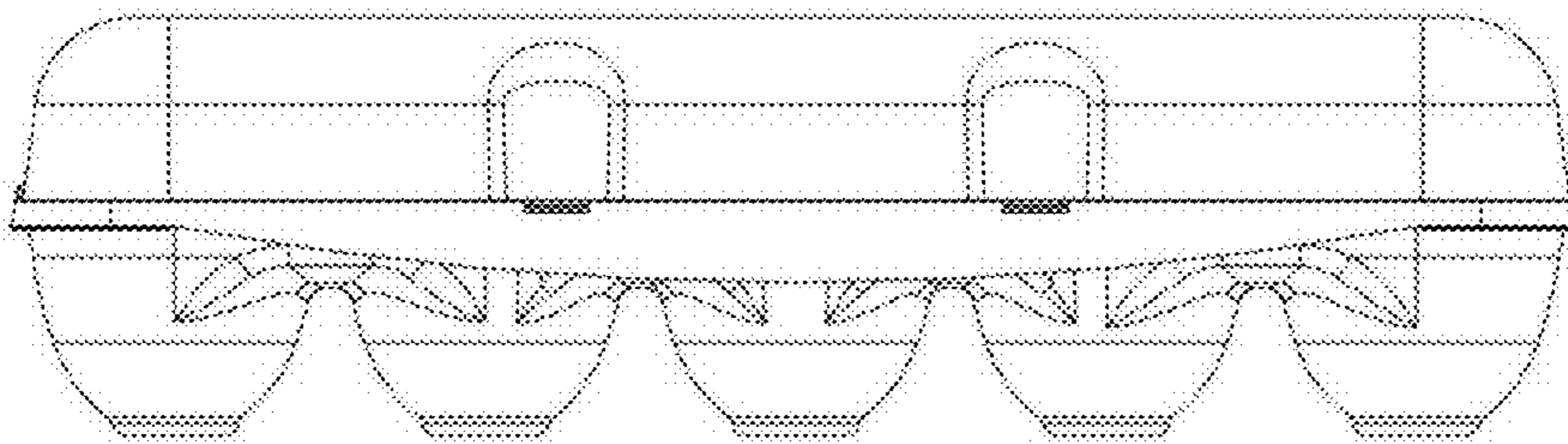
2.2



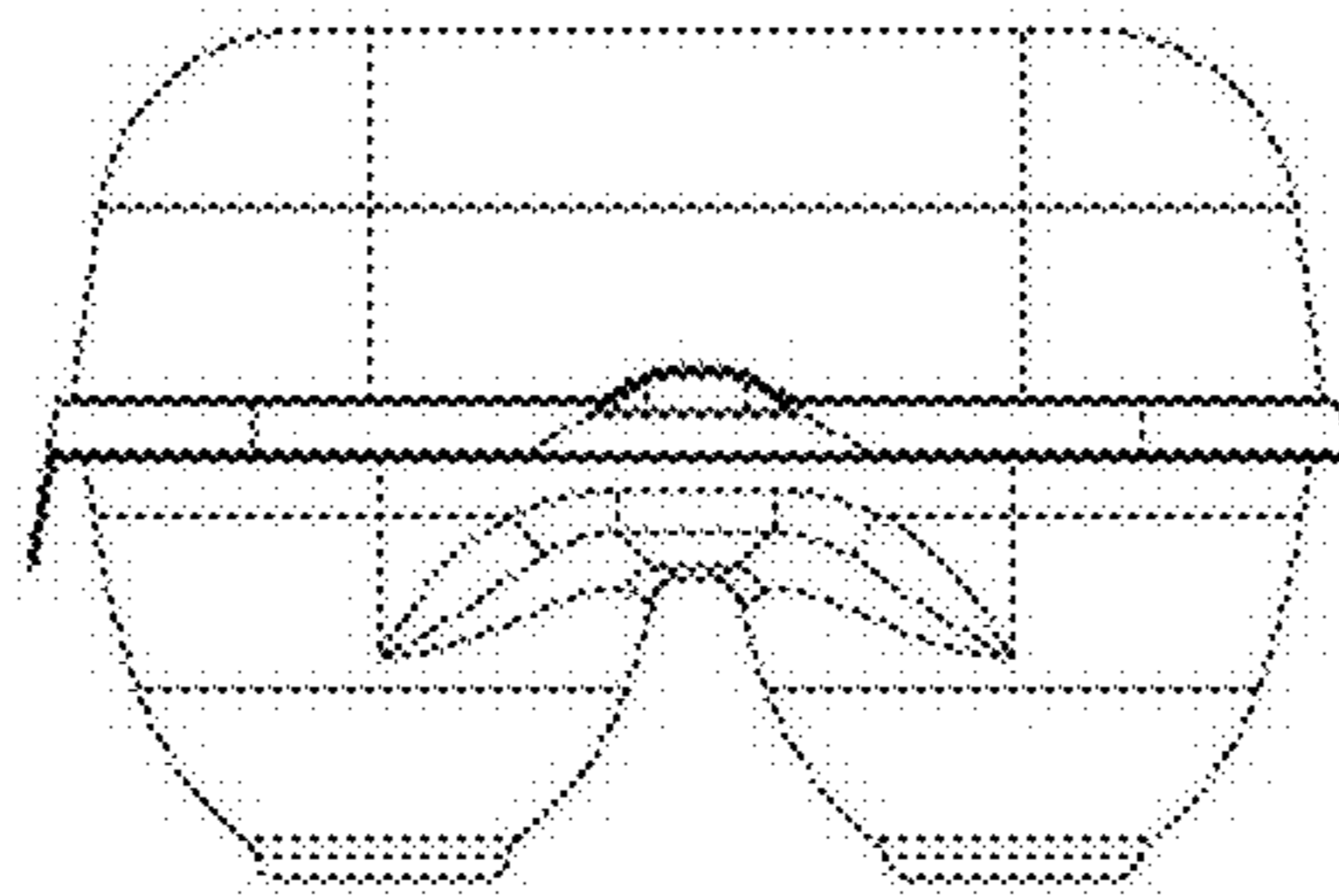
2.3



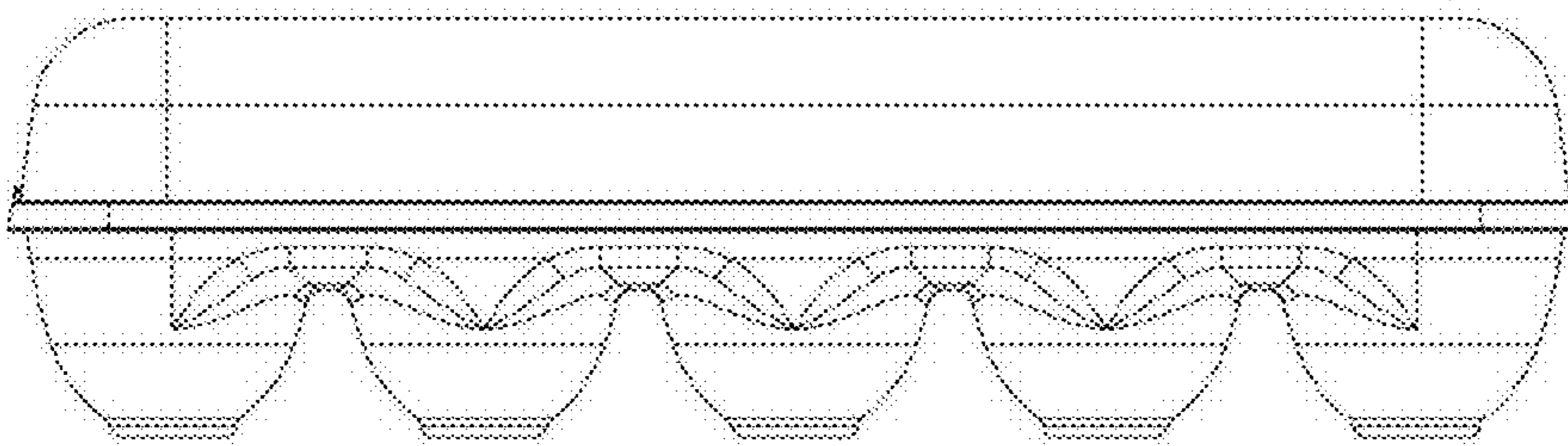
2.4



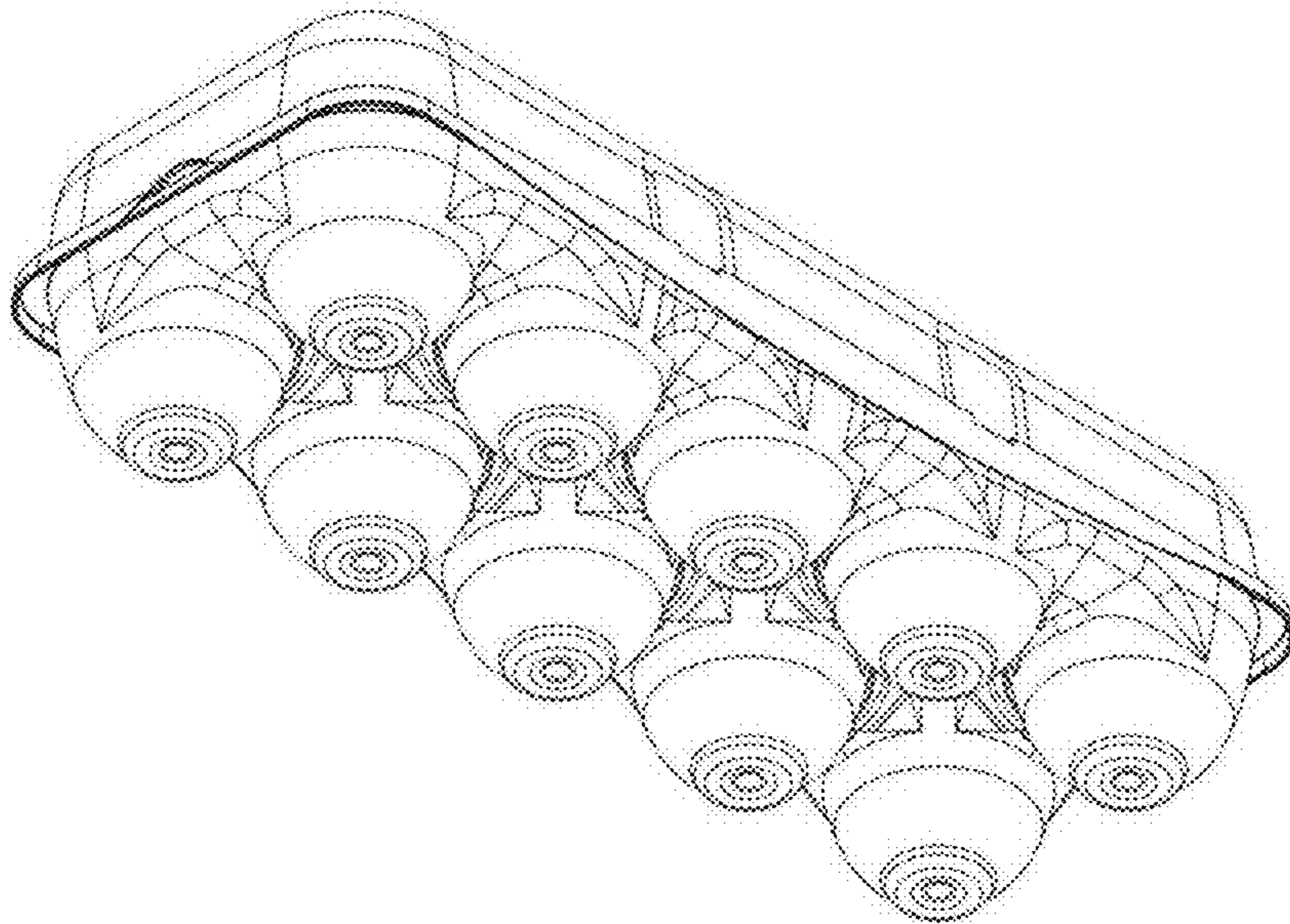
2.5



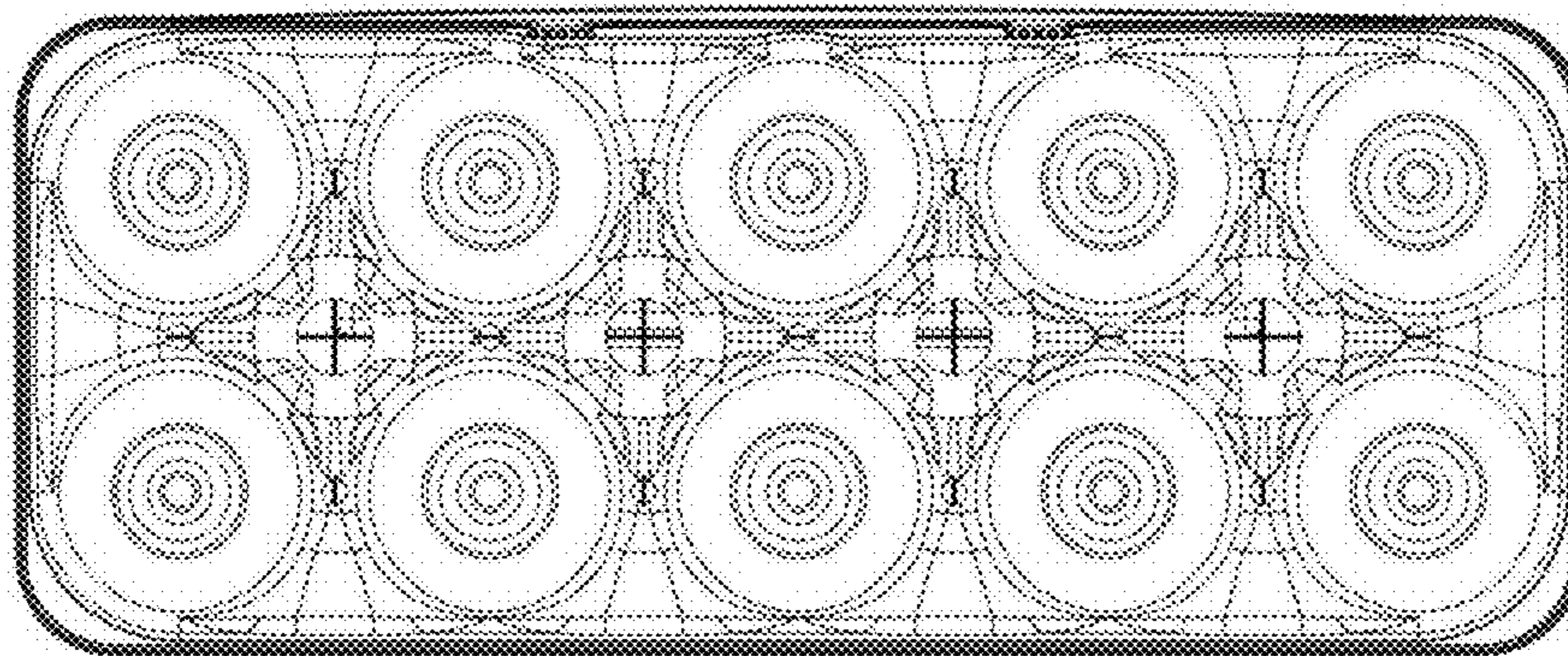
2.6



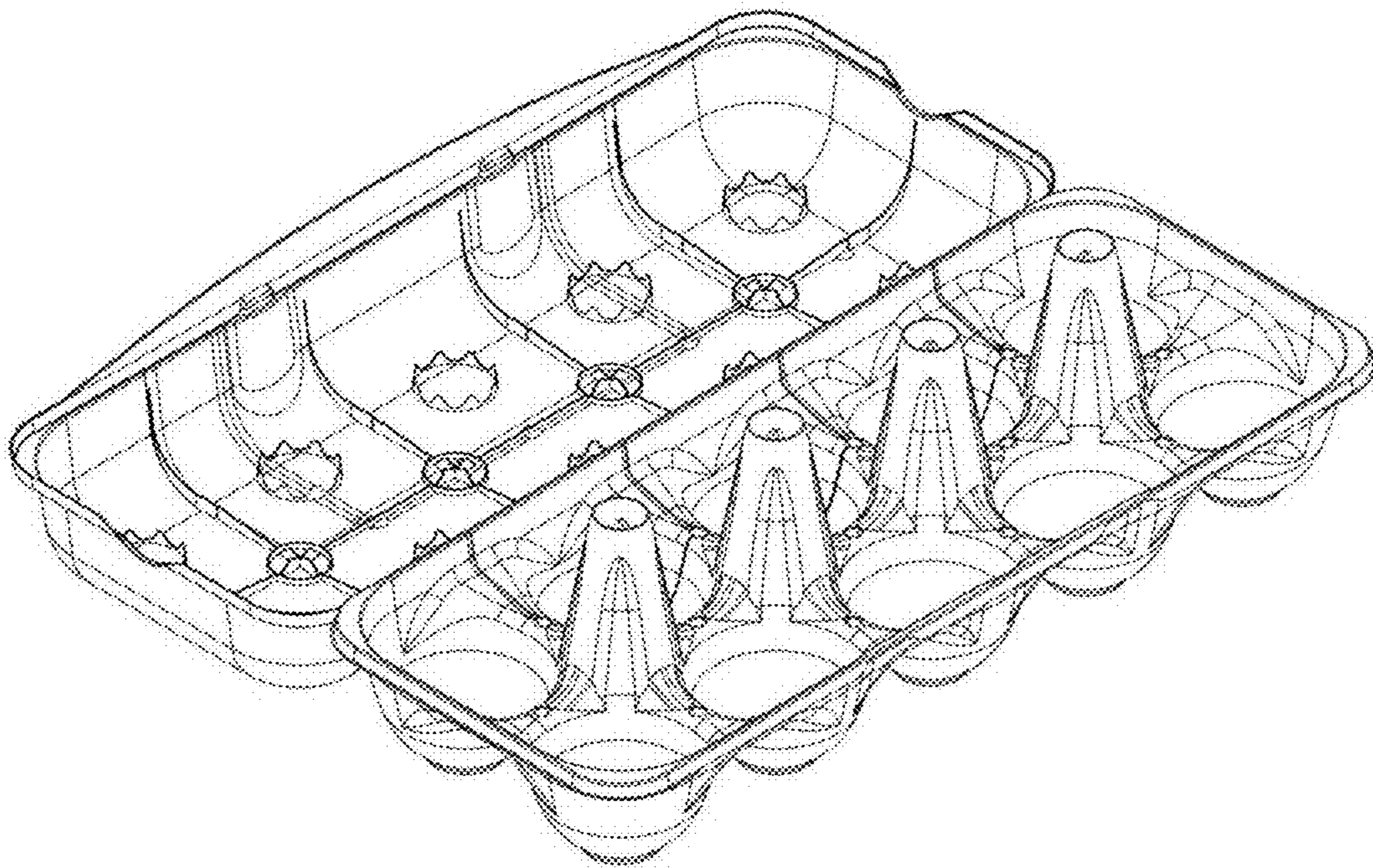
2.7



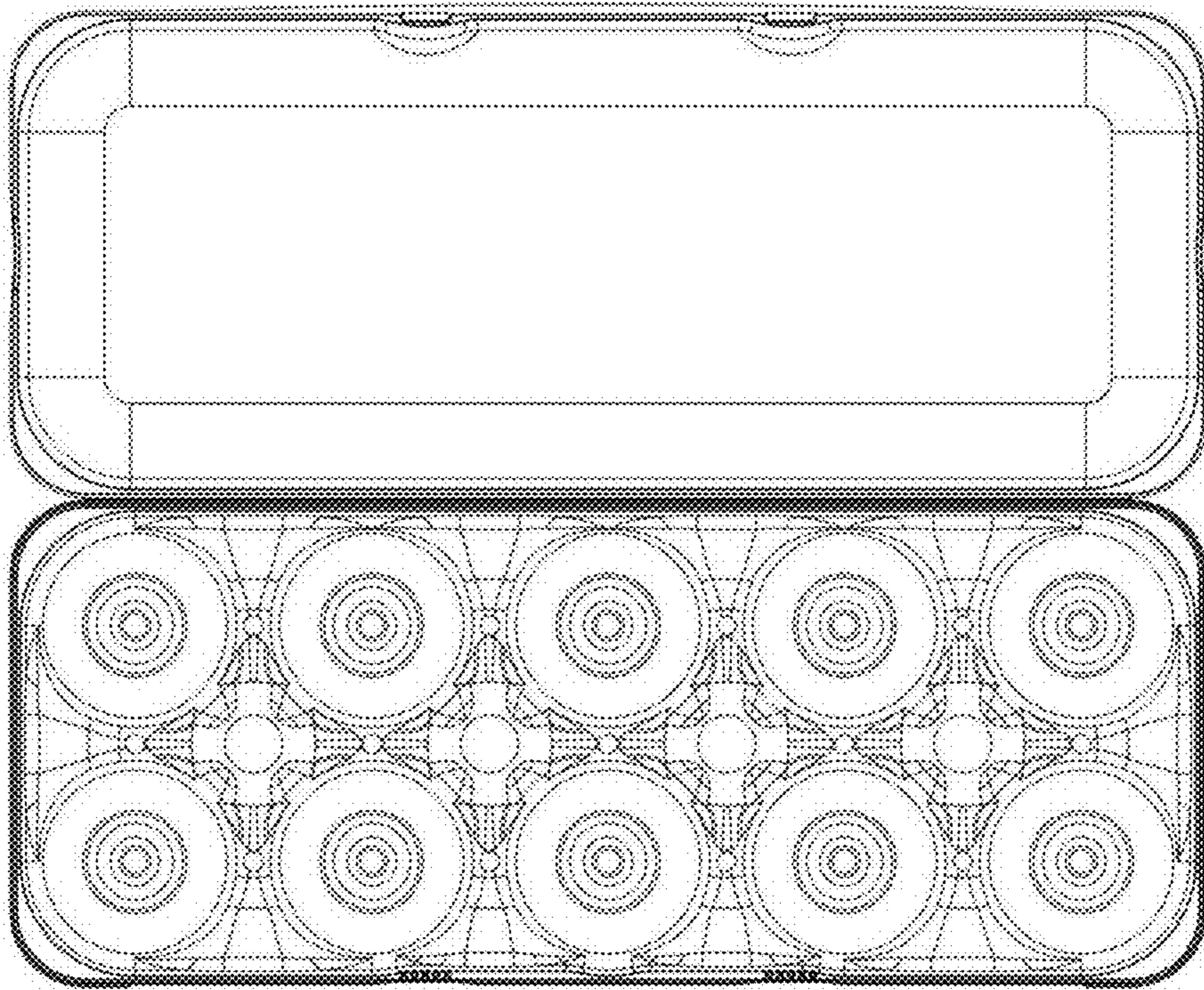
2.8



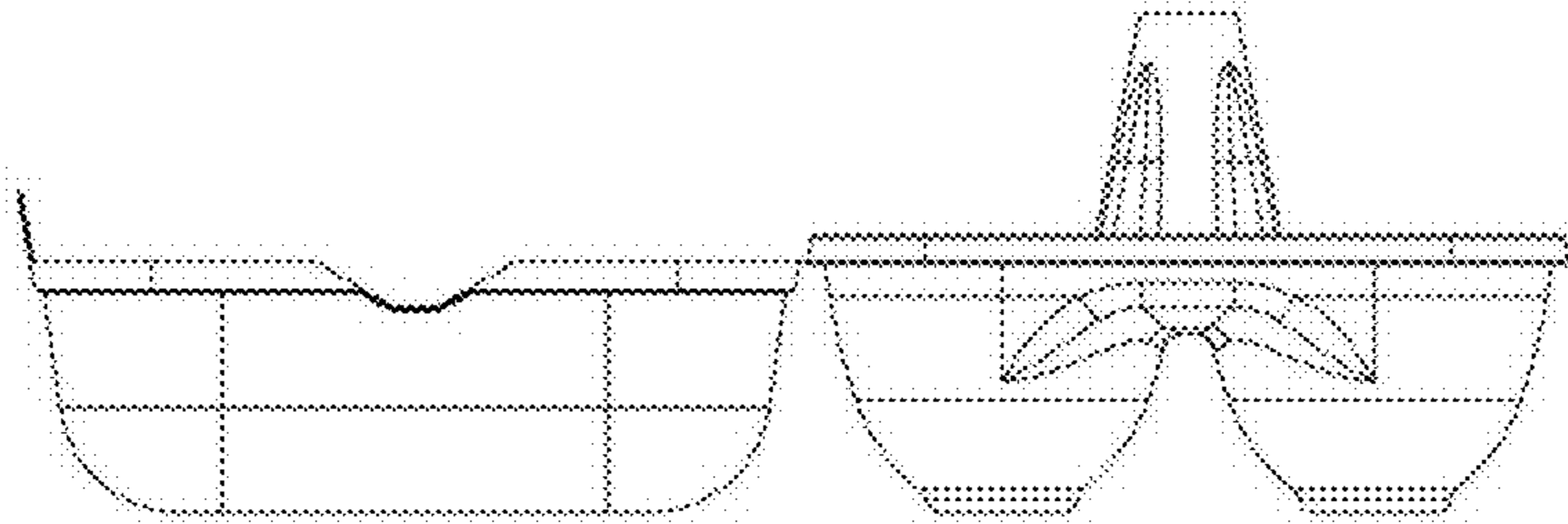
2.9



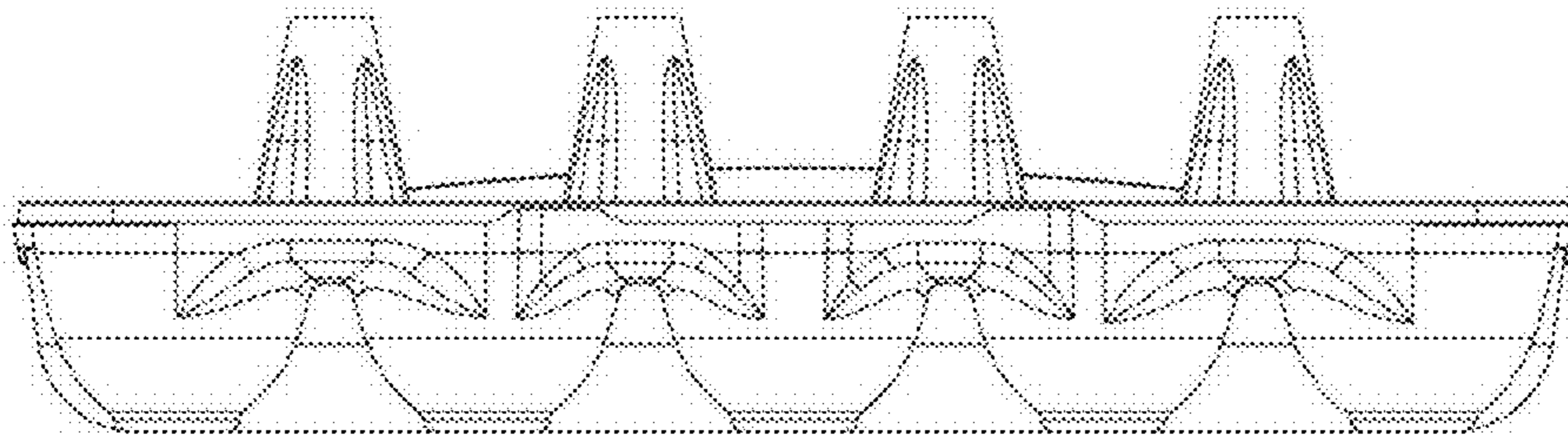
2.10



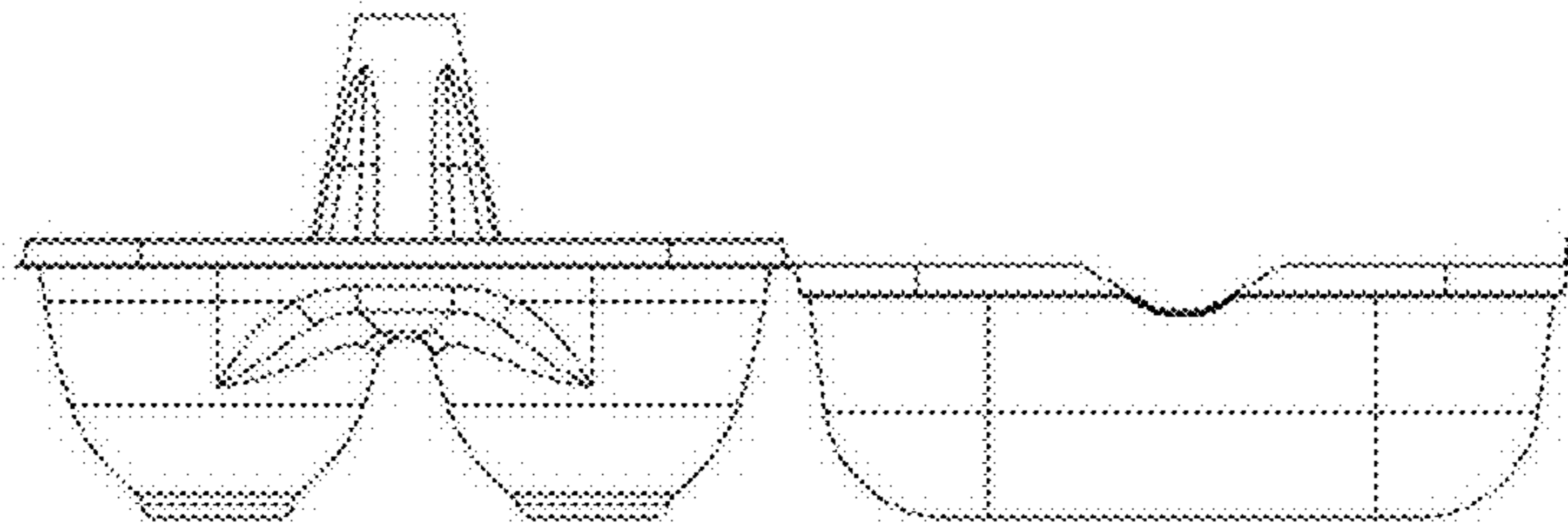
2.11



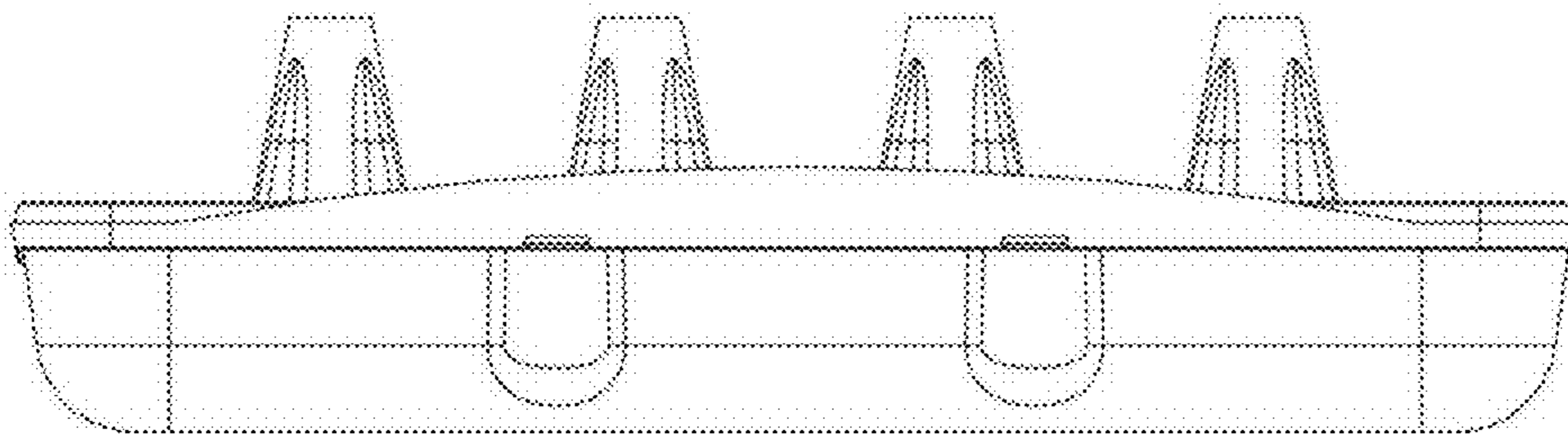
2.12



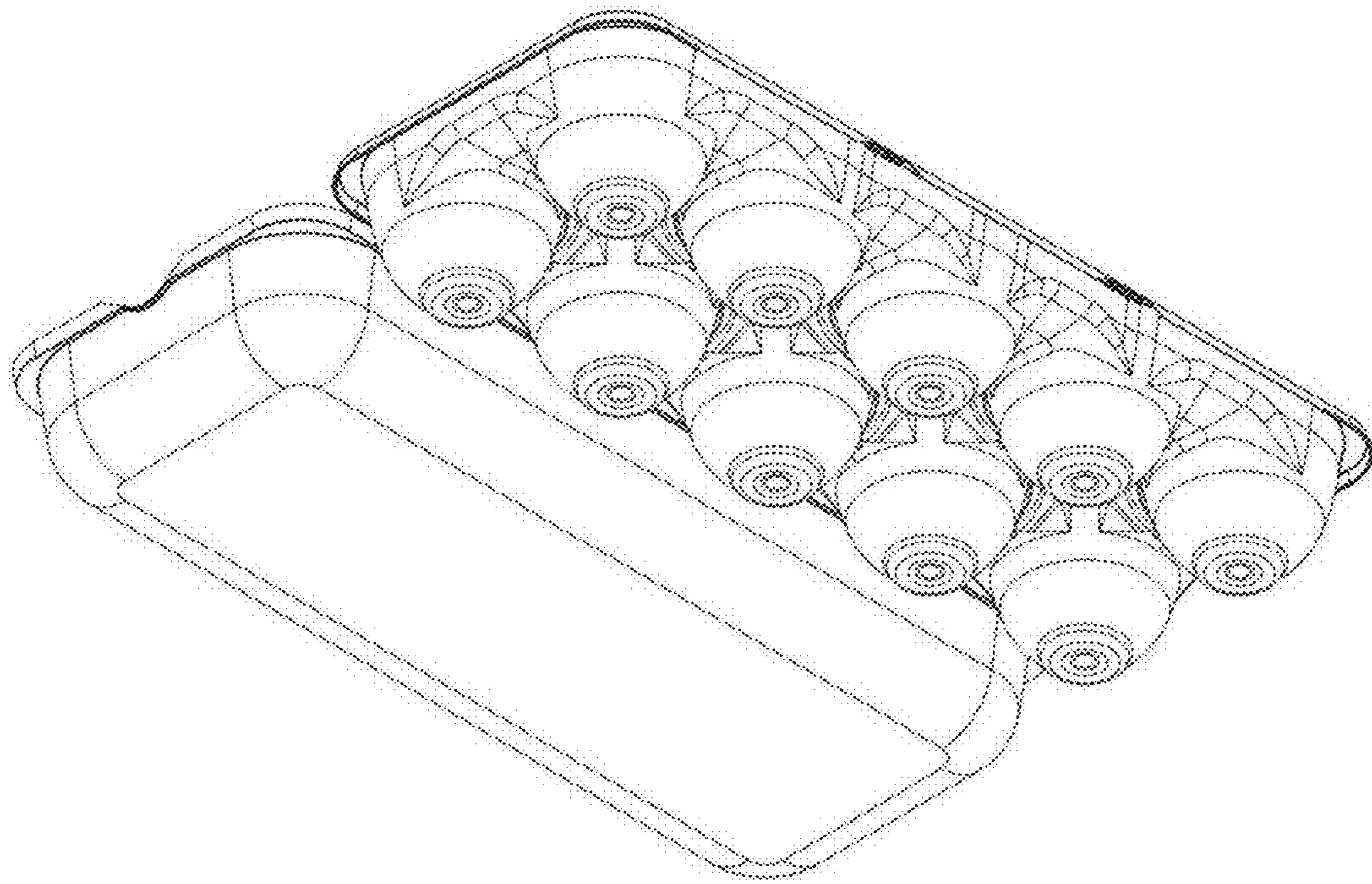
2.13



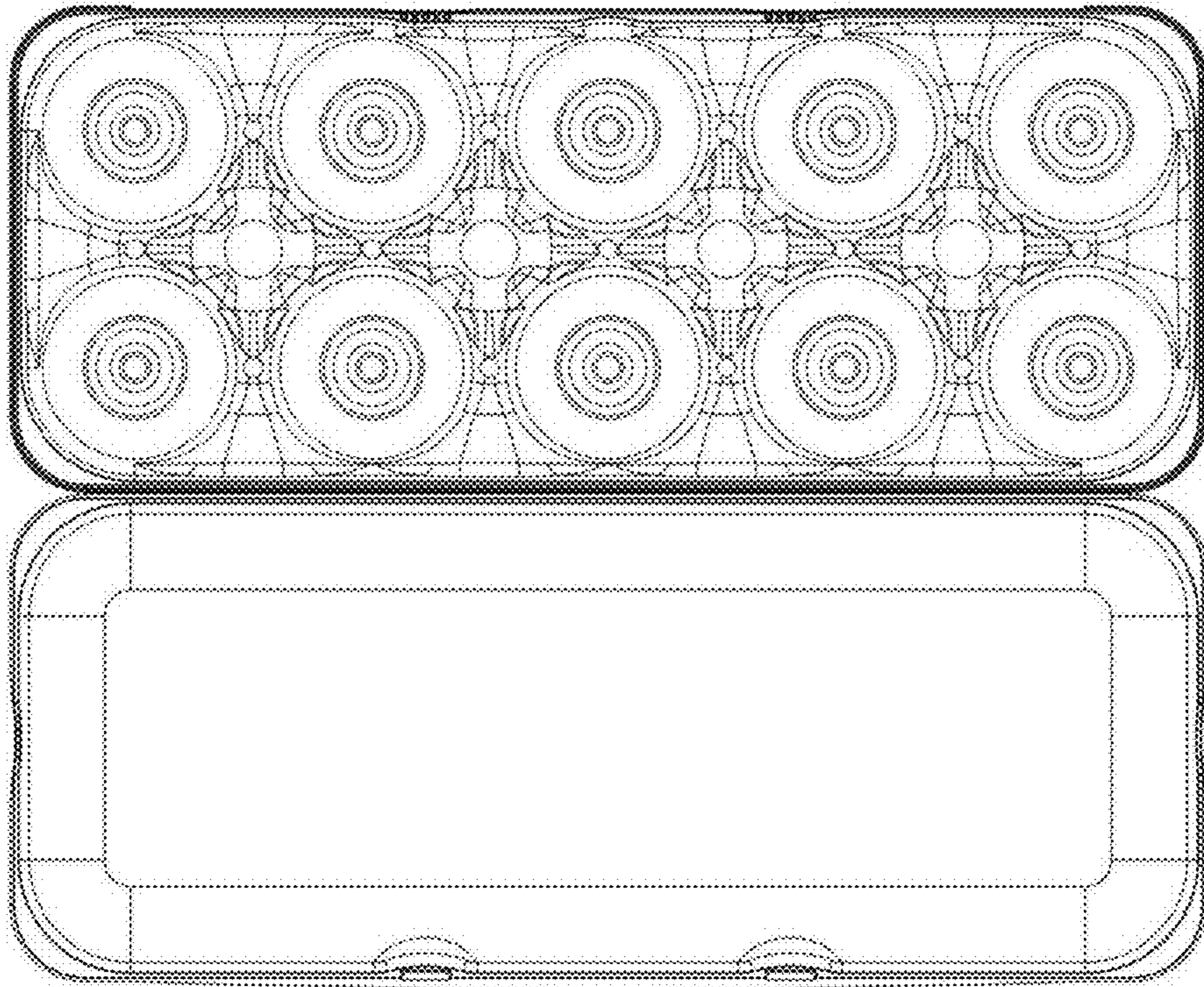
2.14



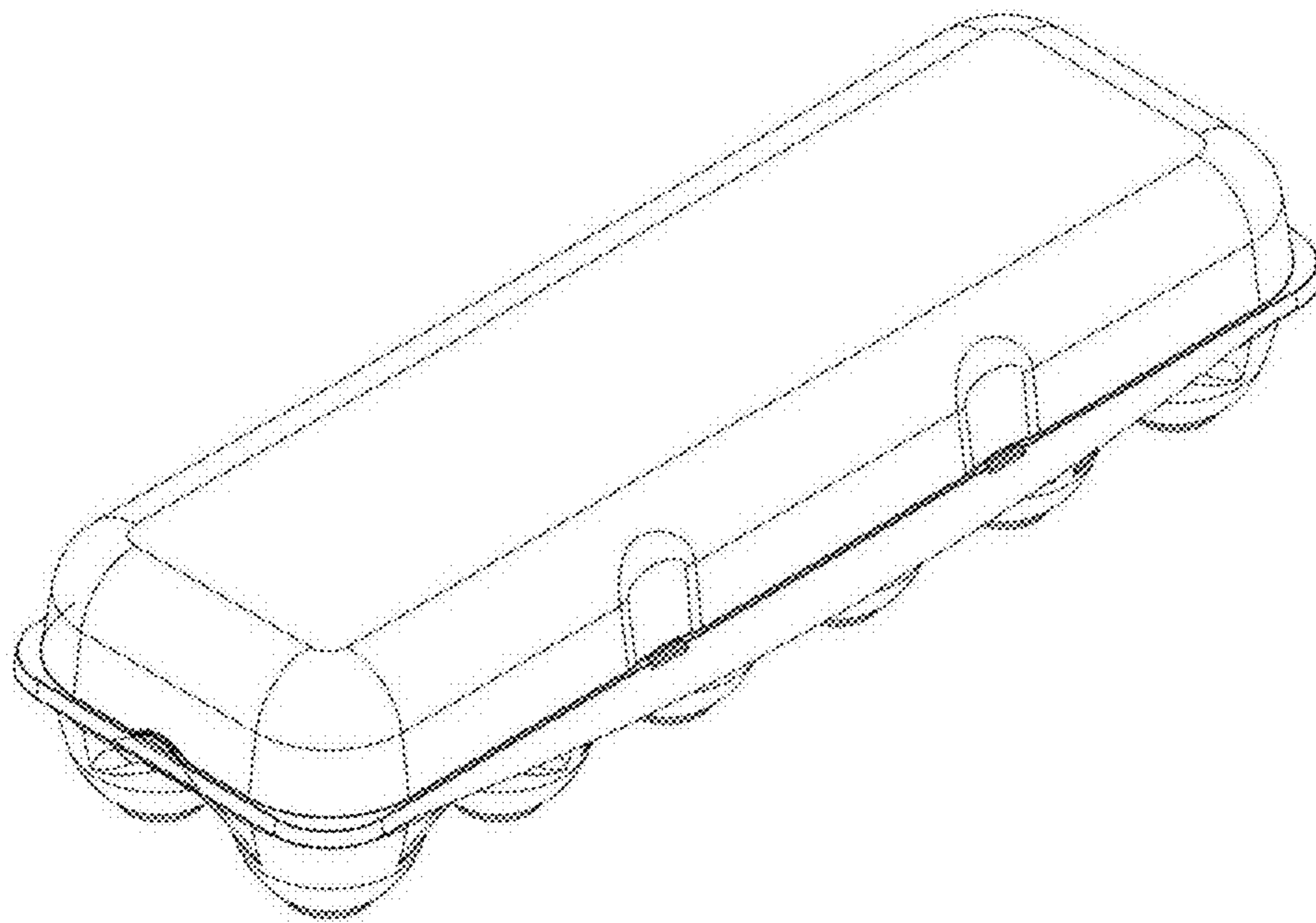
2.15



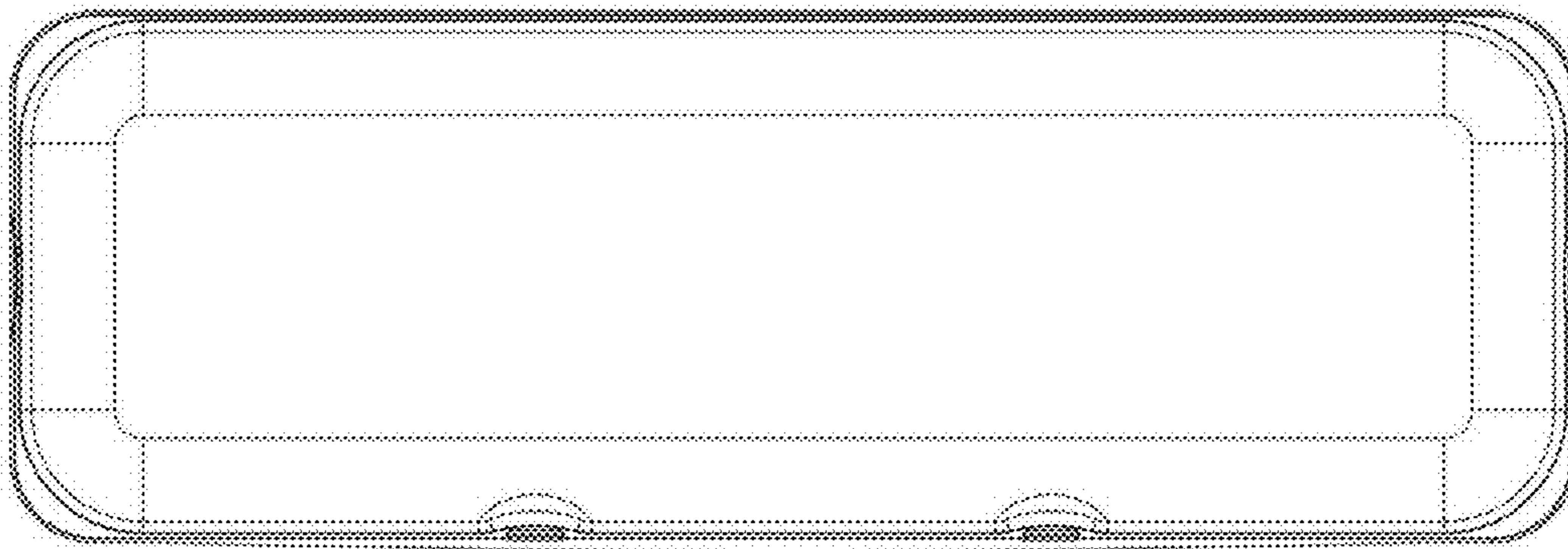
2.16



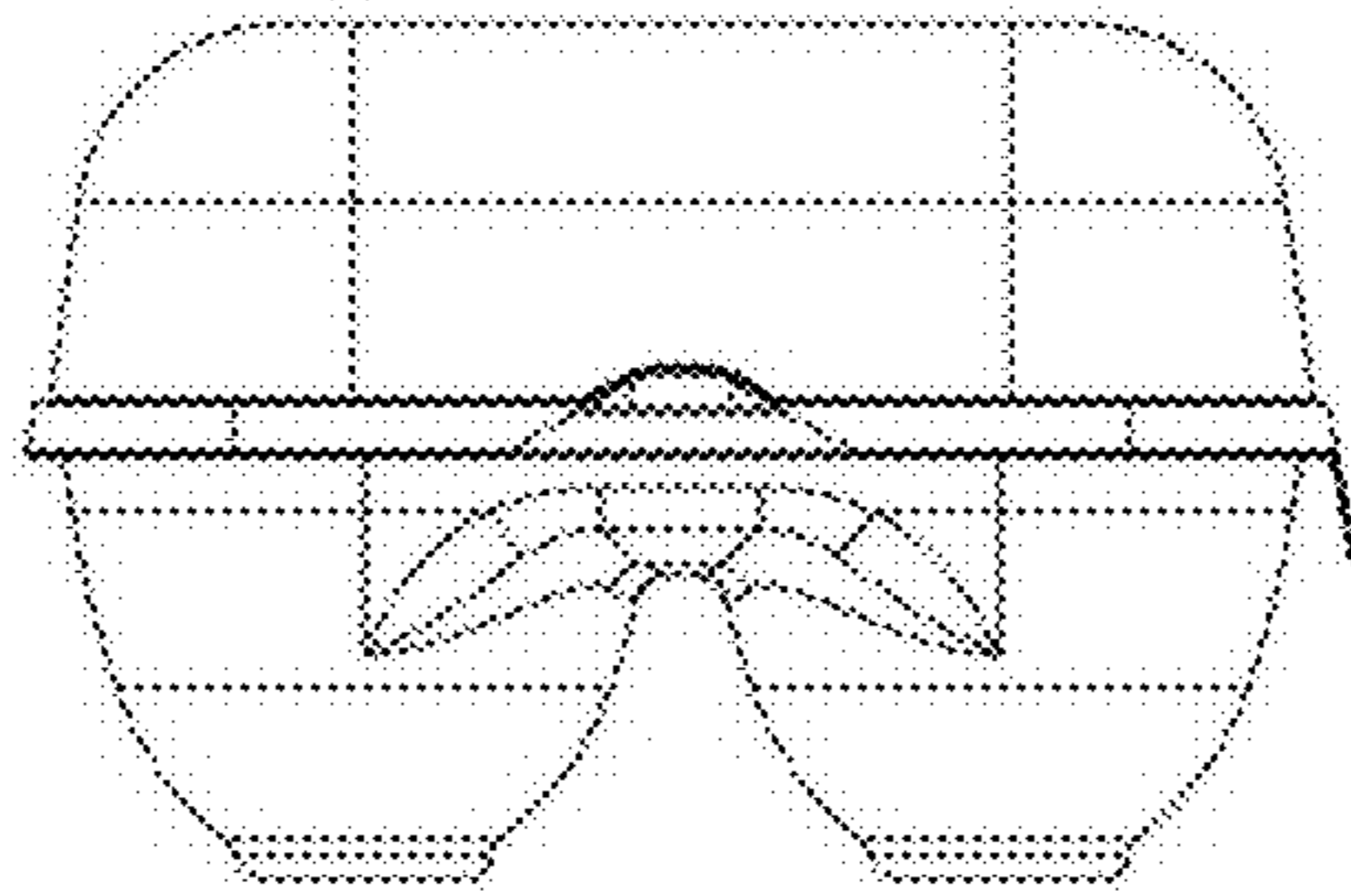
3.1



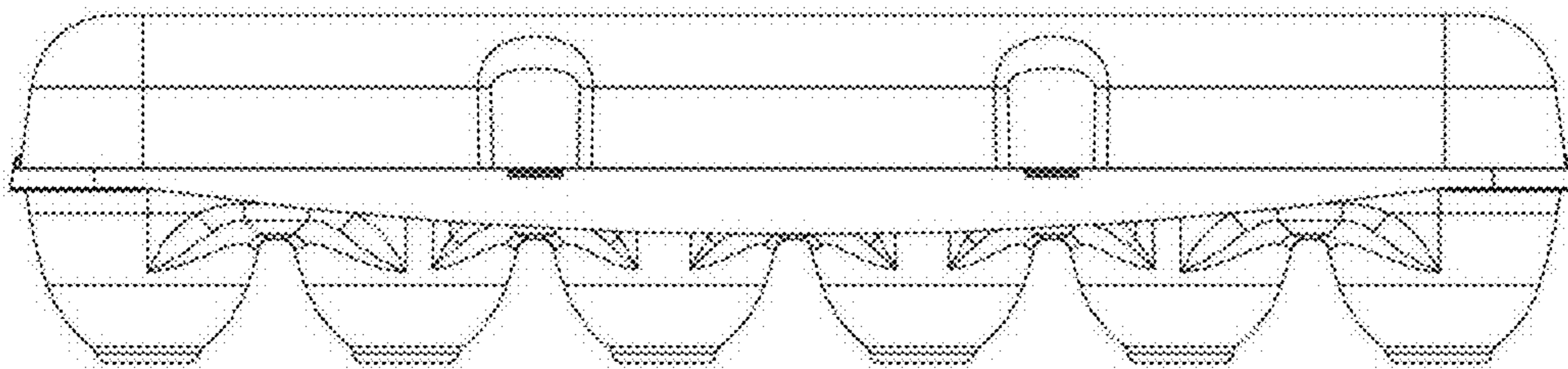
3.2



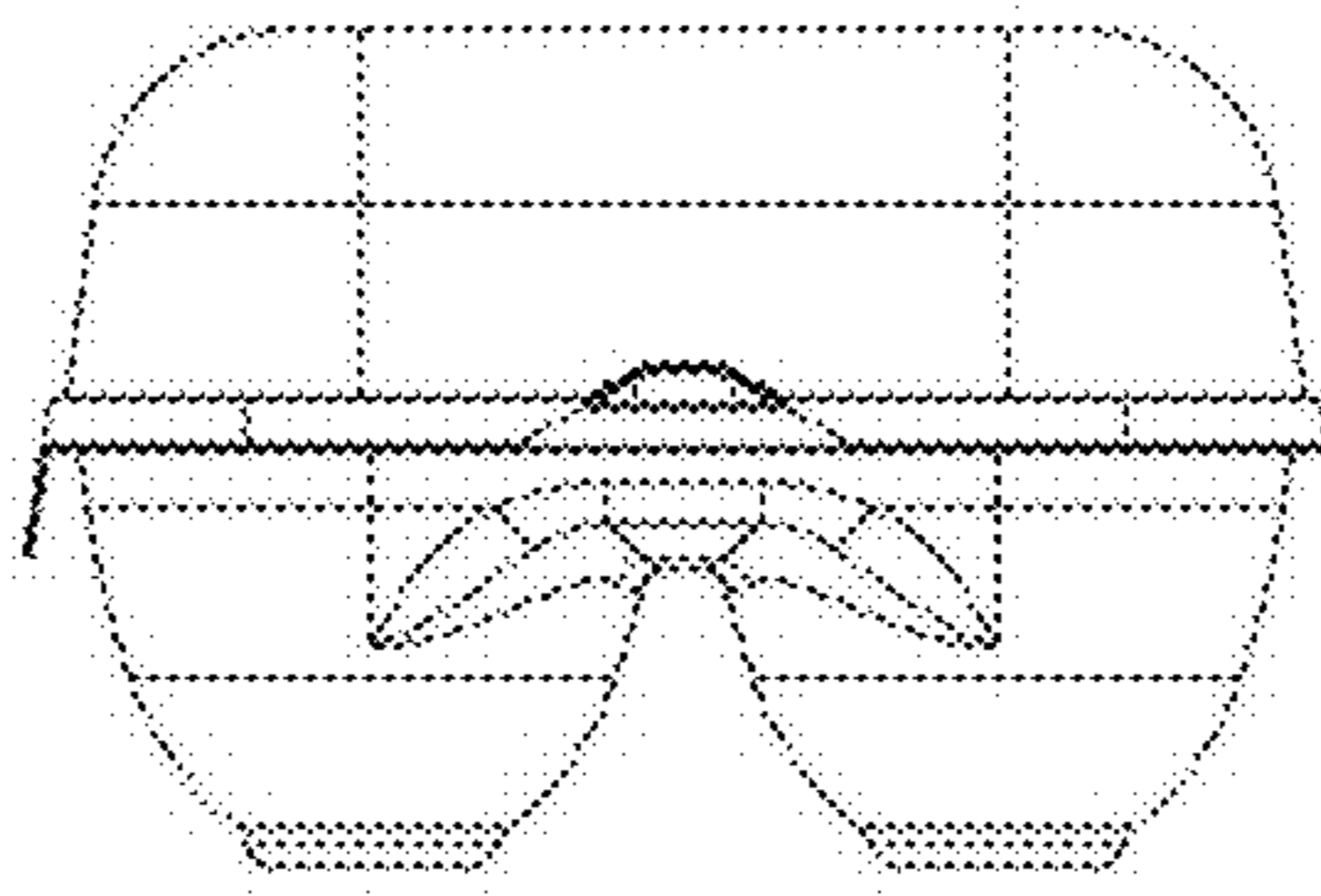
3.3



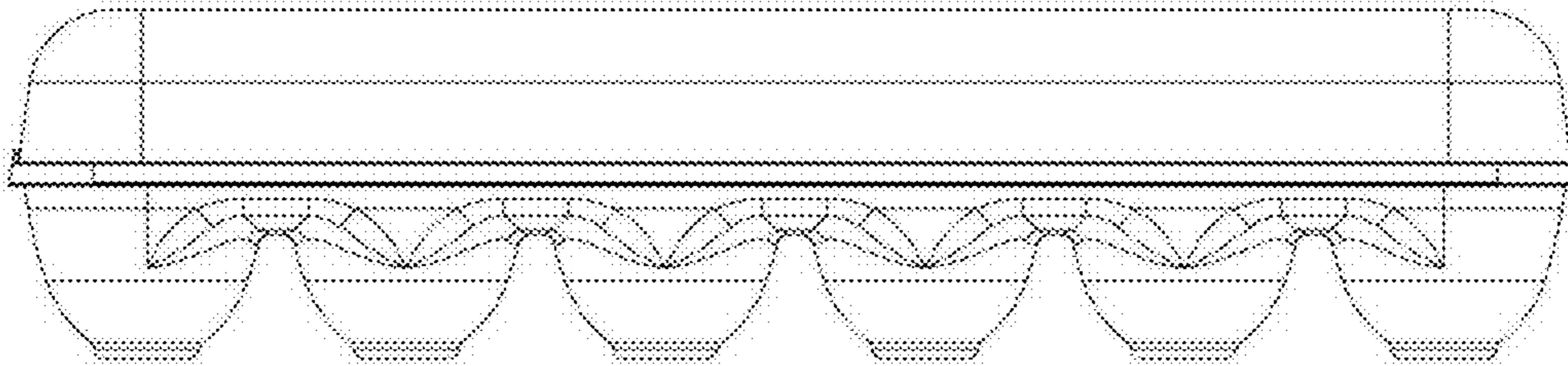
3.4



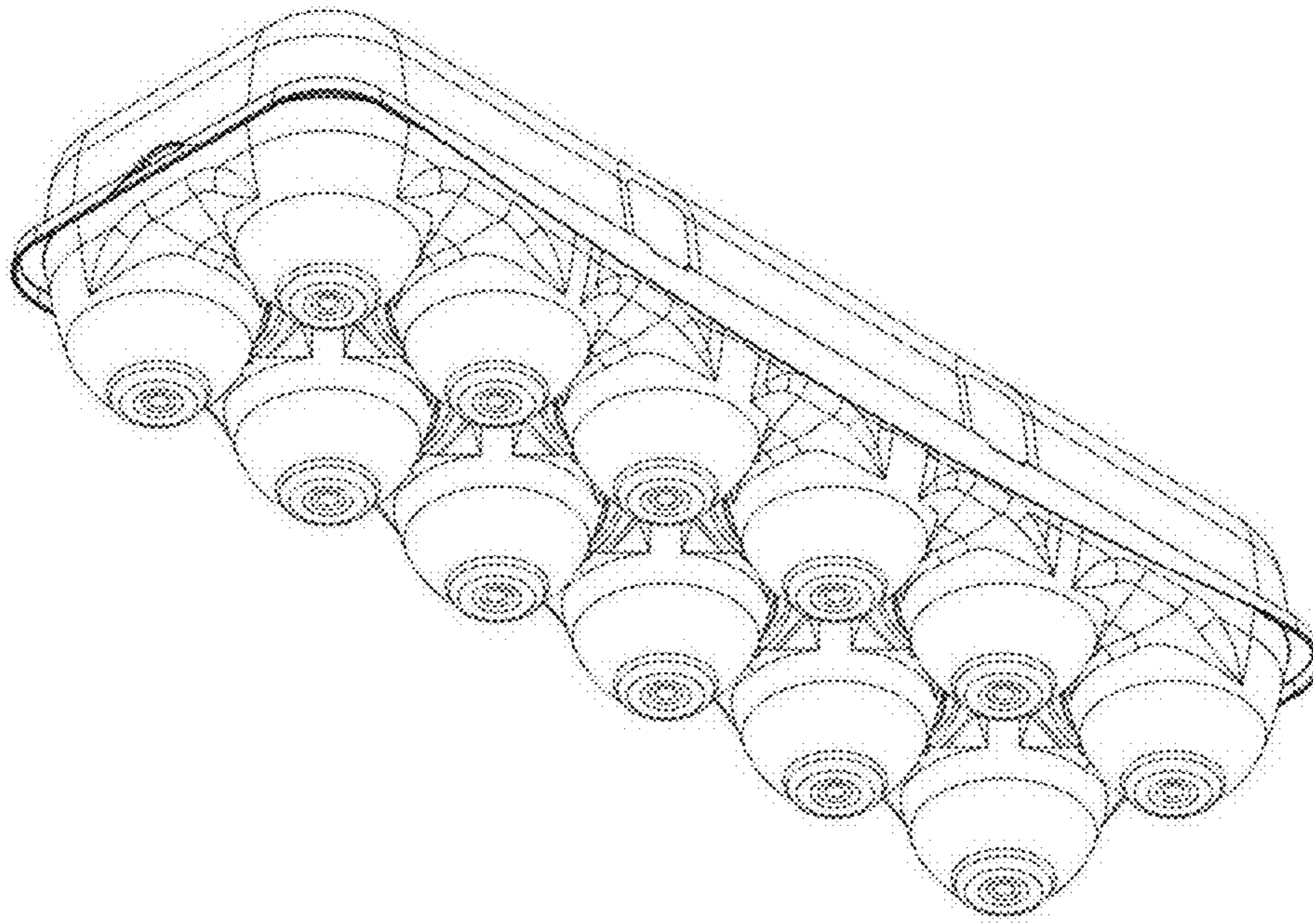
3.5



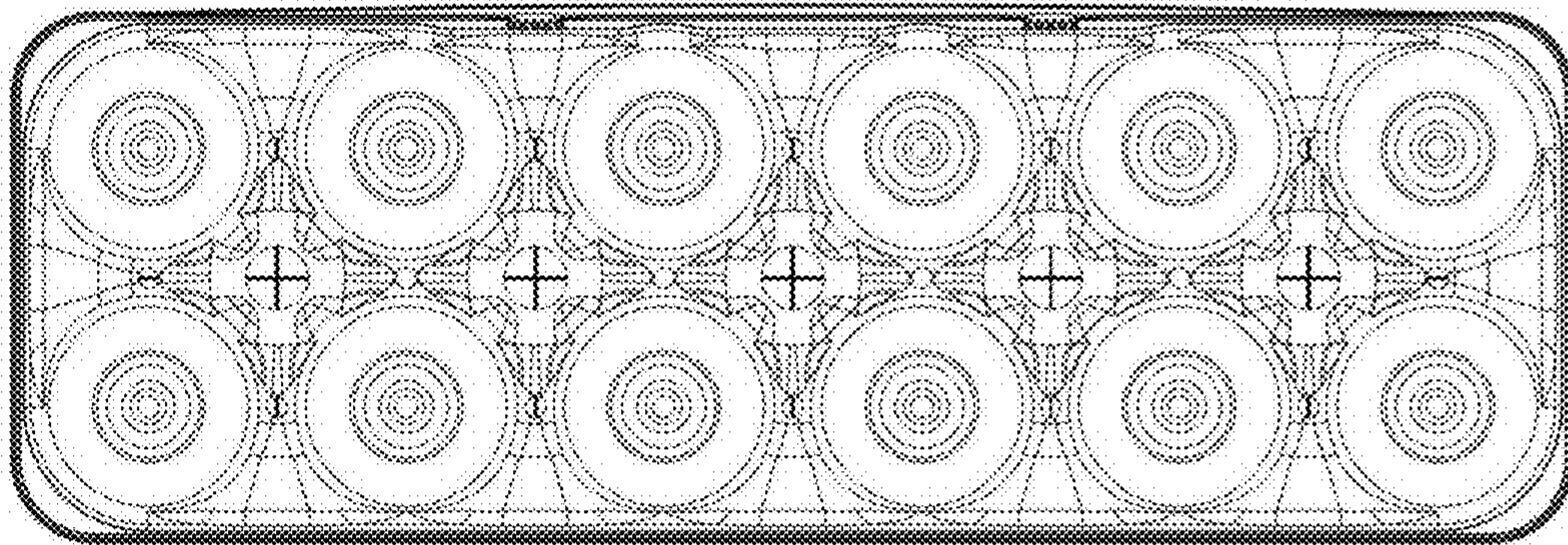
3.6



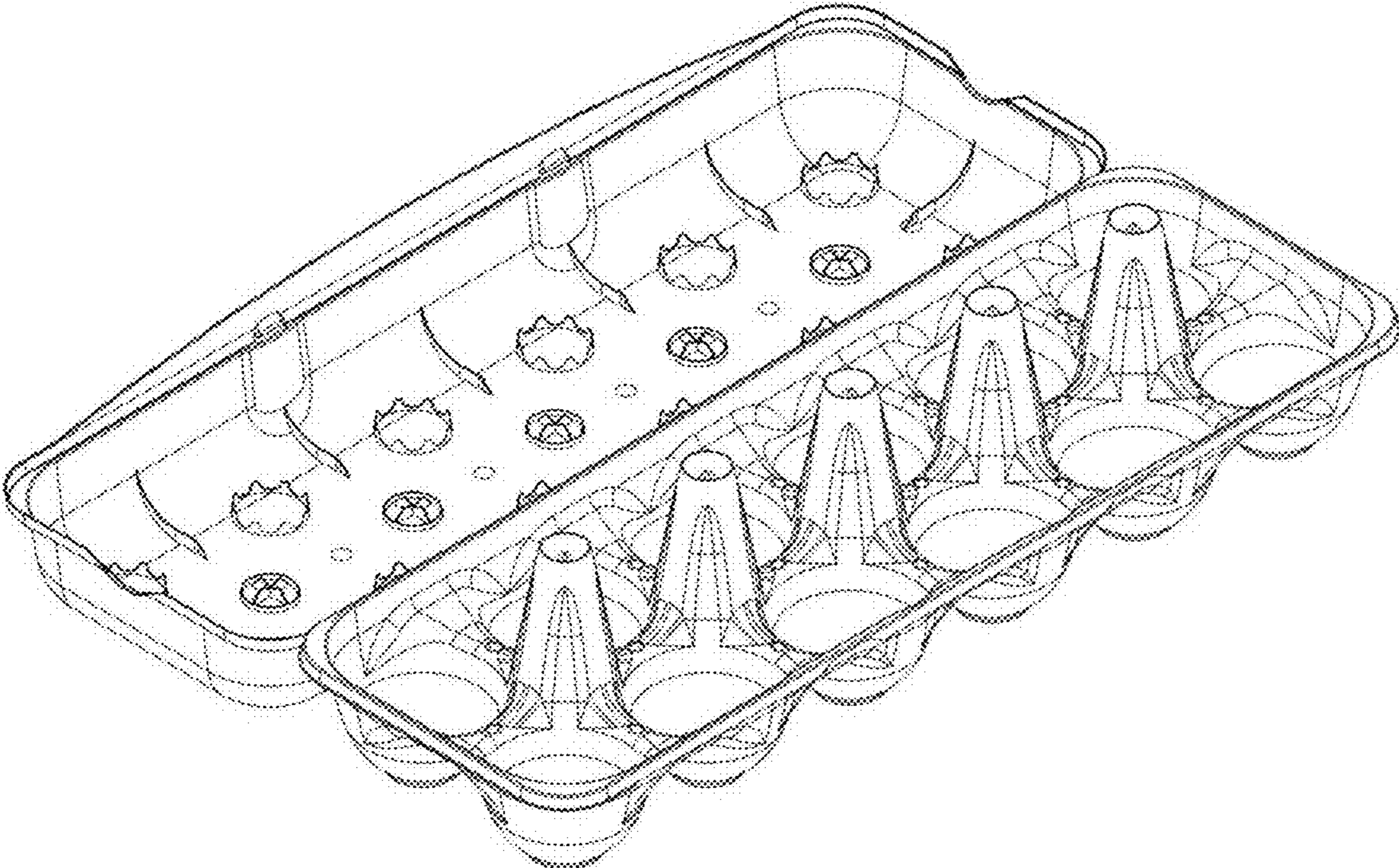
3.7



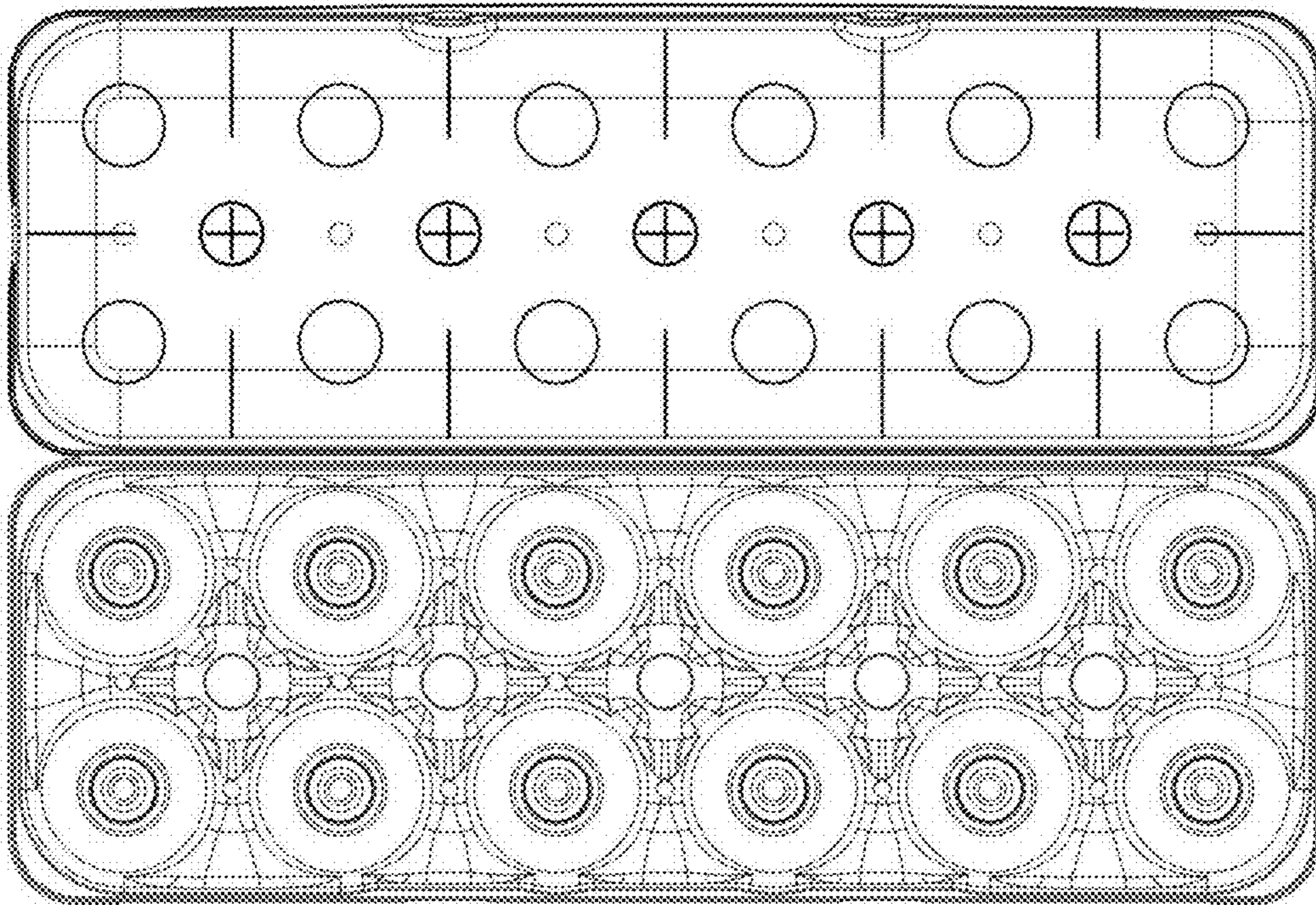
3.8



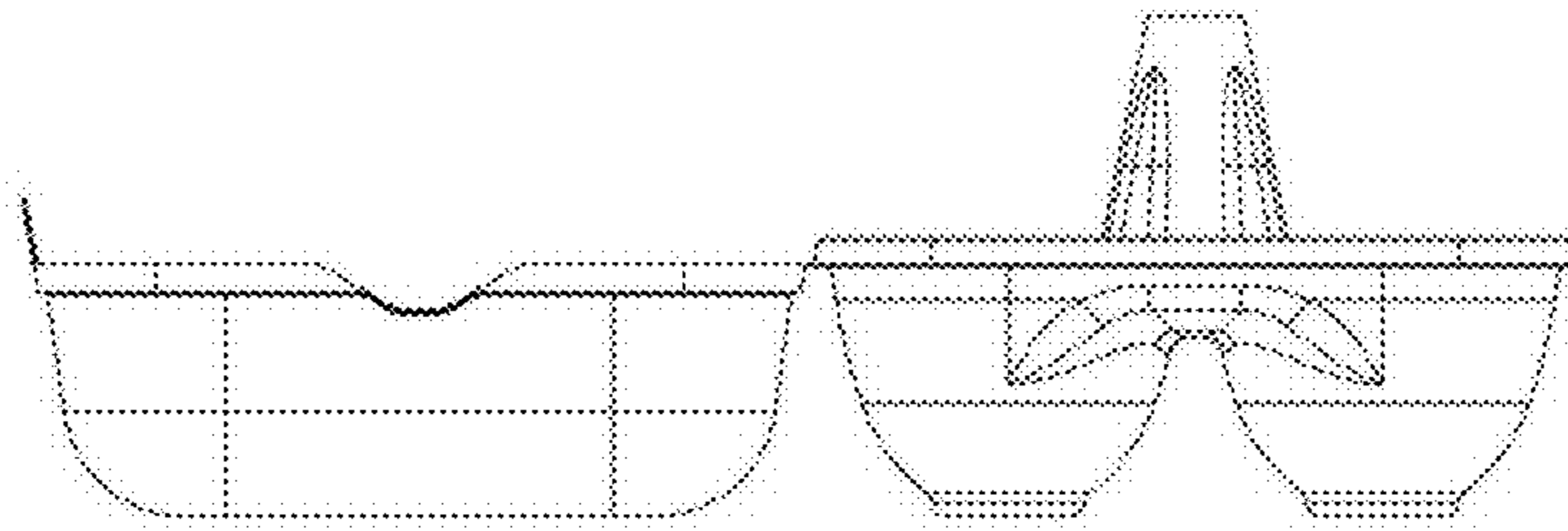
3.9



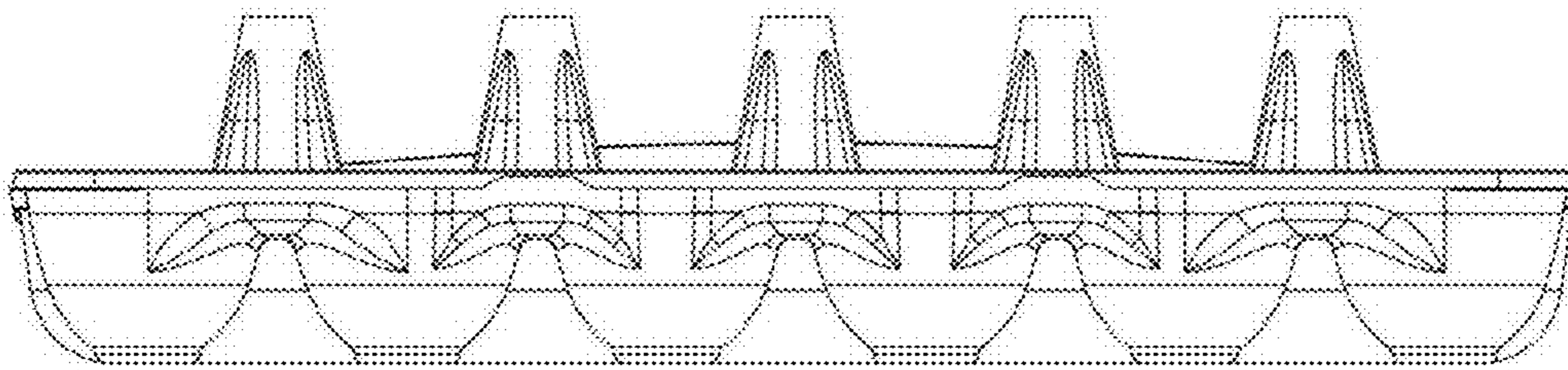
3.10



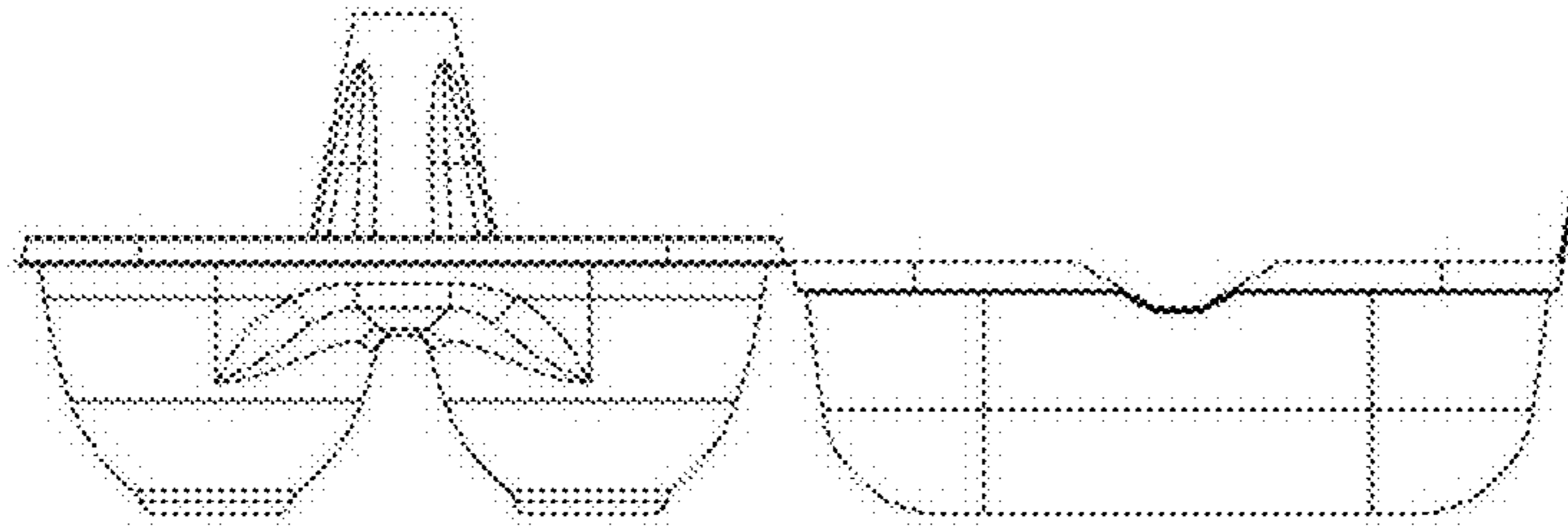
3.11



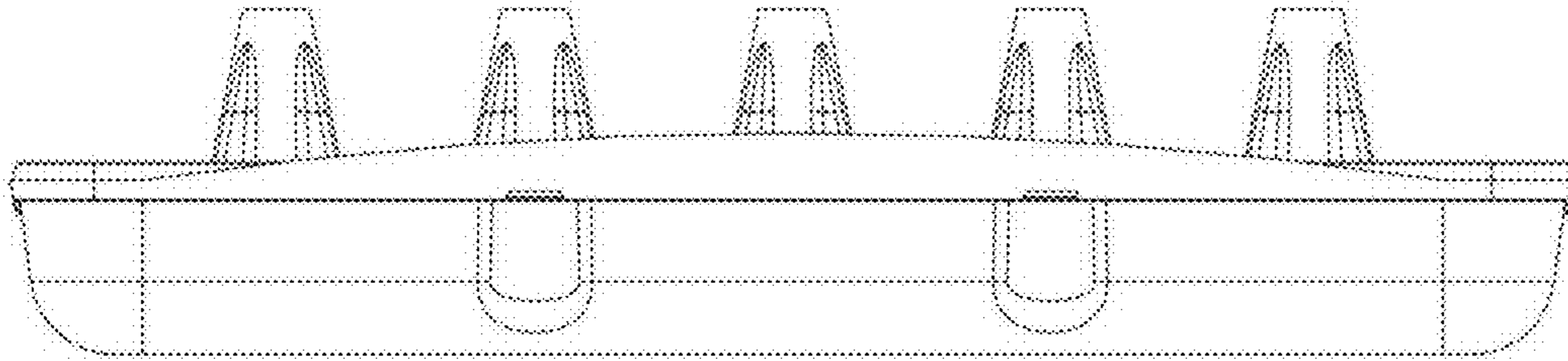
3.12



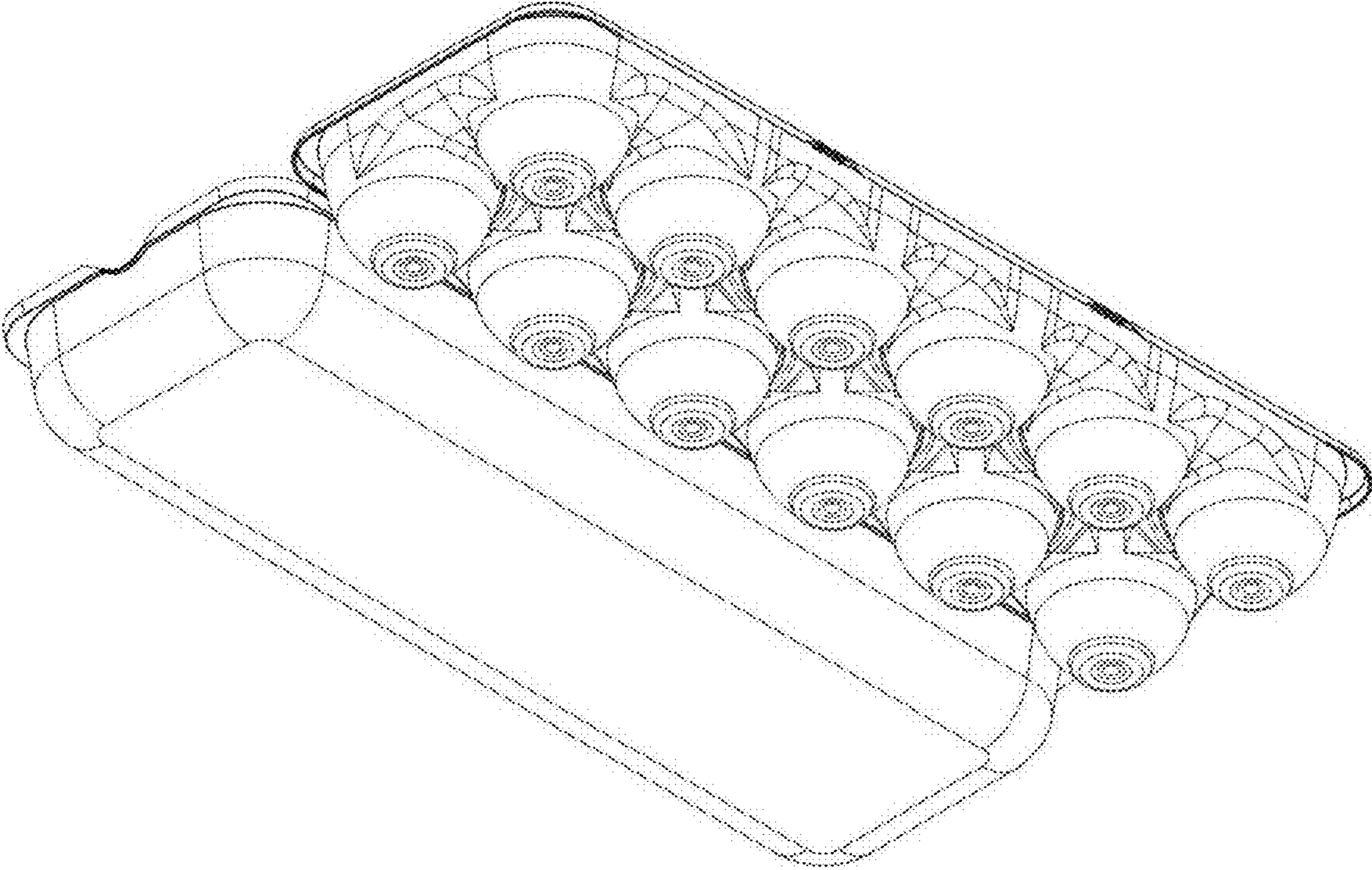
3.13



3.14



3.15



3.16

