



US00D788600S

(12) **United States Design Patent**
Lee et al.

(10) **Patent No.:** **US D788,600 S**
(45) **Date of Patent:** **** Jun. 6, 2017**

- (54) **CARTRIDGE DISPENSER**
- (71) Applicant: **ADKM, Inc.**, New York, NY (US)
- (72) Inventors: **Stuart Harvey Lee**, Forest Hills, NY (US); **Jochen Schaeppers**, New York, NY (US)
- (73) Assignee: **Harry's, Inc.**, New York, NY (US)
- (**) Term: **14 Years**
- (21) Appl. No.: **29/513,014**
- (22) Filed: **Dec. 24, 2014**
- (51) **LOC (10) Cl.** **09-03**
- (52) **U.S. Cl.**
USPC **D9/749**
- (58) **Field of Classification Search**
USPC D9/749, 735, 414, 418, 422, 432, 427, D9/420, 423, 430, 424, 732, 629, 429, D9/756, 759; D3/203.1–203.6, 272, 318, D3/273, 275, 279, 423, 294, 903, 205, D3/315, 281, 901; D6/632; D19/76; D24/216, 217, 224–232, 131; 206/354–360, 477, 478, 480, 486, 488, 206/352, 83, 528, 438, 63.5, 815, 508; 220/675, 351, 793, 839, 258.3, 263, 260, 220/835; 221/229
CPC A45C 11/34; A45D 27/225; A45D 33/006; A45D 40/22; B60R 9/055; H02G 3/081
See application file for complete search history.

(56) **References Cited**

U.S. PATENT DOCUMENTS

- D155,058 S * 8/1949 Weiss D9/756
- D216,635 S * 2/1970 Grange D9/748
- 3,915,362 A * 10/1975 Hart B60R 9/055
206/509
- D257,800 S * 1/1981 Pedersen D3/275

- D259,496 S * 6/1981 Hampshire D19/76
 - D273,051 S * 3/1984 Runyon D28/76
 - D278,745 S * 5/1985 Takahashi D24/139
- (Continued)

OTHER PUBLICATIONS

Harry's Blades, available Jan. 26, 2016, [online], [site visited Jul. 5, 2016]. Available from internet, <URL: <https://www.harrys.com/products/harrys-blades>>.*

(Continued)

Primary Examiner — Cathron Brooks
Assistant Examiner — Teddy Falloway

(74) *Attorney, Agent, or Firm* — Florek & Endres PLLC

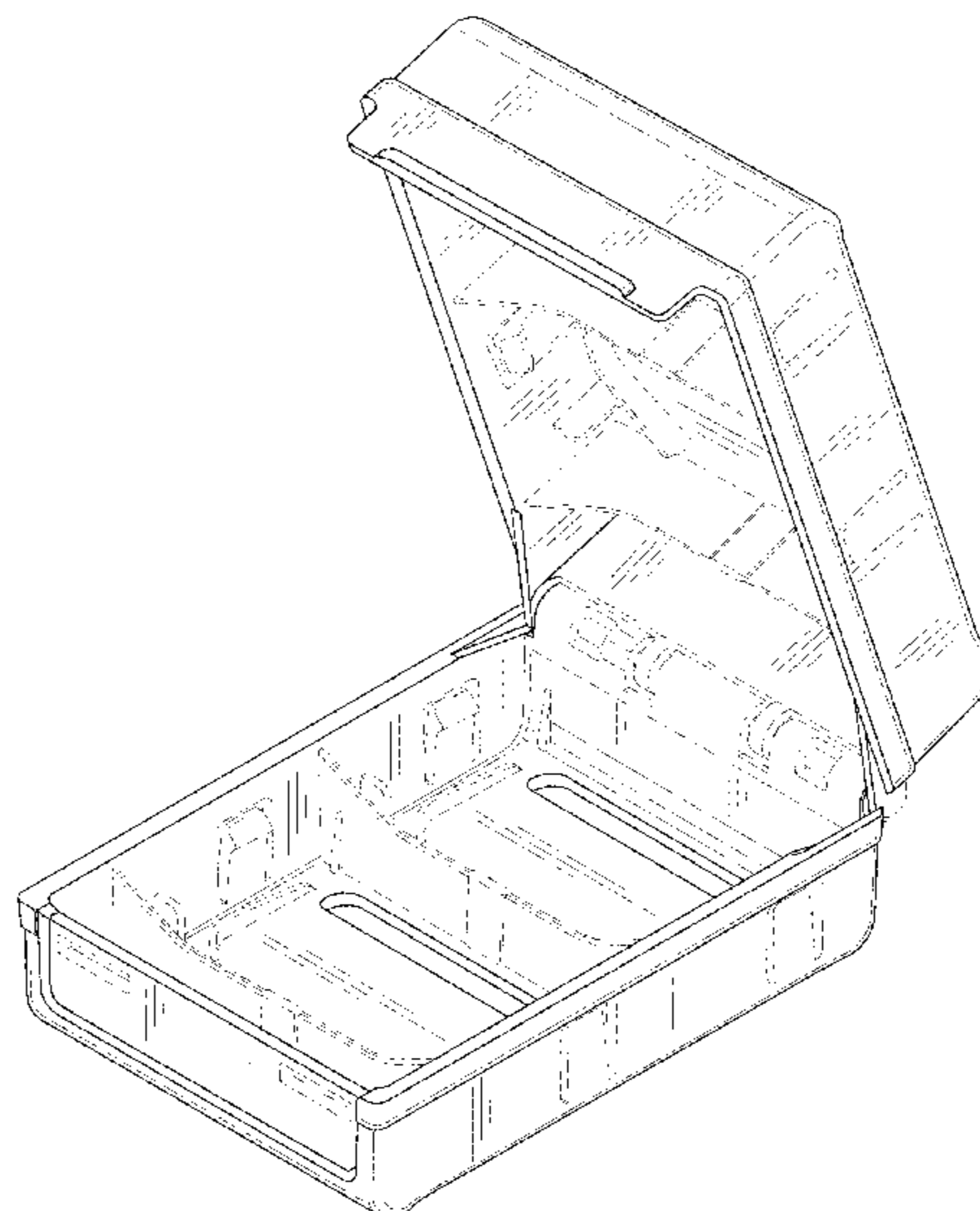
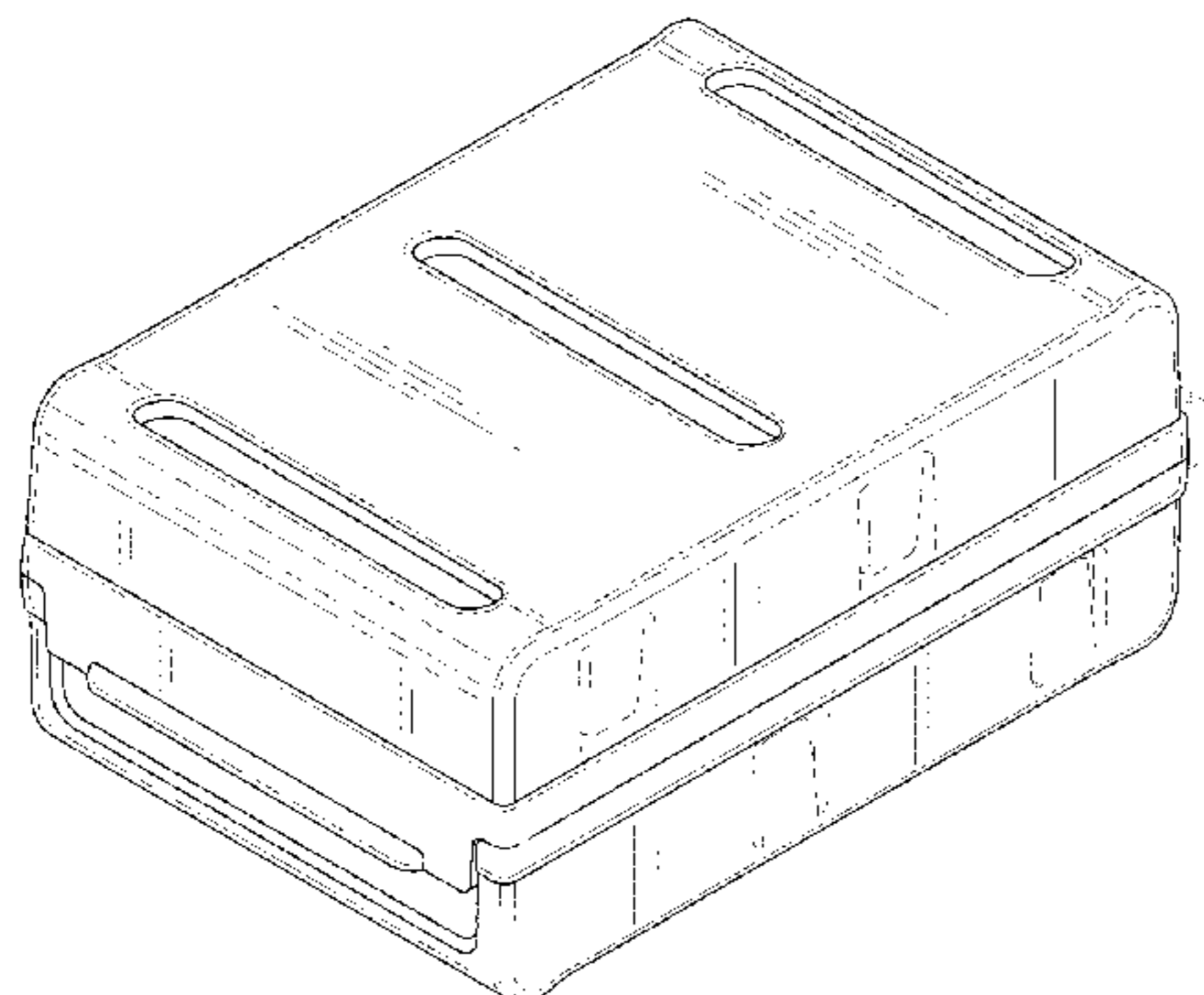
(57) **CLAIM**

The ornamental design for a cartridge dispenser, as shown and described.

DESCRIPTION

FIG. 1 is a perspective view of the cartridge dispenser the present invention in its closed configuration.
 FIG. 2 is a top plan view of the cartridge dispenser of FIG. 1.
 FIG. 3 is a bottom plan of the cartridge dispenser of FIG. 1.
 FIG. 4 is a left side elevation of the cartridge dispenser of FIG. 1.
 FIG. 5 is a right side elevation of the cartridge dispenser of FIG. 1.
 FIG. 6 is a rear elevation of the cartridge dispenser of FIG. 1.
 FIG. 7 is a front elevation of the cartridge dispenser of FIG. 1.
 FIG. 8 is a perspective view of the cartridge dispenser of the present invention in its fully open configuration; and, FIG. 9 is a perspective view of the cartridge dispenser of the present invention in its partially open configuration.
 The broken lines shown in the drawings illustrate portions of the cartridge dispenser that form no part of the claimed design.

1 Claim, 9 Drawing Sheets



(56)

References Cited

U.S. PATENT DOCUMENTS

D291,558 S * 8/1987 Fonville D3/272
 D292,175 S * 10/1987 Wolf D3/295
 4,906,057 A * 3/1990 Davi A45C 5/00
 206/425
 D324,952 S * 3/1992 Berland D3/203.1
 D333,264 S * 2/1993 Kaplan D3/264
 D338,331 S * 8/1993 Kin-Man Tse D19/76
 D352,859 S * 11/1994 Kirchner D19/76
 D358,055 S * 5/1995 Long D6/407
 D371,203 S * 6/1996 Deeds D24/217
 D373,221 S * 8/1996 Lai D28/83
 D389,639 S * 1/1998 Priebe D3/203.8
 D406,233 S * 3/1999 Kaplan D9/423
 6,021,891 A * 2/2000 Anderson A45C 11/34
 206/214
 6,237,612 B1 * 5/2001 Heyer A45C 13/1084
 132/293
 D454,430 S * 3/2002 Sijmons D3/279
 D484,305 S * 12/2003 Eldon, III D3/205
 D496,585 S * 9/2004 McBride D3/294
 D513,978 S * 1/2006 Isono D9/420
 D535,789 S * 1/2007 Meyers D28/83
 D585,733 S * 2/2009 Feibelman D9/418
 D605,034 S * 12/2009 Sarantis D9/430
 D620,376 S * 7/2010 Peyser D9/749
 D717,166 S * 11/2014 Lee D9/424
 D741,703 S * 10/2015 Janson D9/424
 D744,744 S * 12/2015 Lee D3/205
 D749,846 S * 2/2016 Koeniger D3/294

D749,848 S * 2/2016 Koeniger D3/294
 D759,971 S * 6/2016 Riddiford D3/279
 2004/0206370 A1 * 10/2004 Byun A45D 40/22
 132/287
 2007/0267315 A1 * 11/2007 Yoshida H02G 3/081
 206/509
 2015/0342319 A1 * 12/2015 Lee B26B 21/24
 206/354

OTHER PUBLICATIONS

Gillette Fusion Proglide Power Refill Razor 5-Blade Cartridges (via FastTech), available Mar. 22, 2013, [online], [site visited Jul. 5, 2016]. Available from internet, <URL: <https://www.fasttech.com/product/1289102-gillette-fusion-proglide-power-refill-razor-5-blade>>.*
 Merkur Safety Razor Box (via West Coast Shaving), available Aug. 3, 2010, [online], [site visited Jul. 5, 2016]. Available from internet, <URL: http://www.westcoastshaving.com/Merkur-Safety-Razor-Box_p_533.html>.*
 Vintage #1 1949 Gillette Super Speed Safety Razor in Original Box, available Sep. 7, 2011, [online], [site visited Jul. 5, 2016]. Available from internet, <URL: <http://vintage1945curvfitfemininesafetyrazor.blogspot.com/2011/09/vintage-1-1949-gillette-super-speed.html>>.*
 Vintage 1949 Gillette Super Speed Razor with case, available Jun. 22, 2011, [online], [site visited Jul. 5, 2016]. Available from internet, <URL: <http://vintagegilletterazorormatchboxholder.blogspot.com/2011/06/vintage-1949-gillette-super-speed-razor.html>>.*

* cited by examiner

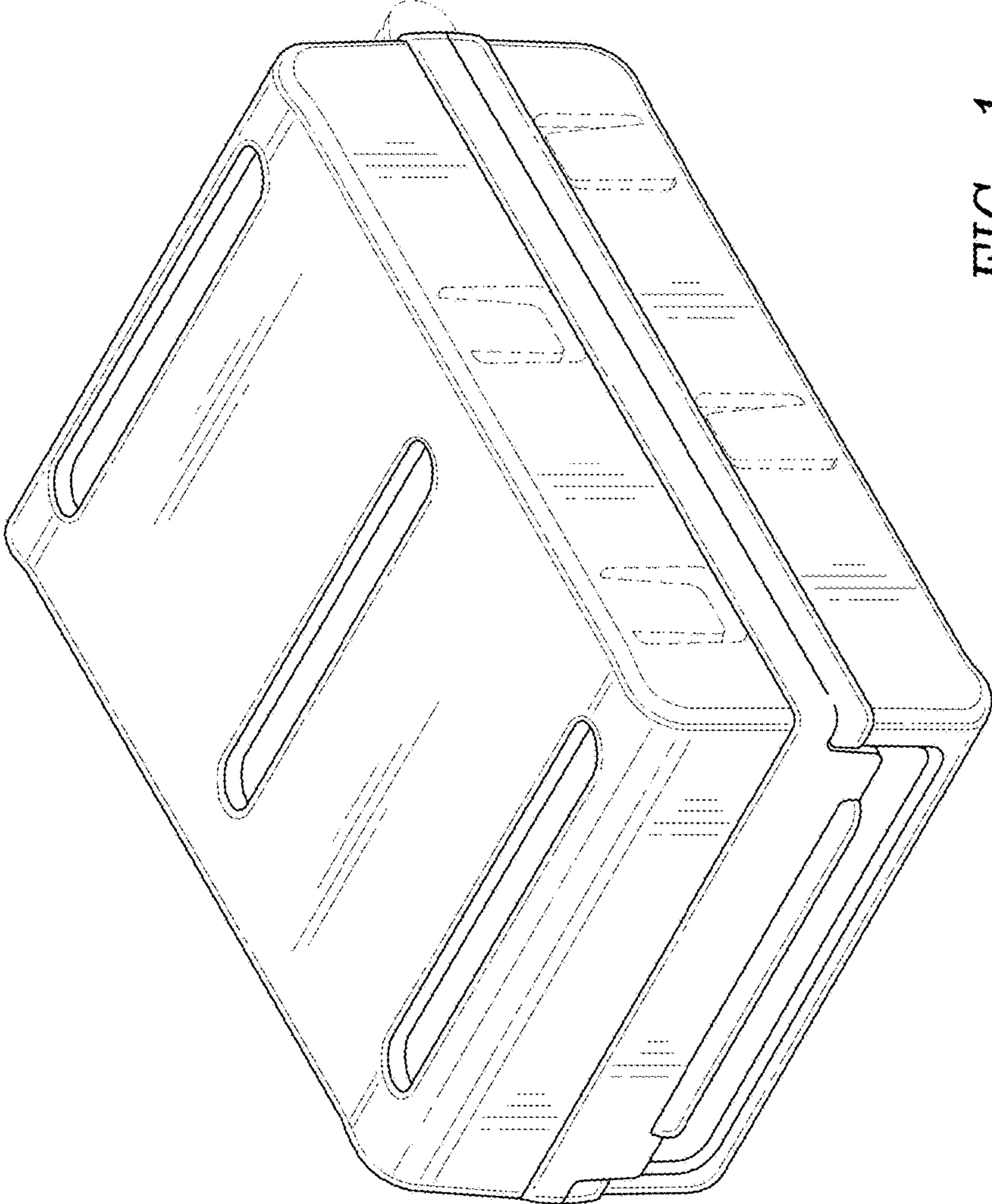


FIG. 1

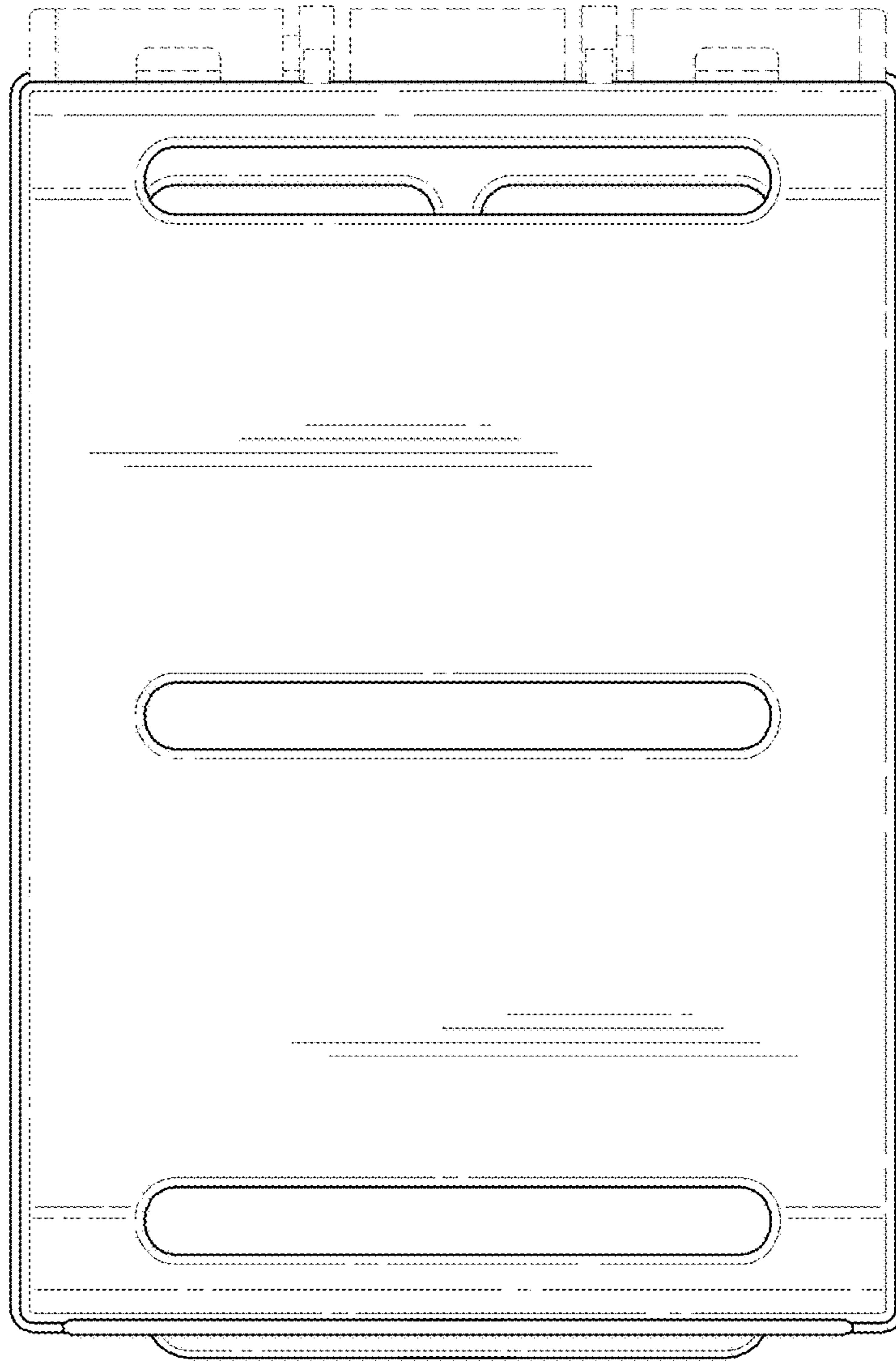


FIG. 2

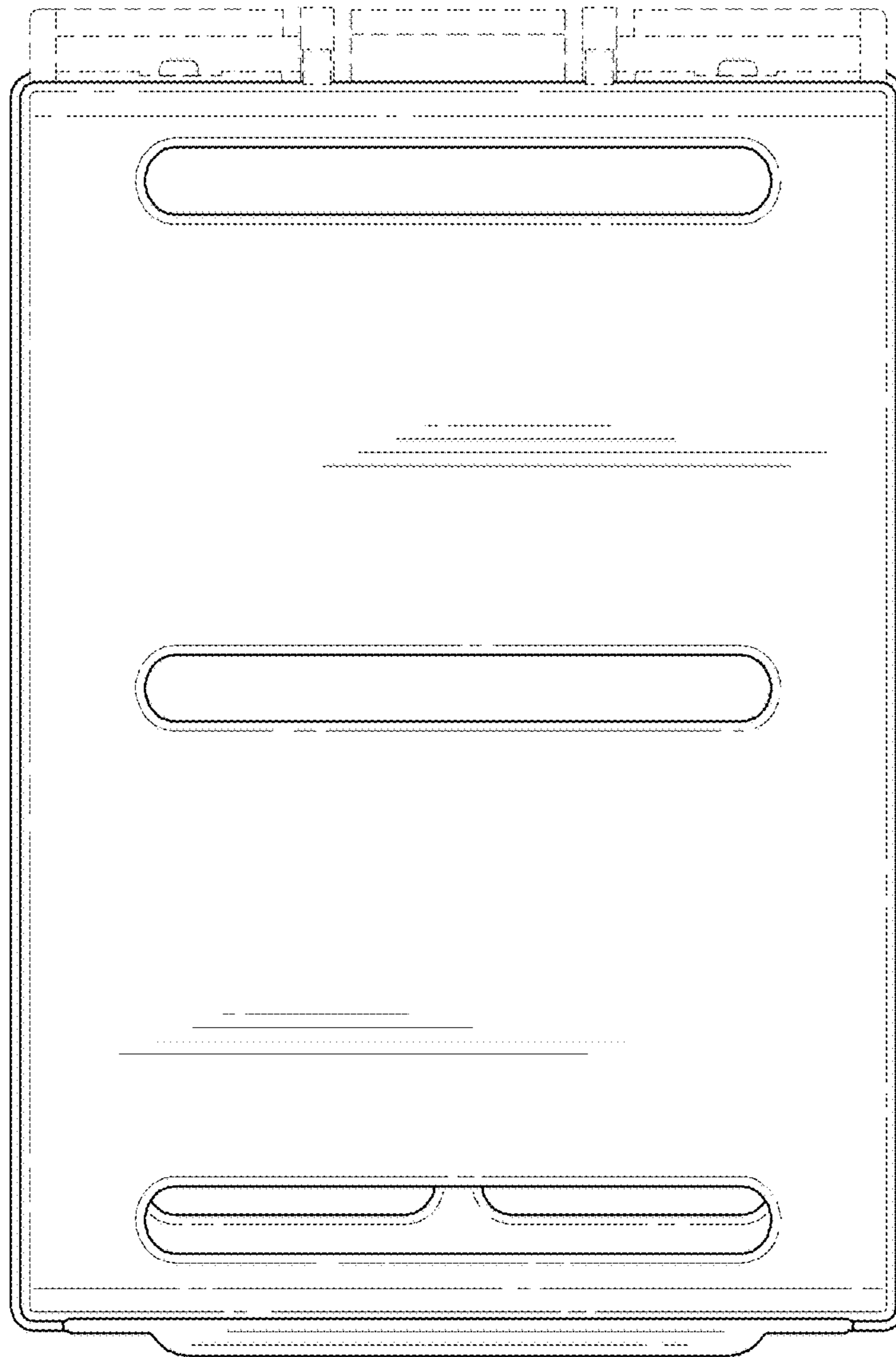


FIG. 3

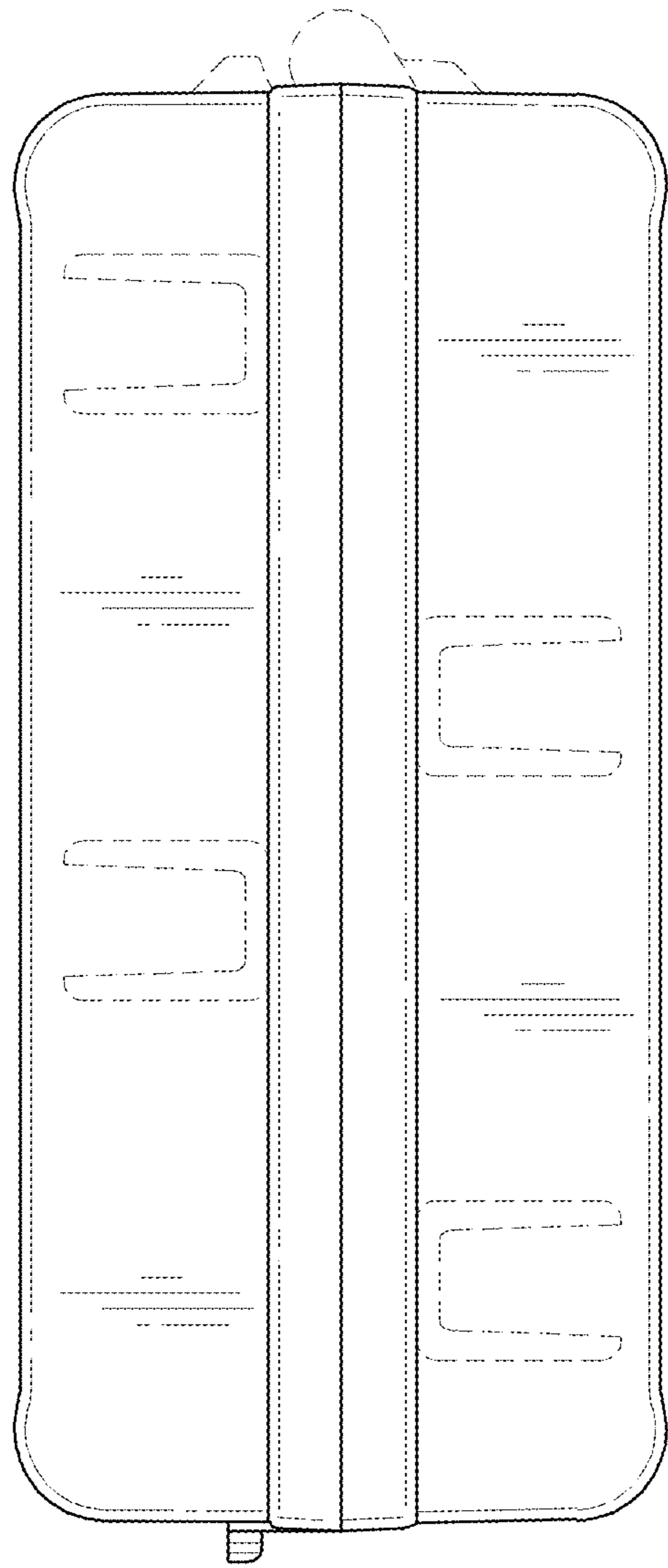


FIG. 4

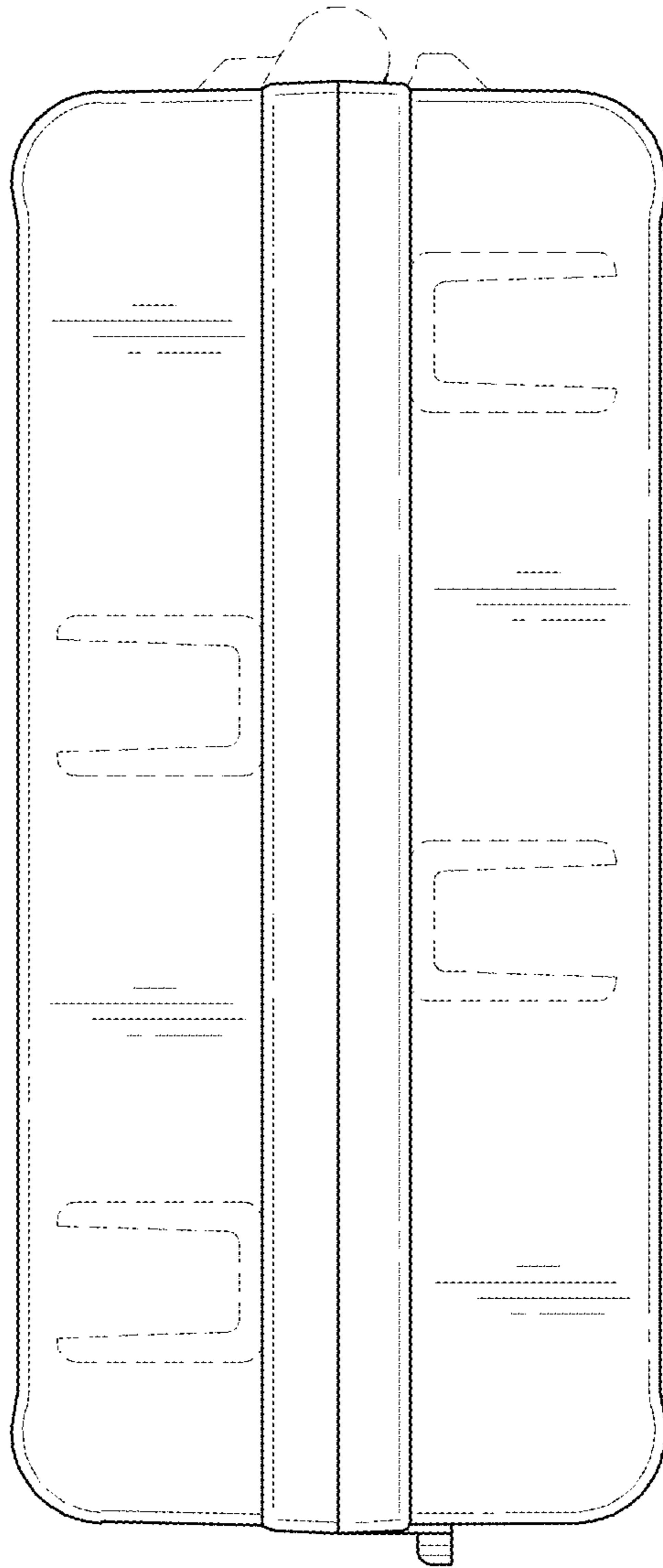


FIG. 5

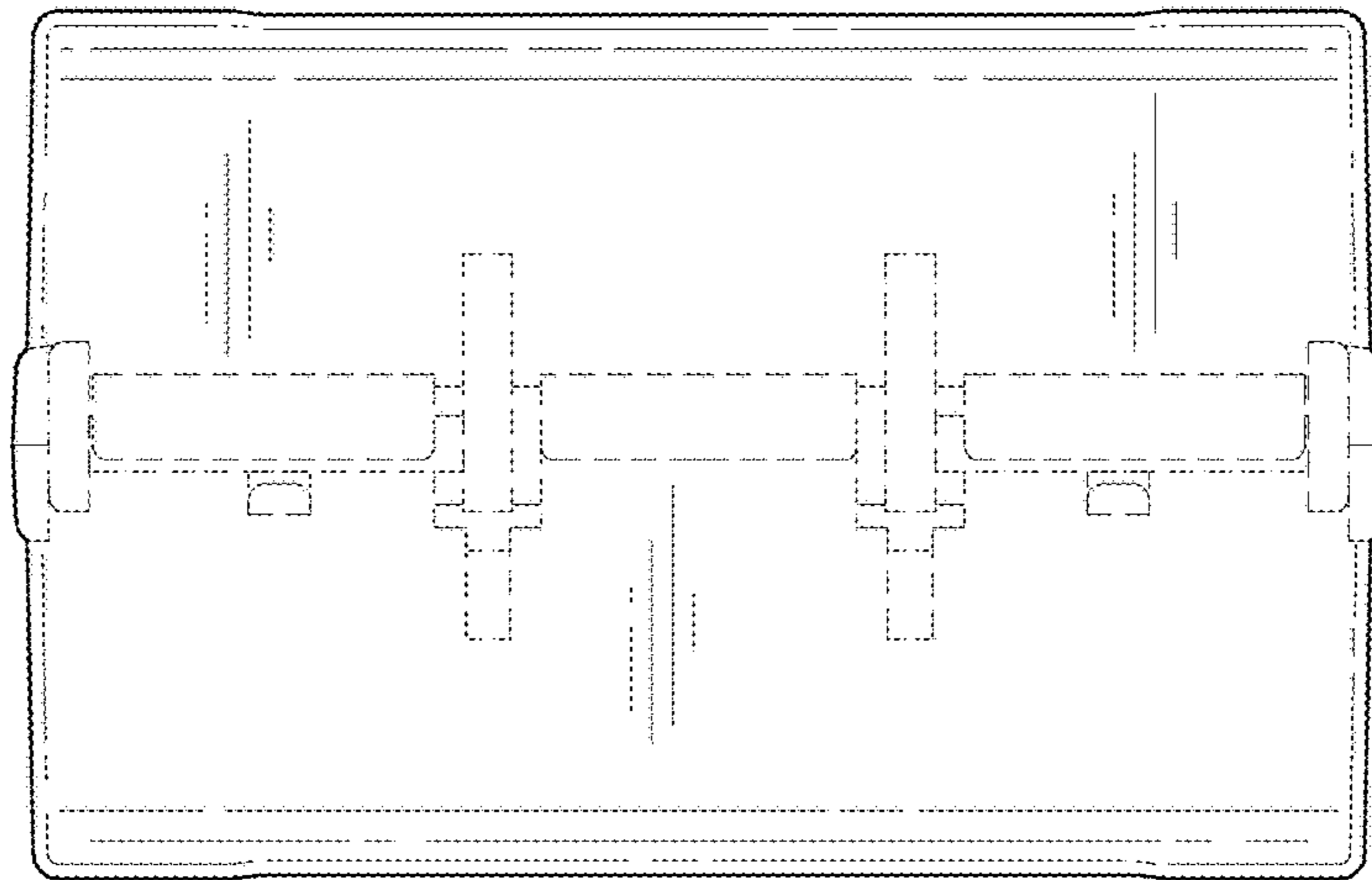


FIG. 6

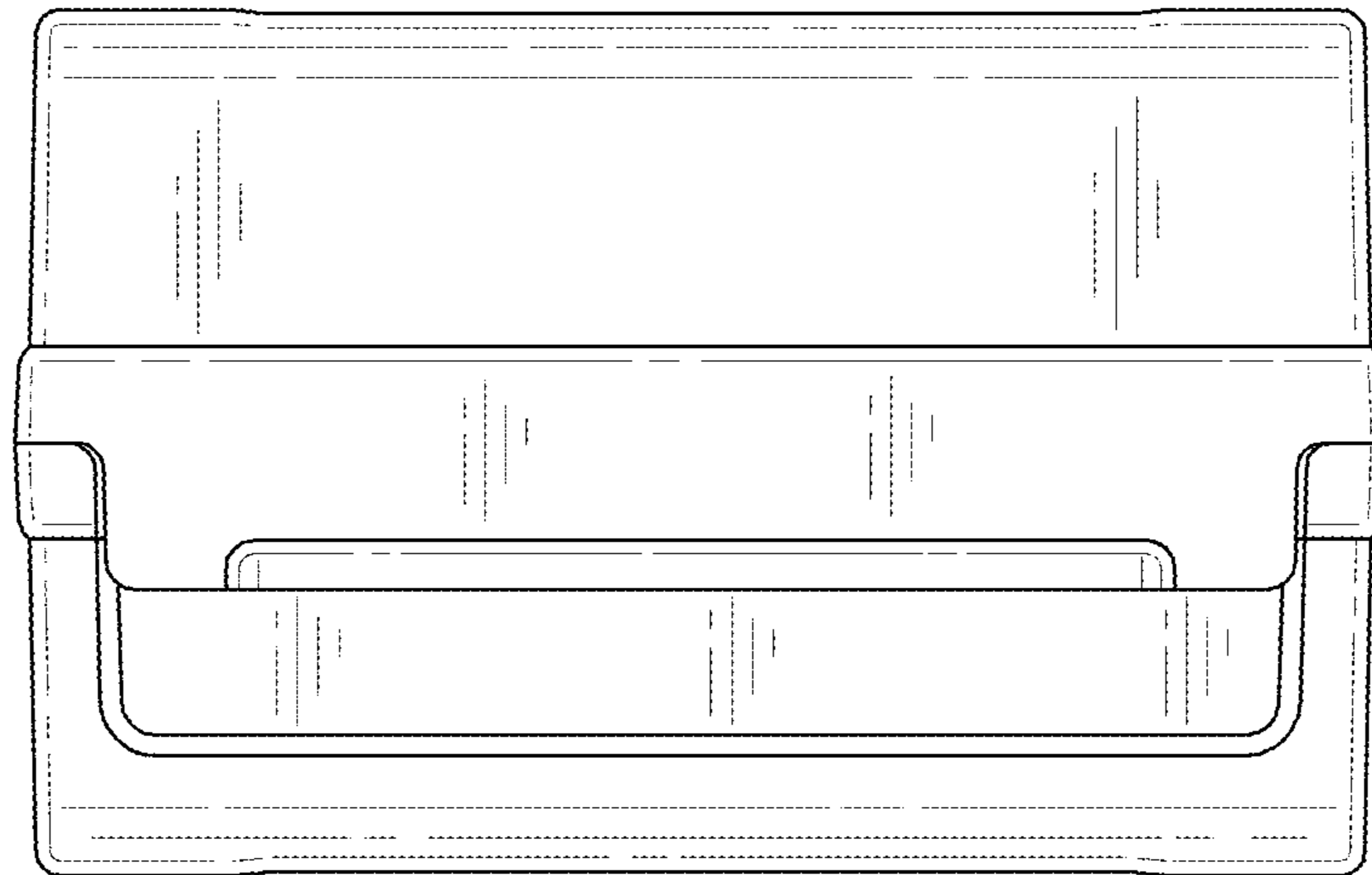


FIG. 7

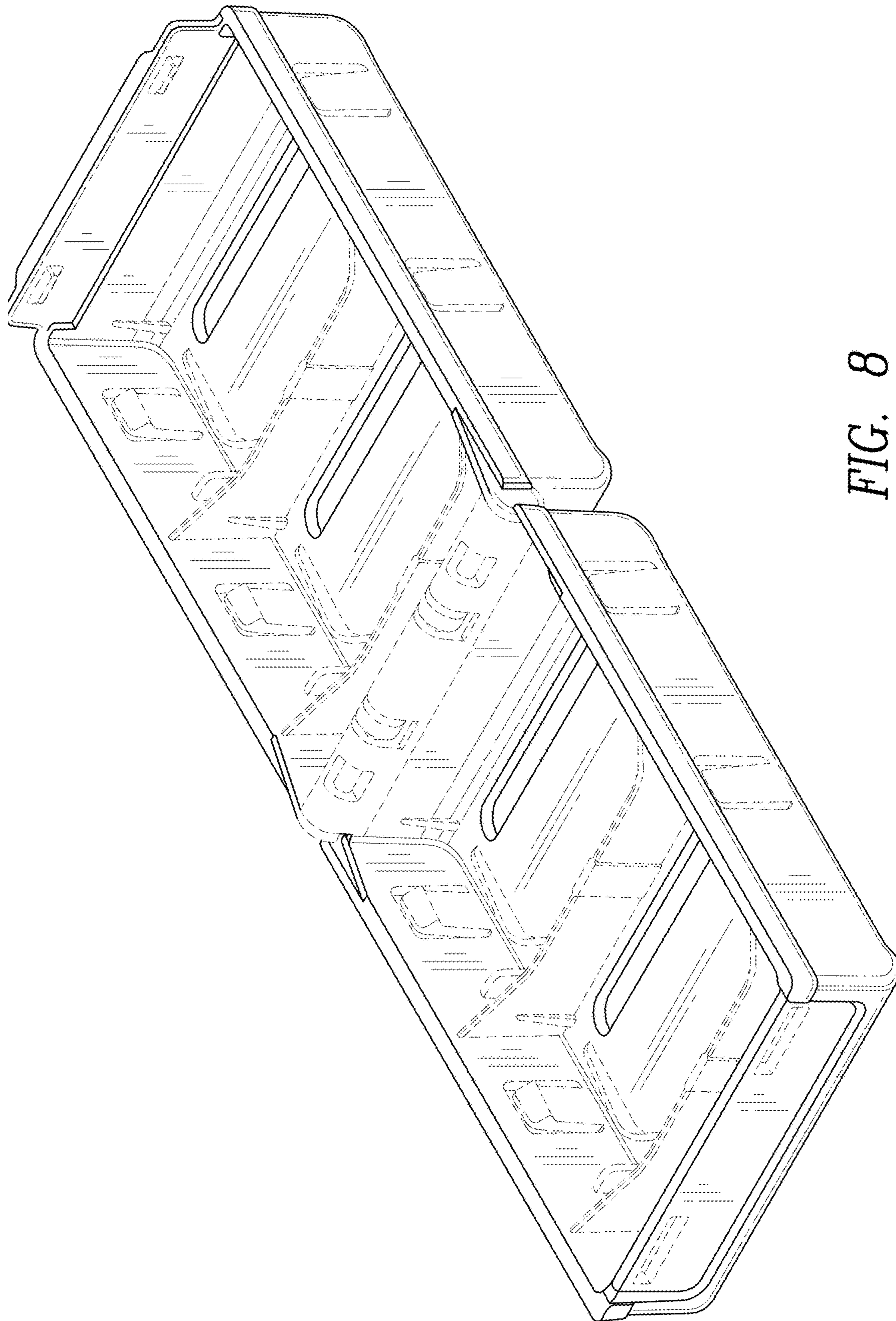


FIG. 8

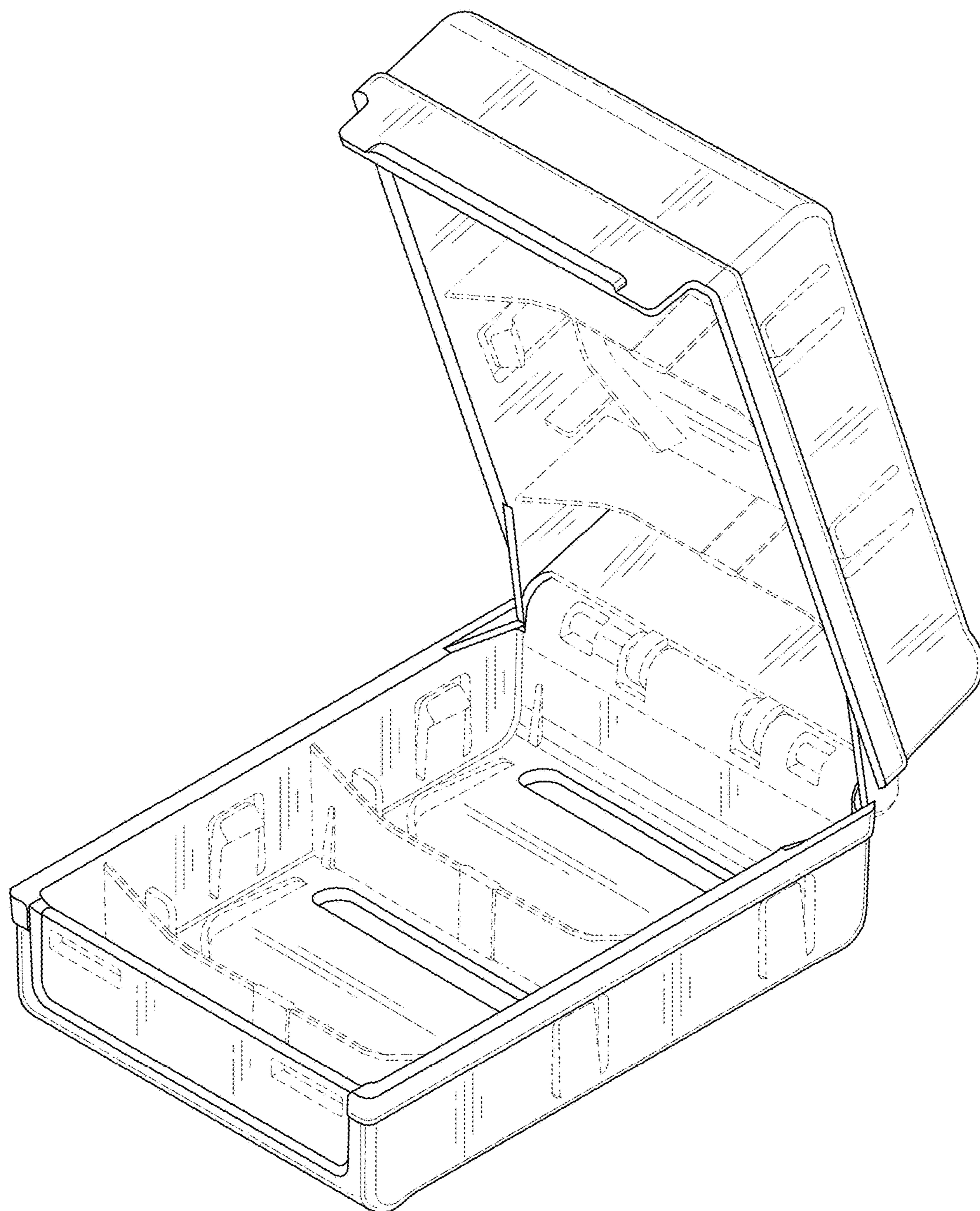


FIG. 9