



US00D788594S

(12) **United States Design Patent**
Elkouby

(10) **Patent No.:** **US D788,594 S**

(45) **Date of Patent:** **** Jun. 6, 2017**

(54) **PERFUME BOTTLE**

(71) Applicant: **LVMH FRAGRANCE BRANDS,**
Levallois-Perret (FR)

(72) Inventor: **Florence Elkouby, Paris (FR)**

(**) Term: **15 Years**

(21) Appl. No.: **35/500,098**

(22) Filed: **Jun. 19, 2015**

(80) **Hague Agreement Data**

Int. Filing Date: **Jun. 19, 2015**

Int. Reg. No.: **DM/087151**

Int. Reg. Date: **Jun. 19, 2015**

Int. Reg. Pub. Date: **Aug. 21, 2015**

(30) **Foreign Application Priority Data**

Feb. 25, 2015 (EM) 002641282-0001

(51) **LOC (10) Cl.** **09-01**

(52) **U.S. Cl.**
USPC **D9/566; D9/682**

(58) **Field of Classification Search**
USPC D9/445, 452, 454, 529; D5/50-54;
D7/392.1; D24/224; 220/200, 281, 288,
220/293, 376
CPC B65D 1/00; B65D 1/02; B65D 1/0207;
B65D 1/0223
See application file for complete search history.

(56) **References Cited**

U.S. PATENT DOCUMENTS

D210,115 S * 2/1968 Armour D9/529
D229,723 S * 12/1973 Grimes D24/197

D493,364 S * 7/2004 Papiernik D9/687
D520,374 S * 5/2006 Herrmann D9/561
D573,893 S * 7/2008 Moretti D9/560
D577,602 S * 9/2008 Pphemster D9/687
D619,467 S * 7/2010 Bogosyan D9/529
D670,174 S * 11/2012 Hague D9/563
D673,856 S * 1/2013 Snyder D9/522
D693,692 S * 11/2013 Grossfield D9/544
D694,636 S * 12/2013 Grossfield D9/544
D723,374 S * 3/2015 Rashid D9/435
D731,893 S * 6/2015 Chung D9/529
D740,666 S * 10/2015 Corradini D9/445
D740,673 S * 10/2015 Corradini D9/445
D740,680 S * 10/2015 Christian D9/561
D746,144 S * 12/2015 Vieira Santos D9/537
D757,559 S * 5/2016 Sanghavi D9/559

* cited by examiner

Primary Examiner — Darlington Ly

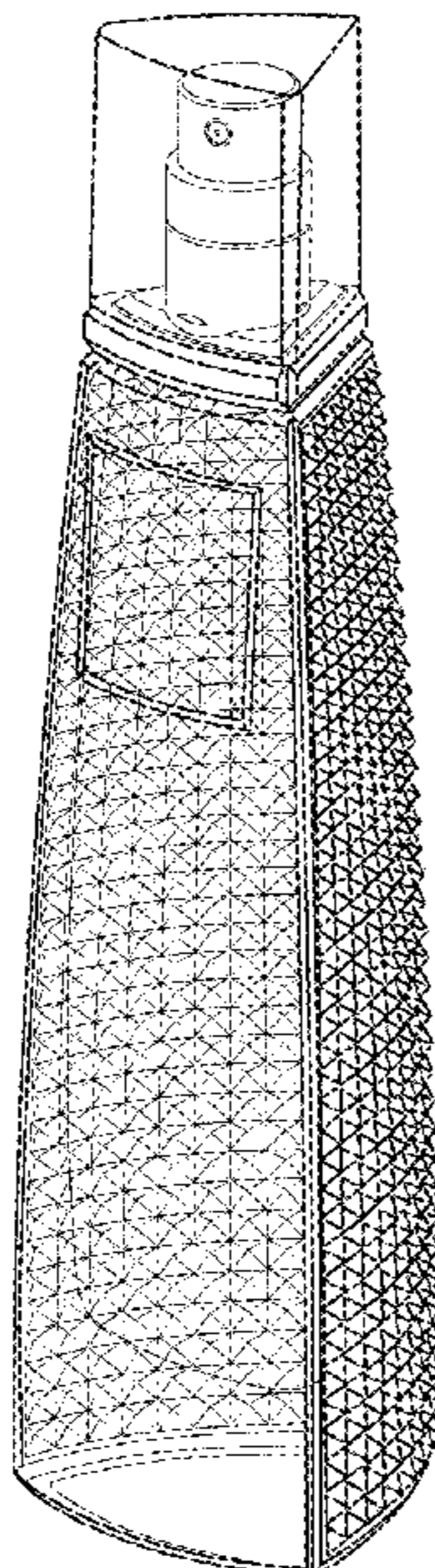
(57) **CLAIM**

The ornamental design for a perfume bottle, as shown and described.

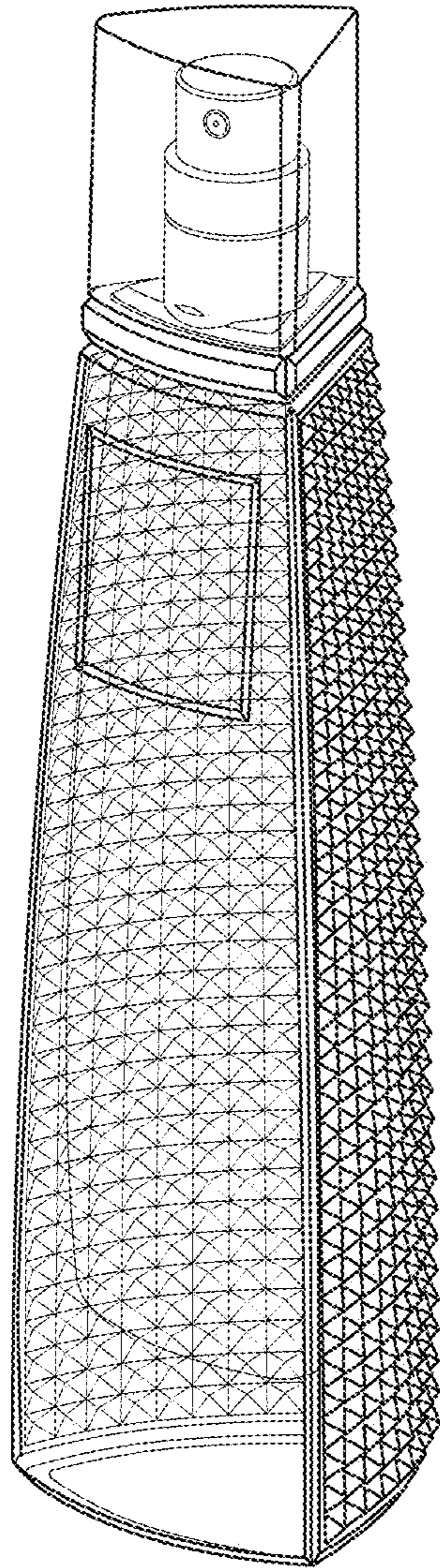
DESCRIPTION

1. Perfume bottle
1.1 is a front and side perspective of the perfume bottle showing my new design;
1.2 is a front elevation view thereof;
1.3 is a rear elevation view thereof;
1.4 is a bottom plan view thereof;
1.5 is a top plan view thereof;
1.6 is a left side elevation view thereof; and
1.7 is a right side elevation view thereof.

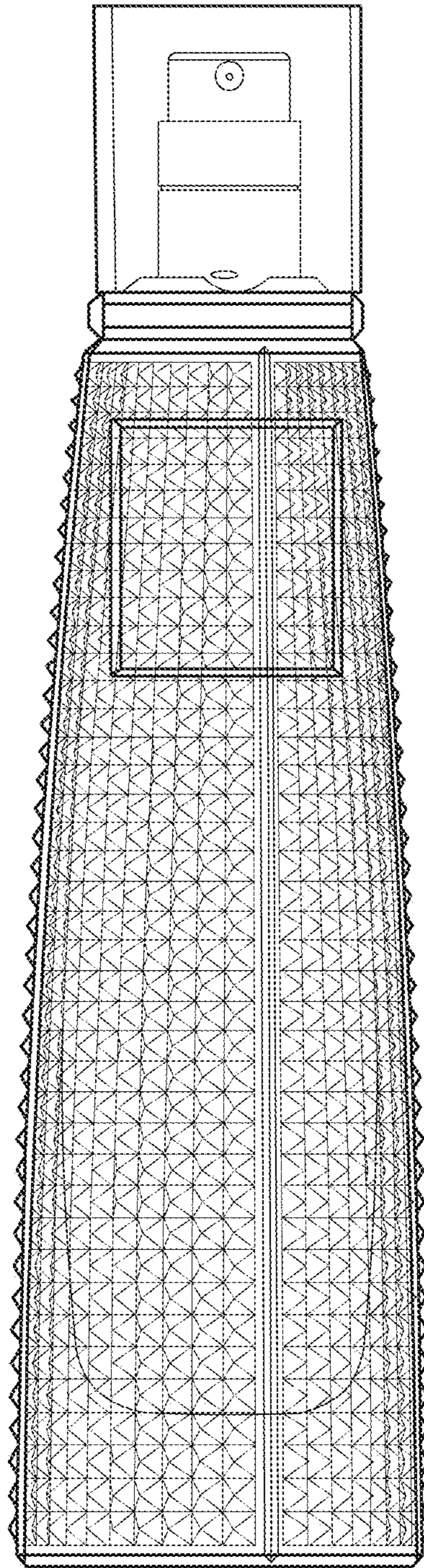
1 Claim, 7 Drawing Sheets



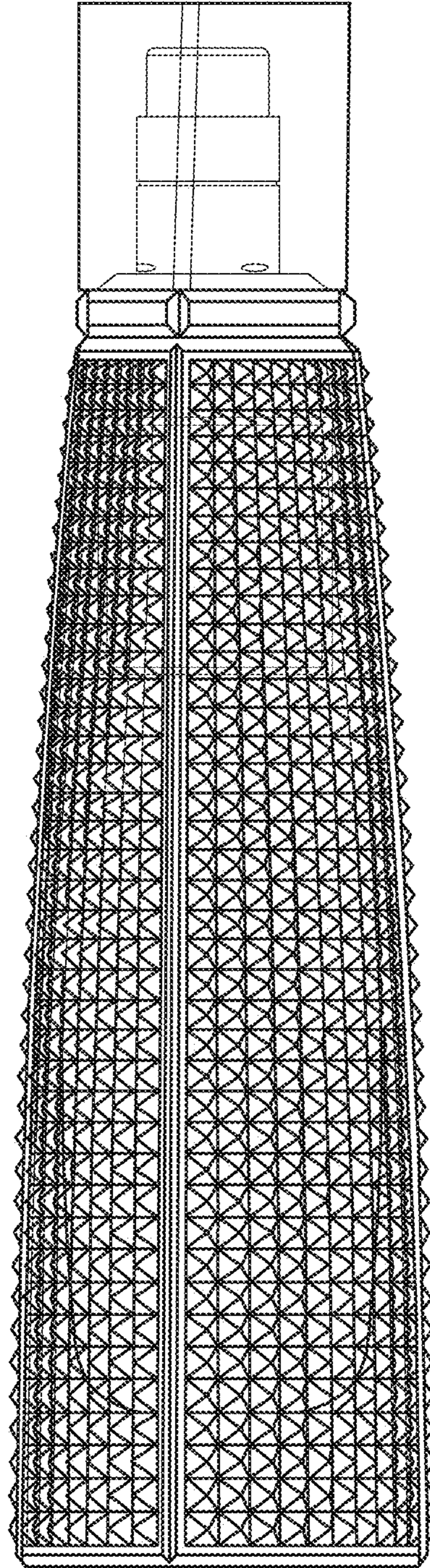
1.1



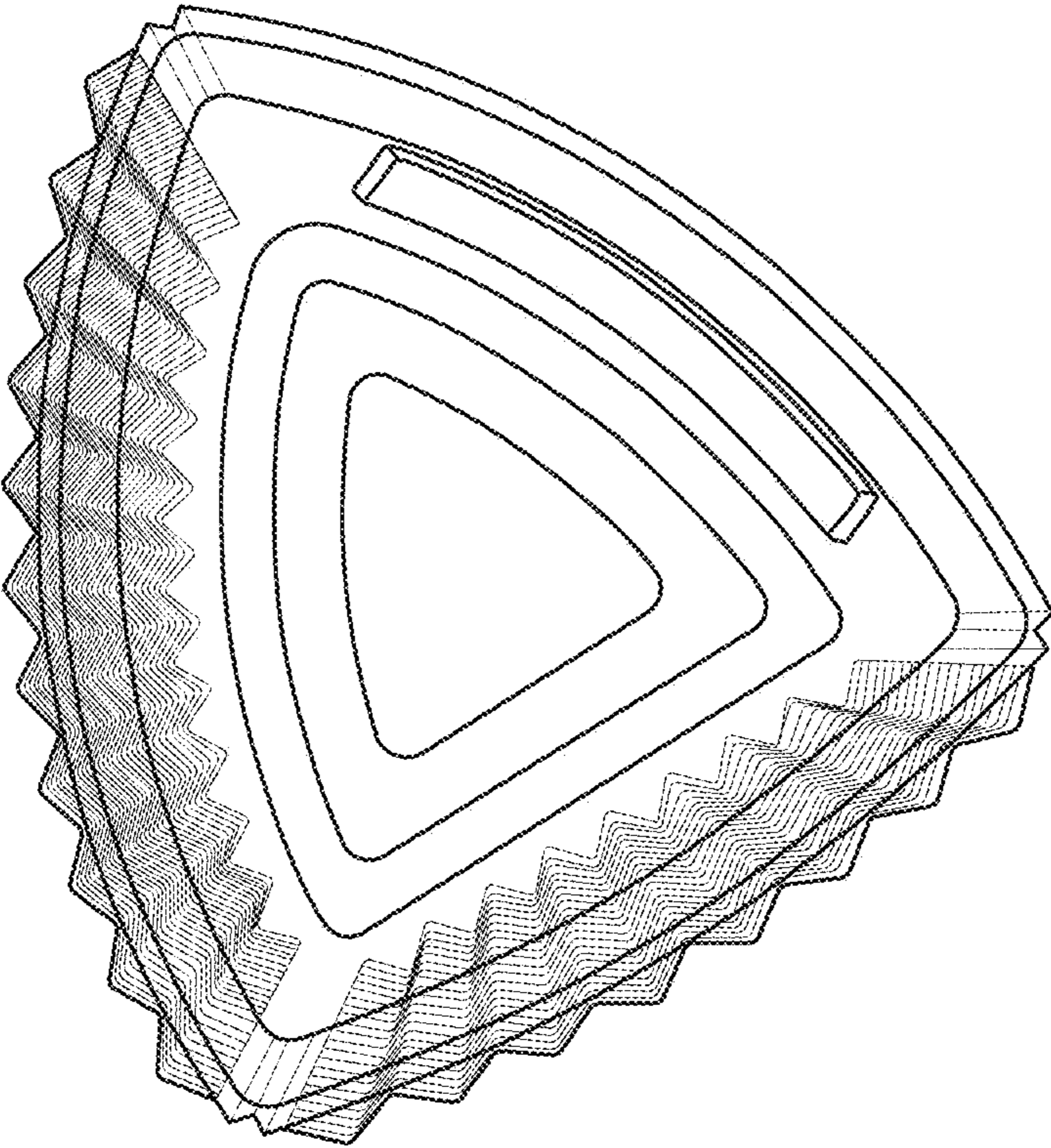
1.2



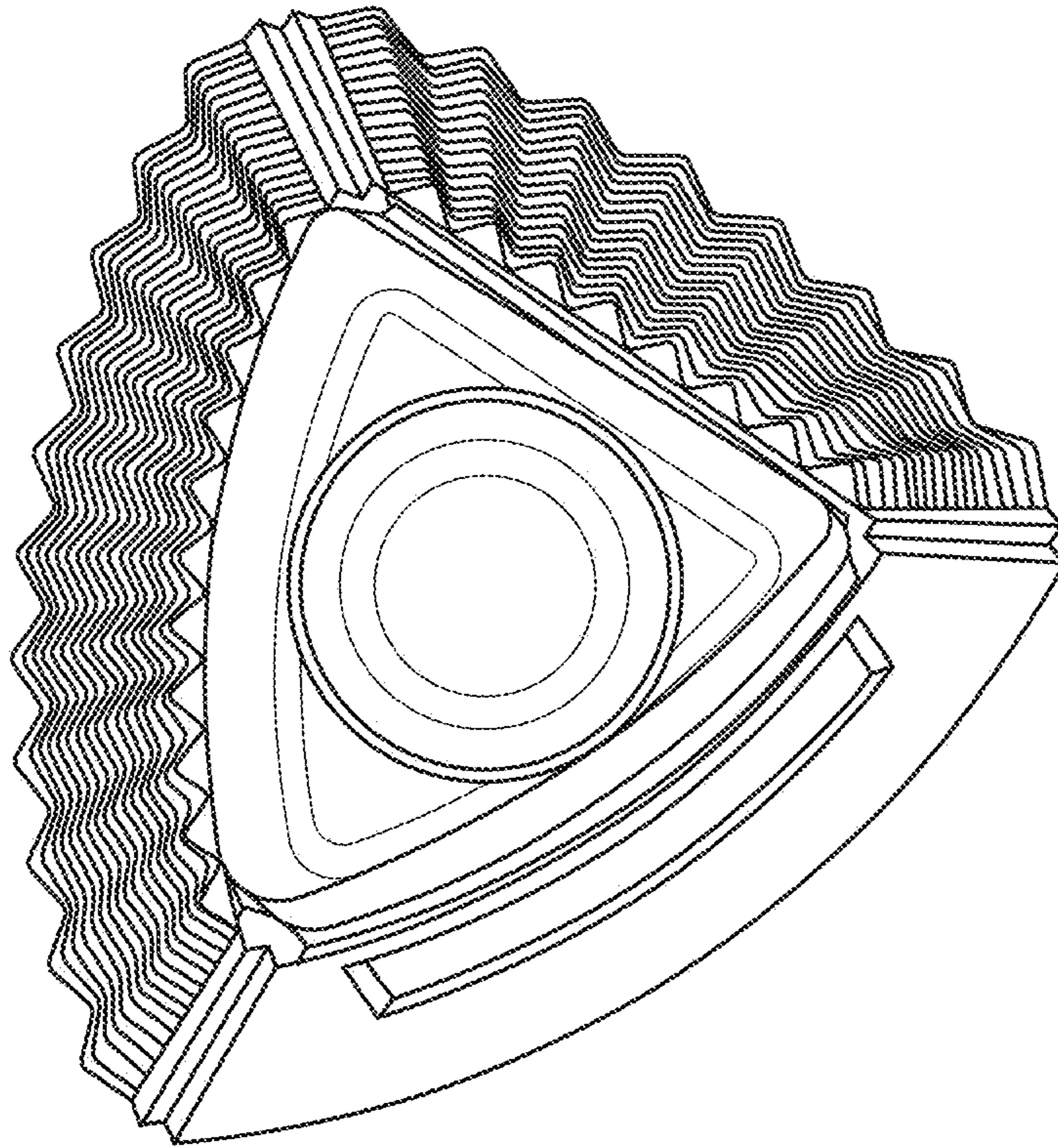
1.3



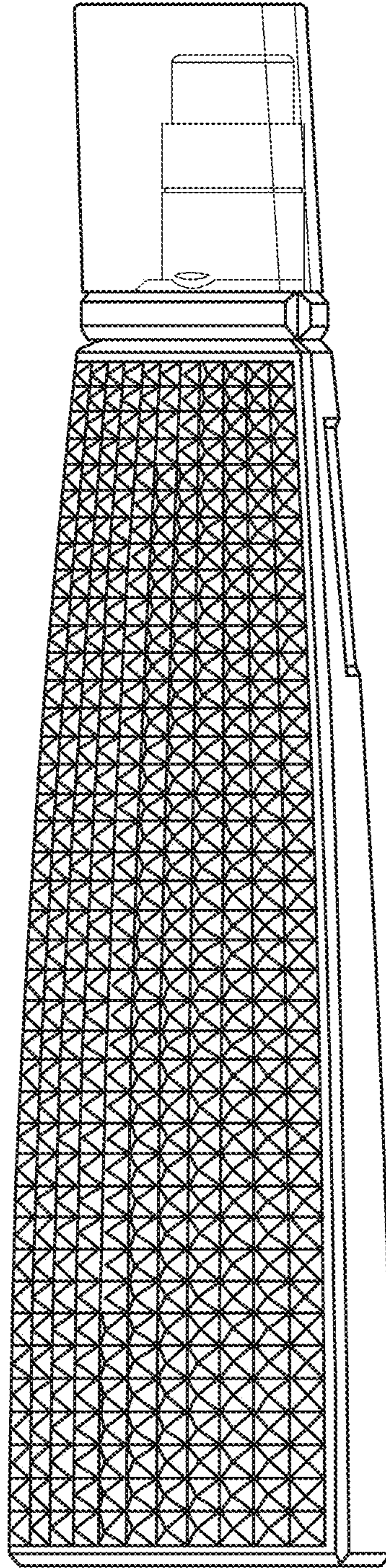
1.4



1.5



1.6



1.7

