



US00D788592S

(12) **United States Design Patent**  
**Shaver et al.**

(10) **Patent No.:** **US D788,592 S**

(45) **Date of Patent:** **\*\* Jun. 6, 2017**

(54) **PLASTIC CONTAINER**

(71) Applicant: **Ring Container Technologies,**  
Oakland, TN (US)

(72) Inventors: **Rusty Shaver,** Oakland, TN (US);  
**Daniel M. Futral,** Somerville, TN (US)

(73) Assignee: **RING CONTAINER**  
**TECHNOLOGIES,** Oakland, TN (US)

(\*\*) Term: **14 Years**

(21) Appl. No.: **29/509,808**

(22) Filed: **Nov. 21, 2014**

(51) **LOC (10) Cl.** ..... **09-01**

(52) **U.S. Cl.**  
USPC ..... **D9/542**

(58) **Field of Classification Search**  
USPC ..... D9/682-684, 715, 719, 723-729,  
D9/763-783, 516-522, 529-575  
CPC ..... B65D 1/00; B65D 1/02; B65D 1/0223;  
B65D 1/023; B65D 1/0246; B65D  
1/0261; B65D 1/0276; B65D 1/10; B65D  
1/40; B65D 23/00; B65D 23/10; B65D  
2501/0009; B65D 2501/0081

See application file for complete search history.

(56) **References Cited**

**U.S. PATENT DOCUMENTS**

D211,156 S *	5/1968	Wilson .....	D9/542
D228,742 S *	10/1973	McCaleb et al. ....	D9/542
D426,164 S *	6/2000	Gans .....	D9/541
D448,675 S *	10/2001	Thierjung .....	D9/541
D465,418 S *	11/2002	Thierjung .....	D9/542
D496,855 S *	10/2004	Trude .....	D9/543
D561,033 S *	2/2008	Pritchett, Jr. ....	D9/530
D598,291 S *	8/2009	Serrano Diaz .....	D9/542

D607,743 S *	1/2010	Eble .....	D9/559
D612,257 S *	3/2010	Wurster .....	D9/560
D619,012 S *	7/2010	Eble .....	D9/542
D639,175 S *	6/2011	Venkataraman .....	D9/541
D666,914 S *	9/2012	Elstow .....	D9/539
D701,769 S *	4/2014	Eble .....	D9/520
D722,884 S *	2/2015	Eble .....	D9/543
9,033,194 B1 *	5/2015	Grabowski .....	B65D 83/04 222/185.1
2006/0175284 A1 *	8/2006	Noll .....	B65D 1/0261 215/382
2009/0266783 A1 *	10/2009	Eble .....	B65D 1/023 215/44
2015/0158620 A1 *	6/2015	Sekiguchi .....	B65D 1/32 215/382

\* cited by examiner

*Primary Examiner* — Catherine Tuttle

(74) *Attorney, Agent, or Firm* — Sorell, Lenna &  
Schmidt, LLP

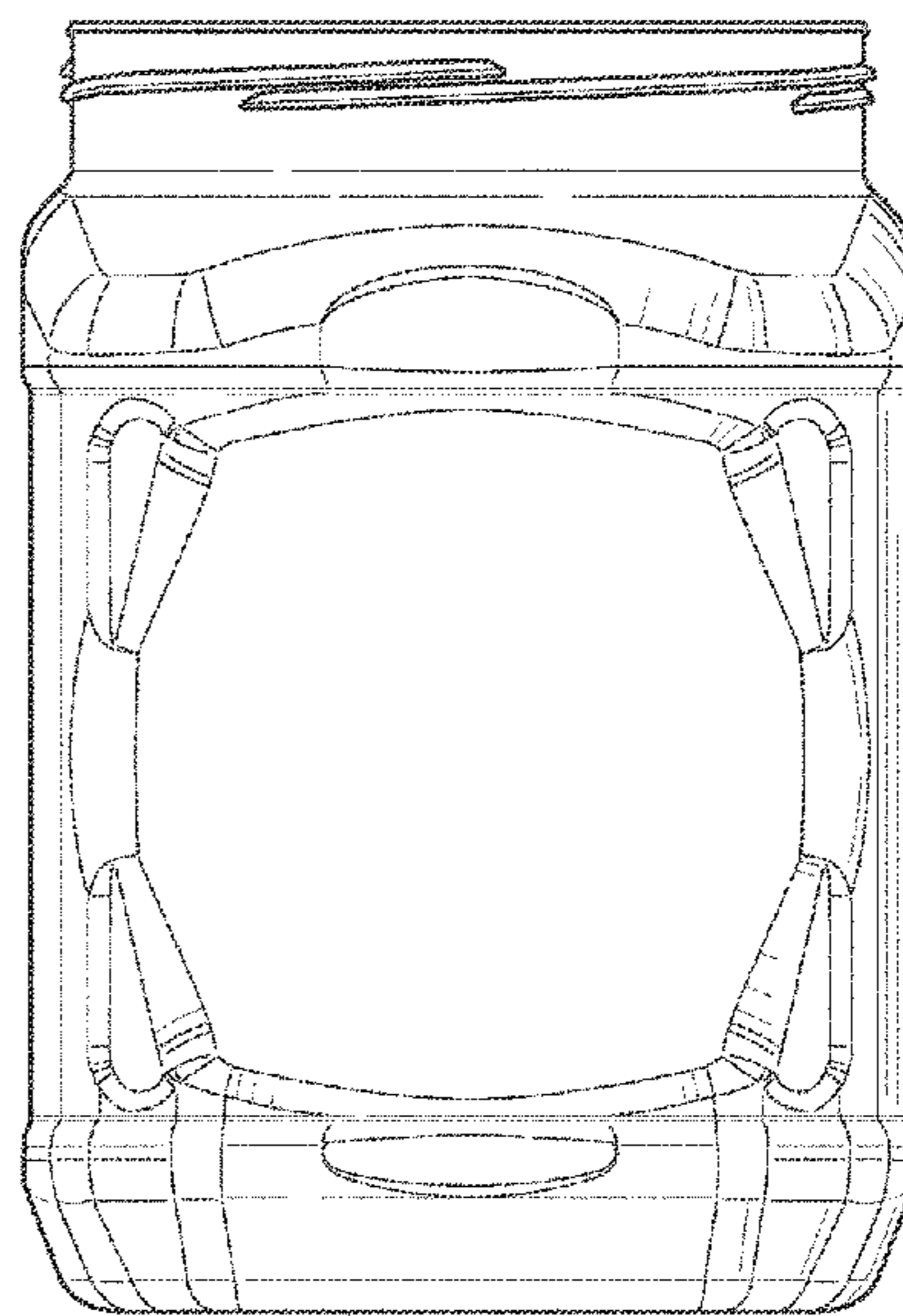
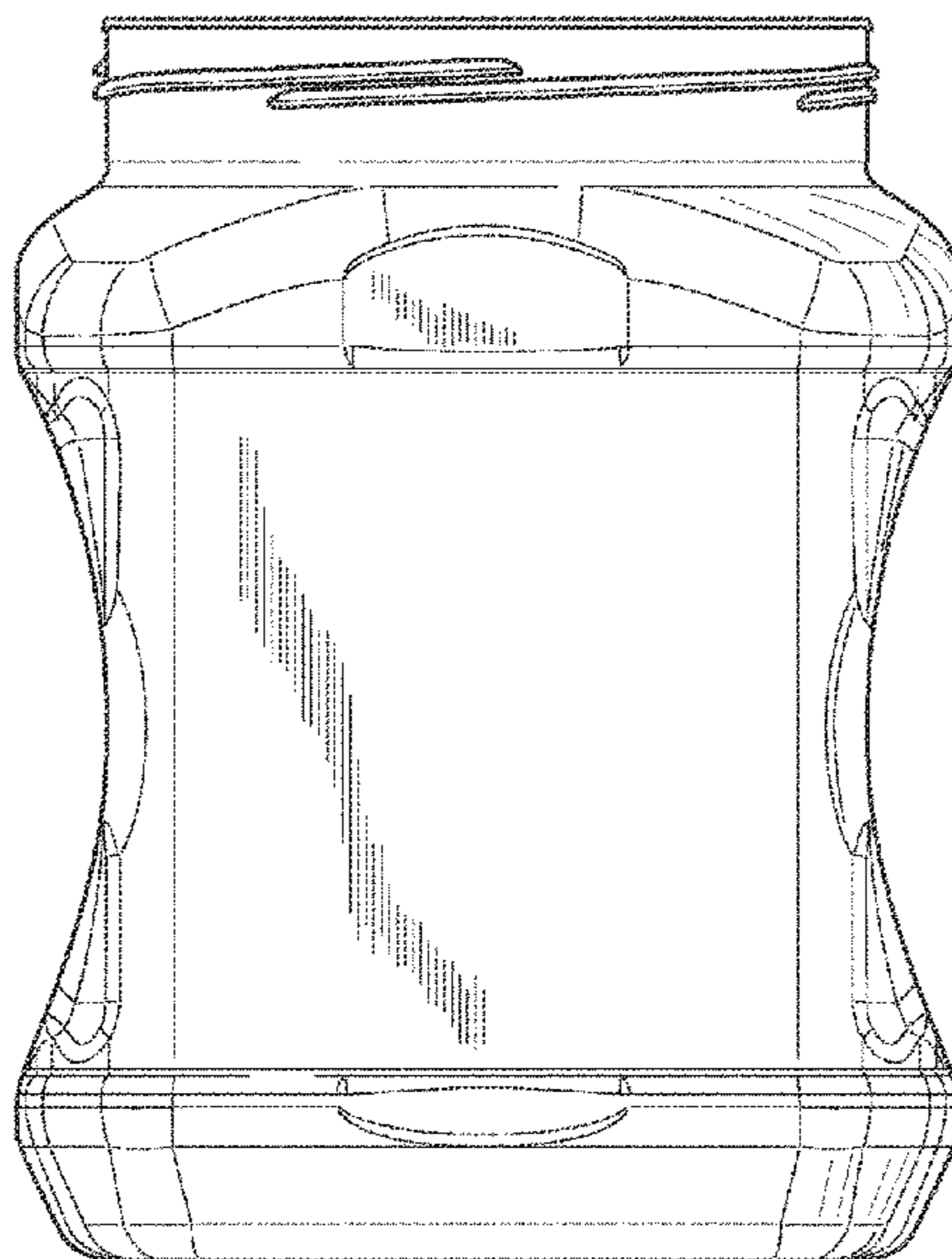
(57) **CLAIM**

The ornamental design for a plastic container, as shown and described.

**DESCRIPTION**

FIG. 1 is a side elevation view of a plastic container showing our new design;  
FIG. 2 is an elevational view of the opposite side of FIG. 1;  
FIG. 3 is an elevational view rotated 90° degrees from FIG. 1;  
FIG. 4 is an elevational view of the opposite side of FIG. 3;  
FIG. 5 is a top plan view thereof; and,  
FIG. 6 is a bottom plan view thereof.  
The broken lines in the drawings illustrate the portions of the container that form no part of the claimed design.  
The appearance within the unshaded regions of FIGS. 3, 4 and 5 forms no part of the claimed design.

**1 Claim, 5 Drawing Sheets**



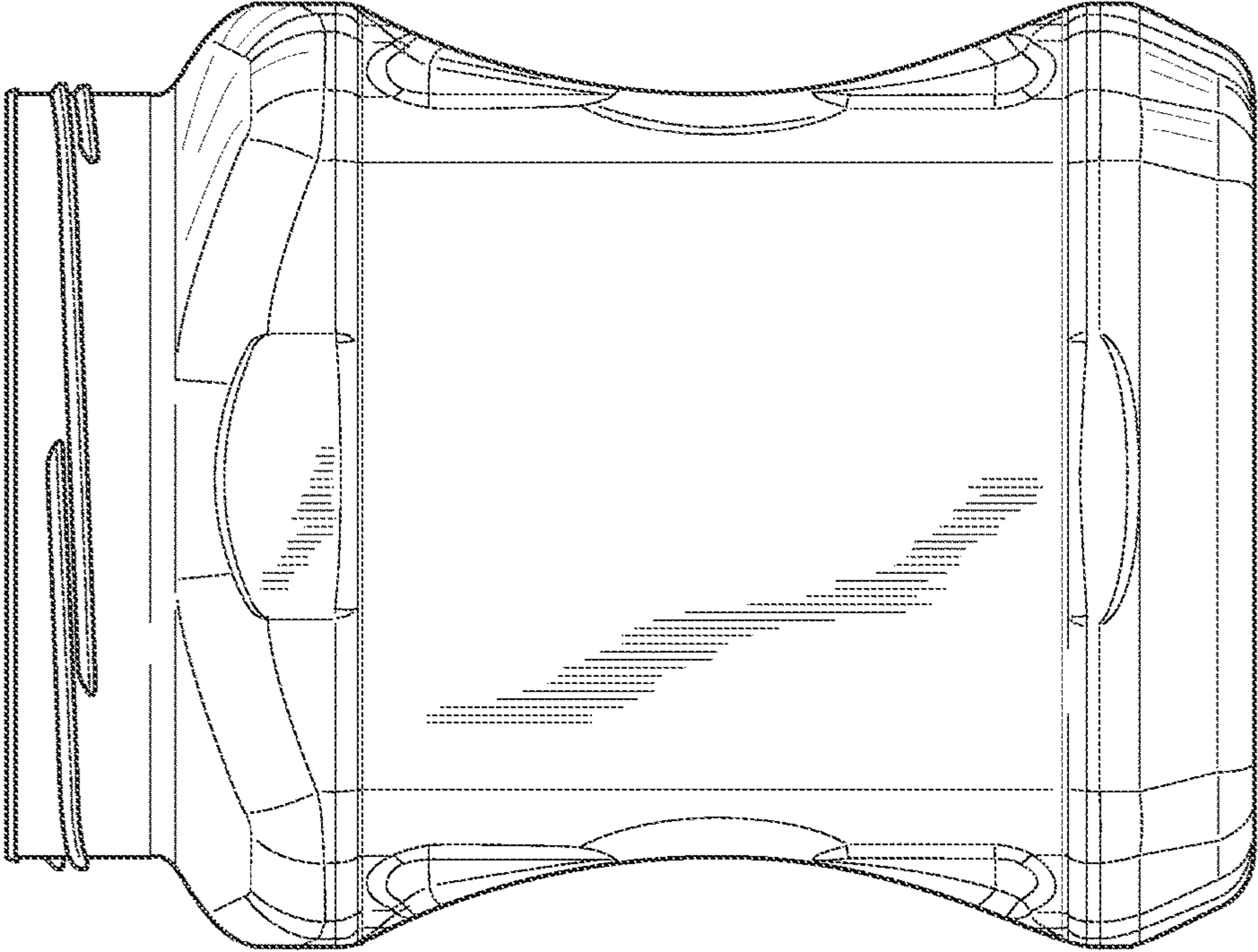


FIG. 1

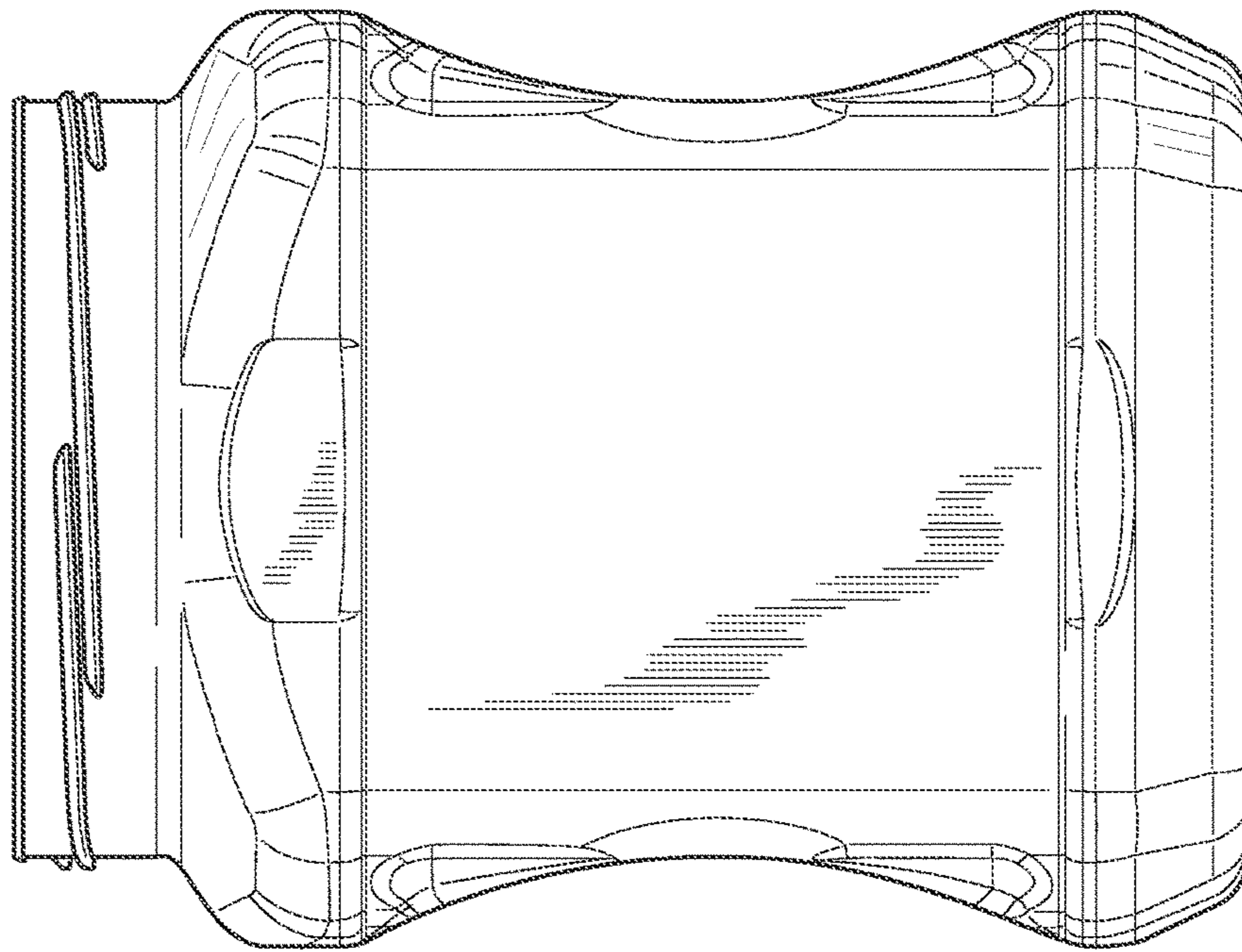


FIG. 2



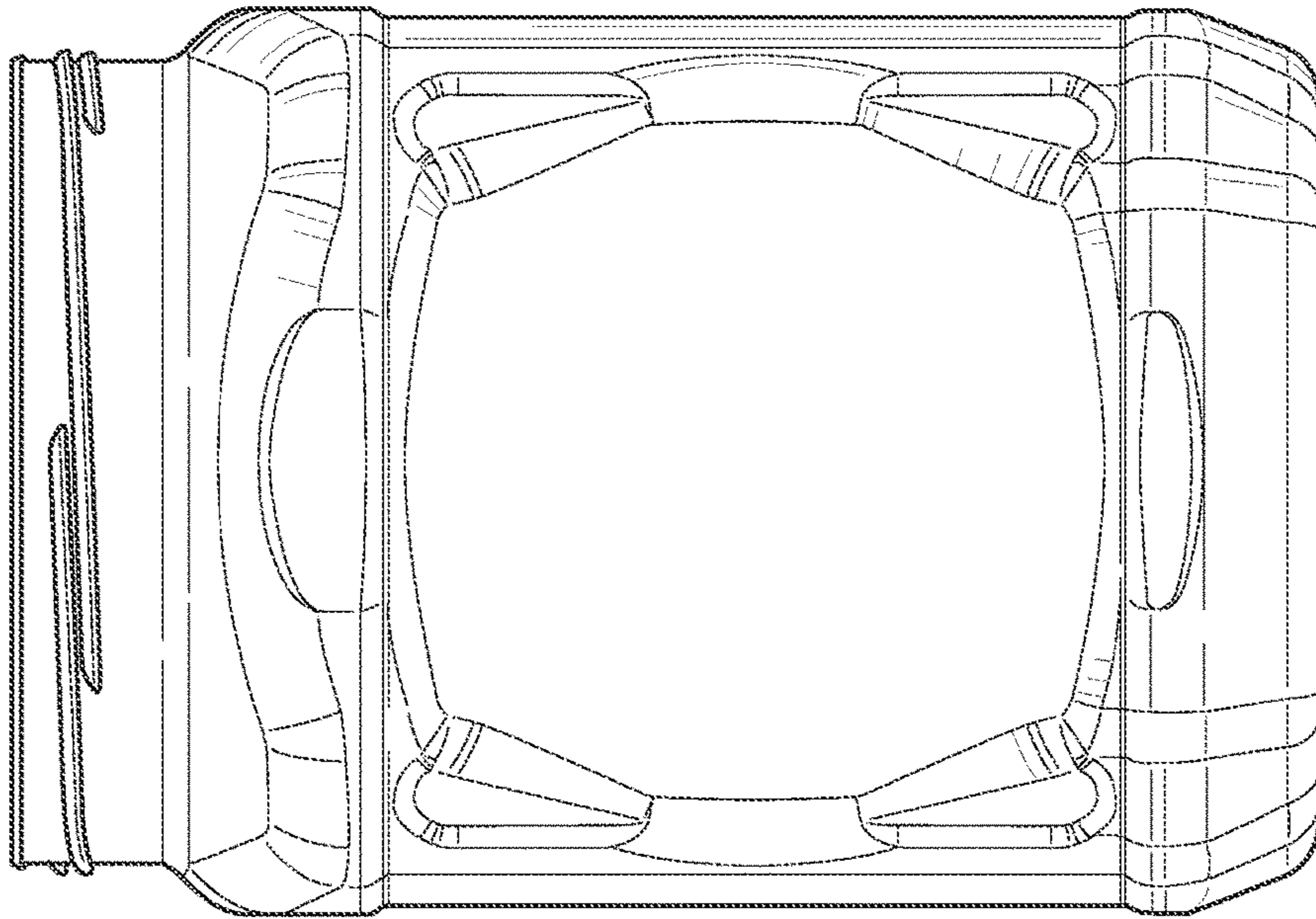


FIG. 3

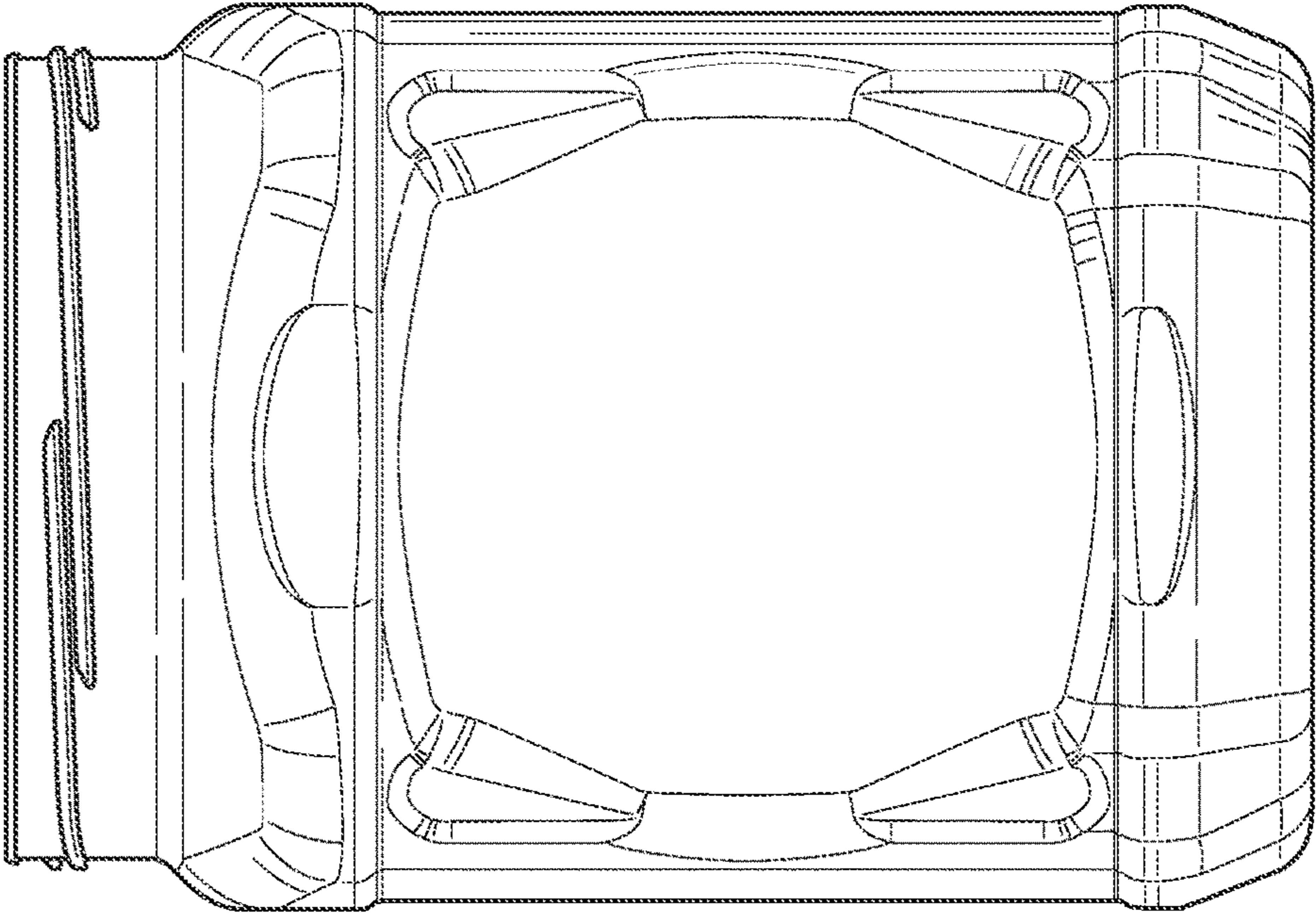


FIG. 4

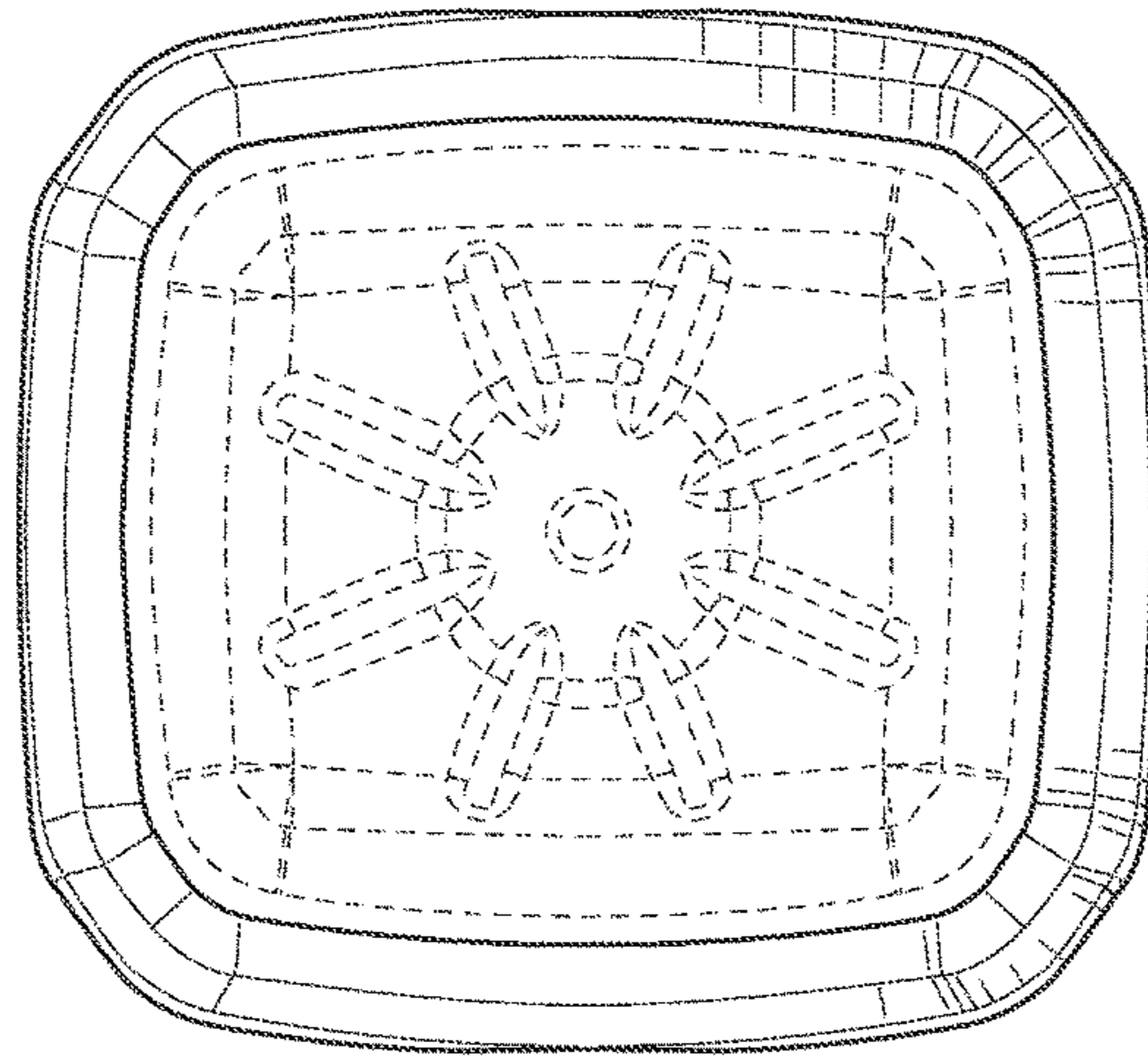


FIG. 6

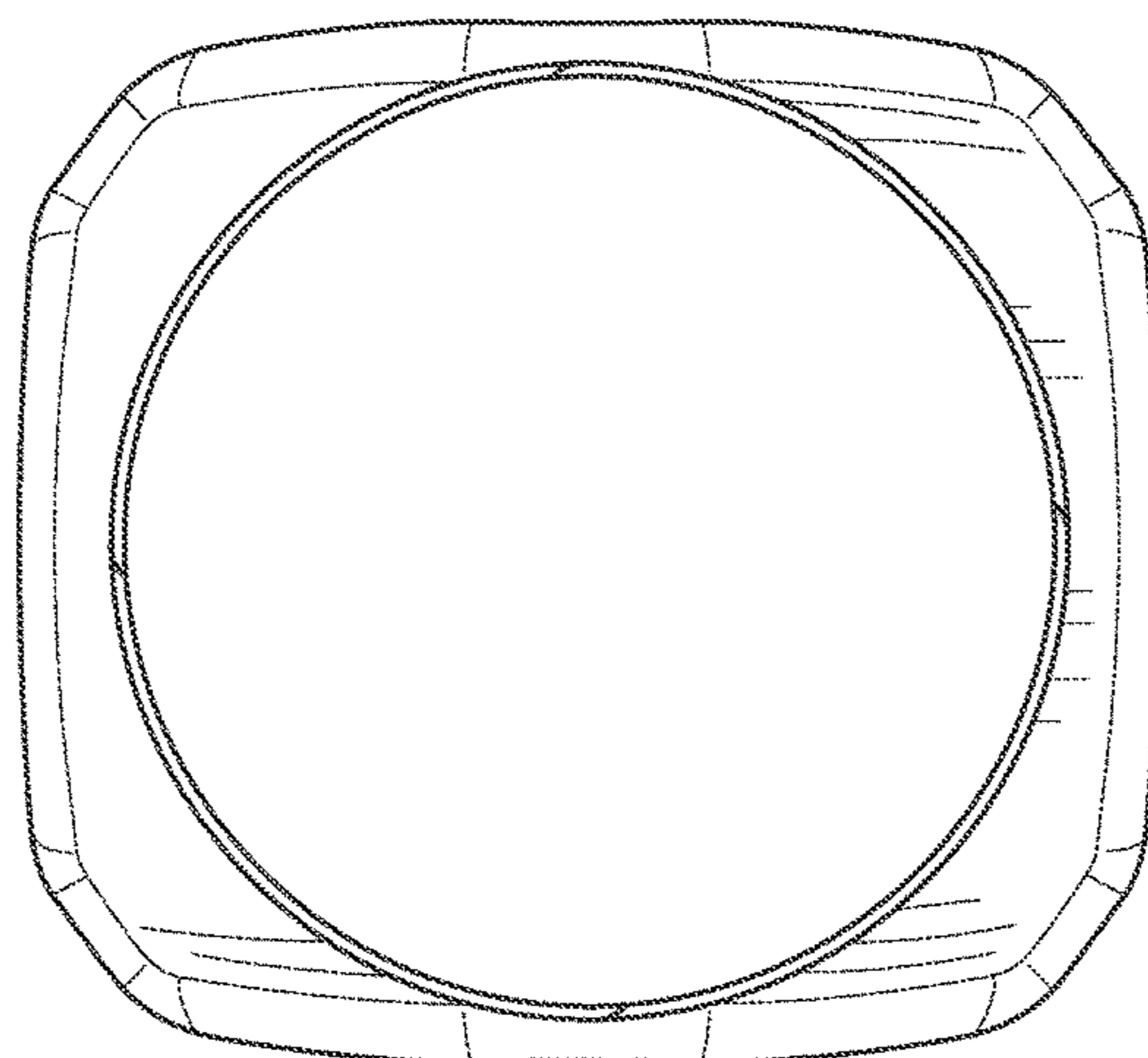


FIG. 5