



US00D788591S

(12) **United States Design Patent** (10) **Patent No.:** **US D788,591 S**
Westhofen et al. (45) **Date of Patent:** **** Jun. 6, 2017**

(54) **BOTTLE**

(71) Applicant: **Nutrichem Diät + Pharma GmbH,**
Roth (DE)

(72) Inventors: **Christa Westhofen,** Dornbirn (AT);
Oliver Unterlechner, Bregenz (AT)

(73) Assignee: **Nutrichem Diät + Pharma GmbH,**
Roth (DE)

(**) Term: **15 Years**

(21) Appl. No.: **29/533,209**

(22) Filed: **Jul. 15, 2015**

(30) **Foreign Application Priority Data**

Jan. 15, 2015 (EM) 002614214-0001

Jan. 15, 2015 (EM) 002614214-0002

Jan. 15, 2015 (EM) 002614214-0003

(51) **LOC (10) Cl.** **09-01**

(52) **U.S. Cl.**
USPC **D9/538**

(58) **Field of Classification Search**

USPC D9/435, 436, 440, 445, 447, 449, 450,
D9/453, 452, 442, 500-505, 520-522,
D9/529, 550, 556, 546, 512, 530,
D9/532-543, 548, 516, 574, 575, 526,
D9/558-572, 519, 726-729, 738, 740,
D9/746, 764, 752, 759, 767, 772-783,
D9/904; D3/202, 203.1-203.4, 203.7;
D28/82, 4-8; D19/66, 115-179;
D7/396.2, 509-511, 523, 590; D6/515,
D6/542; D14/114, 485; D24/119, 197;
D34/1, 2

CPC B65D 88/54; B65D 83/00; B65D 83/04;
B65D 11/04; B65D 11/00; B65D 90/02;
B65D 90/12; B65D 23/102; B65D
21/024;

(Continued)

(56) **References Cited**

U.S. PATENT DOCUMENTS

D196,990 S * 11/1963 Dubbs D9/538

D236,429 S * 8/1975 Strand D9/500

(Continued)

OTHER PUBLICATIONS

Special K Protein Shakes, Milk Chocolate, 4 Count (Pack of 3), Jul.
23, 2009, amazon.com, site visited Nov. 21, 2016 <https://www.amazon.com/Special-Protein-Shakes-Chocolate-Count/dp/B00W5A4RA2/ref=sr_1_1_a_it?ie=UTF8&qid=1479759517&sr=8-1&keywords=special%2Bk%2Bprotein%2Bshake&th=1>.*

(Continued)

Primary Examiner — Kevin Rudzinski

Assistant Examiner — Paul Bohannon

(74) *Attorney, Agent, or Firm* — Harris Beach PLLC

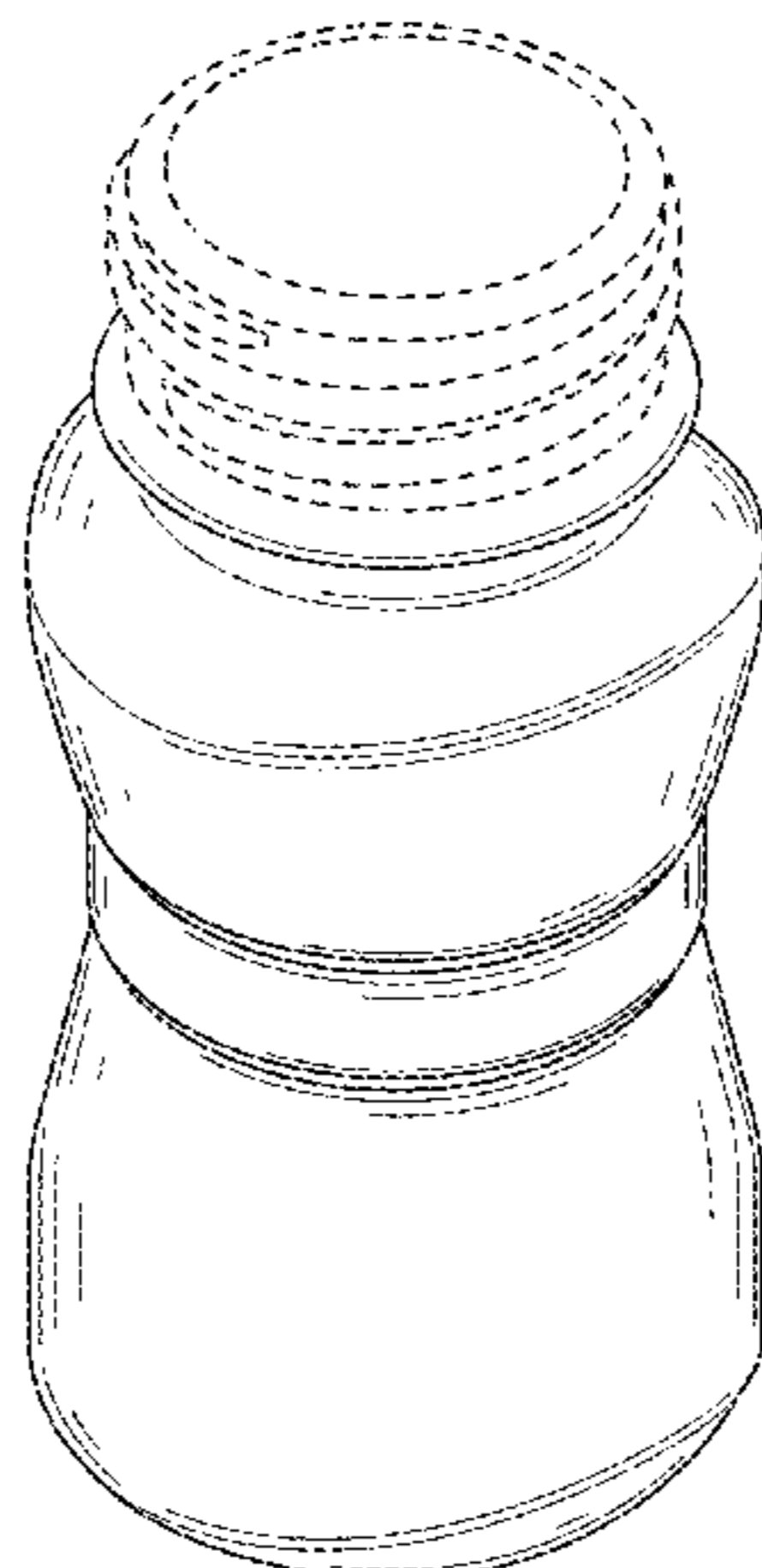
(57) **CLAIM**

The ornamental design for a bottle, as shown and described.

DESCRIPTION

FIG. 1 is a perspective view of the first embodiment of the bottle showing our new design;
FIG. 2 is a front elevational view of the bottle of FIG. 1, the back elevational view being identical thereto;
FIG. 3 is a left side elevational view of the bottle of FIG. 1, the right side elevational view being identical thereto;
FIG. 4 is a top plan view of the bottle of FIG. 1;
FIG. 5 is a perspective view of the second embodiment of the bottle showing our new design;
FIG. 6 is a front elevational view of the bottle of FIG. 5, the back elevational view being identical thereto;
FIG. 7 is a left side elevational view of the bottle of FIG. 5, the right side elevational view being identical thereto; and,
FIG. 8 is a top plan view of the bottle of FIG. 5.

(Continued)



The broken lines in FIGS. 1-8 showing portions of the bottle form no part of the claimed design.

1 Claim, 8 Drawing Sheets

(58) Field of Classification Search

CPC ... B65D 1/42; B65D 1/46; B65D 1/02; B65D 1/023; B65D 1/04; B65D 1/10; B65D 1/12; B65D 1/14; B65D 1/16; B65D 1/165; B65D 1/18; B65D 1/0246; B65D 1/0238; B65D 1/0223; B65D 1/0215; B65D 1/0207; B65D 13/02; B65D 23/00; B65D 35/00; B65D 35/02; B65D 35/04; B65D 35/56; B65D 35/08; B65D 39/00; B65D 39/0005; B65D 39/0029; B65D 41/0428; B65D 41/0435; B65D 41/0442; B65D 41/04; B65B 7/28; A61J 9/00; A45F 5/00; B29C 33/005

See application file for complete search history.

(56) References Cited

U.S. PATENT DOCUMENTS

D333,268 S * 2/1993 Arlinghaus D9/538
D445,337 S * 7/2001 Croft D9/450

D496,277 S * 9/2004 Bonnet D9/502
D572,135 S * 7/2008 Lepoitevin D9/502
D584,624 S * 1/2009 Bourne D9/502
D592,518 S * 5/2009 Faulon D9/500
D676,751 S * 2/2013 Coyne D9/500
D703,048 S * 4/2014 Lopez D9/500
D703,049 S * 4/2014 Riley D9/500
D733,569 S * 7/2015 Martinon D9/575
D762,480 S * 8/2016 Yourist D9/542

OTHER PUBLICATIONS

“Core Power High Protein Milk Shake, Chocolate, 26g of protein, 11.5-ounce bottles, 12 Count” May 21, 2012, amazon.com, site visited Nov. 21, 2016 <https://www.amazon.com/Core-Power-Protein-Chocolate-11-5-ounce/dp/B007MI2RI6/ref=sr_1_1_a_it?ie=UTF8&qid=1479760384&sr=8-1&keywords=core%2Bpower%2Bprotein%2Bdrink&th=1>.*

* cited by examiner

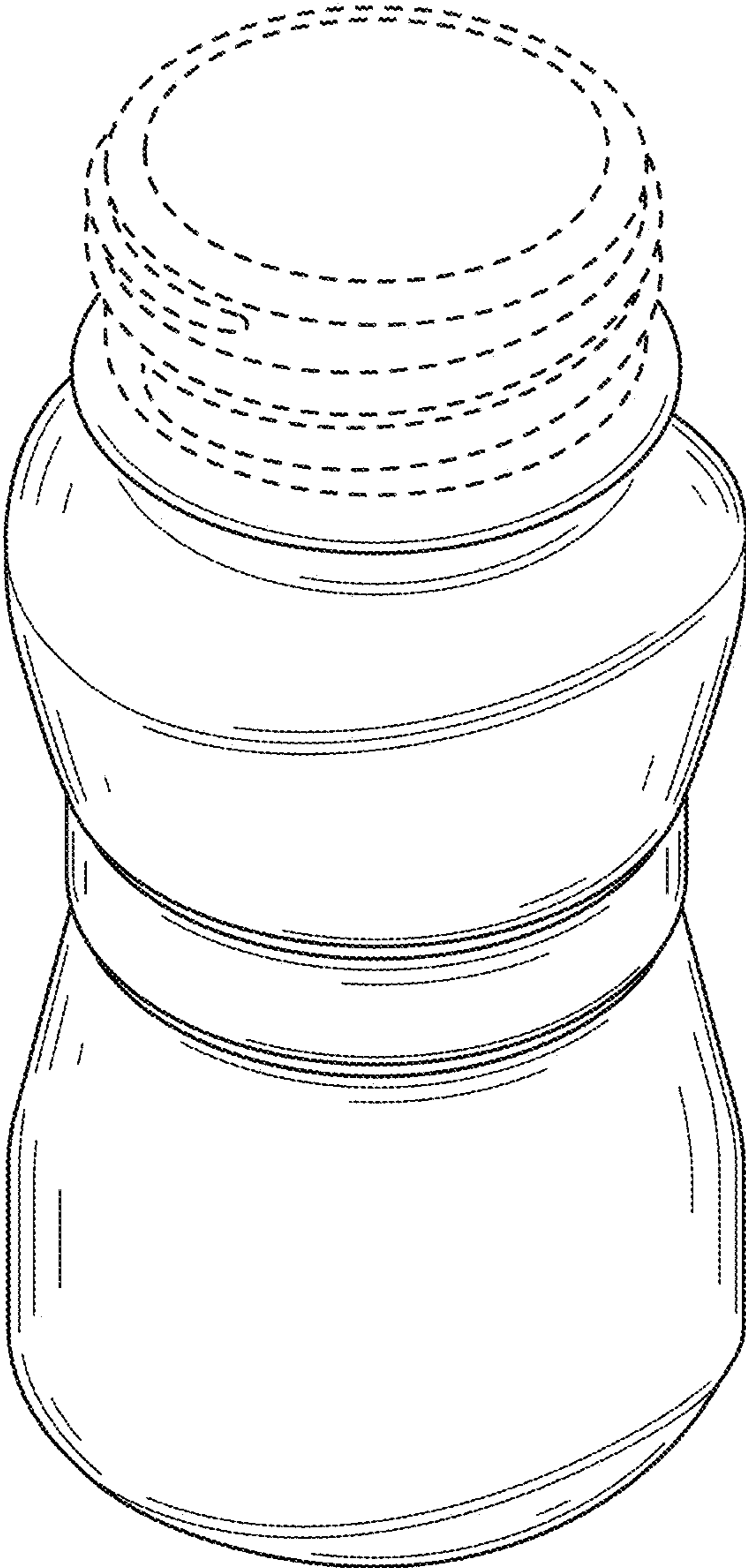


FIG. 1

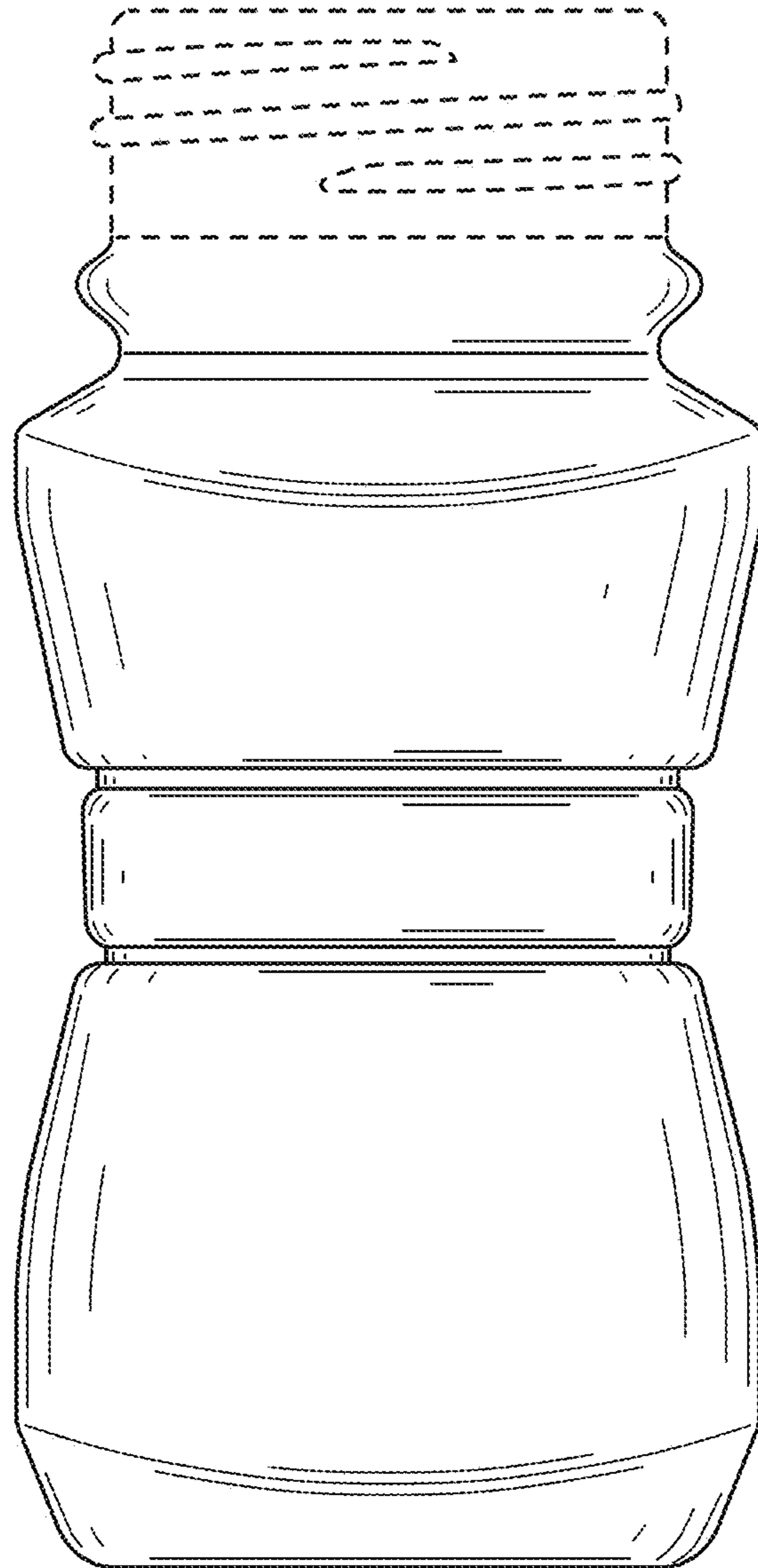


FIG. 2

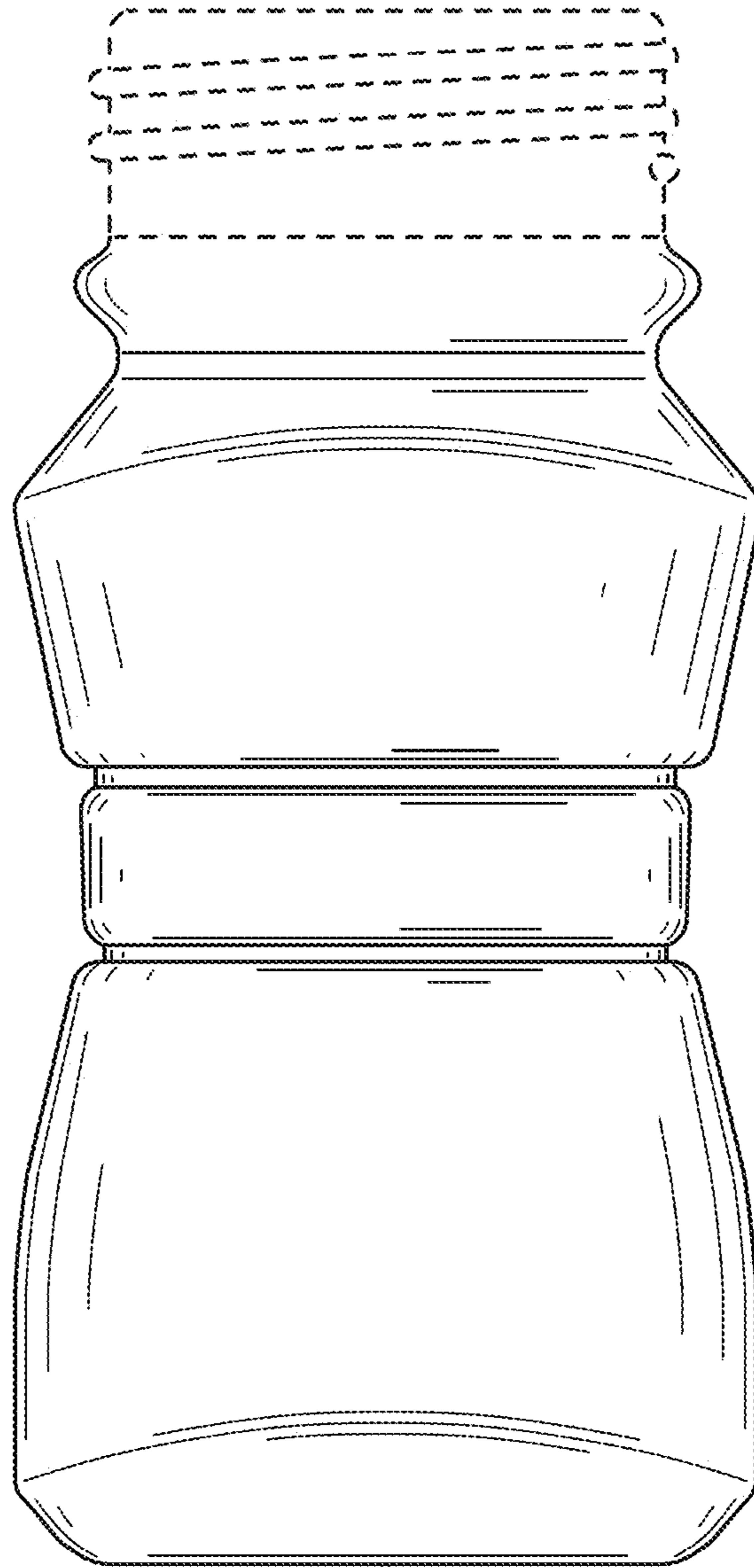


FIG. 3

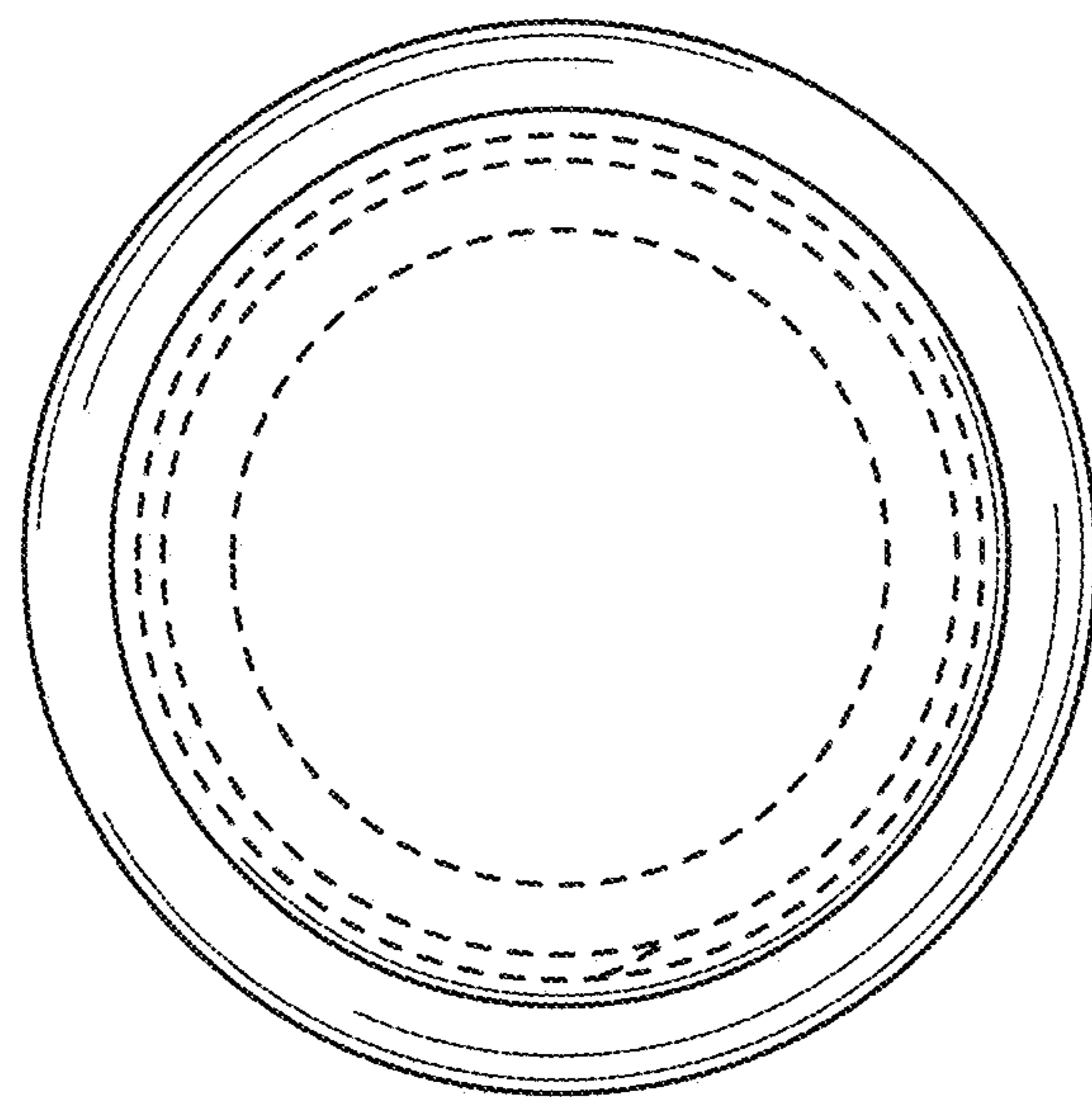


FIG. 4

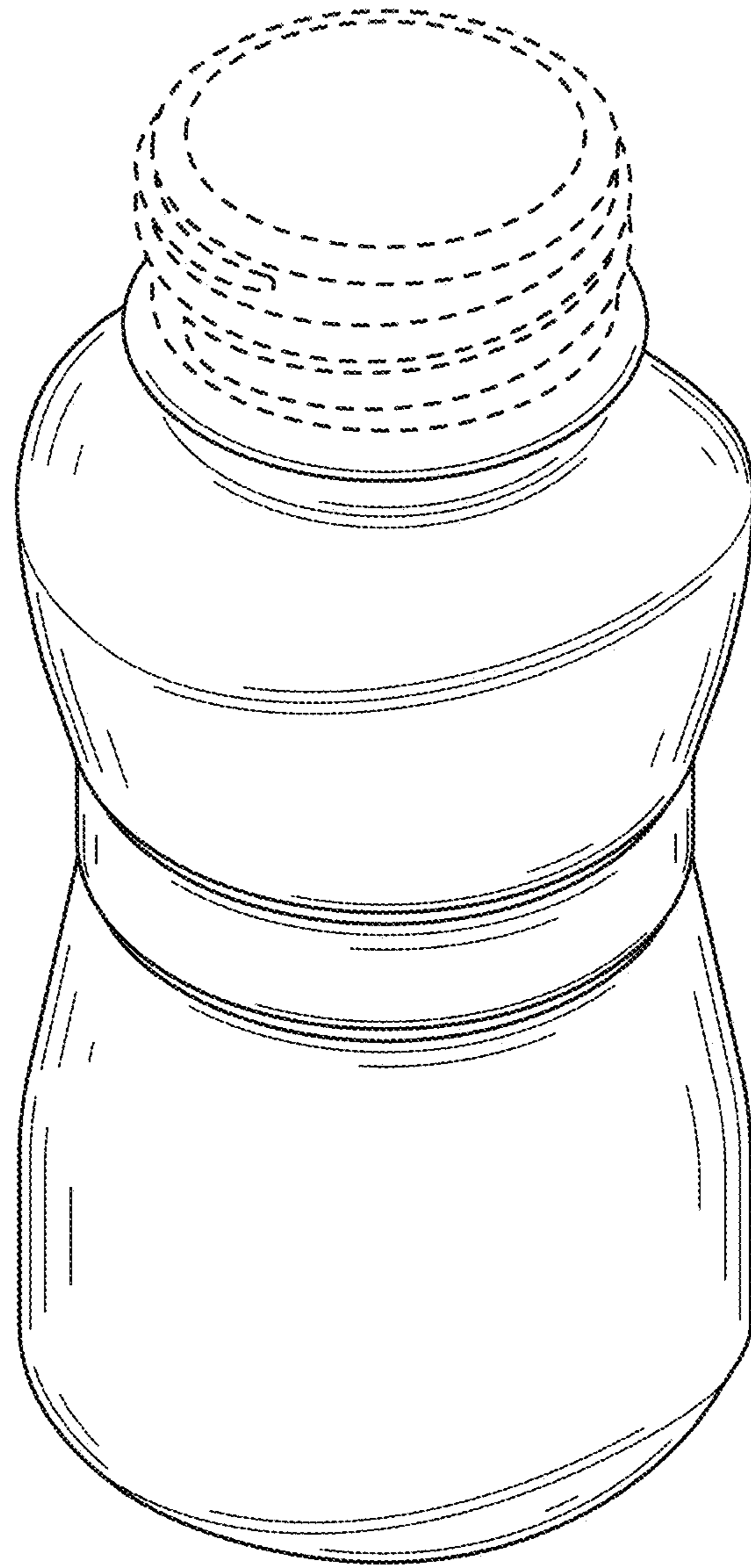


FIG. 5

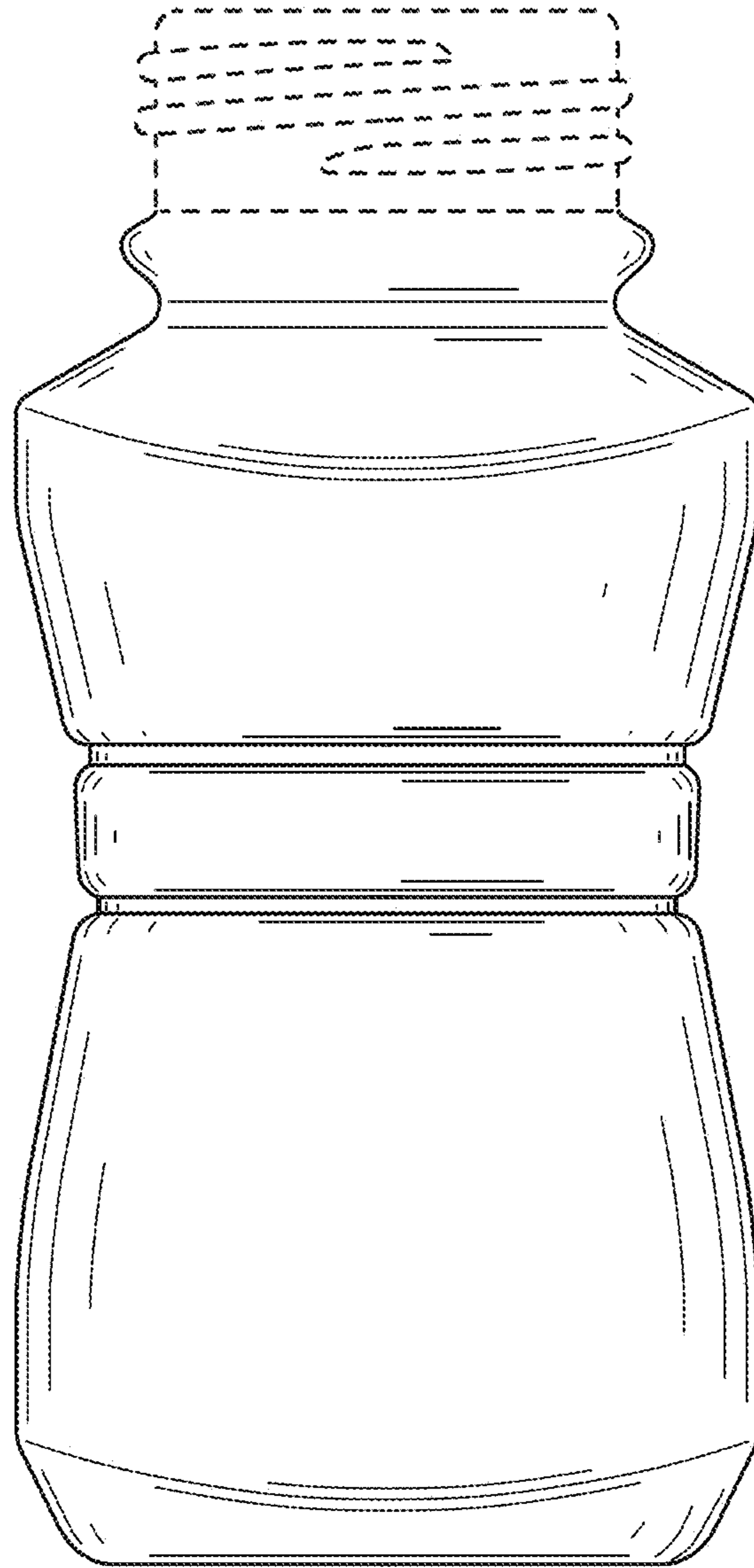


FIG. 6

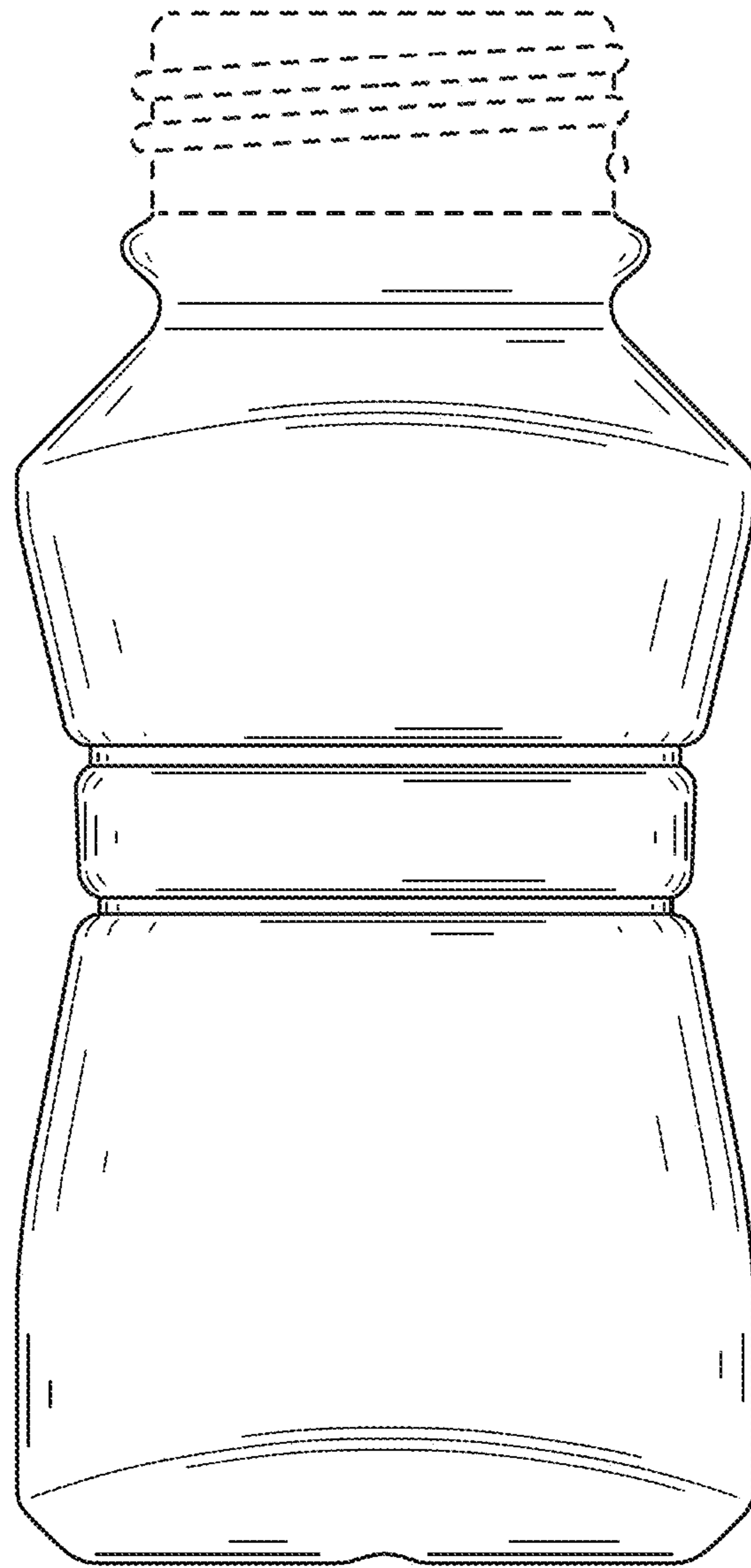


FIG. 7

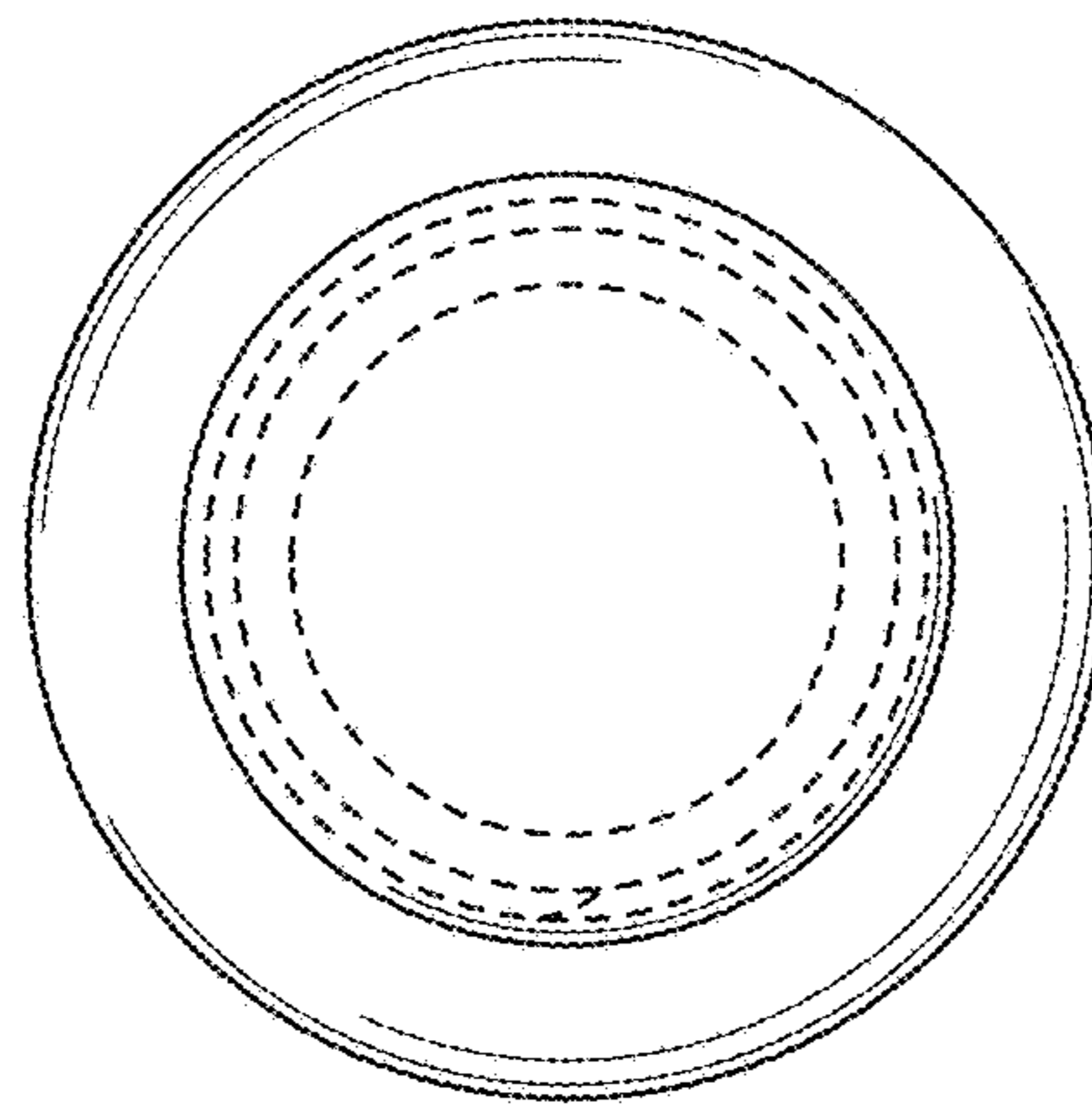


FIG. 8