



US00D788584S

(12) **United States Design Patent** (10) **Patent No.:** **US D788,584 S**
Chen et al. (45) **Date of Patent:** **** Jun. 6, 2017**

(54) **STAND**
(71) Applicant: **Tiff's Treats Holdings, Inc.**, Austin, TX (US)
(72) Inventors: **Leon Chen**, Austin, TX (US); **Paul Metaxatos**, Swampscott, MA (US); **Joel Nevin**, Portsmouth, NH (US)
(73) Assignee: **Tiff's Treats Holdings, Inc.**, Austin, TX (US)

938,242 A 10/1909 Johnston
1,047,882 A 12/1912 Beach
D47,966 S * 10/1915 Reischmann D6/349
1,235,689 A 8/1917 Hoag
1,401,057 A 12/1921 Elliott
1,570,651 A 1/1926 Topping et al.
1,955,919 A 4/1934 Kress
2,689,050 A 9/1954 Albin
2,902,174 A 9/1959 Audsley
D194,325 S 1/1963 Swett
D197,981 S * 4/1964 Miller D7/505
(Continued)

(**) Term: **14 Years**

OTHER PUBLICATIONS

(21) Appl. No.: **29/520,444**
(22) Filed: **Mar. 13, 2015**
(51) **LOC (10) Cl.** **09-07**
(52) **U.S. Cl.**
USPC **D9/456**
(58) **Field of Classification Search**
USPC D9/415, 434, 435, 440, 446-450, 452, D9/453, 454, 455-457, 499; D7/387, D7/388, 396.2, 396.4, 396.6, 398, 403, D7/501, 509, 510, 511, 554.2, 555; D3/202, 203.2, 247, 294, 304, 318; D28/91.1; D8/343, 346, 352, 382, 397, D8/399
CPC .. A61J 1/00; A61J 1/1412; B65D 1/00; B65D 1/02; B65D 1/10; B65D 1/46; B65D 2585/56; B65D 41/00; B65D 41/56; B65D 41/62; B65D 47/06; B65D 47/08; B65D 2543/00046; B65D 2543/00092; B65D 2543/00296
See application file for complete search history.

Printout showing pedestal tables, retrieved from archive.org with an apparent capture date of Feb. 17, 2014—<https://web.archive.org/web/20140217160941/http://www.knoll.com/designer/Eero-Saarinen>.

Primary Examiner — Karen S. Acker
Assistant Examiner — Wendy Arminio
(74) *Attorney, Agent, or Firm* — Norton Rose Fulbright US LLP

(57) **CLAIM**

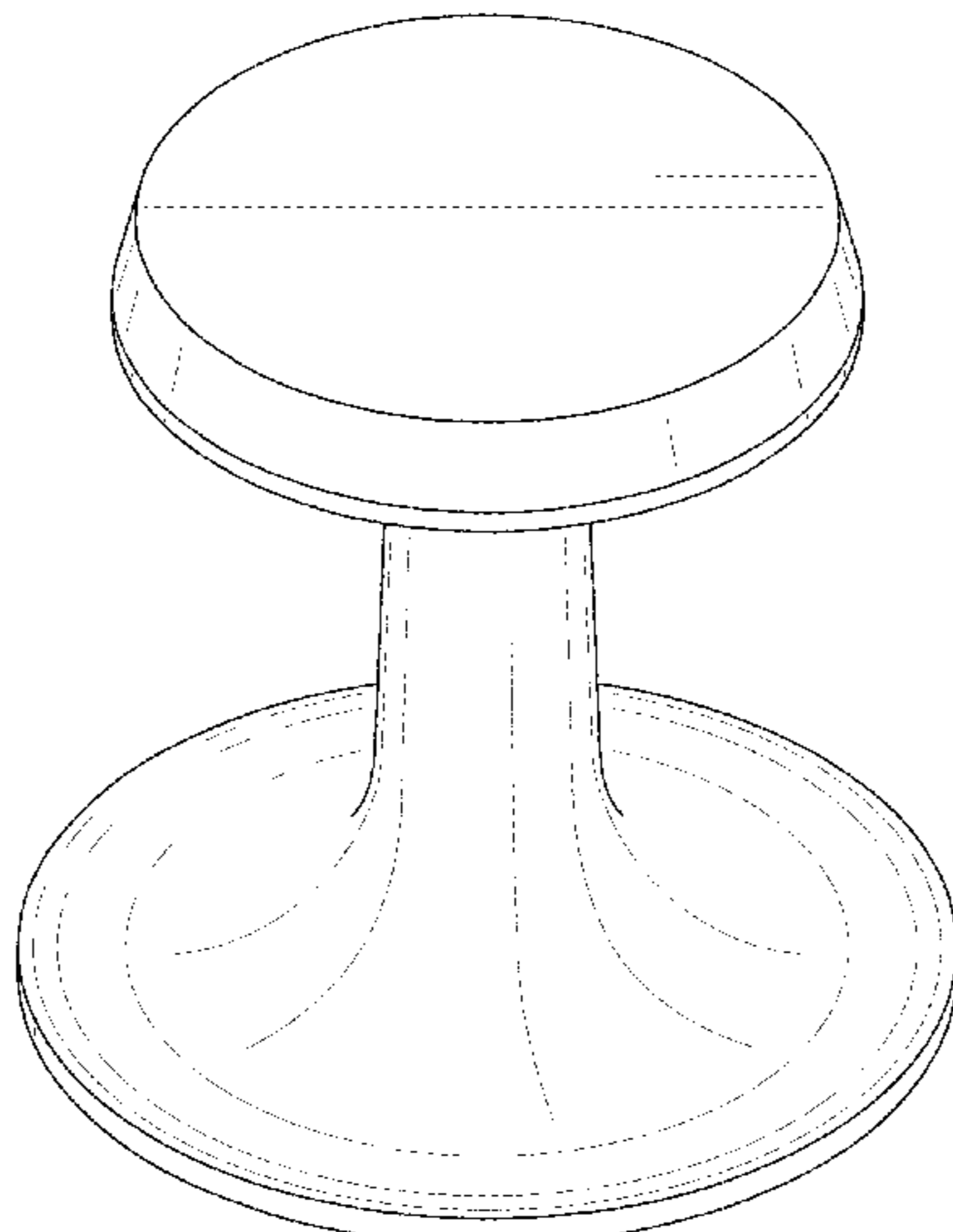
The ornamental design for a stand, as shown and described.

DESCRIPTION

FIG. 1 is a top perspective view of a stand showing our new design;
FIG. 2 is a bottom perspective view thereof;
FIG. 3 is a front view thereof, the right and left sides thereof being identical due to the symmetry of the design about its vertical axis; and,
FIG. 4 is a top view thereof.
The stand is intended to be placed on a tray and used as a support for the tray cover and possibly one or more stacked trays, for items such as edible items.
The dashed lines in the figures form no part of the claimed design.

(56) **References Cited**
U.S. PATENT DOCUMENTS
115,456 A 5/1871 Fisher
135,696 A 2/1873 Dakin
197,931 A 12/1877 Haight
500,839 A 7/1893 Anthony

1 Claim, 4 Drawing Sheets



(56)

References Cited

U.S. PATENT DOCUMENTS

3,146,906	A	9/1964	Swett	
D200,117	S	1/1965	Kolarik	
3,169,496	A	2/1965	Muggli et al.	
D240,343	S *	6/1976	Moore, Jr.	D6/692.3
D246,022	S *	10/1977	Mathur	D6/692.3
D272,212	S *	1/1984	Daenen	D7/505
D272,215	S *	1/1984	Daenen	D7/558
D283,856	S *	5/1986	Elmaleh	D6/349
D354,862	S	1/1995	Goldberg	
D436,270	S *	1/2001	Kane	D6/692.3
D441,258	S *	5/2001	Spiegelman	D7/501
D560,974	S	2/2008	Goode et al.	
D577,962	S	10/2008	Bauer et al.	
D647,713	S *	11/2011	Unterrainer	D6/349
D664,010	S	7/2012	Goode et al.	
D668,464	S *	10/2012	Du	D6/353
8,276,524	B2	10/2012	Goode et al.	
D671,368	S *	11/2012	Stewart	D7/558
D683,975	S *	6/2013	Starck	D6/349
D707,493	S	6/2014	Frei	

* cited by examiner

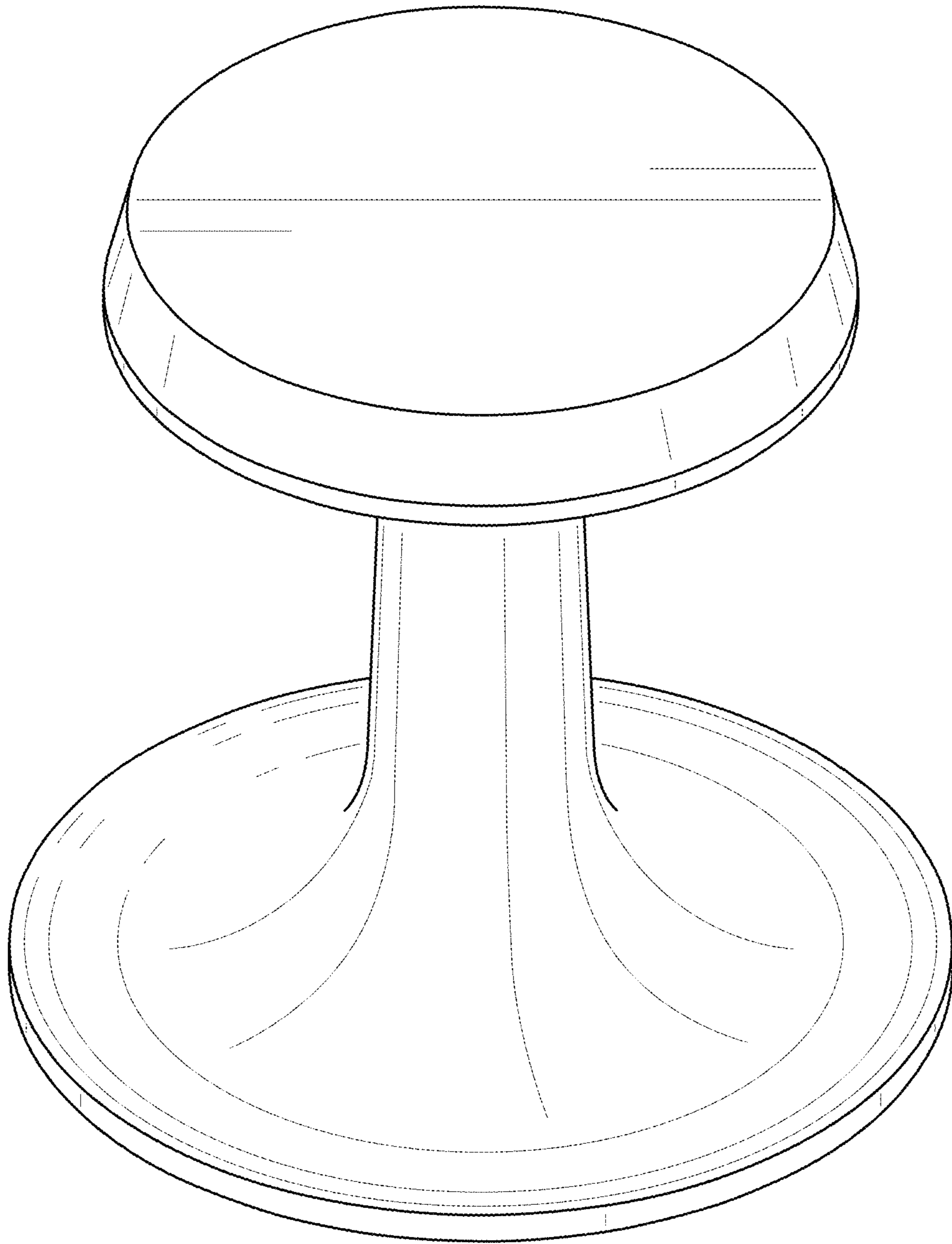


FIG. 1

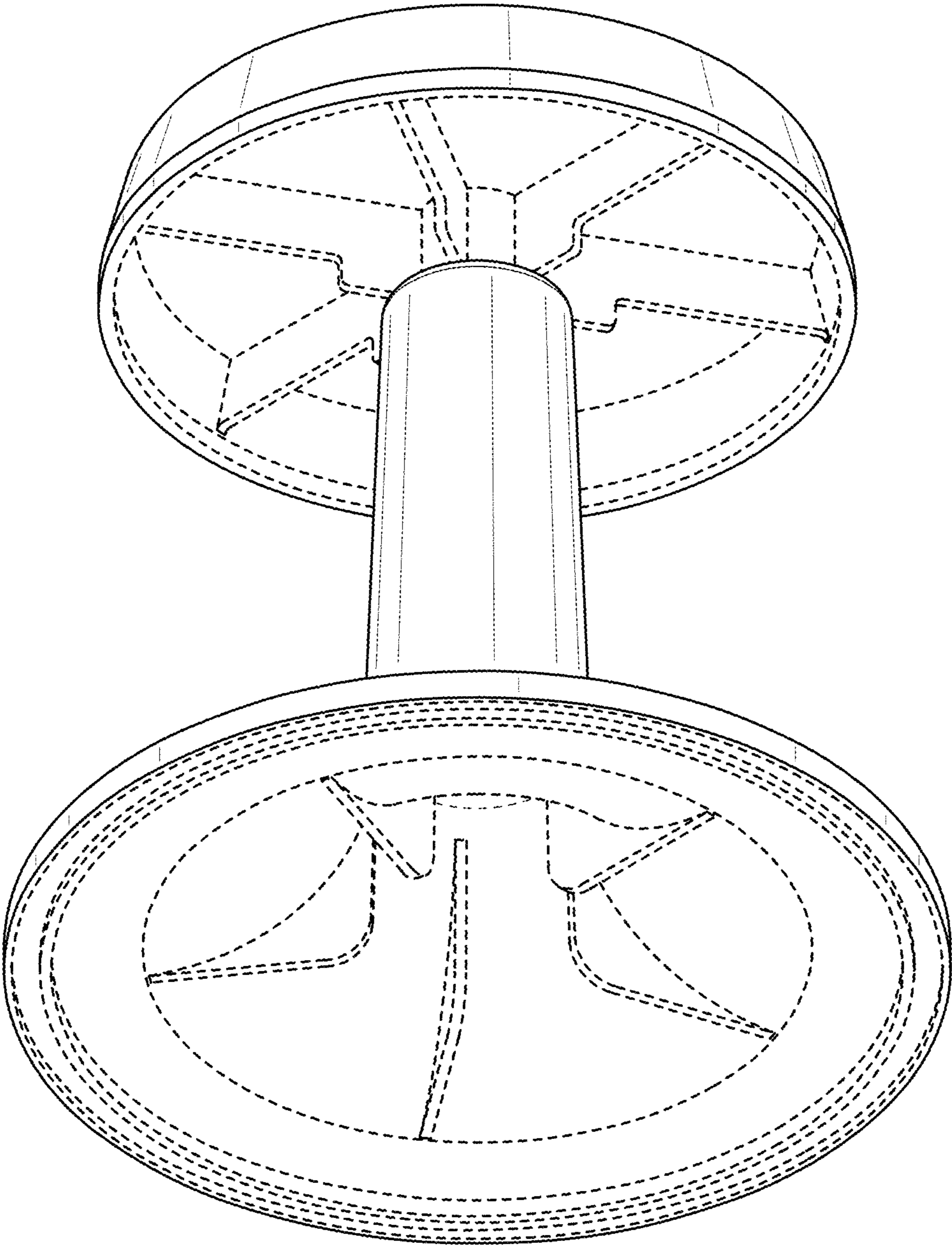


FIG. 2

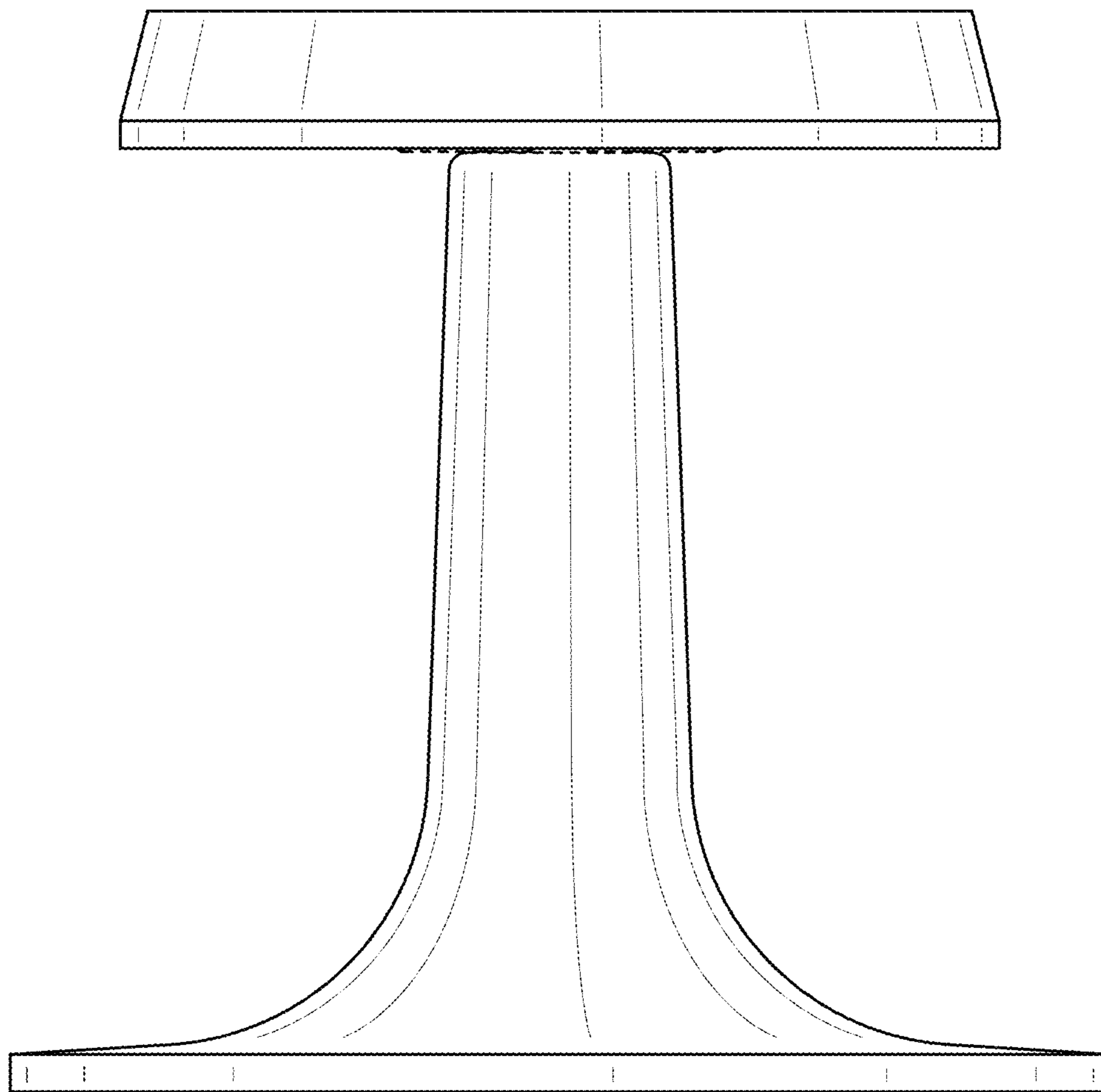


FIG. 3

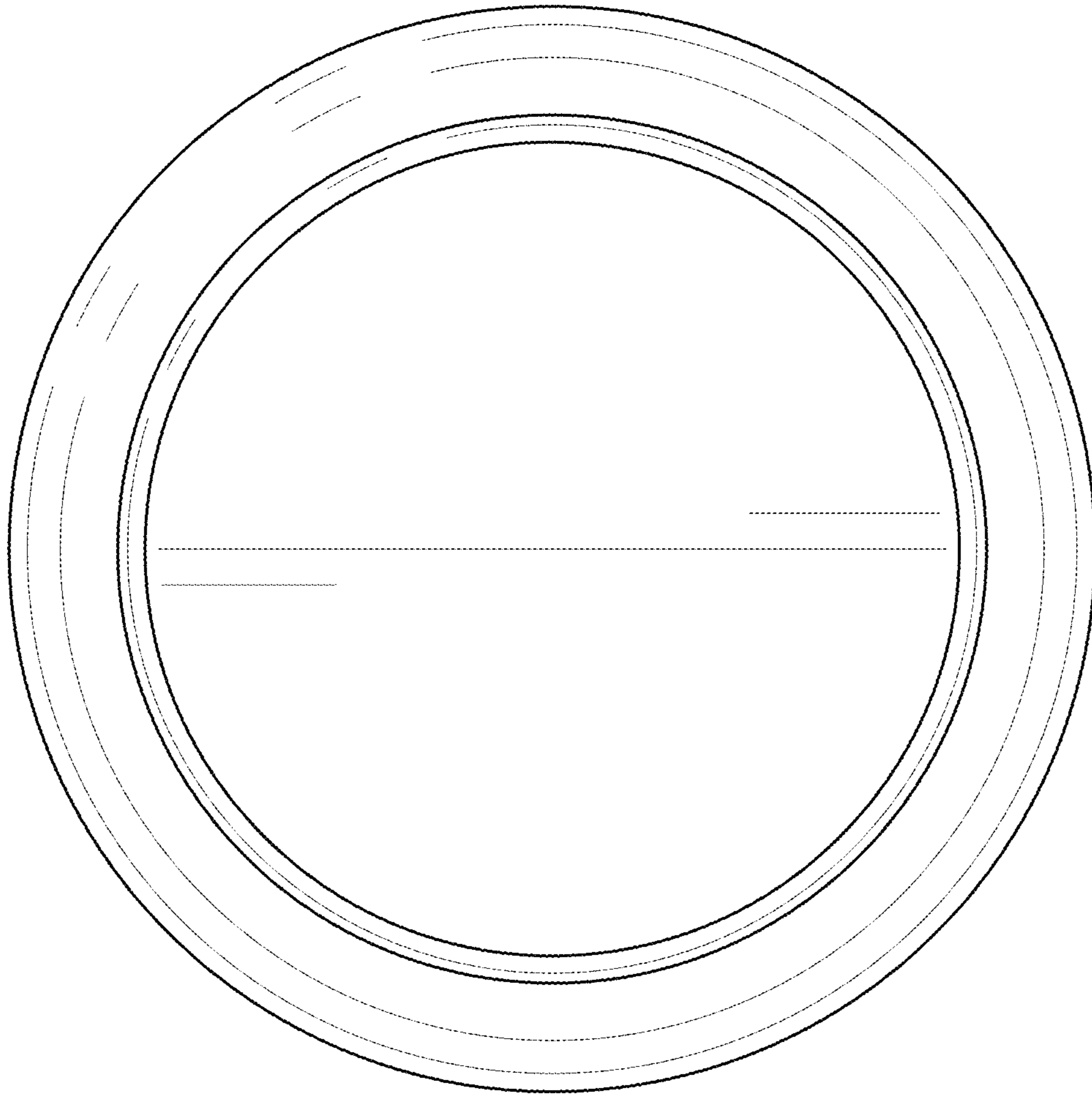


FIG. 4