

US00D788583S

(12) **United States Design Patent** (10) **Patent No.:** **US D788,583 S**
Tu (45) **Date of Patent:** **** Jun. 6, 2017**

(54) **LID**
(71) Applicant: **SharkNinja Operating LLC**, Newton, MA (US)
(72) Inventor: **Joyce Tu**, Arlington, MA (US)
(73) Assignee: **SHARKNINJA OPERATING LLC**, Newton, MA (US)
(**) Term: **15 Years**

D468,639 S * 1/2003 Wennerstrom D9/447
D485,759 S * 1/2004 Janky D7/392.1
D504,796 S * 5/2005 Schuler D7/392.1
D626,837 S * 11/2010 Meyers D9/443
D628,483 S * 12/2010 McKinney D9/449
D643,245 S * 8/2011 Minarsch D7/392.1
D644,060 S * 8/2011 Komeiji D7/392.1
D682,612 S * 5/2013 Rzepecki D7/392.1
D690,989 S * 10/2013 Cetera D7/392.1
D691,416 S * 10/2013 Eyal D7/396.2
D699,996 S * 2/2014 De Leo D7/300.1

(Continued)

(21) Appl. No.: **29/532,037**
(22) Filed: **Jul. 1, 2015**
(51) **LOC (10) Cl.** **09-07**
(52) **U.S. Cl.**
USPC **D9/449**; D9/434; D9/436; D7/392.1; D7/396.2
(58) **Field of Classification Search**
USPC D3/201, 202, 203.1, 318, 273, 294; D7/300, 300.1, 316, 317, 387, 391, 392.1, D7/392, 393, 396.2, 397, 398, 509-511, D7/525-531, 538, 541, 549, 629, 703, D7/900; D9/416, 417, 420, 434, 435, D9/436, 438, 440, 443, 447, 454; D24/121, 182, 194, 197, 199, 224; D28/7, 76, 78, 82, 85, 91; D34/1, 7, 10, D34/11, 39; 215/316, 235, 200; 200/200, 235, 281, 288, 316, 402.13, 377, 200/544, 556, 557, 562, 752, 744, 759
CPC A45D 33/26; A45D 33/28; A45D 33/18; B65D 47/0804; B65D 47/40; B65D 2543/00269; B65D 2543/00138; B65D 2543/00074
See application file for complete search history.

(56) **References Cited**

U.S. PATENT DOCUMENTS

D288,667 S * 3/1987 Miner D9/440
D417,583 S * 12/1999 Demore D7/392

OTHER PUBLICATIONS

Nutri Ninja Cup and Lid Detail Image https://www.amazon.com/Stainless-Steel-Nutri-Ninja-XSKDWSS24/dp/B016A7RNW4/re.*

(Continued)

Primary Examiner — Thomas Johannes
Assistant Examiner — Catherine Posthauer
(74) *Attorney, Agent, or Firm* — Cantor Colburn LLP

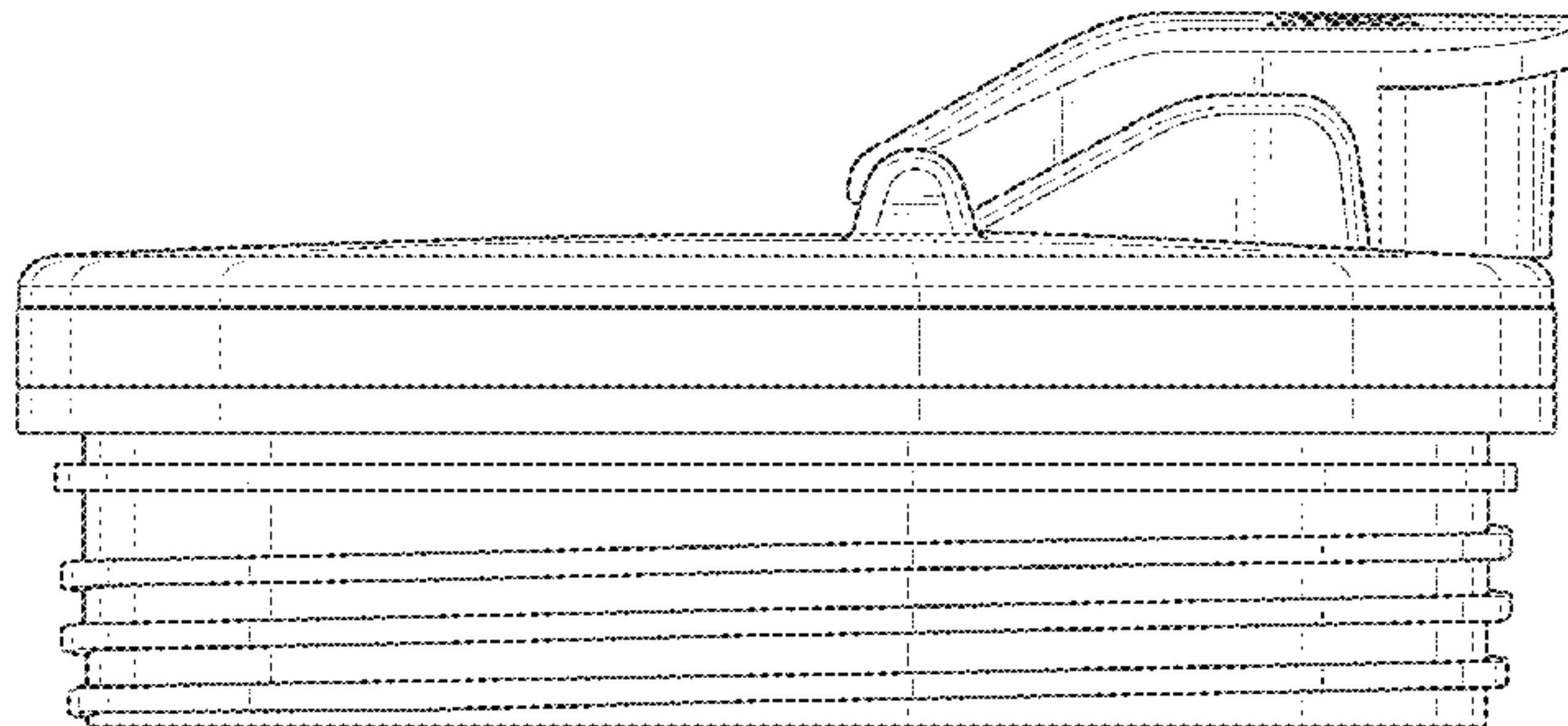
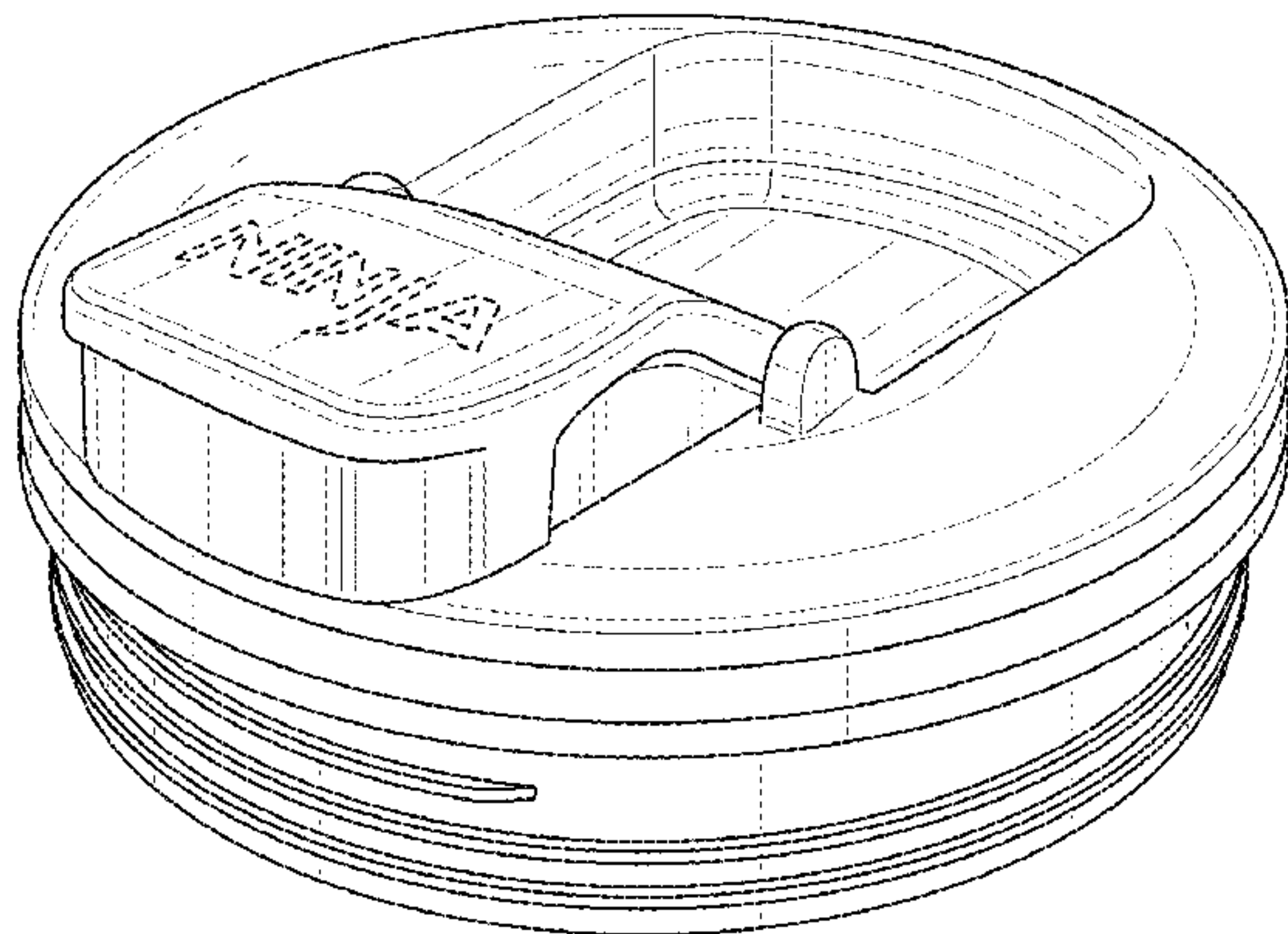
(57) **CLAIM**

The ornamental design for a lid, as shown and described.

DESCRIPTION

FIG. 1 is a perspective view of an embodiment of a lid showing our new design;
FIG. 2 is a front elevational view thereof;
FIG. 3 is a rear elevational view thereof;
FIG. 4 is a left side elevational view thereof;
FIG. 5 is a right side elevational view thereof;
FIG. 6 is a top plan view thereof;
FIG. 7 is a bottom plan view thereof; and,
FIG. 8 is a perspective view thereof, in a condition of use forming no part of the claim.
The broken lines are shown for the purpose of illustrating subject matter and parts of the lid that form no part of the claimed design.

1 Claim, 8 Drawing Sheets



(56)

References Cited

U.S. PATENT DOCUMENTS

D710,698 S * 8/2014 Giraud D7/396.2
 D721,535 S * 1/2015 Chapman D7/396.2
 D730,694 S * 6/2015 Elsaden D7/511
 D732,337 S * 6/2015 Coon D7/392.1
 D742,230 S * 11/2015 Charles D7/396.2
 D745,827 S * 12/2015 Sorensen D7/392.1
 D747,136 S * 1/2016 Lane D7/396.2
 D748,430 S * 2/2016 Sorensen D7/392.1
 D748,478 S * 2/2016 Sorensen D9/443
 D752,381 S * 3/2016 Wahl D7/392.1
 D752,382 S * 3/2016 Ksiazek D7/392.1
 2014/0048549 A1 * 2/2014 Wille B65D 43/0222
 220/713
 2014/0091086 A1 * 4/2014 Sorensen A47G 19/2205
 220/4.27

OTHER PUBLICATIONS

Nutri Ninja Cup and Lid_Announced Nov. 12, 2015 [online], site visited Jun. 23, 2016. Available from Internet URL: [https://www.amazon.com/Stainless-Steel-Nutri-Ninja-XSKDWSS24/product-](https://www.amazon.com/Stainless-Steel-Nutri-Ninja-XSKDWSS24/product-reviews/B016A7RNW4/ref=cm_cr_othr_d_paging_btm_7?ie=UTF8&showViewpoints=1&sortBy=recent&pageNumber=7)

[reviews/B016A7RNW4/ref=cm_cr_othr_d_paging_btm_7?ie=UTF8&showViewpoints=1&sortBy=recent&pageNumber=7](https://www.amazon.com/Stainless-Steel-Nutri-Ninja-XSKDWSS24/product-reviews/B016A7RNW4/ref=cm_cr_othr_d_paging_btm_7?ie=UTF8&showViewpoints=1&sortBy=recent&pageNumber=7).
 Contigo Cold Snap Seal Travel Mug: Announced Jun. 23, 2014 [online], site visited [Jun. 23, 2016]. Available from Internet URL: <http://www.target.com/MCustomReview?partNum=15287007>.
 Contigo Knox Mug: Announced Mar. 21, 2016 [online], site visited Jun. 23, 2016. Available from Internet URL: <https://www.amazon.com/Contigo-Insulated-Ceramic-Travel-Copper/dp/B0160988VM>.
 Canadian Office Action; Design Application No. 165855; dated Feb. 17, 2016; 2 pages.
 Japanese Notice of Allowance for Design Appln No. 2015-028840; Mailing Date: Aug. 5, 2016; 2 pages.
 Japanese Notice of Allowance for Design Appln No. 2015-028841; Mailing Date: Aug. 5, 2016; 2 pages.
 Notice of Completion of Formalities for Patent Register and Notice of Grant of Design Patent Right; Chinese Design Application No. 2015305620203; Mailing Date: May 3, 2016; 4 Pages.
 Office Action; Korean Application No. 30-2015-0066736; Date of Issuance: Apr. 21, 2016; 4 Pages.
 Office Action; Korean Application No. 30-2015-0066737; Date of Issuance: Apr. 15, 2016; 4 Pages.

* cited by examiner

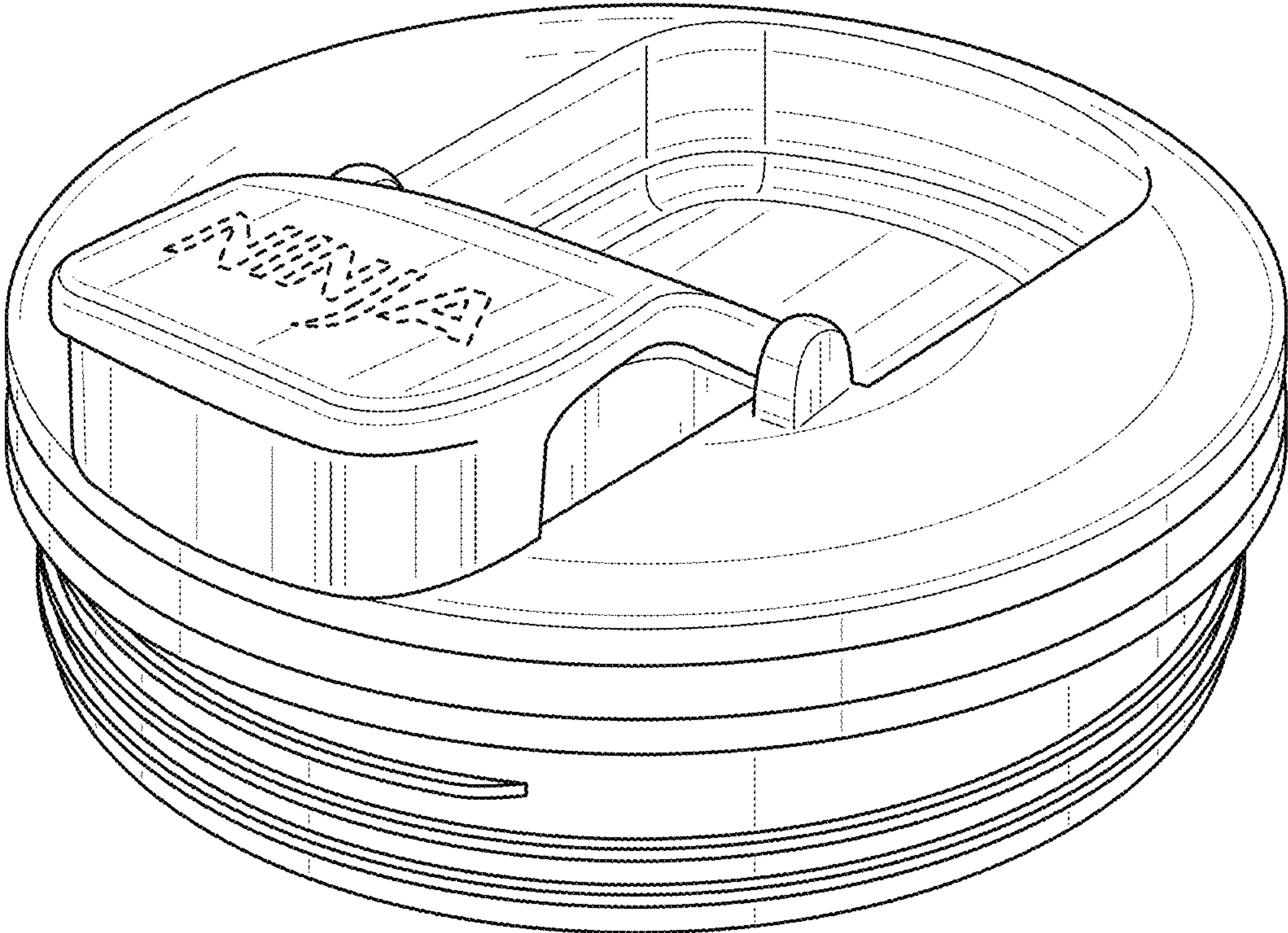


FIG. 1

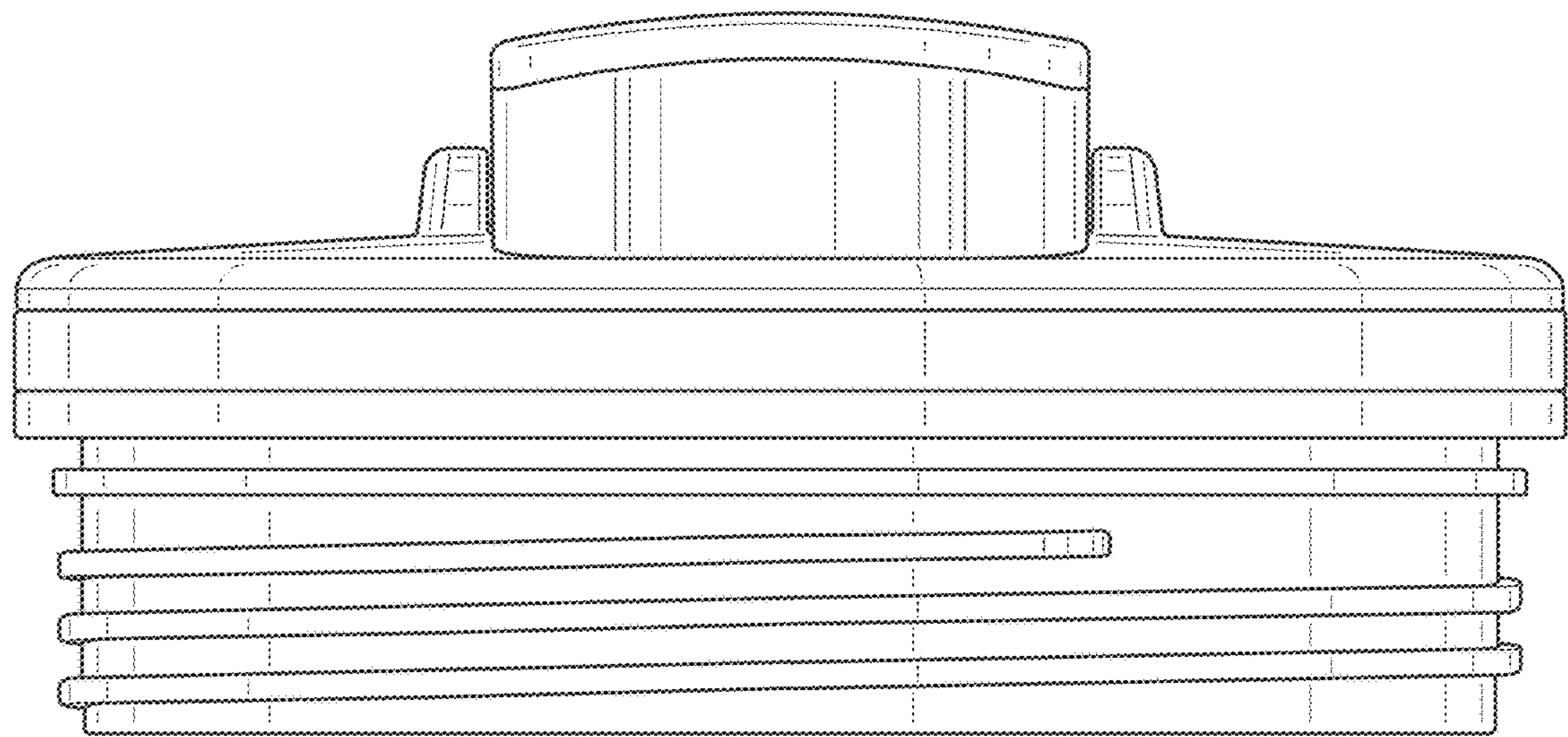


FIG. 2

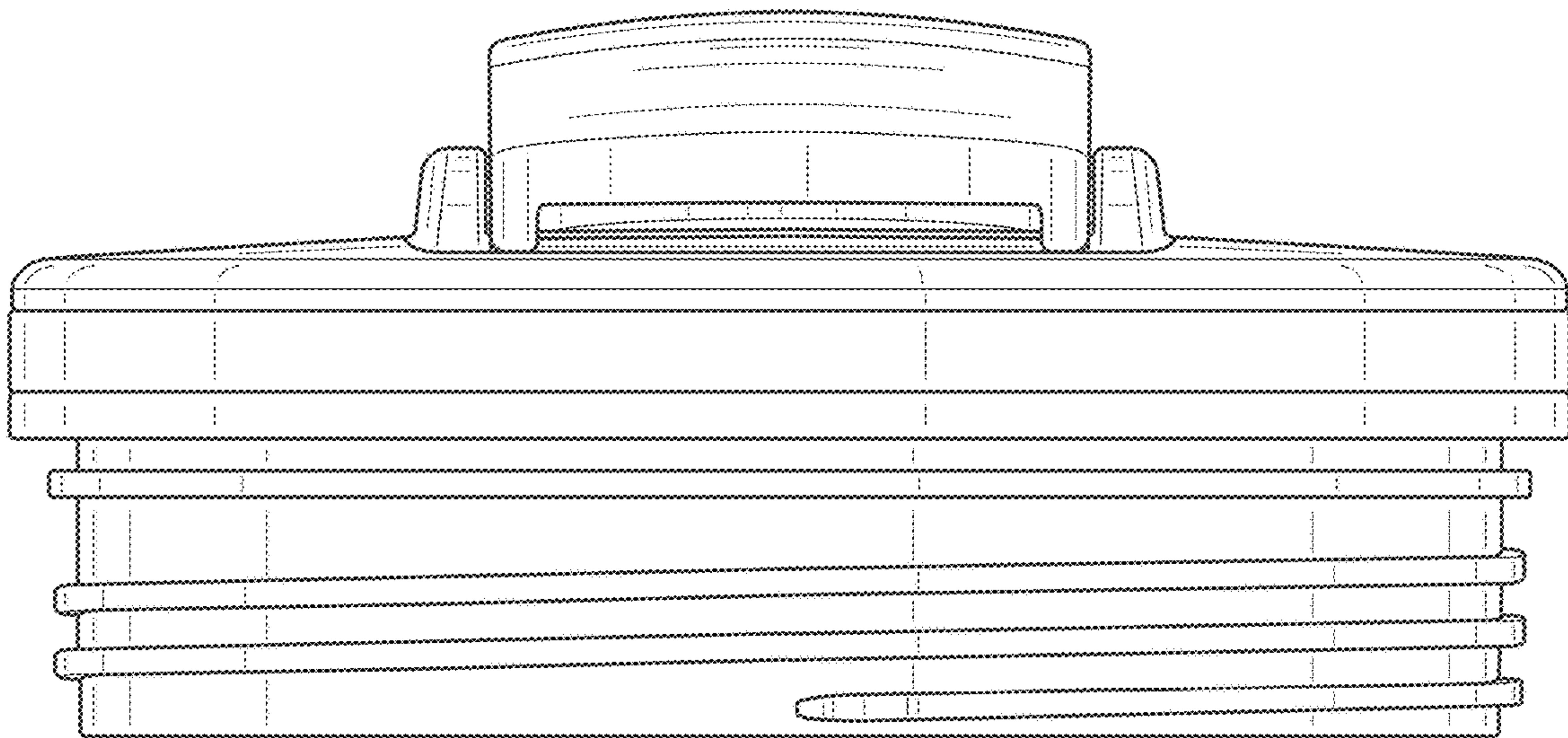


FIG. 3

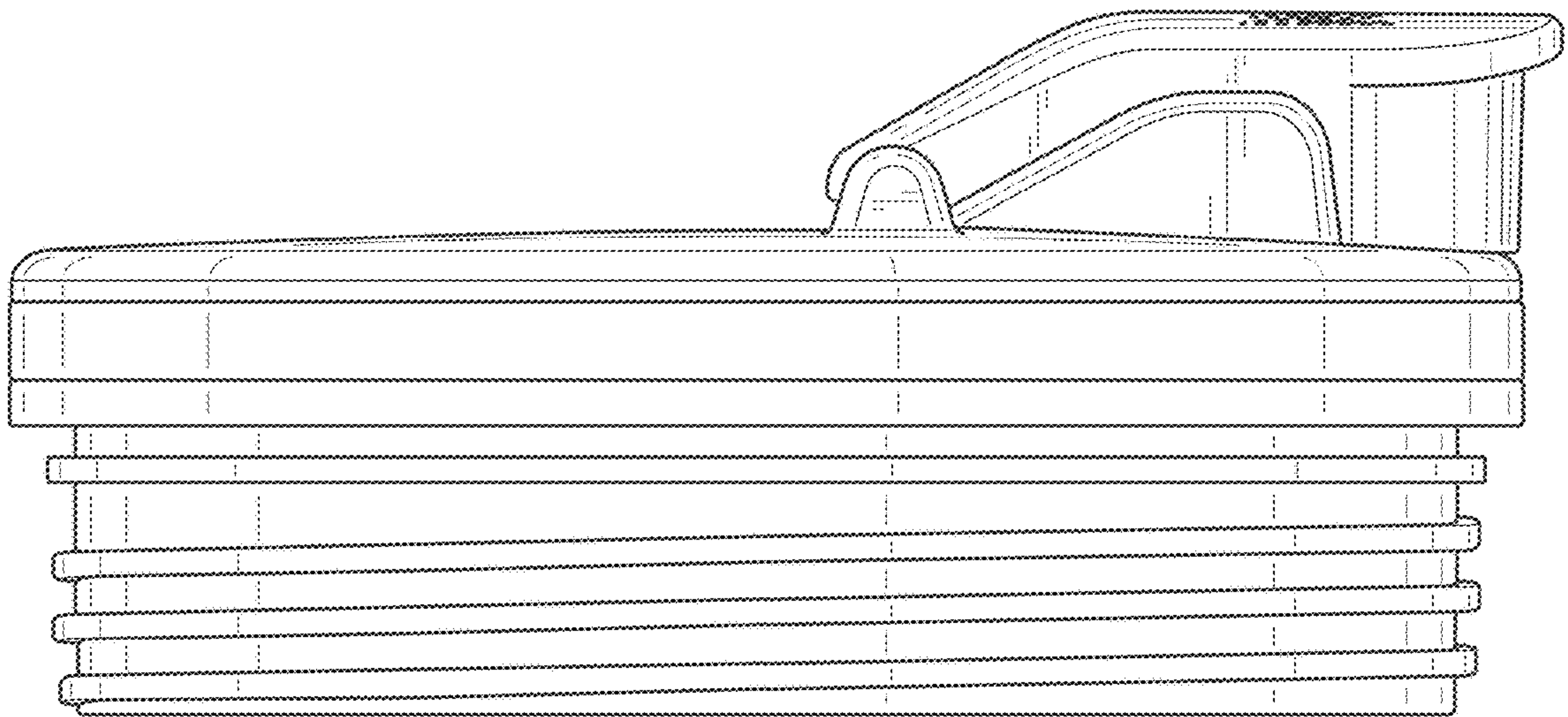


FIG. 4

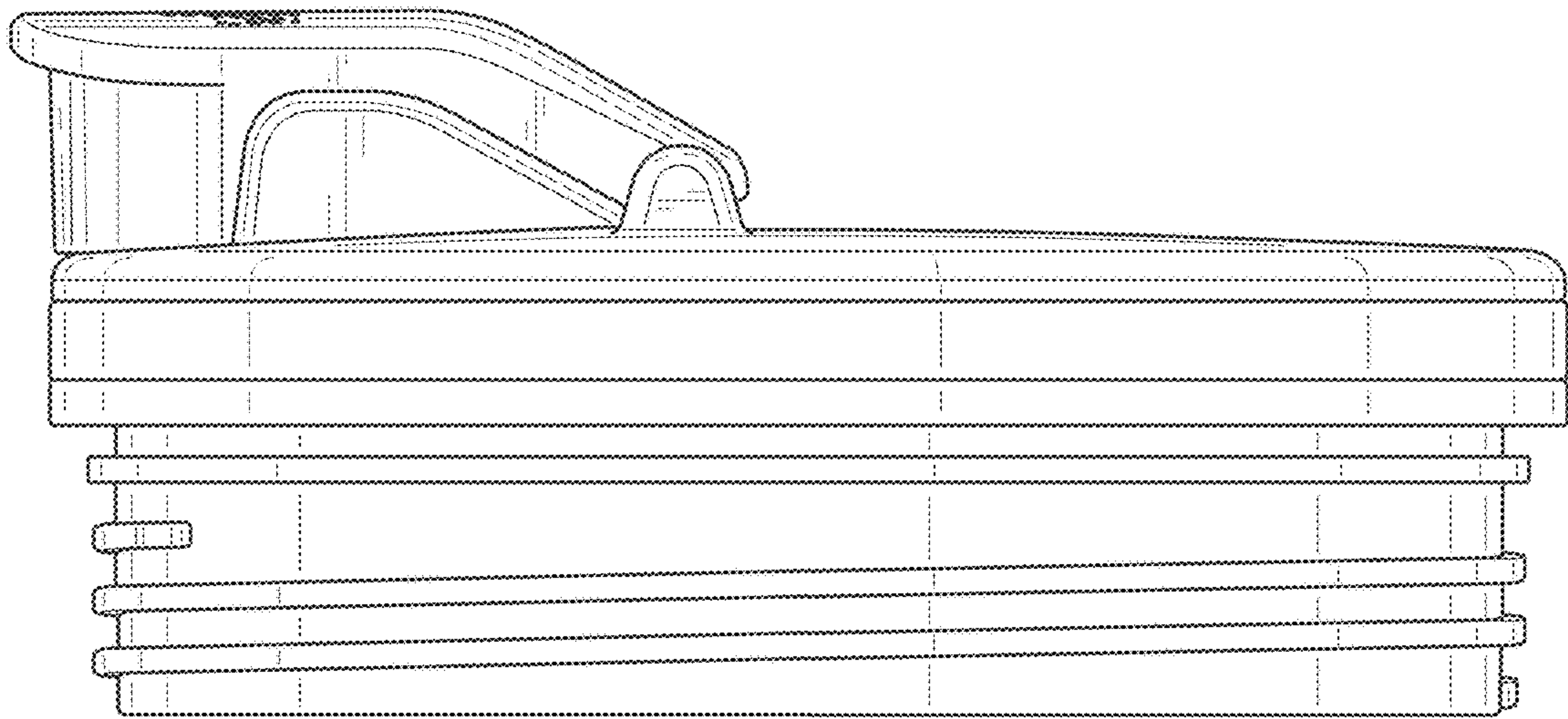


FIG. 5

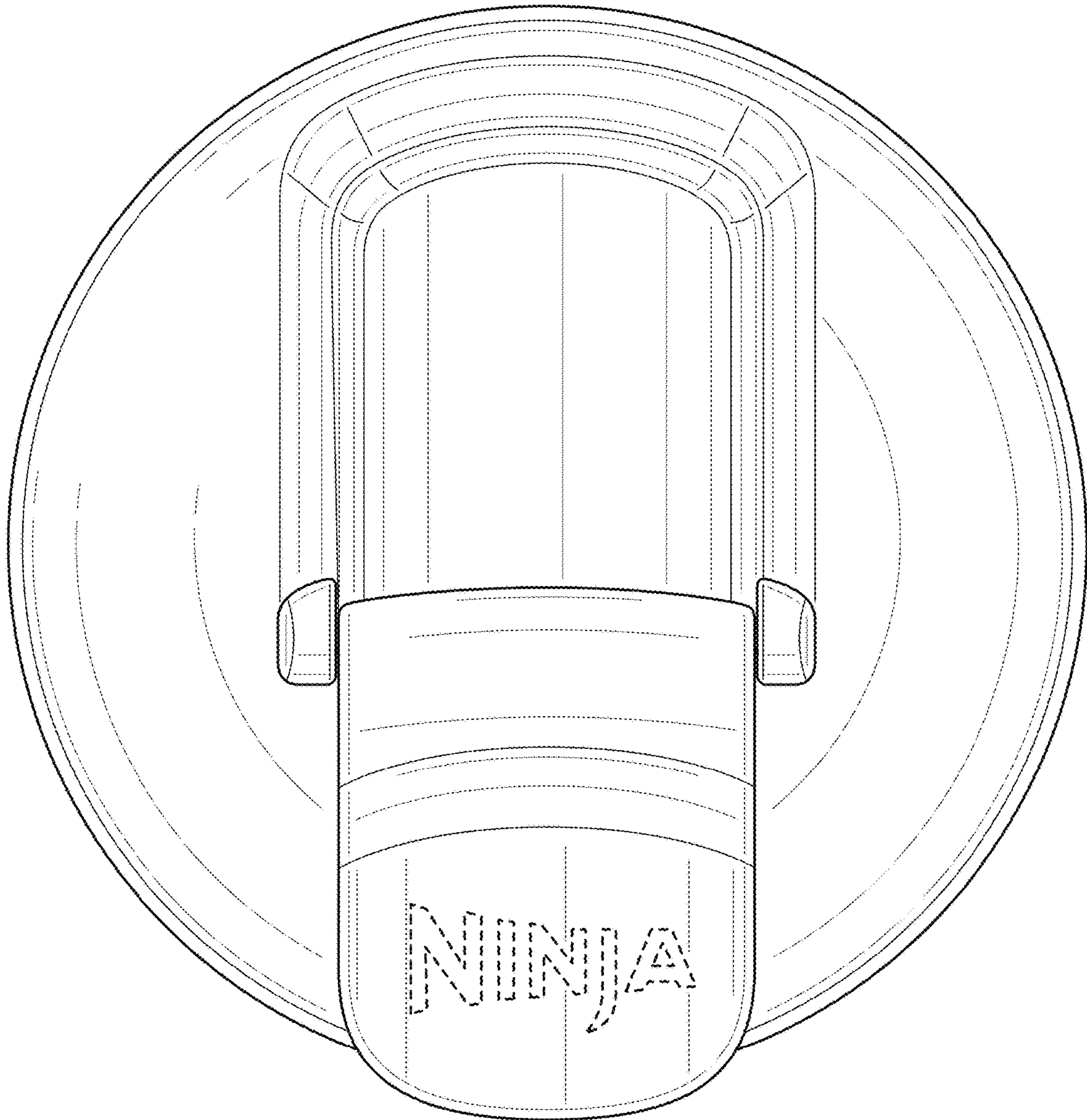


FIG. 6

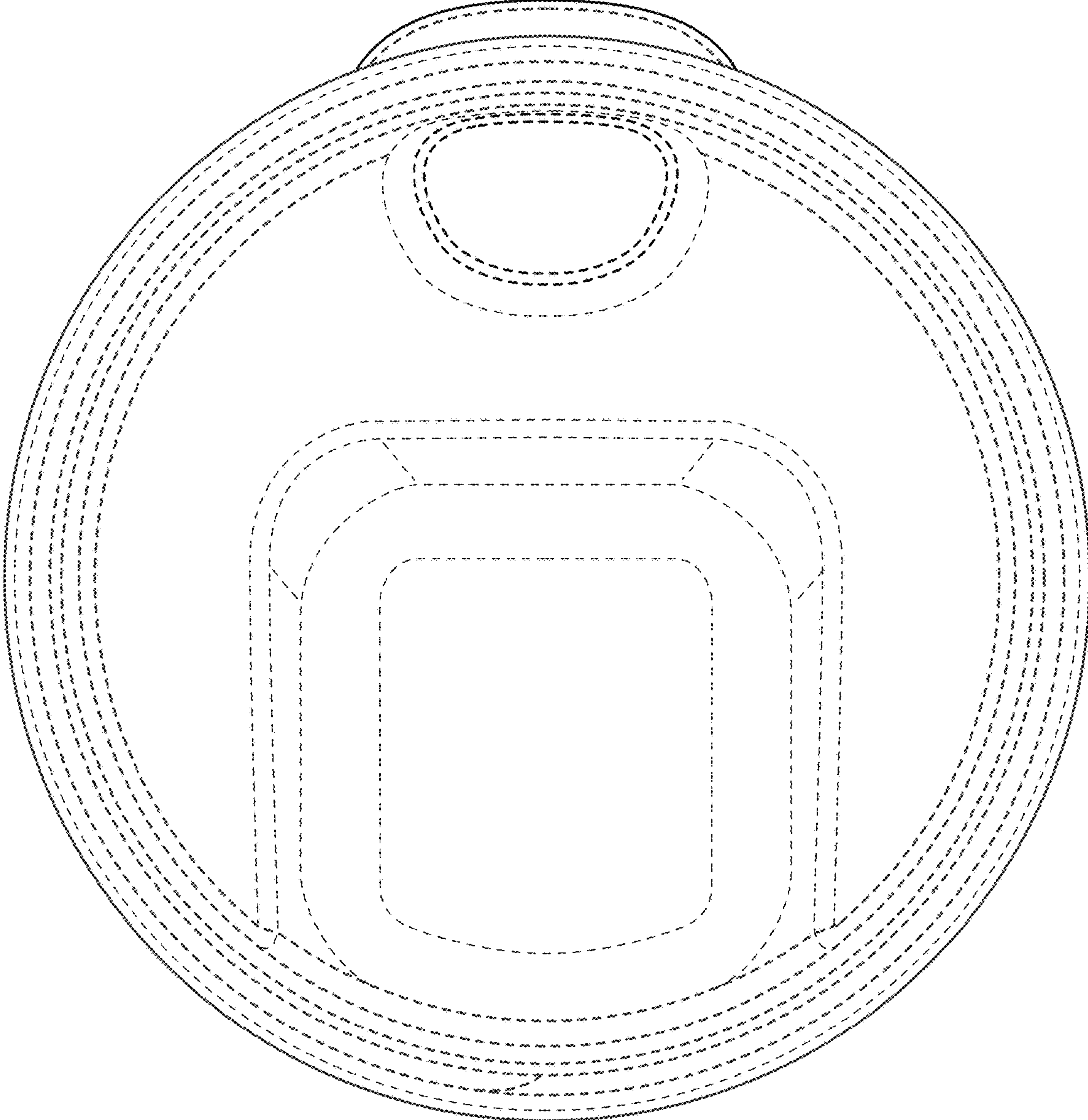


FIG. 7

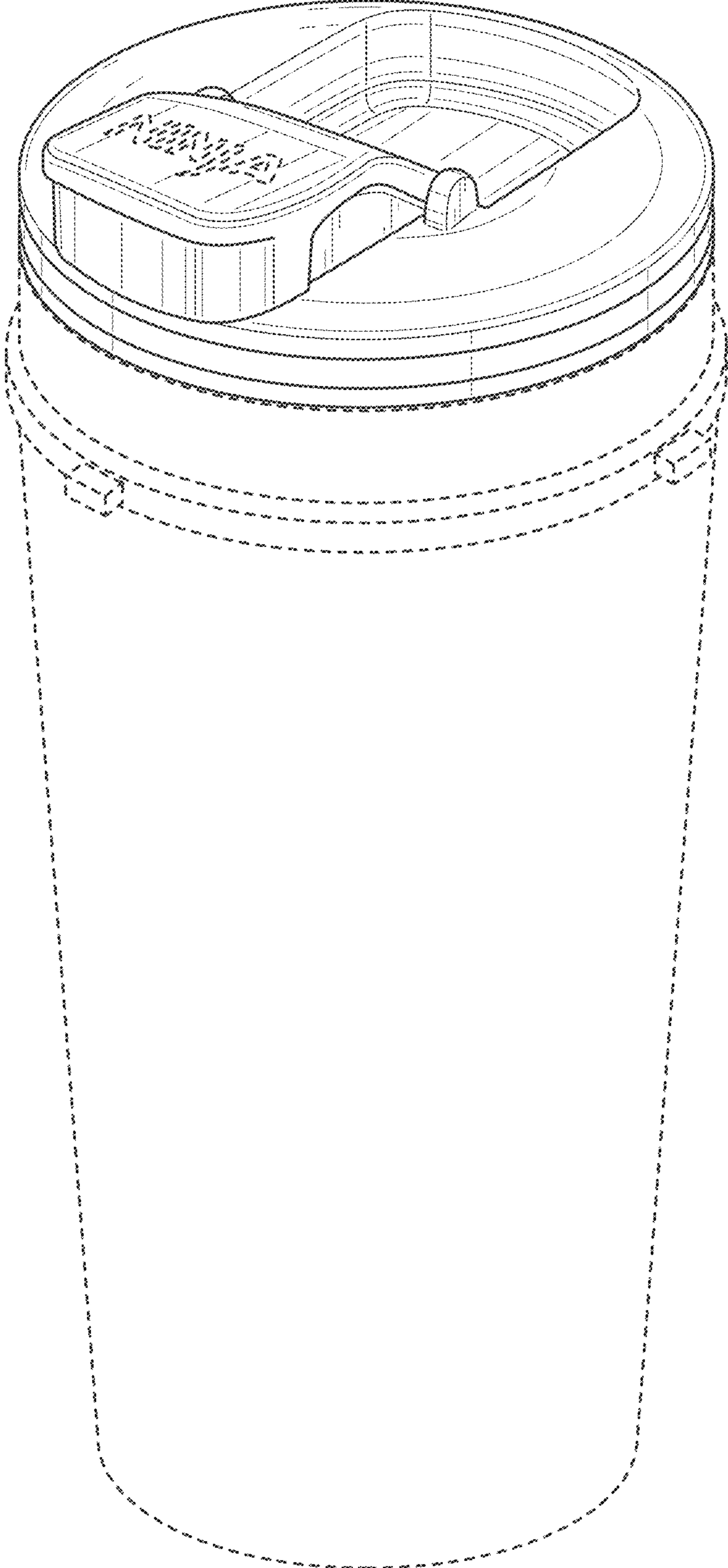


FIG. 8