



US00D788579S

(12) **United States Design Patent**
Ogdon et al.

(10) **Patent No.:** **US D788,579 S**
(45) **Date of Patent:** **** Jun. 6, 2017**

- (54) **COMBINED BOX AND HOLDER**
- (71) Applicant: **Moj.io Inc.**, Vancouver (CA)
- (72) Inventors: **Jason Shozo Ogdon**, Costa Mesa, CA (US); **Hyeryun Nam**, Chicago, IL (US); **Christopher Hudson**, Bartlett, IL (US); **Samuel Kai-Der Chen**, Long Beach, CA (US)
- (**) Term: **15 Years**
- (21) Appl. No.: **29/563,627**
- (22) Filed: **May 6, 2016**
- (51) **LOC (10) Cl.** **09-03**
- (52) **U.S. Cl.**
USPC **D9/431**
- (58) **Field of Classification Search**
USPC D9/414-434, 442-445, 456, 457, 542, D9/563, 600, 614-624, 655, 657, 658, D9/661, 685, 695, 697-699, 707, 708, D9/711, 754, 759, 772-776; D3/273, D3/276, 304, 305, 307, 309-313; D7/601, 602, 709; D19/75, 90
CPC B65D 5/00; B65D 5/001; B65D 5/0015; B65D 5/0227-5/0254; B65D 5/18; B65D 5/6605; B65D 5/48024; B65B 5/06
See application file for complete search history.

(56) **References Cited**

U.S. PATENT DOCUMENTS

- 3,339,721 A * 9/1967 Goldstein B65D 33/02 206/499
- D271,943 S * 12/1983 Beise D9/415
- D308,338 S * 6/1990 Yeh D9/415
- D361,225 S * 8/1995 Wilhite D6/682.2
- D385,187 S * 10/1997 Loft D9/415
- D469,687 S * 2/2003 Larian D9/415
- D504,622 S * 5/2005 Takahashi D9/707
- D517,420 S * 3/2006 Scheider D3/240

- D611,705 S * 3/2010 Romero D3/232
- D639,016 S * 6/2011 Rea D1/199
- D695,634 S * 12/2013 Holsmer D9/753
- D718,529 S * 12/2014 Wang D3/290
- D765,500 S * 9/2016 Brown D9/415
- 2001/0030228 A1* 10/2001 Todjar-Hengami .. B65D 5/0254 229/120.03

(Continued)

Primary Examiner — Vy Koenig

Assistant Examiner — Omeed Agilee

(74) *Attorney, Agent, or Firm* — Damien G. Loveland

(57) **CLAIM**

The ornamental design for a combined box and holder, as shown and described.

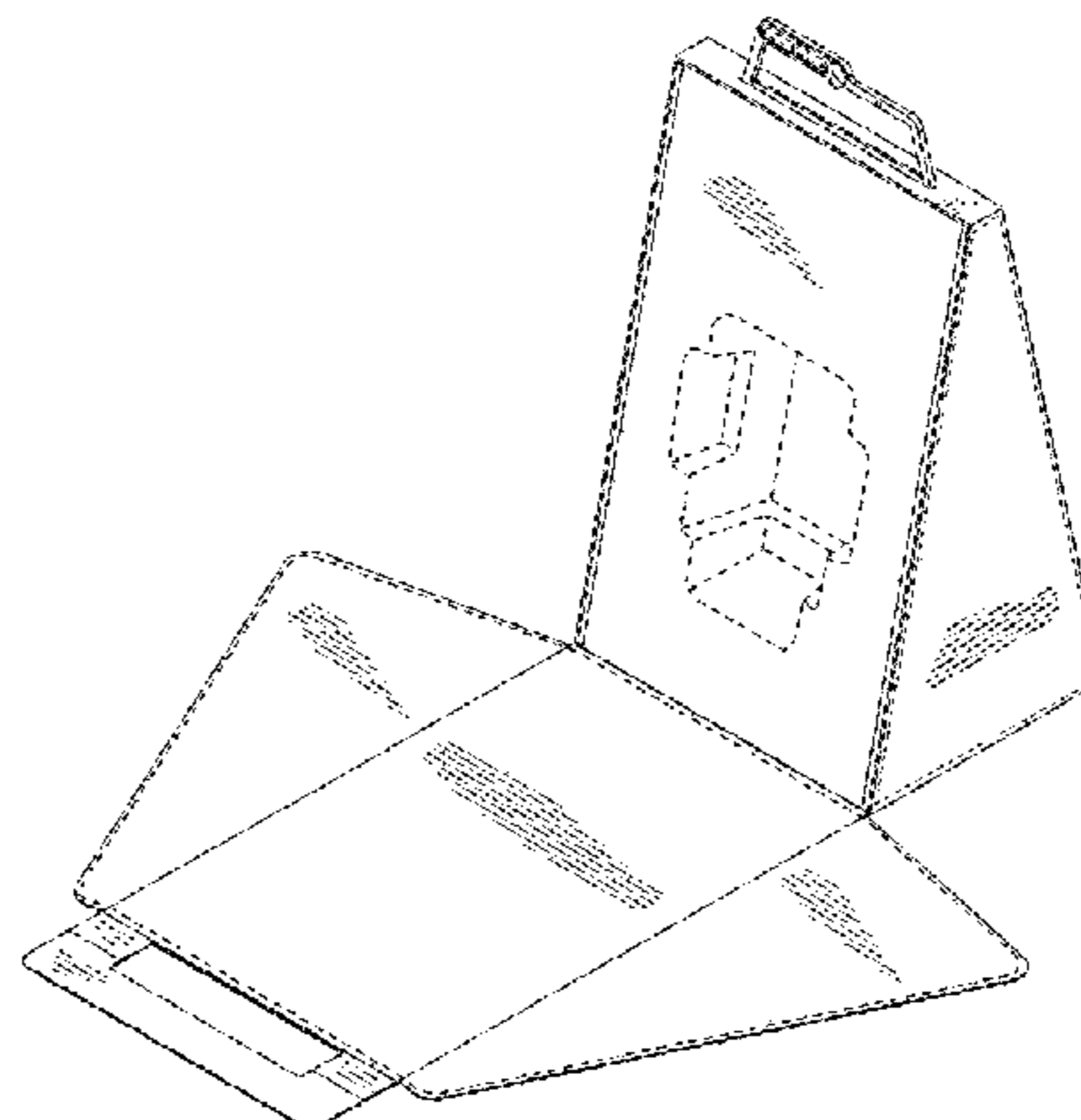
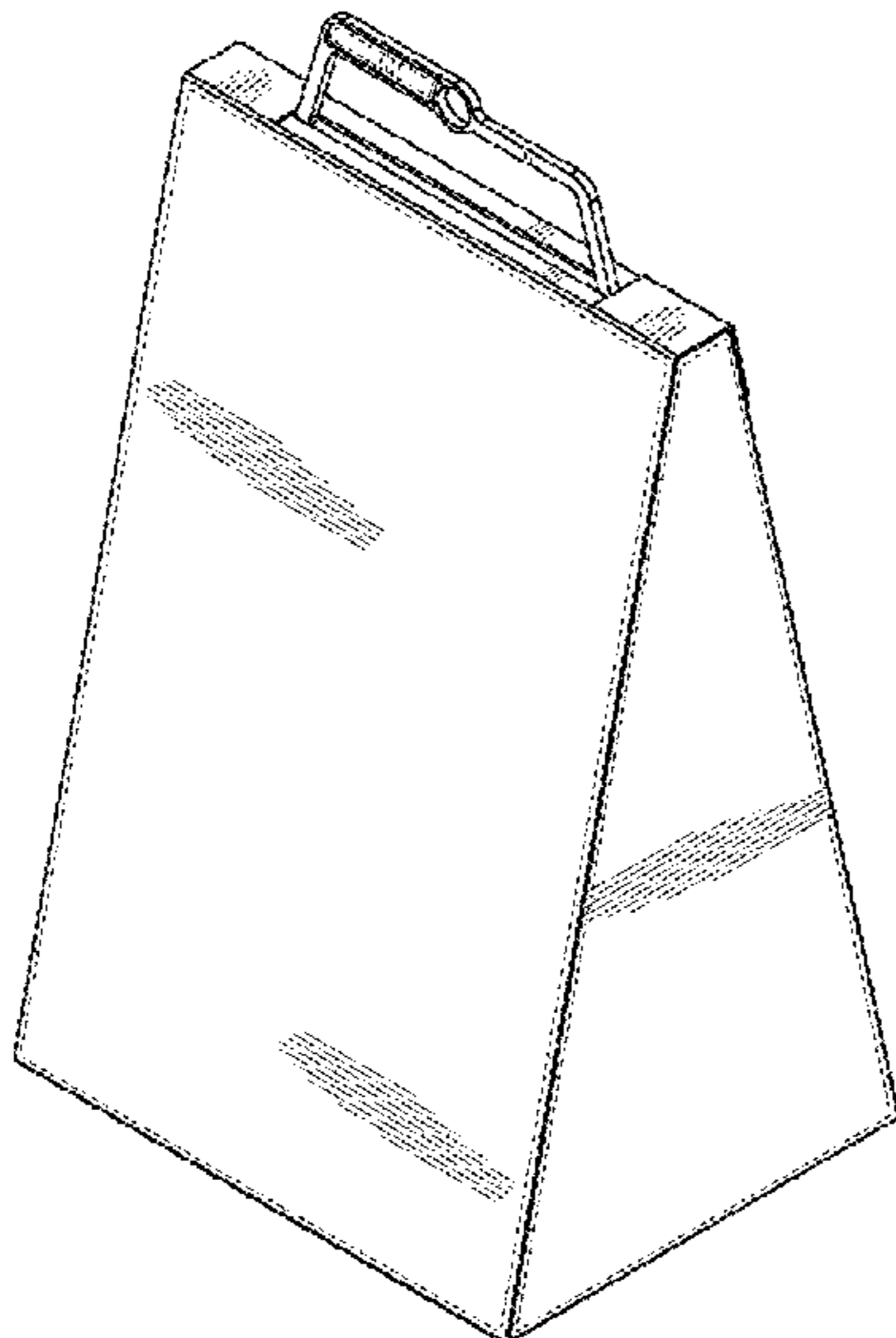
DESCRIPTION

FIG. 1 is a front, right and top perspective view of the combined box and holder showing our new design; FIG. 2 is a front side elevational view thereof; FIG. 3 is a rear side elevational view thereof; FIG. 4 is a right side elevational view thereof; FIG. 5 is a left side elevational view thereof; FIG. 6 is a top plan view thereof; FIG. 7 is a front, right and top perspective view of the combined box and holder in a partially open configuration; FIG. 8 is a bottom view of the combined box and holder in a partially open configuration; and, FIG. 9 is a right side elevational view of the combined box and holder in a partially open configuration, the left side elevational view being a mirror of FIG. 9 apart from the detail in the handle which is visible in FIG. 5.

The broken lines near the periphery of the panels and on the handle depict environmental subject matter, specifically areas where graphic and/or textual illustration may be applied upon, and form no part of the claimed design.

The broken lines in the holder part of the article in FIG. 7 depict a portion, specifically a recess, of the combined box and holder that forms no part of the claimed design.

1 Claim, 9 Drawing Sheets



(56)

References Cited

U.S. PATENT DOCUMENTS

2003/0111521 A1* 6/2003 Holmes B65D 5/0254
229/117

* cited by examiner

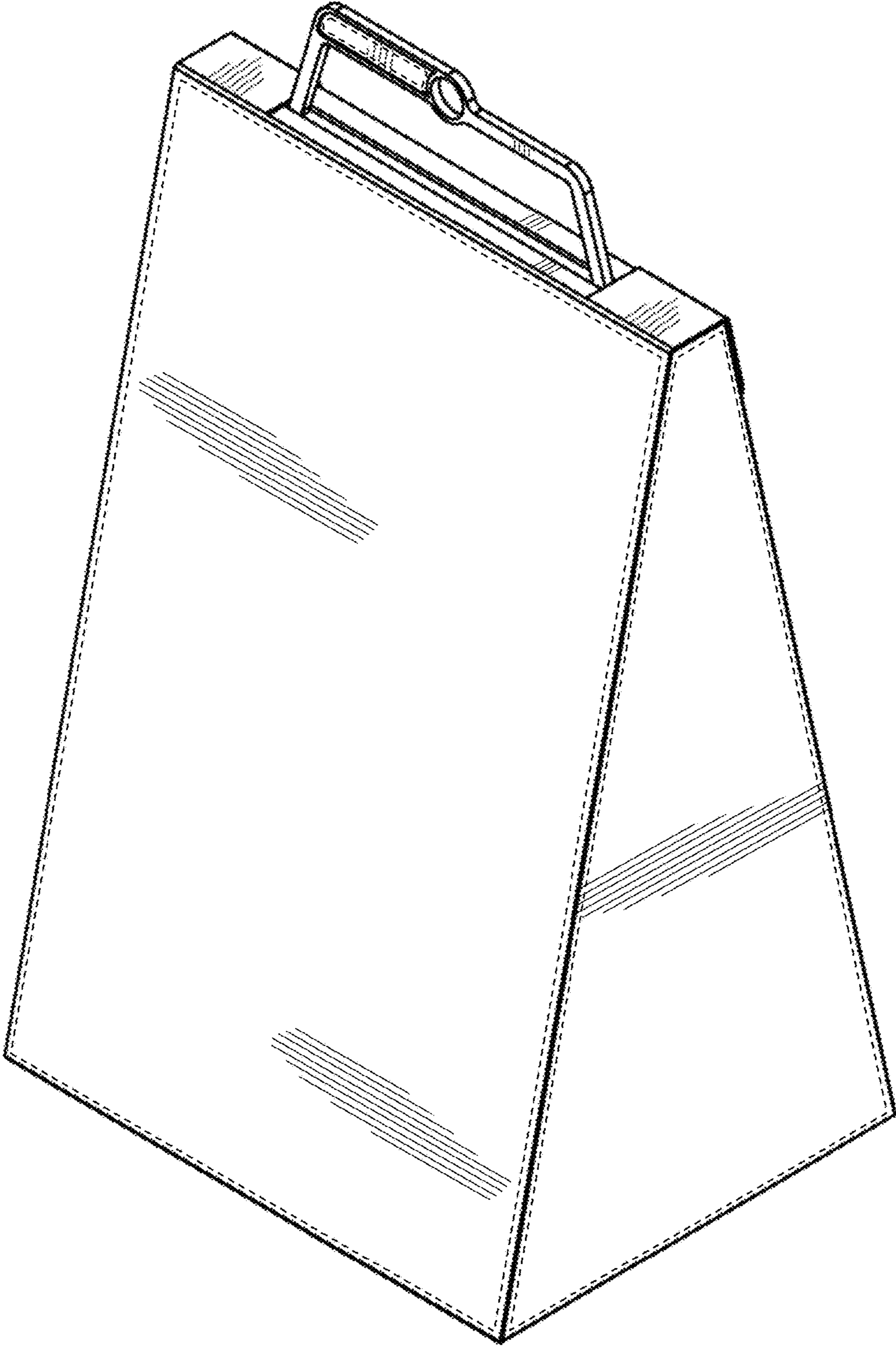


FIG. 1

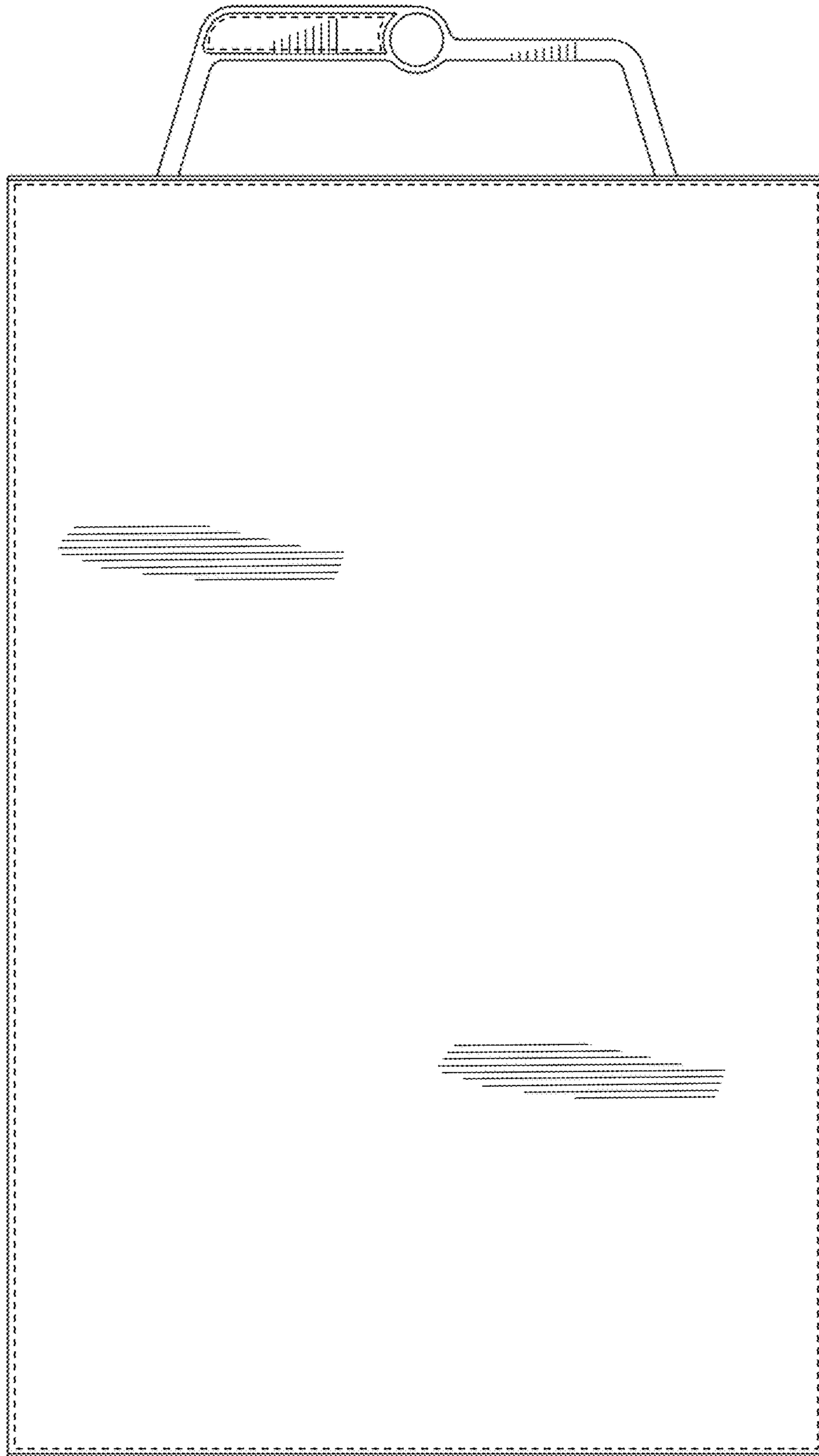


FIG. 2

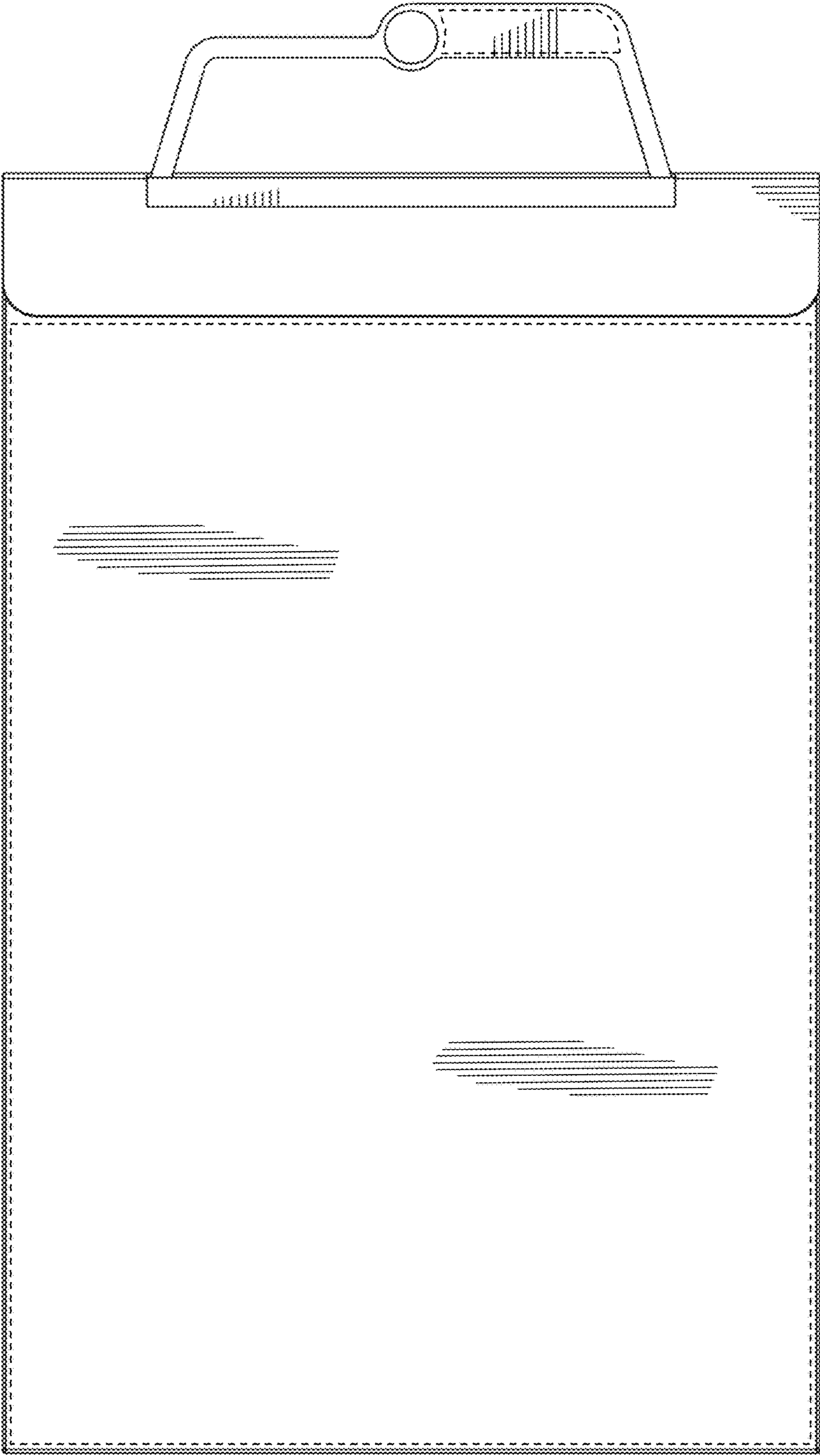


FIG. 3

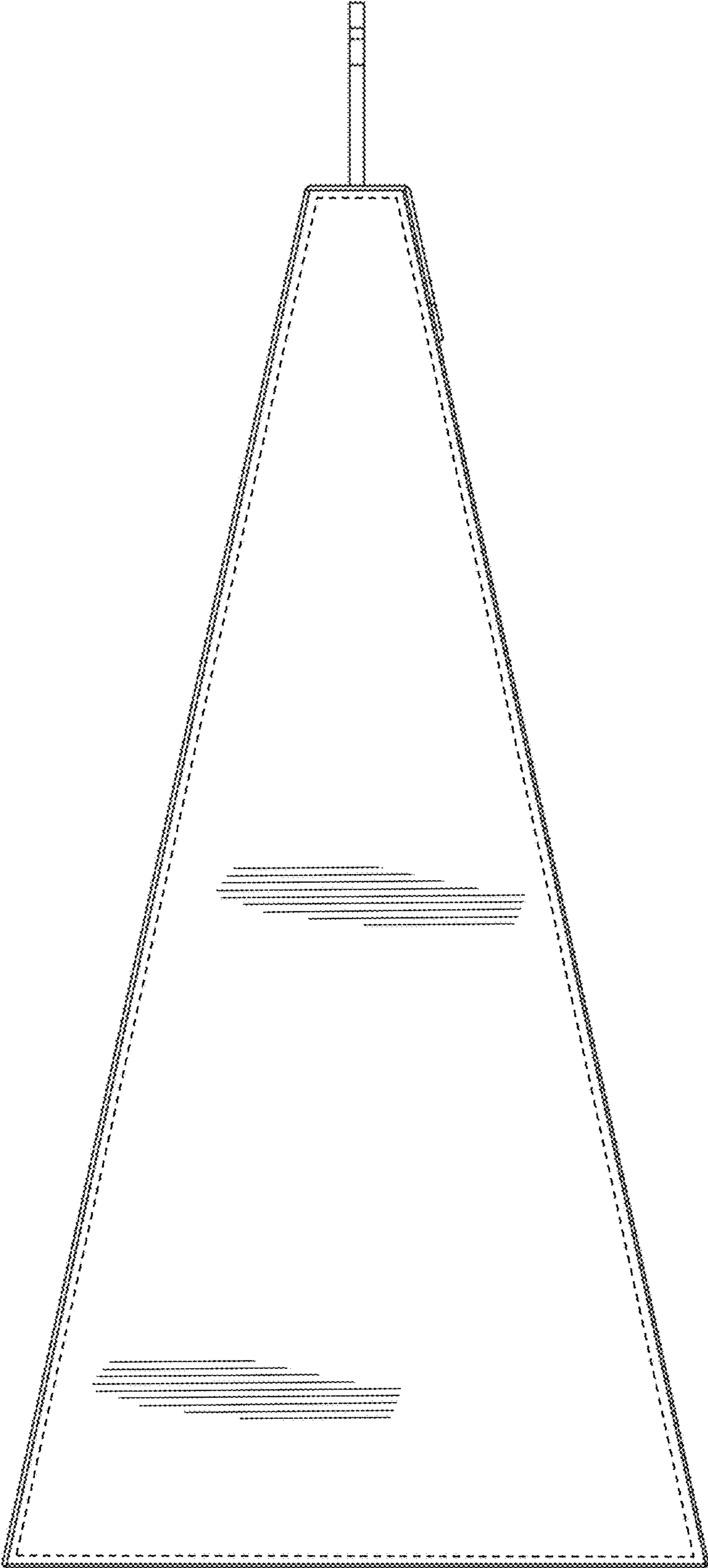


FIG. 4

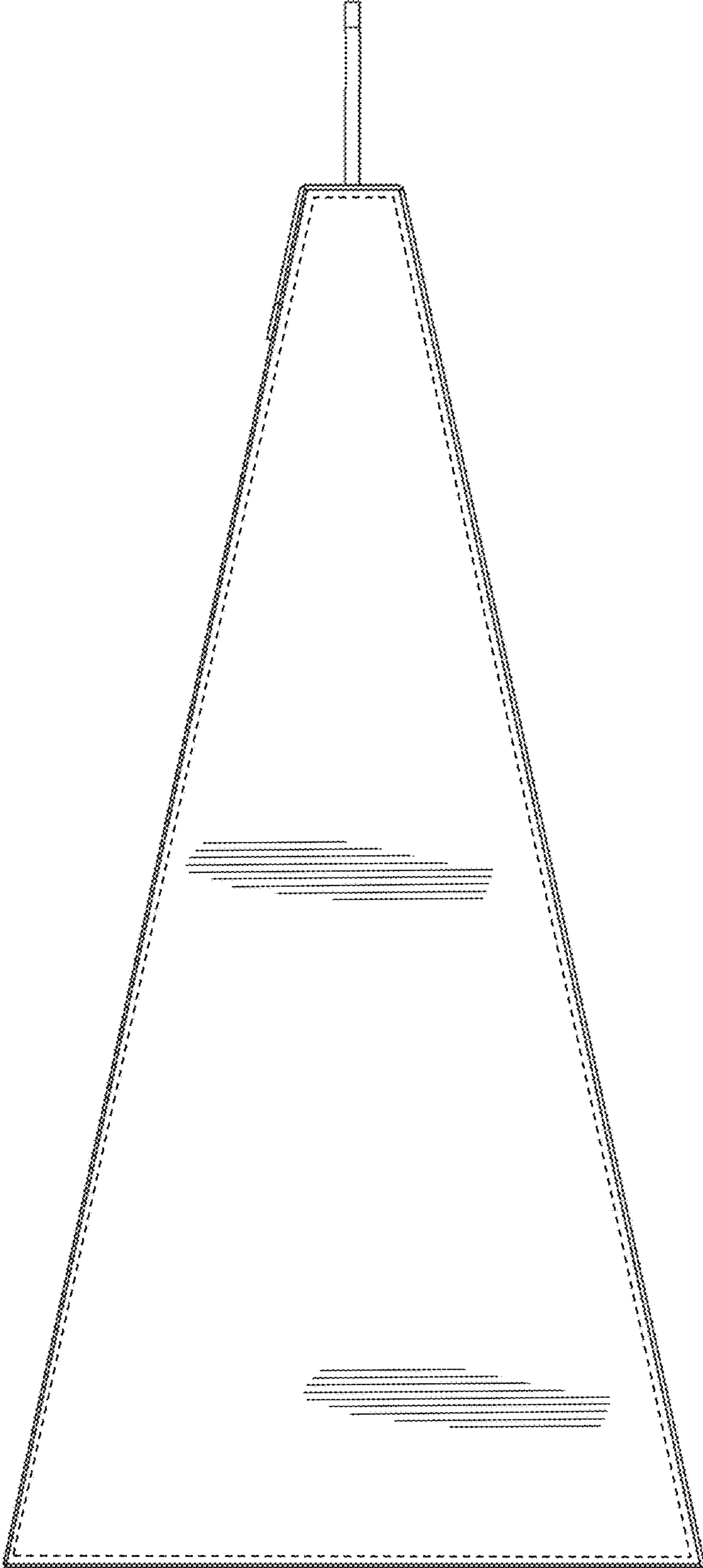


FIG. 5

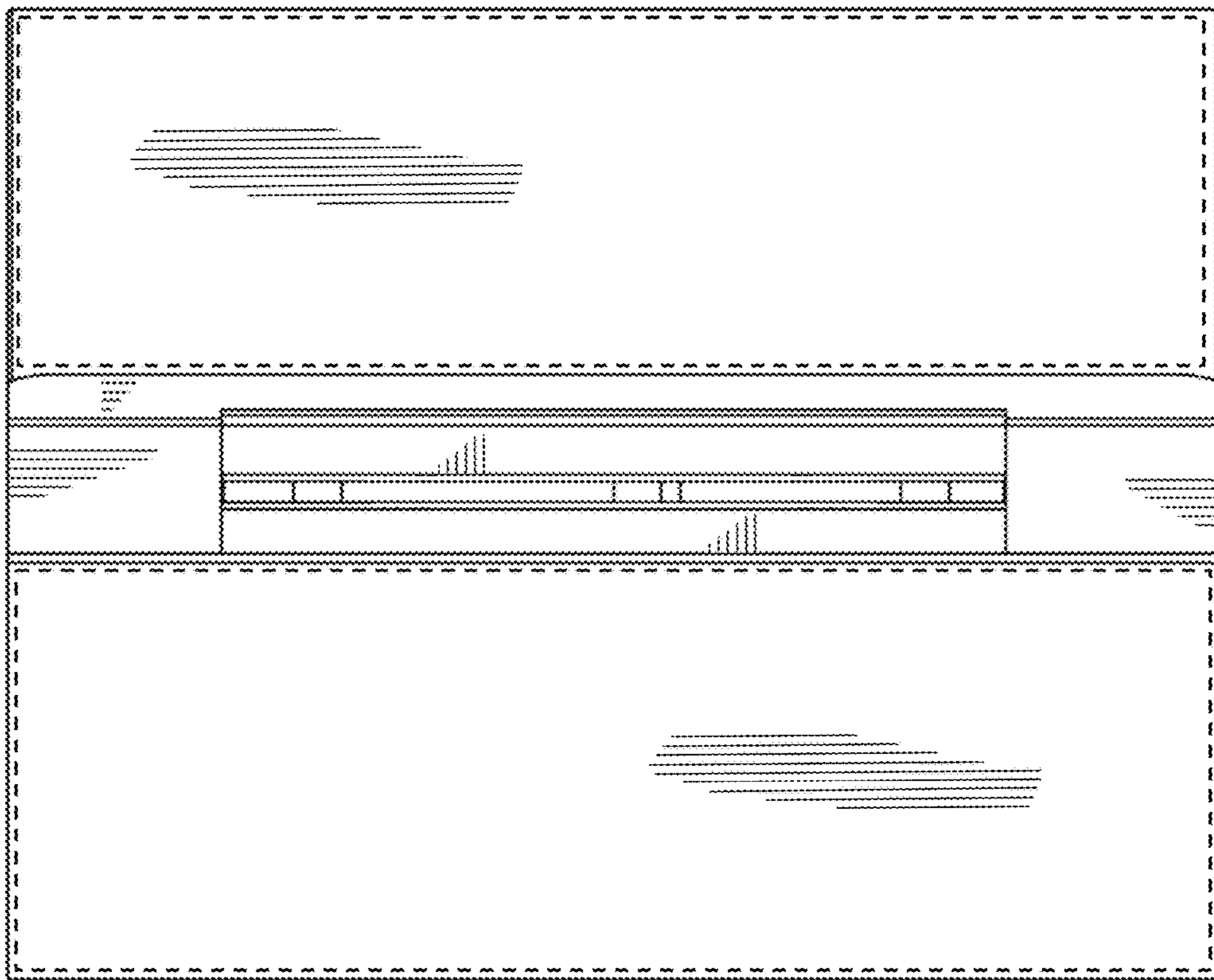


FIG. 6

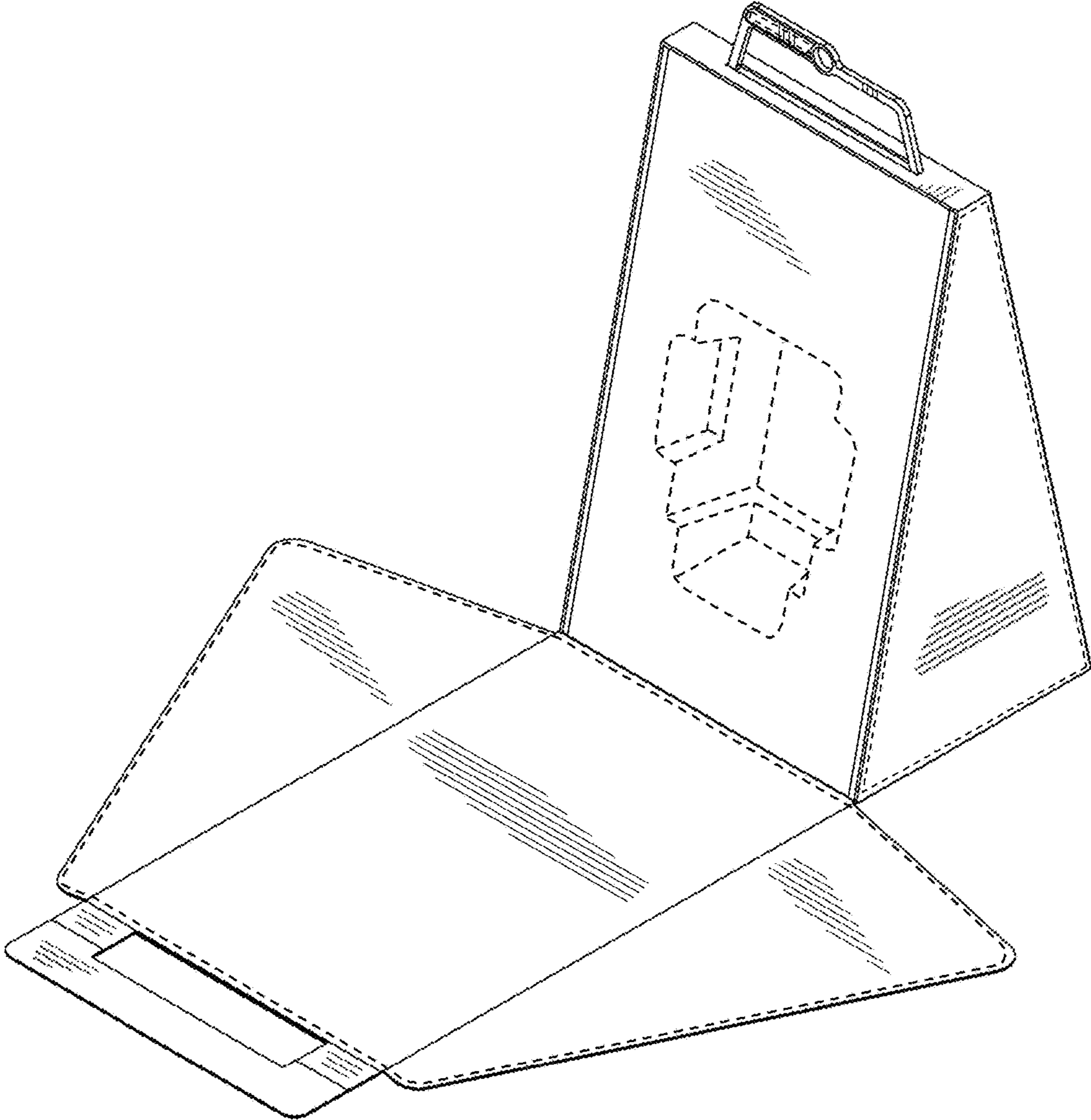


FIG. 7

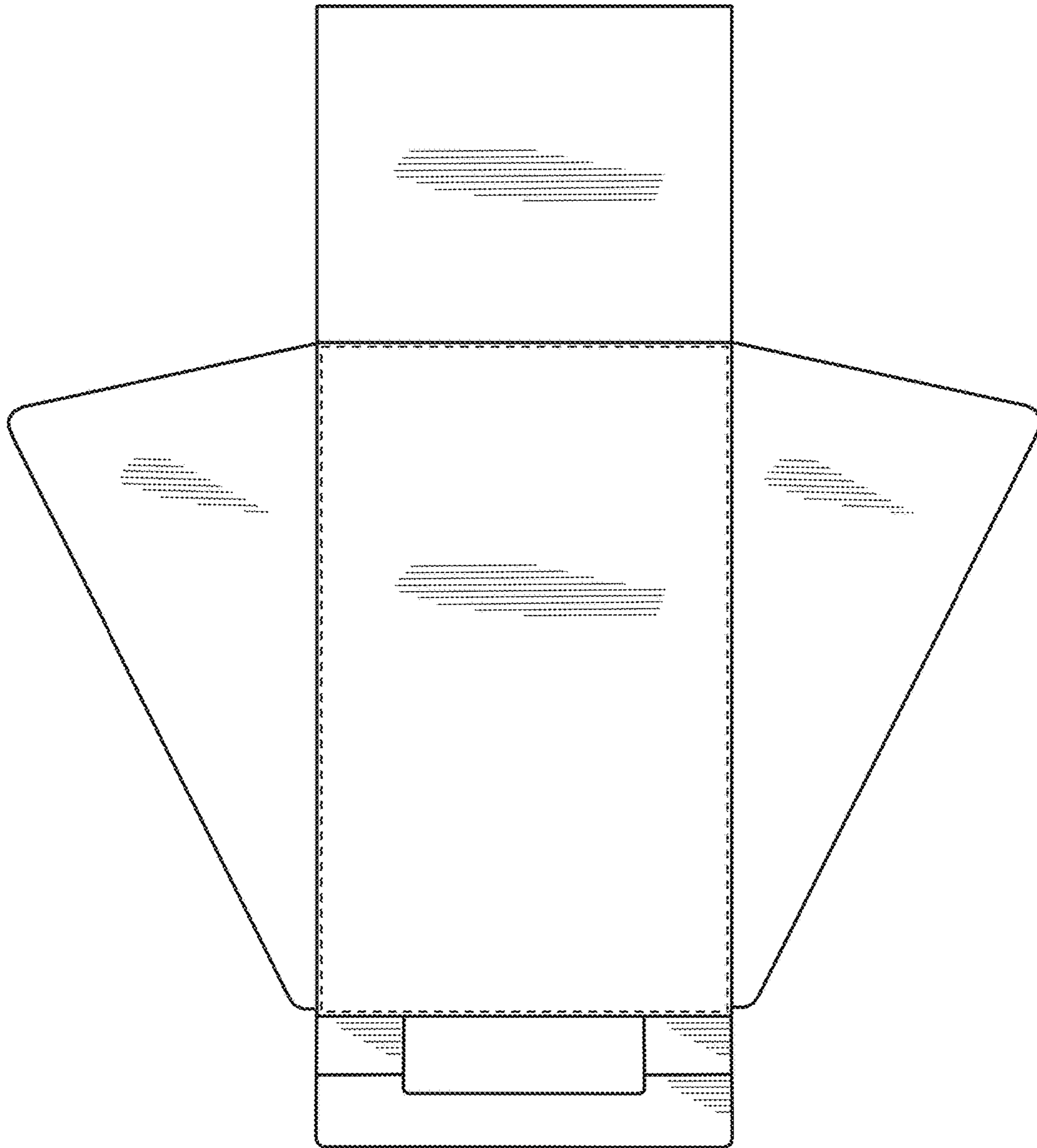


FIG. 8

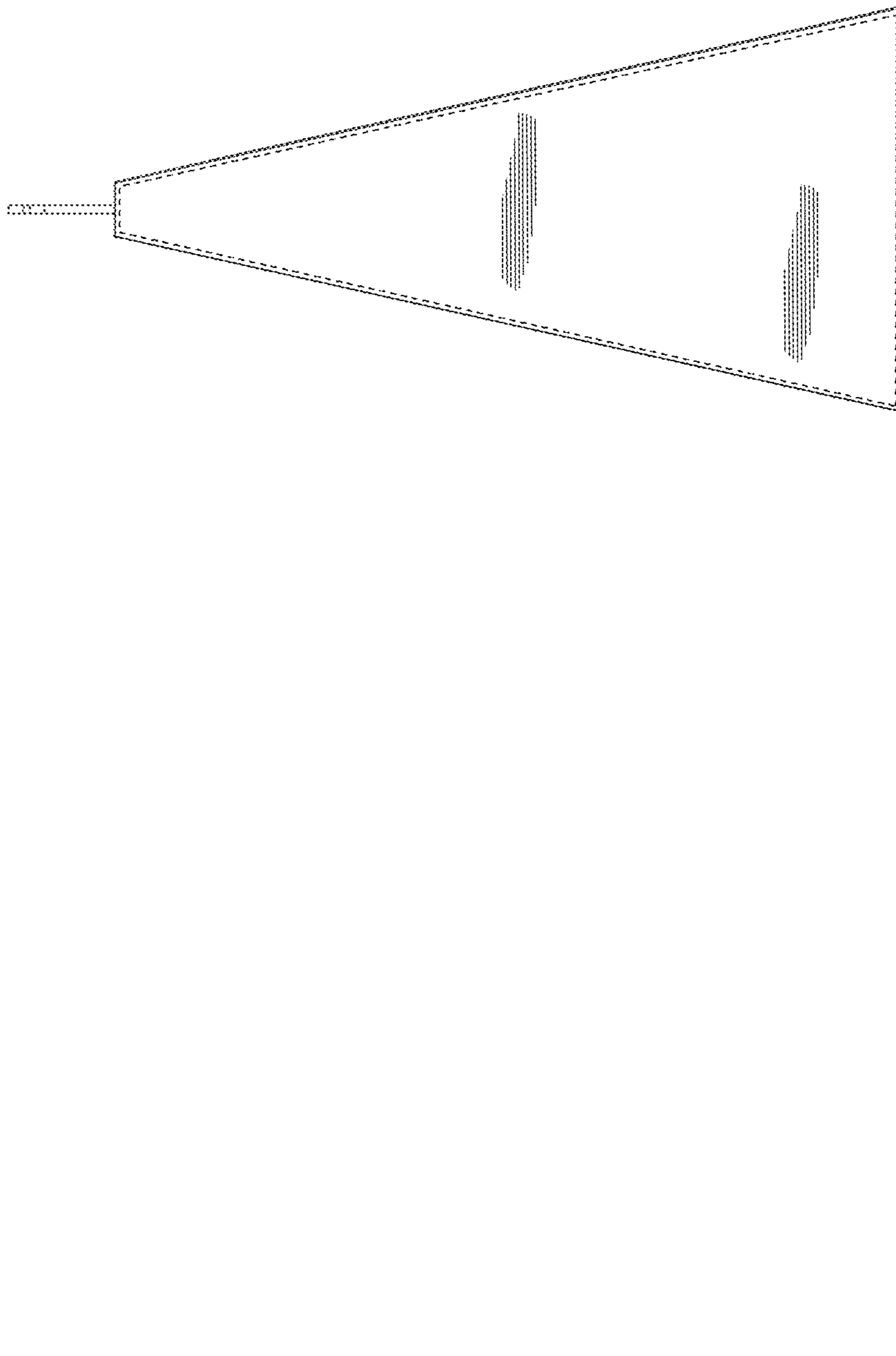


FIG. 9