



US00D788577S

(12) **United States Design Patent** (10) **Patent No.:** **US D788,577 S**
Schaude (45) **Date of Patent:** **** Jun. 6, 2017**

(54) **COFFEE CAPSULE**
(71) Applicant: **SWISS COFFEE COMPANY AG,**
Widnau (CH)
(72) Inventor: **Nick Schaude,** Ruthi (CH)
(73) Assignee: **SWISS COFFEE COMPANY AG**
(CH)
(**) Term: **15 Years**
(21) Appl. No.: **29/569,661**
(22) Filed: **Jun. 29, 2016**
(51) **LOC (10) Cl.** **09-03**
(52) **U.S. Cl.**
USPC **D9/416**
(58) **Field of Classification Search**
USPC D9/426, 428, 429, 444; D7/300, 399,
D7/400; 1/1; 426/82, 112, 115, 432,
426/433; 99/295
CPC B65D 85/8043; A47J 31/00; A47J 31/06;
A47J 31/10; A47J 31/36; A47J 31/40;
A47J 31/44; A47J 31/3628; A47J
31/3633; A47J 9/00; A47J 19/00; A47J
27/00; A47J 42/00; A47J 42/02; A47J
43/00
See application file for complete search history.

D745,824 S * 12/2015 Ritter D9/416
D747,139 S * 1/2016 Rondelli D7/400
D748,977 S * 2/2016 Doria D9/428
D753,483 S * 4/2016 Accursi D9/429
D760,584 S * 7/2016 Katz D9/416
D766,078 S * 9/2016 Hansen D9/416
D771,435 S * 11/2016 Cutuli D7/400
D774,888 S * 12/2016 Gerber D9/416
9,540,167 B2 * 1/2017 Zweed B65D 85/8043
2008/0264267 A1 * 10/2008 Doglioni Majer . B65D 85/8043
99/295
2013/0224341 A1 * 8/2013 BenDavid B65D 85/8043
426/112
2014/0120217 A1 * 5/2014 O'Brien B65D 85/8043
426/115
2014/0170281 A1 * 6/2014 Zweed B65D 53/02
426/433
2014/0199442 A1 * 7/2014 Orsi B65D 85/8043
426/112
2014/0205721 A1 * 7/2014 Orsi B65D 85/8043
426/115

(Continued)

Primary Examiner — Wan Laymon
Assistant Examiner — Clint A Samuel
(74) *Attorney, Agent, or Firm* — Morris O'Bryant
Compagni, PC

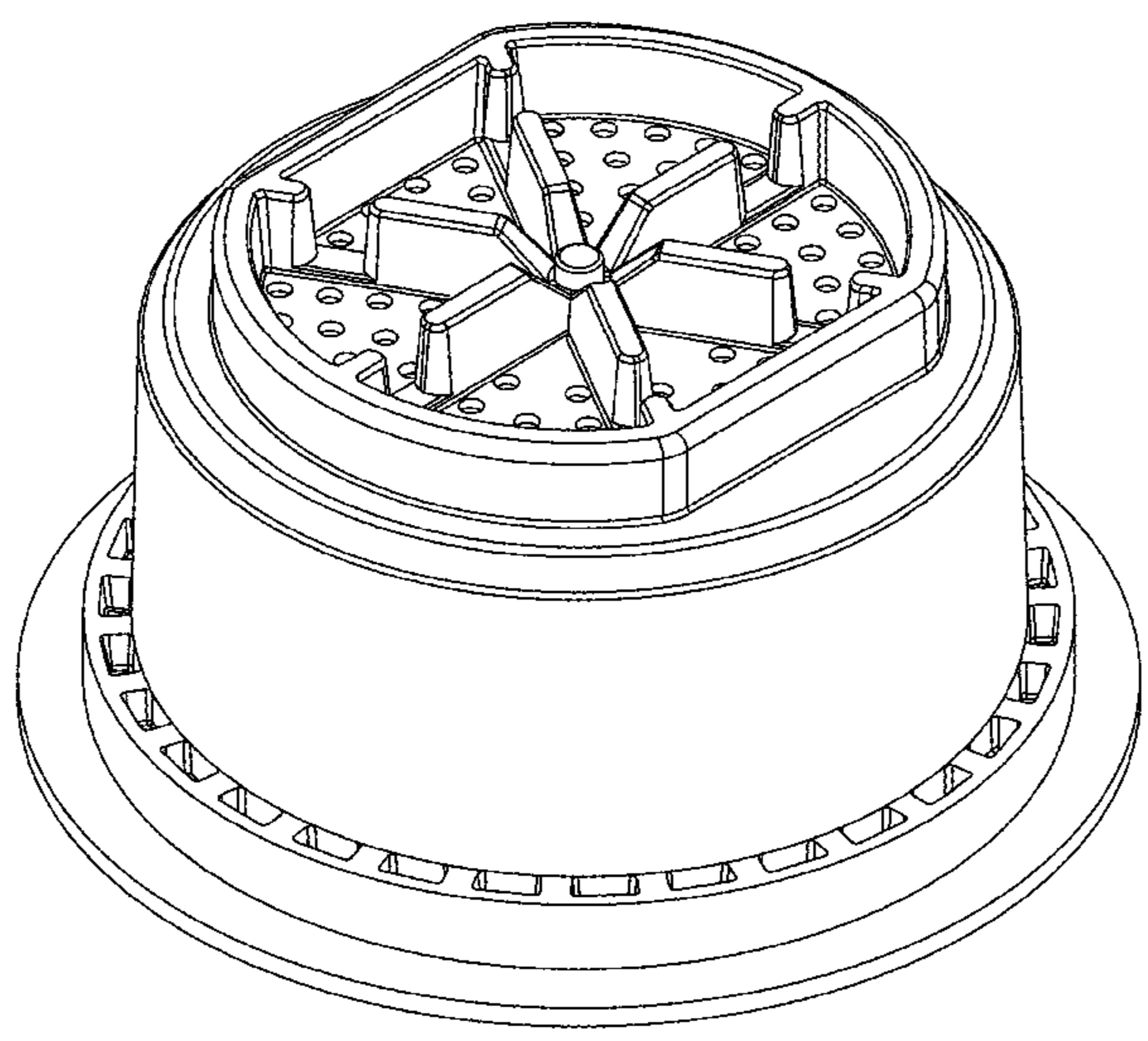
(57) **CLAIM**
The ornamental design for the coffee capsule, as shown and
described.

DESCRIPTION

FIG. 1 is a perspective bottom side view of a coffee capsule
of the present invention;
FIG. 2 is a bottom side view of the coffee capsule;
FIG. 3 is a top side view of the coffee capsule;
FIG. 4 is a left side view of the coffee capsule;
FIG. 5 is a right side view of the coffee capsule;
FIG. 6 is a front side view of the coffee capsule; and,
FIG. 7 is a back side view of the coffee capsule.

1 Claim, 7 Drawing Sheets

(56) **References Cited**
U.S. PATENT DOCUMENTS
D256,079 S * 7/1980 Moncrief D7/400
D288,057 S * 2/1987 Webster D7/400
D407,602 S * 4/1999 Patel D7/400
D598,706 S * 8/2009 Neace D7/399
D724,426 S * 3/2015 Hu D9/416
D727,141 S * 4/2015 Mastropasqua D9/416
D733,554 S * 7/2015 Rubinstein D9/416
D734,985 S * 7/2015 Furia D7/399
D745,386 S * 12/2015 Covey D9/416



(56)

References Cited

U.S. PATENT DOCUMENTS

2016/0039601 A1* 2/2016 Doglioni Majer A47J 31/407
99/295
2016/0355327 A1* 12/2016 Minganti B65D 85/8043
2016/0362246 A1* 12/2016 Garcin A47J 31/0673

* cited by examiner

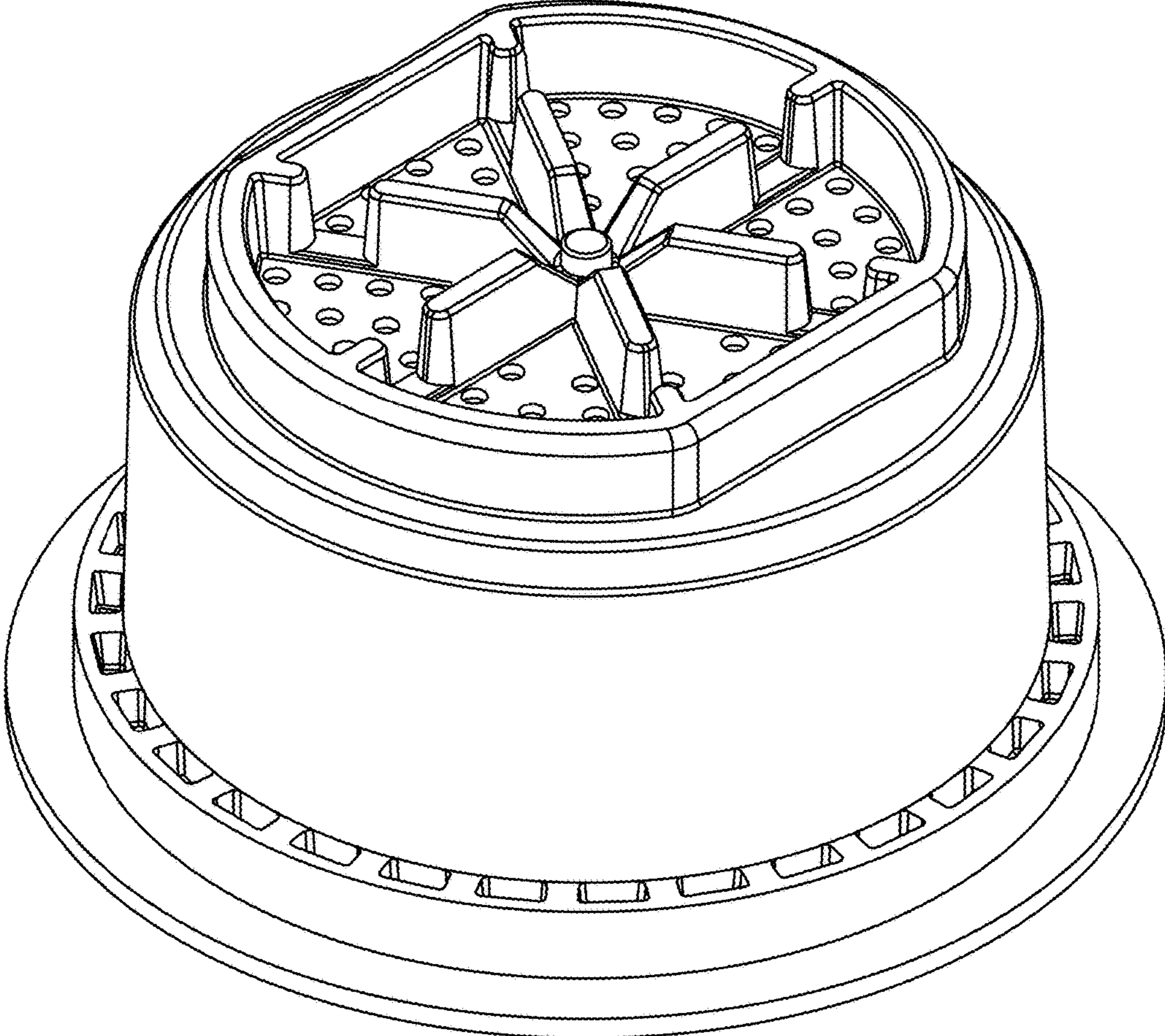


FIG. 1

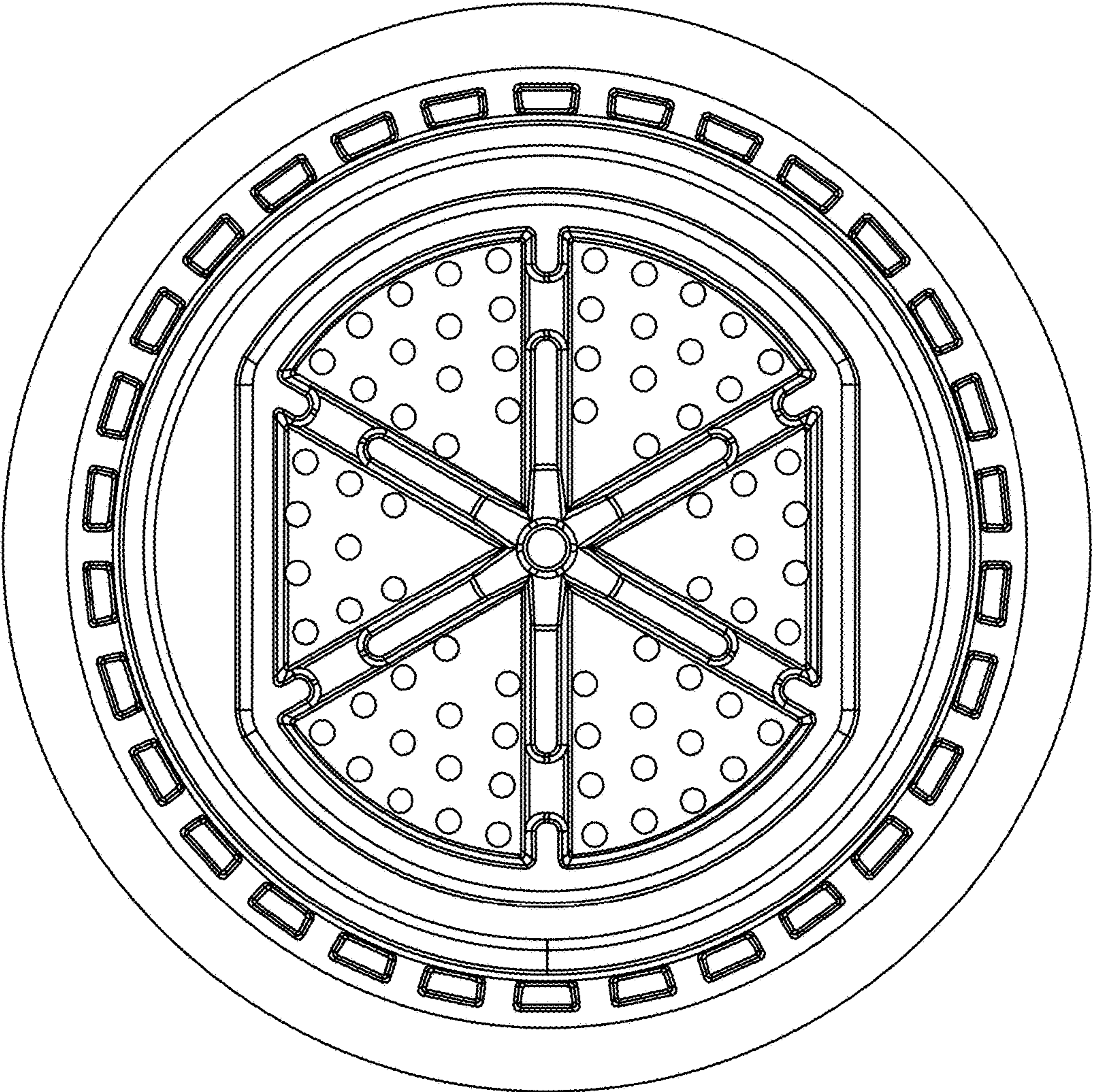


FIG. 2

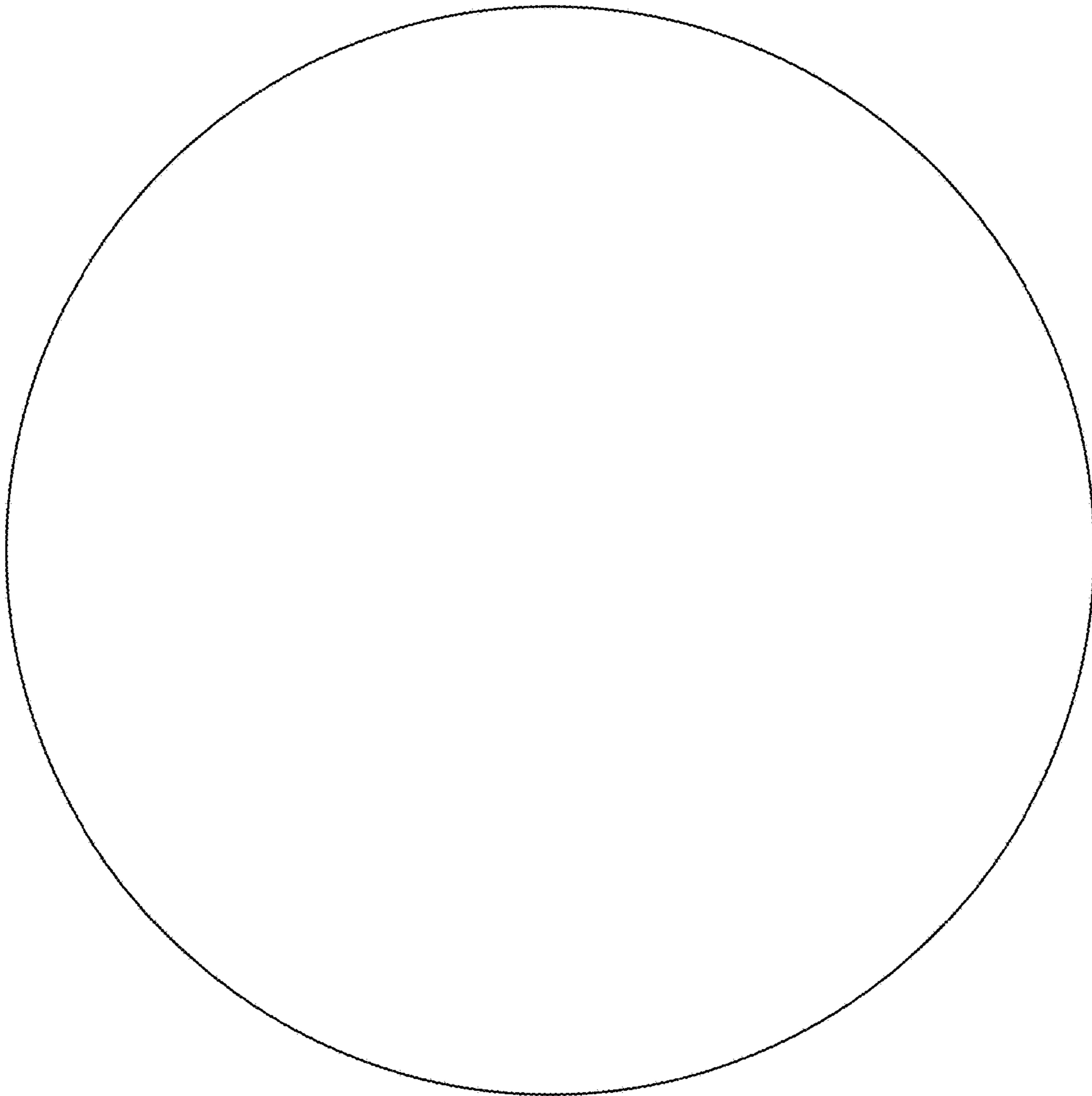


FIG. 3

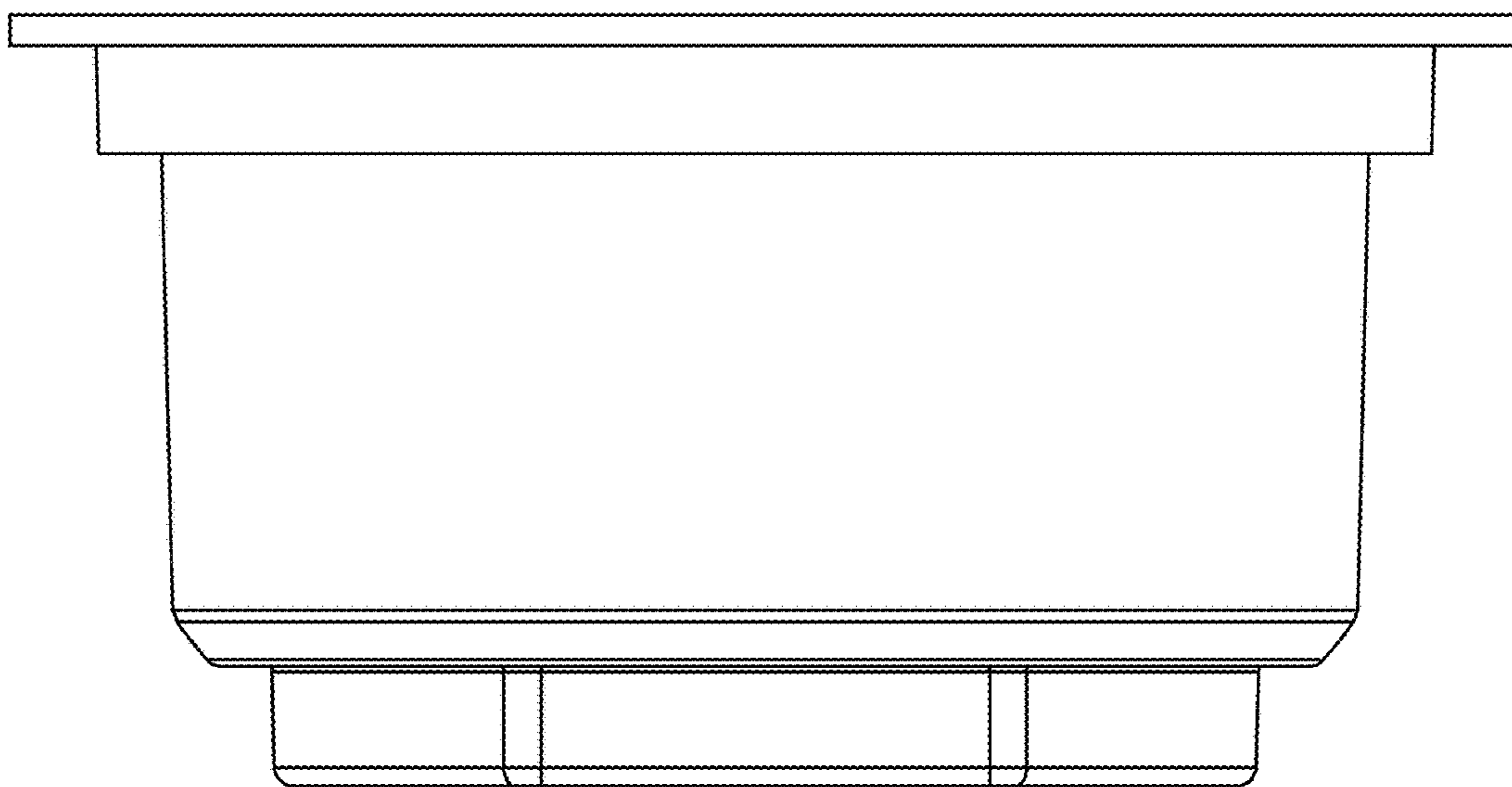


FIG. 4

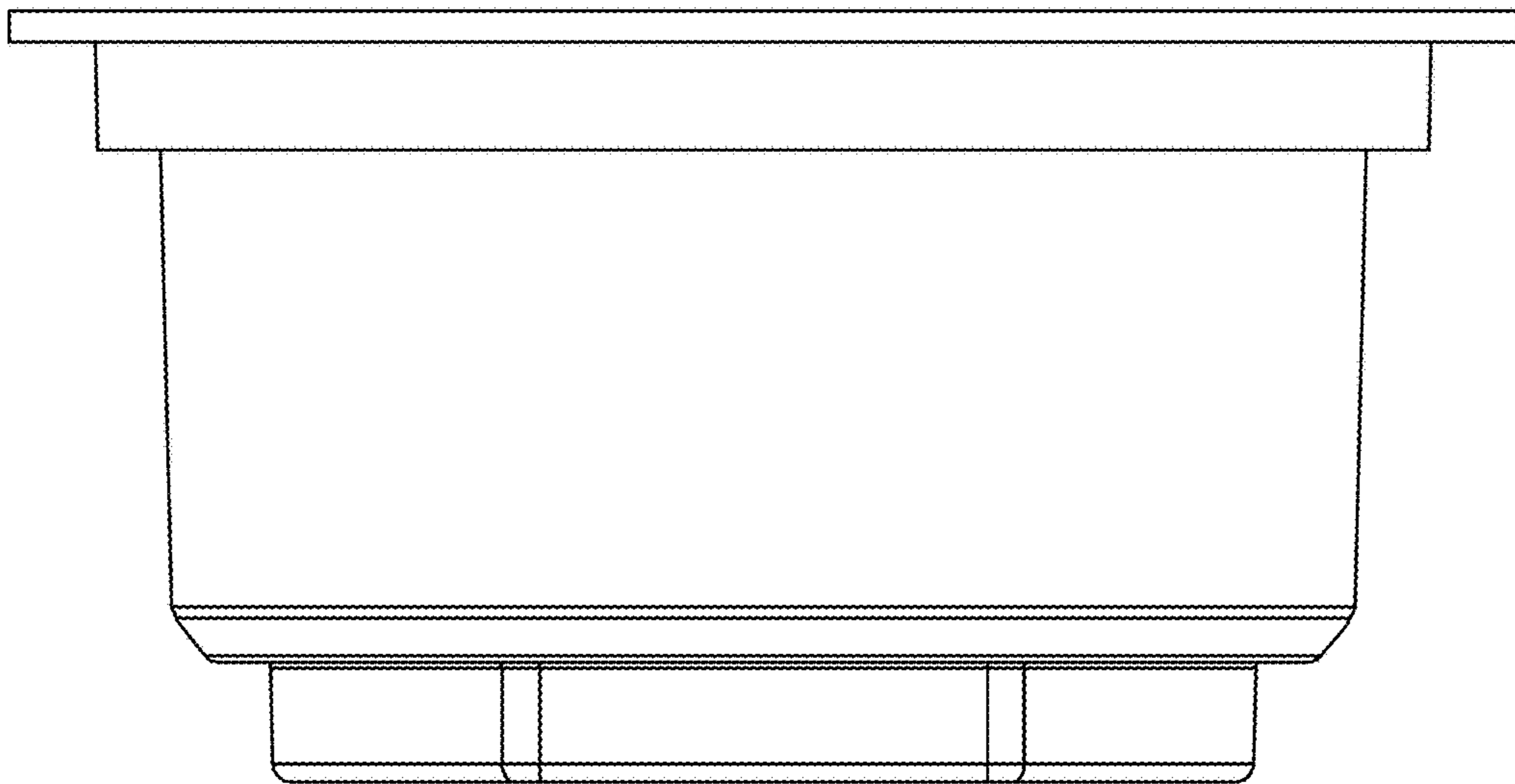


FIG. 5

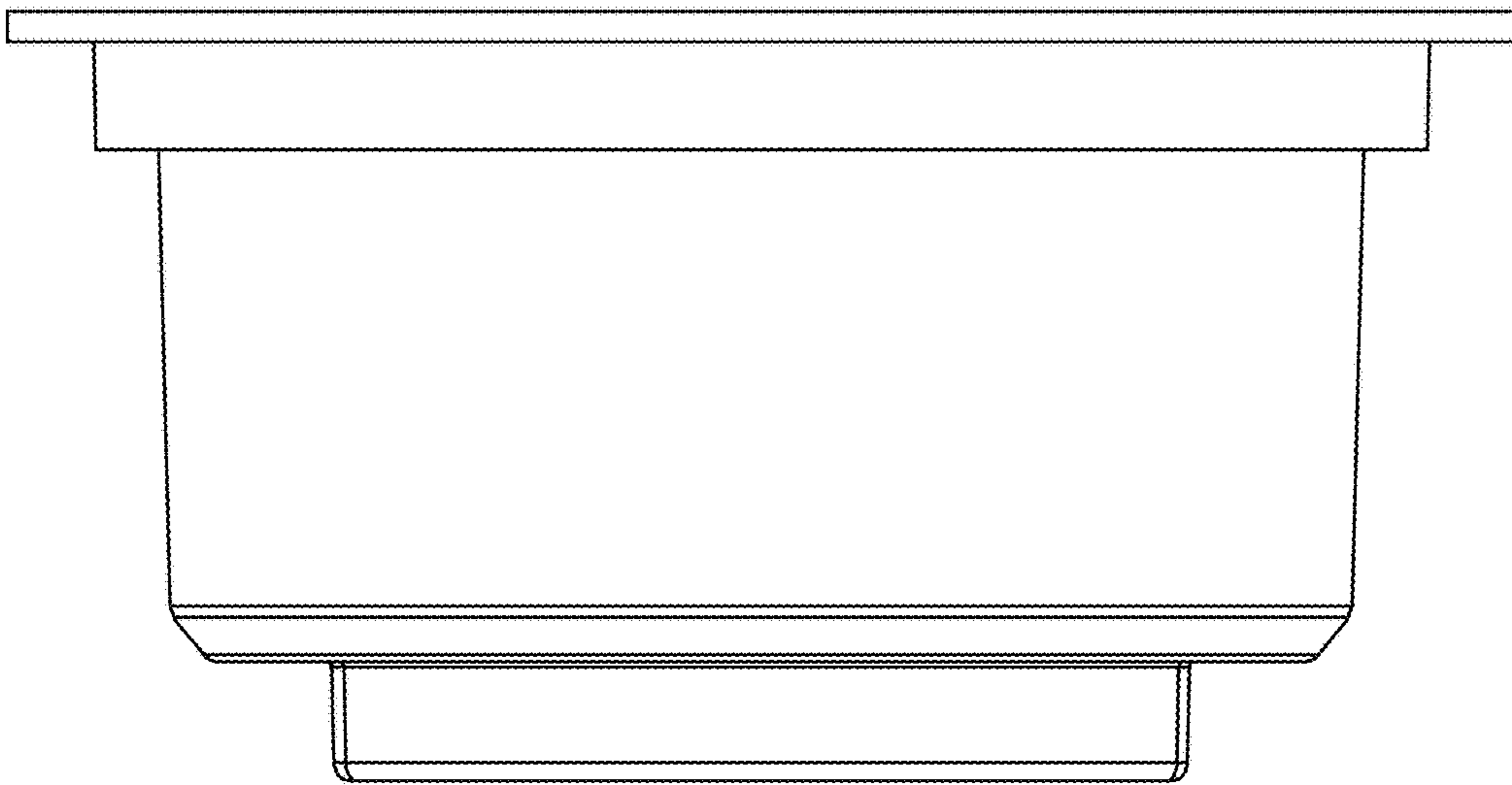


FIG. 6

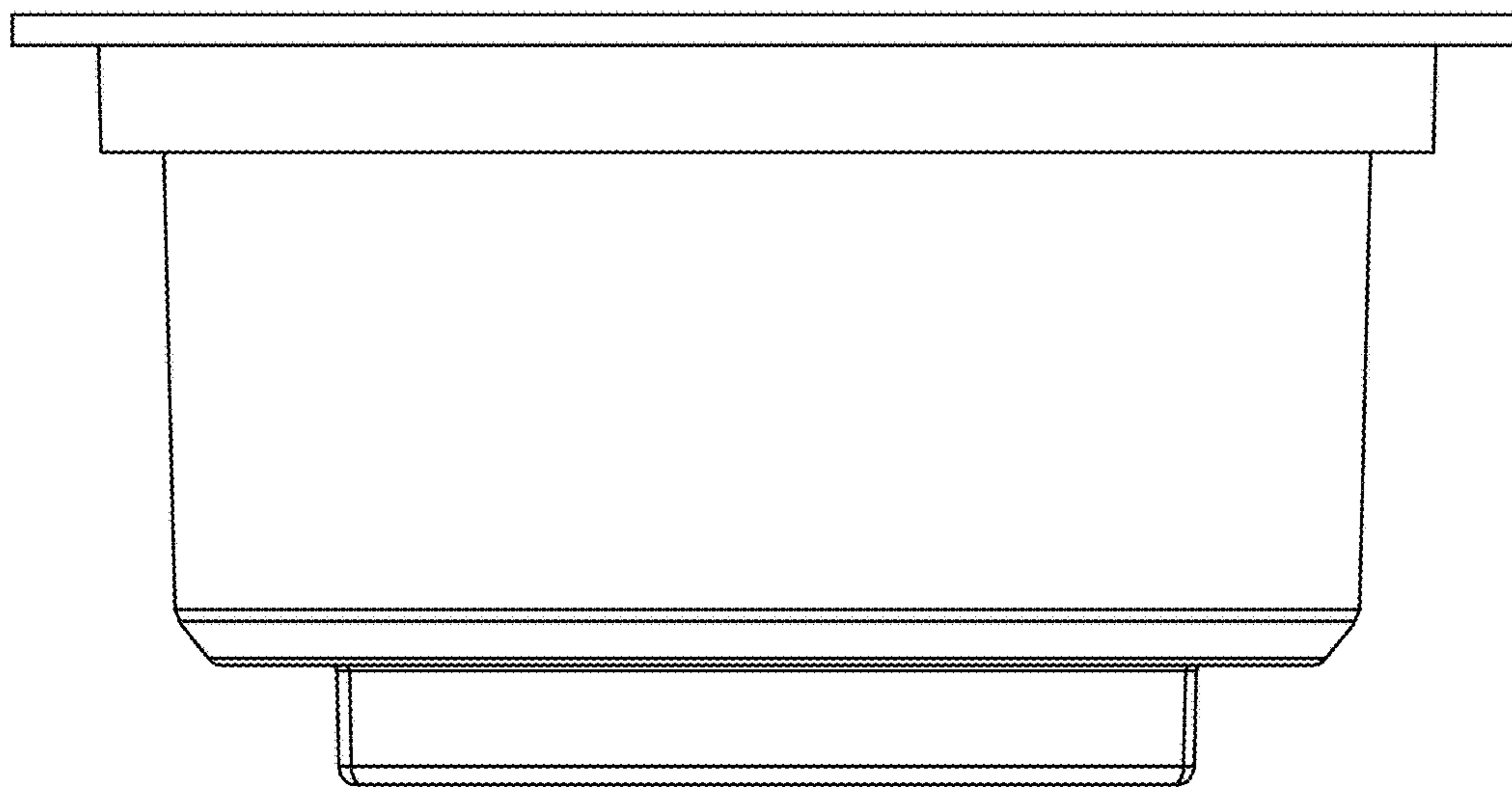


FIG. 7