



US00D788576S

(12) **United States Design Patent**
Scibetta

(10) **Patent No.:** **US D788,576 S**
(45) **Date of Patent:** **** Jun. 6, 2017**

(54) **CABLE IDENTIFICATION MARKER**

(57) **CLAIM**

(71) Applicant: **Warner Bros. Entertainment Inc.**,
Burbank, CA (US)

The ornamental design for a cable identification marker, as shown and described.

(72) Inventor: **Samuel Scibetta**, Los Angeles, CA
(US)

DESCRIPTION

(73) Assignee: **WARNER BROS. ENTERTAINMENT INC.**, Burbank, CA (US)

FIG. 1 is a top perspective view of a cable identification marker showing my new design;
FIG. 2 is a front view elevational view thereof;
FIG. 3 is a rear view elevational view thereof;
FIG. 4 is a right side elevational view thereof;
FIG. 5 is a left side elevational view thereof;
FIG. 6 is a top perspective view thereof;
FIG. 7 is a bottom perspective view thereof; and
FIG. 8 is an exploded view thereof.

(**) Term: **15 Years**

(21) Appl. No.: **29/534,735**

(22) Filed: **Jul. 30, 2015**

(51) **LOC (10) Cl.** **08-08**

(52) **U.S. Cl.**
USPC **D8/396**

(58) **Field of Classification Search**
USPC D8/396, 105, 107, 333, 344, 354-356,
D8/358, 360.1, 367, 373, 349; D13/133,
(Continued)

FIG. 9 is a top perspective view of a first half of a cable identification marker showing my new design;
FIG. 10 is a front view elevational view thereof;
FIG. 11 is a rear view elevational view thereof;
FIG. 12 is a right side elevational view thereof;
FIG. 13 is a left side elevational view thereof;
FIG. 14 is a top perspective view thereof; and
FIG. 15 is a bottom perspective view thereof.

(56) **References Cited**

U.S. PATENT DOCUMENTS

D241,804 S * 10/1976 Kawakami D8/333
5,481,888 A * 1/1996 Perry E05B 73/0005
403/312

(Continued)

FIG. 16 is a top right perspective view of a second half of a cable identification marker showing my new design;
FIG. 17 is a top left perspective view thereof;
FIG. 18 is a front view elevational view thereof;
FIG. 19 is a rear view elevational view thereof;
FIG. 20 is a right side elevational view thereof;
FIG. 21 is a left side elevational view thereof;
FIG. 22 is a top perspective view thereof; and
FIG. 23 is a bottom perspective view thereof.

OTHER PUBLICATIONS

Set of 4 Photographs taken Apr. 7, 2016 of a "Warner clamp" believed to have been known to the inventor of U.S. Appl. No. 29/534,735 prior Jul. 30, 2015.

Primary Examiner — Susan E Krakower
Assistant Examiner — Michael Maharajh

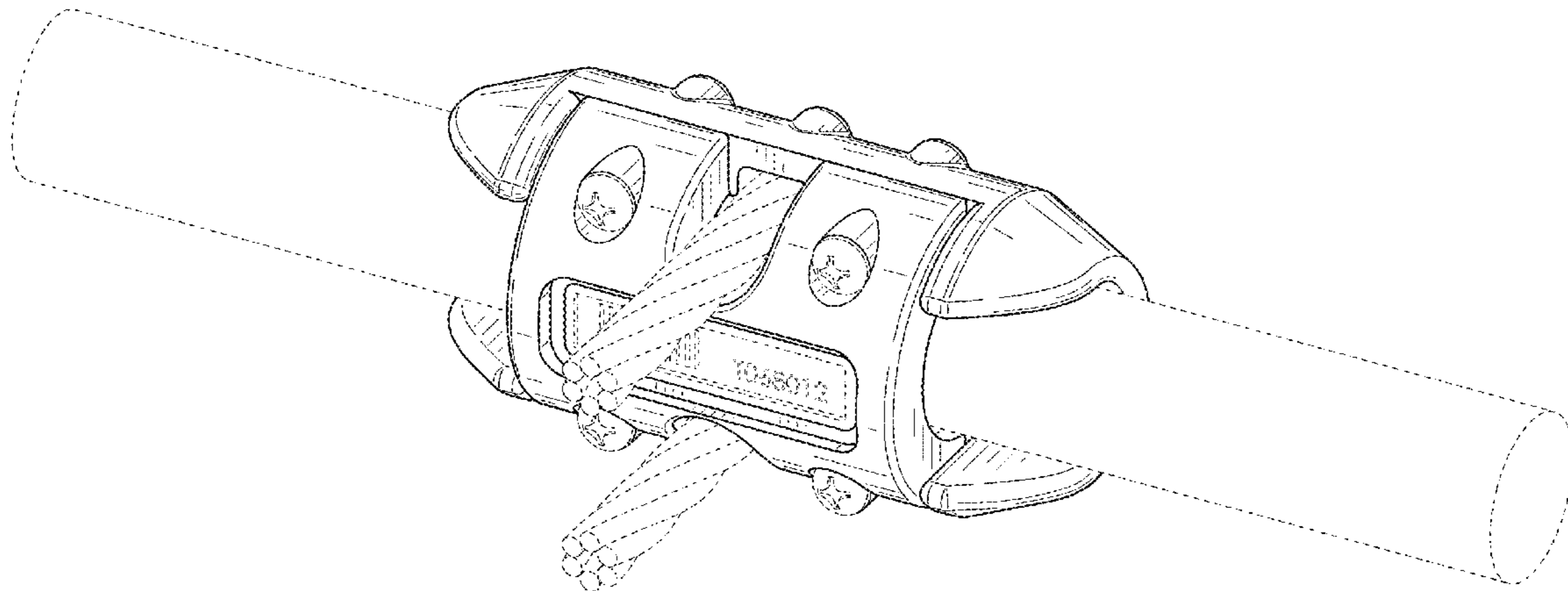
(74) *Attorney, Agent, or Firm* — Jonathan Jaech; Snell & Wilmer L.L.P.

FIG. 24 is a top right perspective view of a second half of a cable identification marker showing my new design, illustrating a size variation of certain elements shown in broken line; and,

FIG. 25 is a top left perspective view thereof.

The broken lines showing in the figure drawings are included for the purpose of illustration and form no part of the claimed design.

1 Claim, 12 Drawing Sheets



(58) **Field of Classification Search**

USPC D13/153, 155; 24/18, 115 R, 129 C, 130,
24/131 R, 197, 561; 174/72 A, 100, 135,
174/650, 656; 248/65, 74.1-74.4, 201,
248/214, 215, 229.26; D14/432, 471,
D14/483, 21; 70/14, 18, 57, 58, 63;
403/309, 310, 312, 315, 316
CPC .. A61M 2209/082; Y10T 403/69; G09F 3/20;
G09F 3/0295; H01B 7/368; H01B
13/344; H01B 13/34; H01B 7/365

See application file for complete search history.

(56) **References Cited**

U.S. PATENT DOCUMENTS

5,720,569 A * 2/1998 Jonischkeit F16M 11/046
403/109.1
6,431,502 B1 * 8/2002 Goodman E21B 17/1035
248/229.14
6,881,901 B2 * 4/2005 Egan H02G 15/013
16/2.1
D620,346 S * 7/2010 Gretz D8/396
D620,786 S * 8/2010 Gretz D8/396
2008/0000671 A1 * 1/2008 Bratt H02G 3/32
174/135
2014/0346291 A1 * 11/2014 Booth H02G 7/053
248/74.4

* cited by examiner

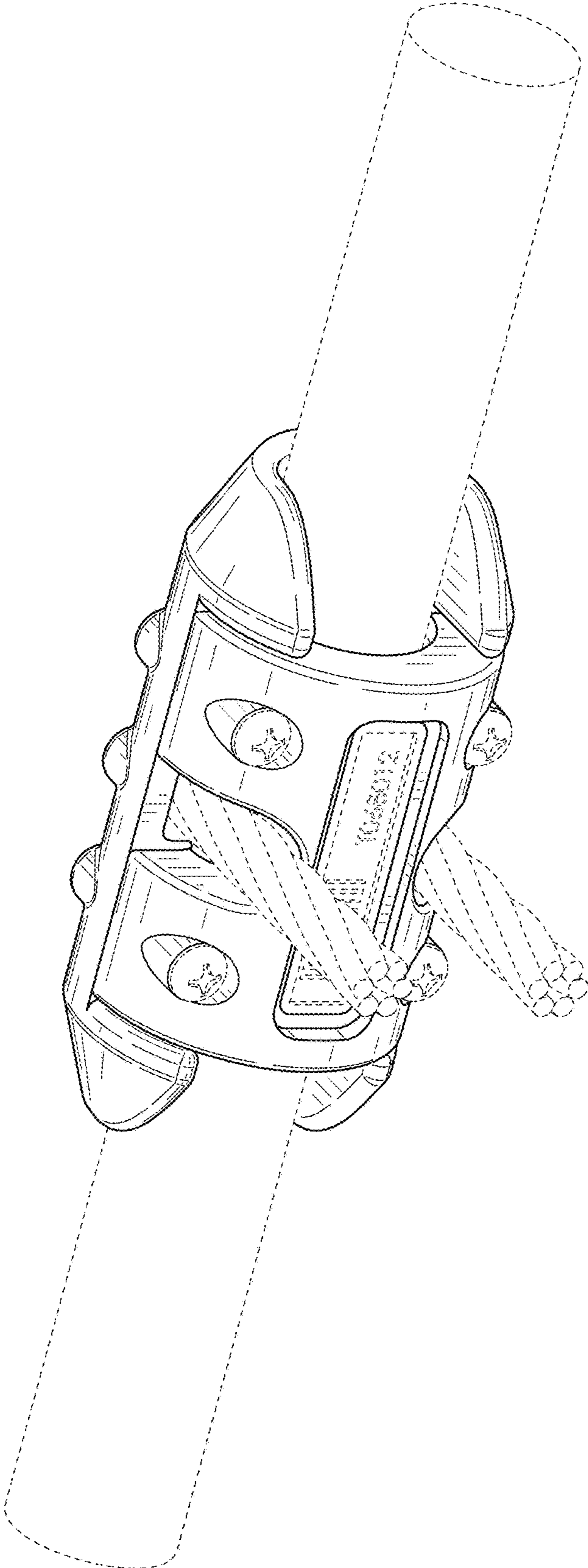


FIG. 1

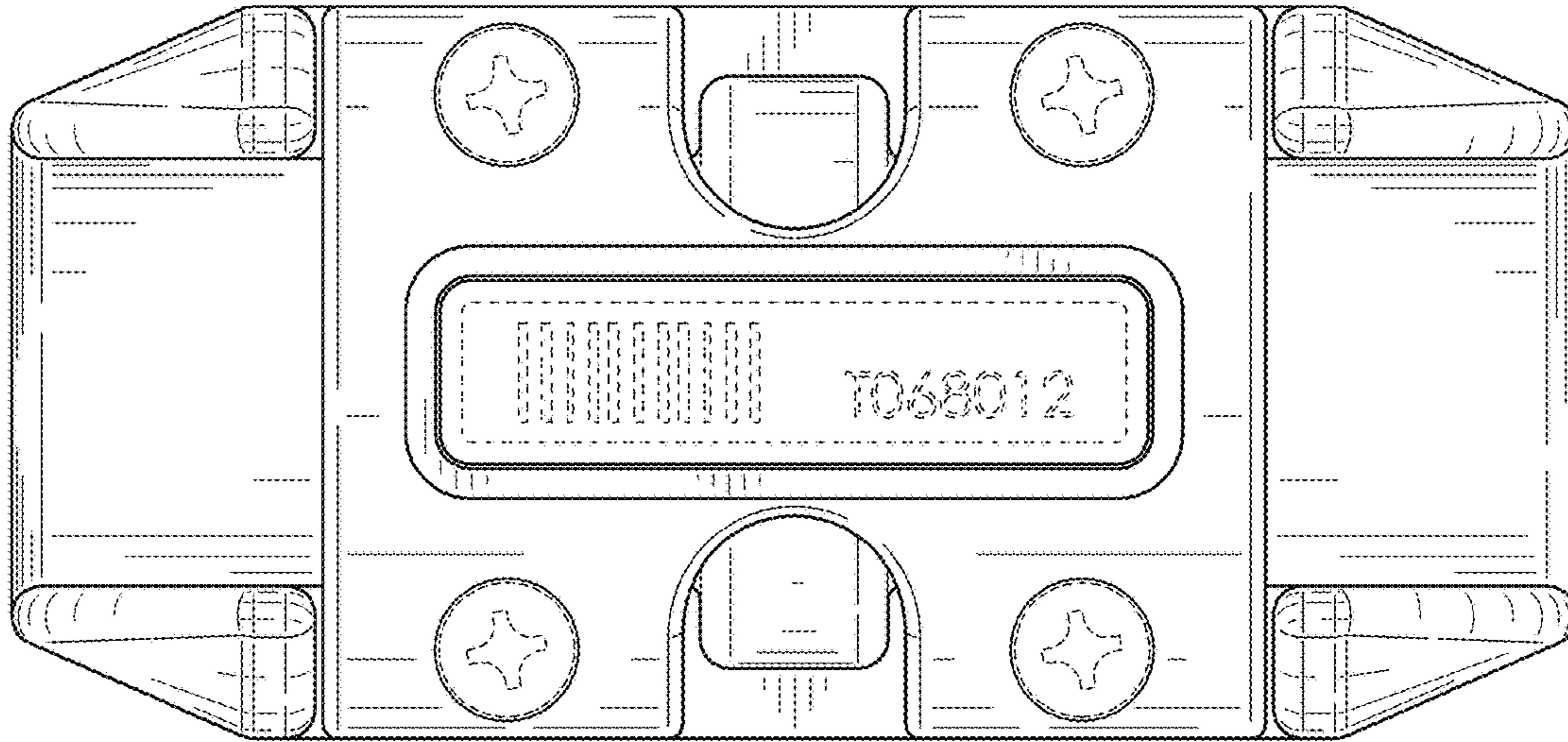


FIG. 2

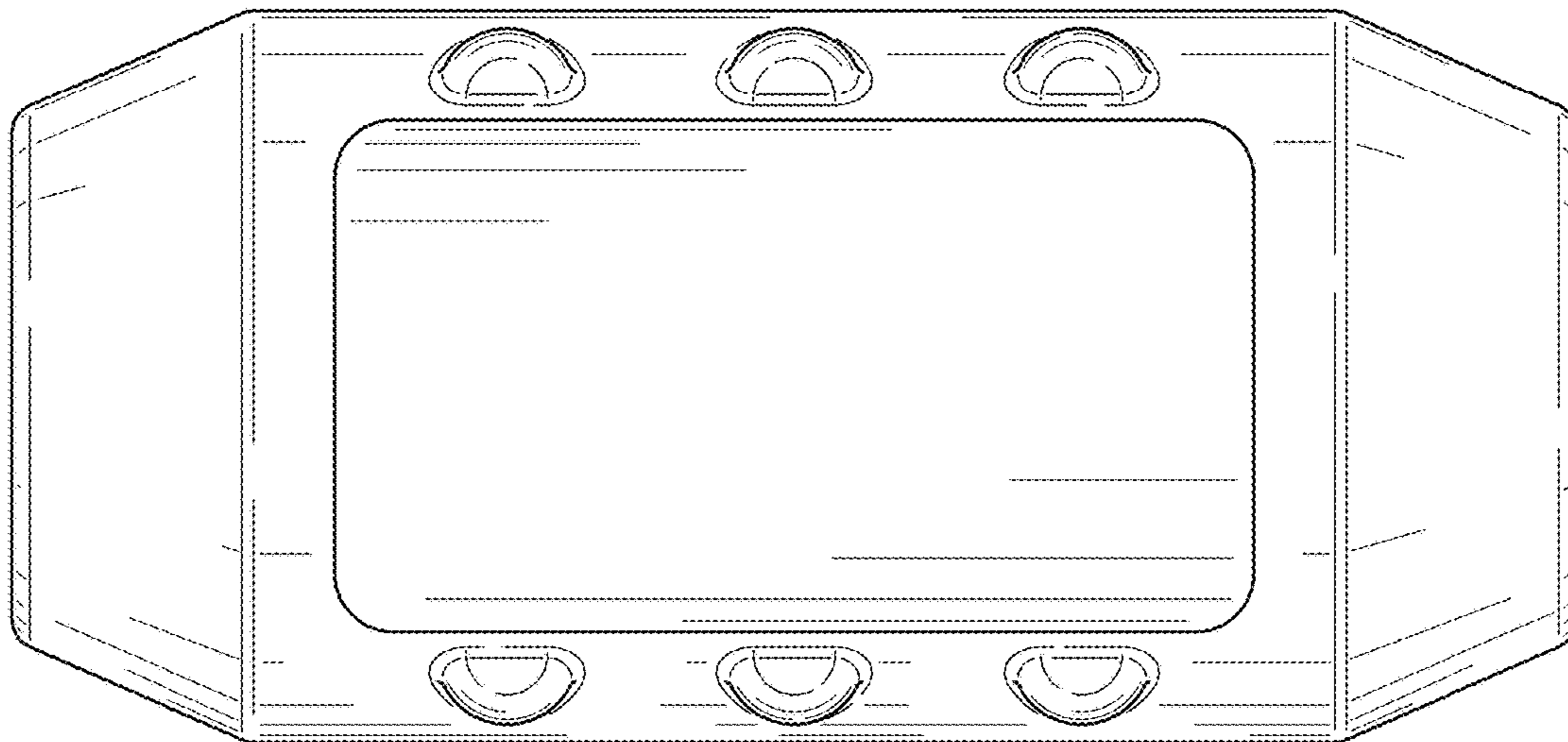


FIG. 3

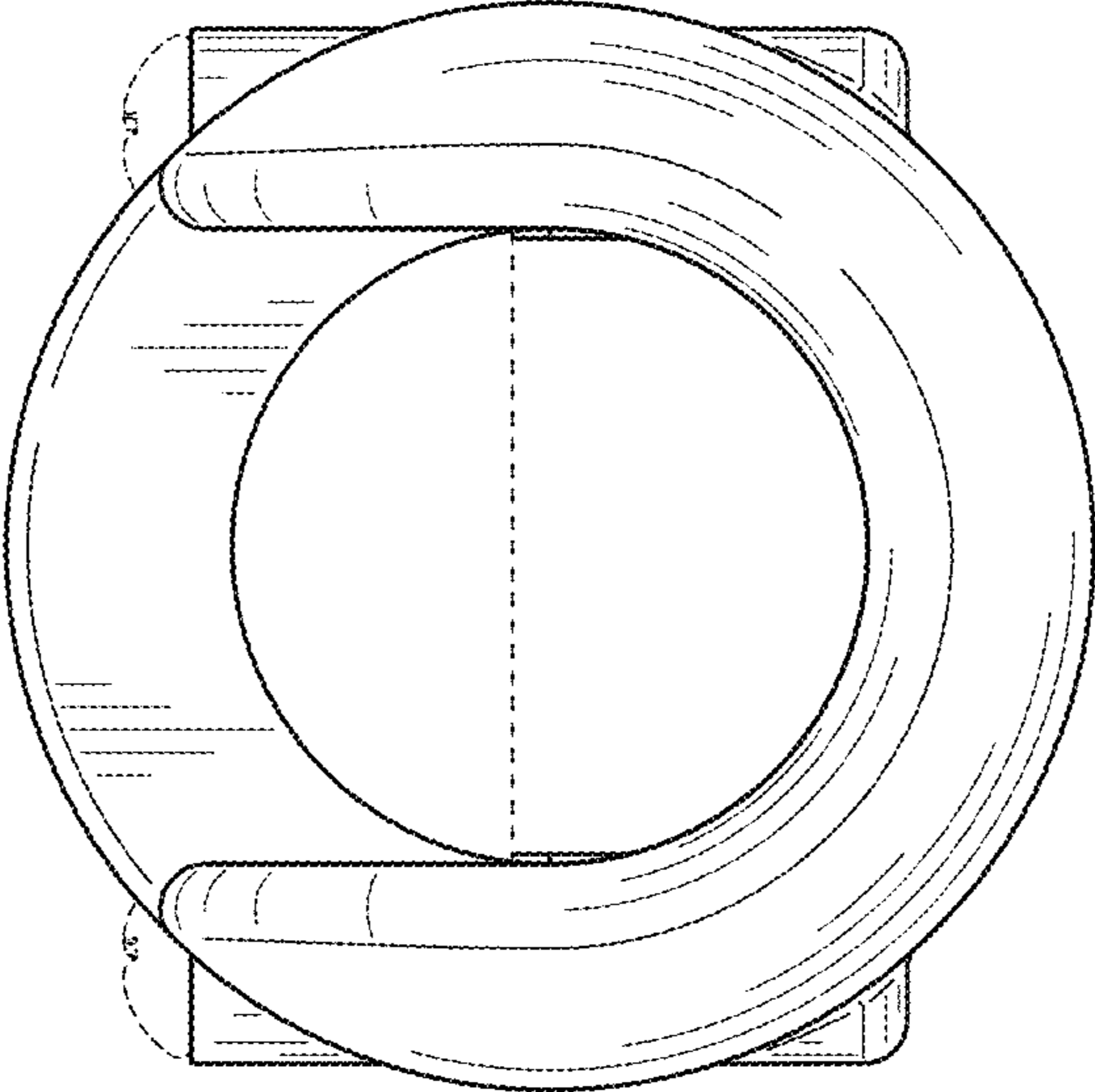


FIG. 4

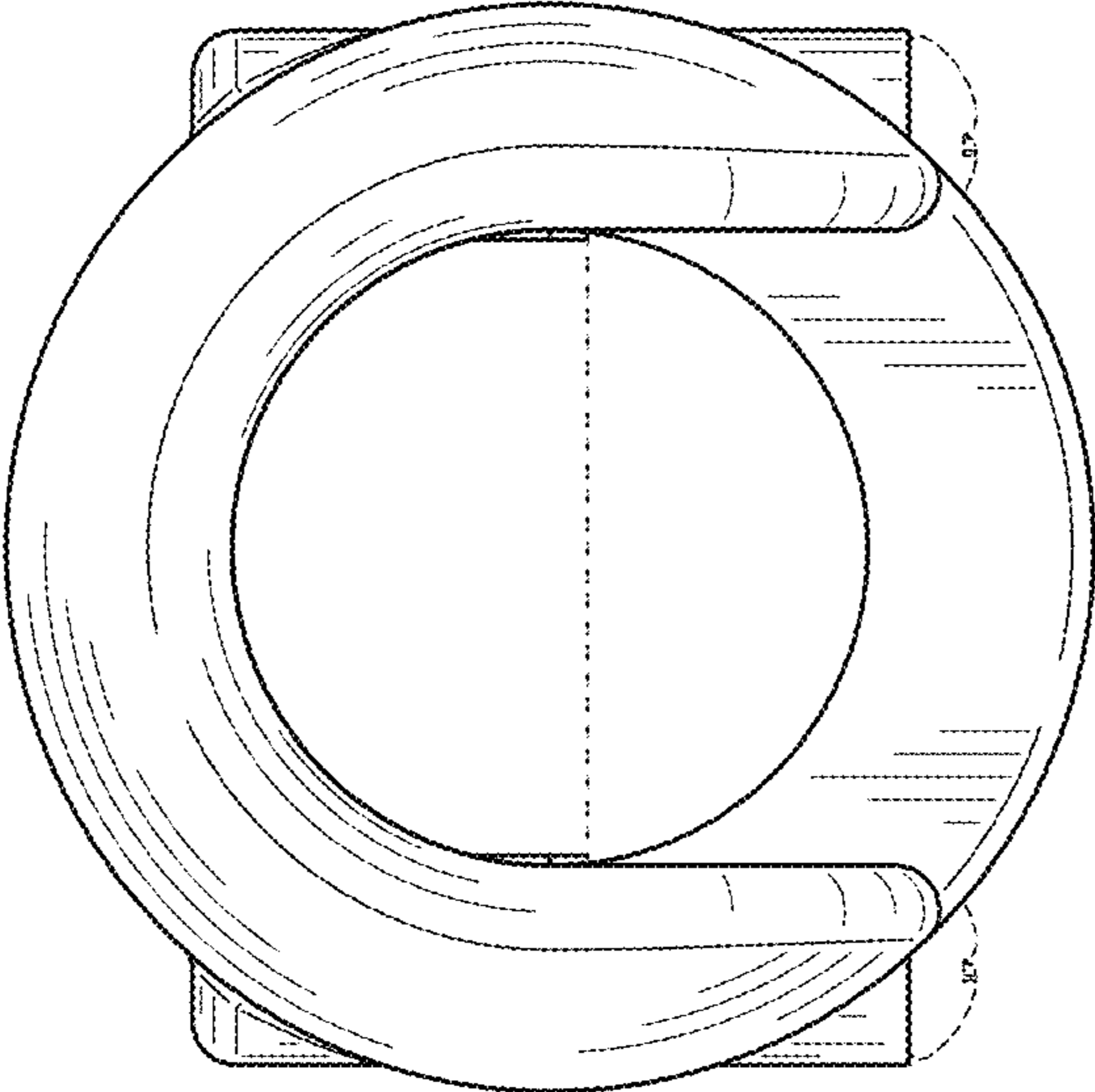


FIG. 5

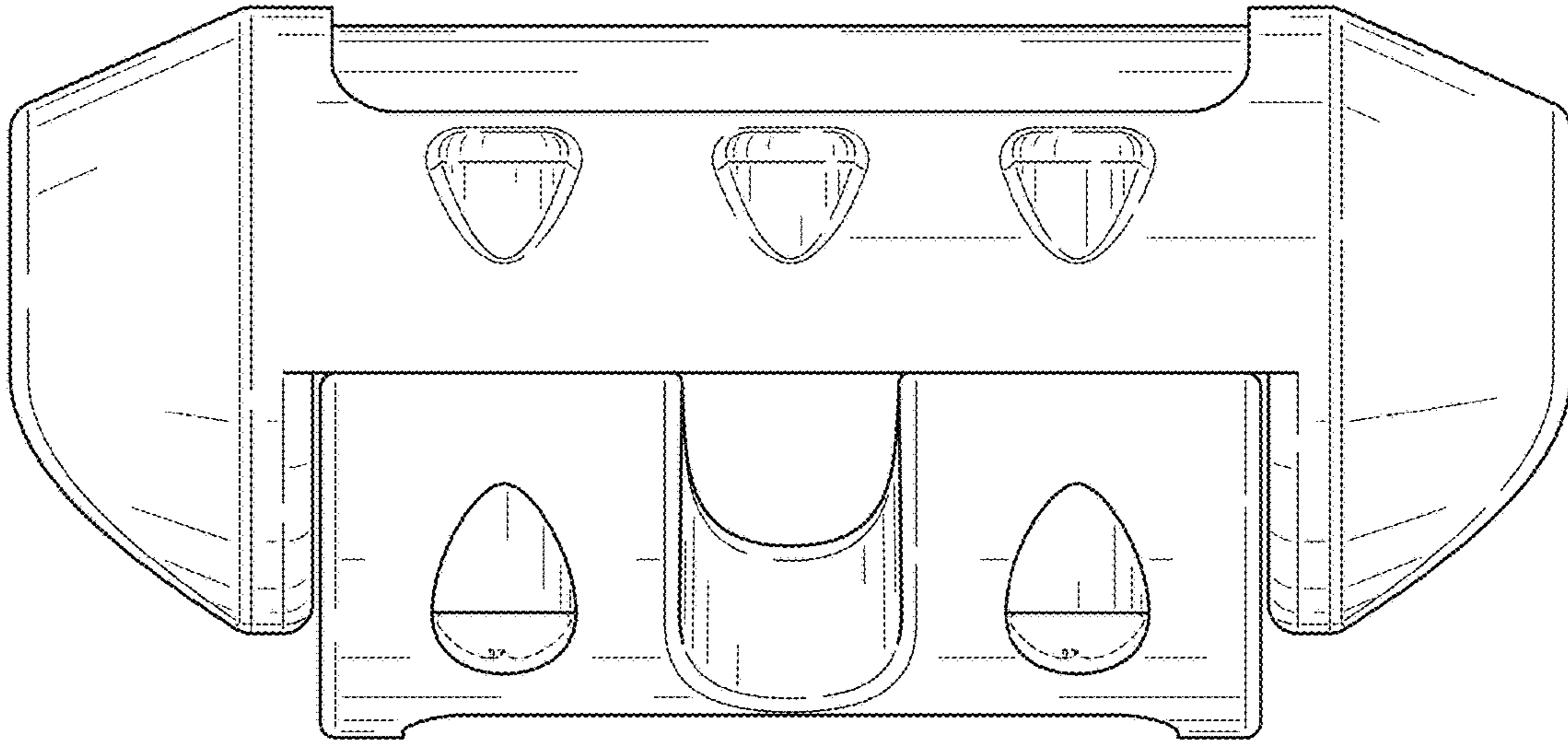


FIG. 6

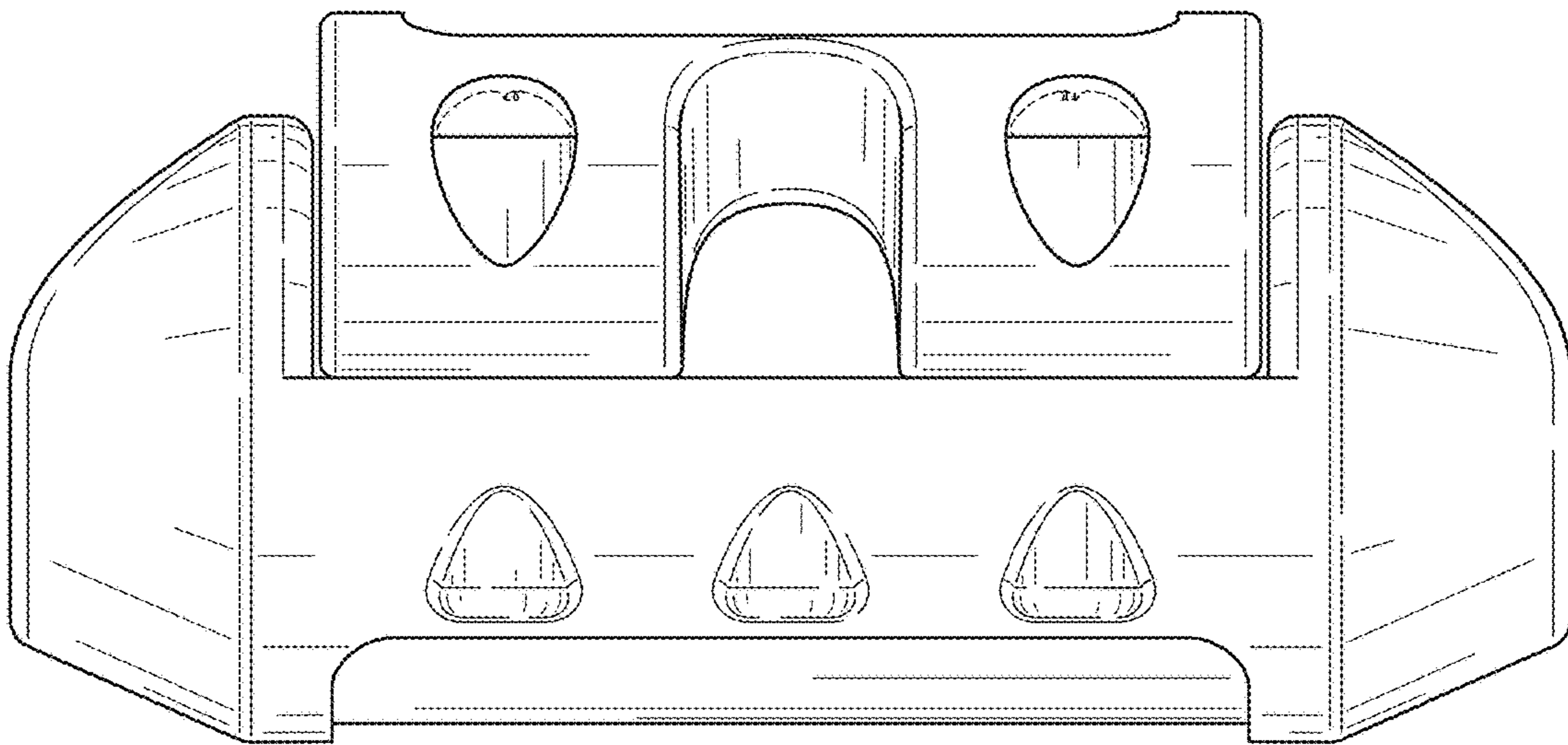


FIG. 7

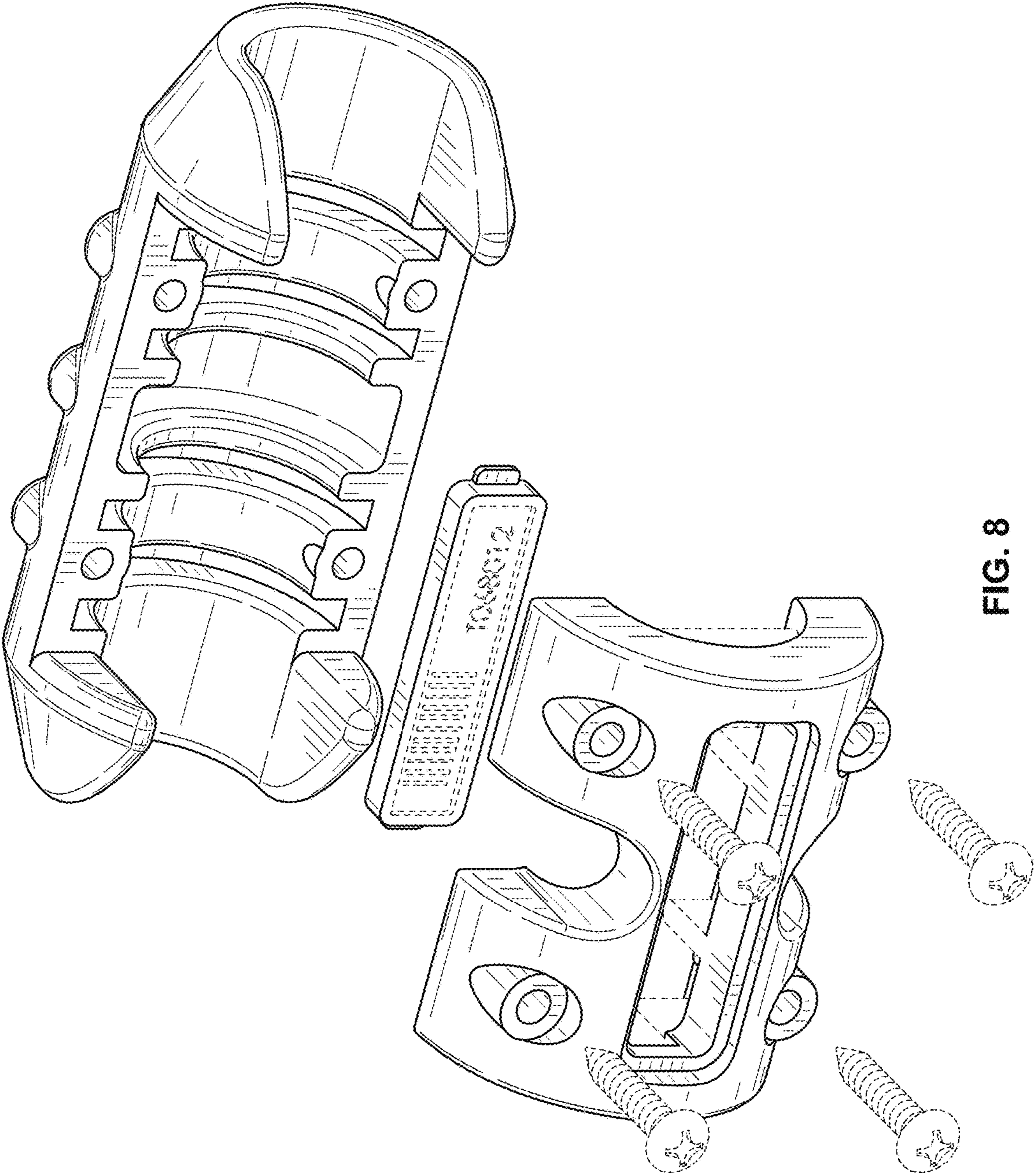


FIG. 8

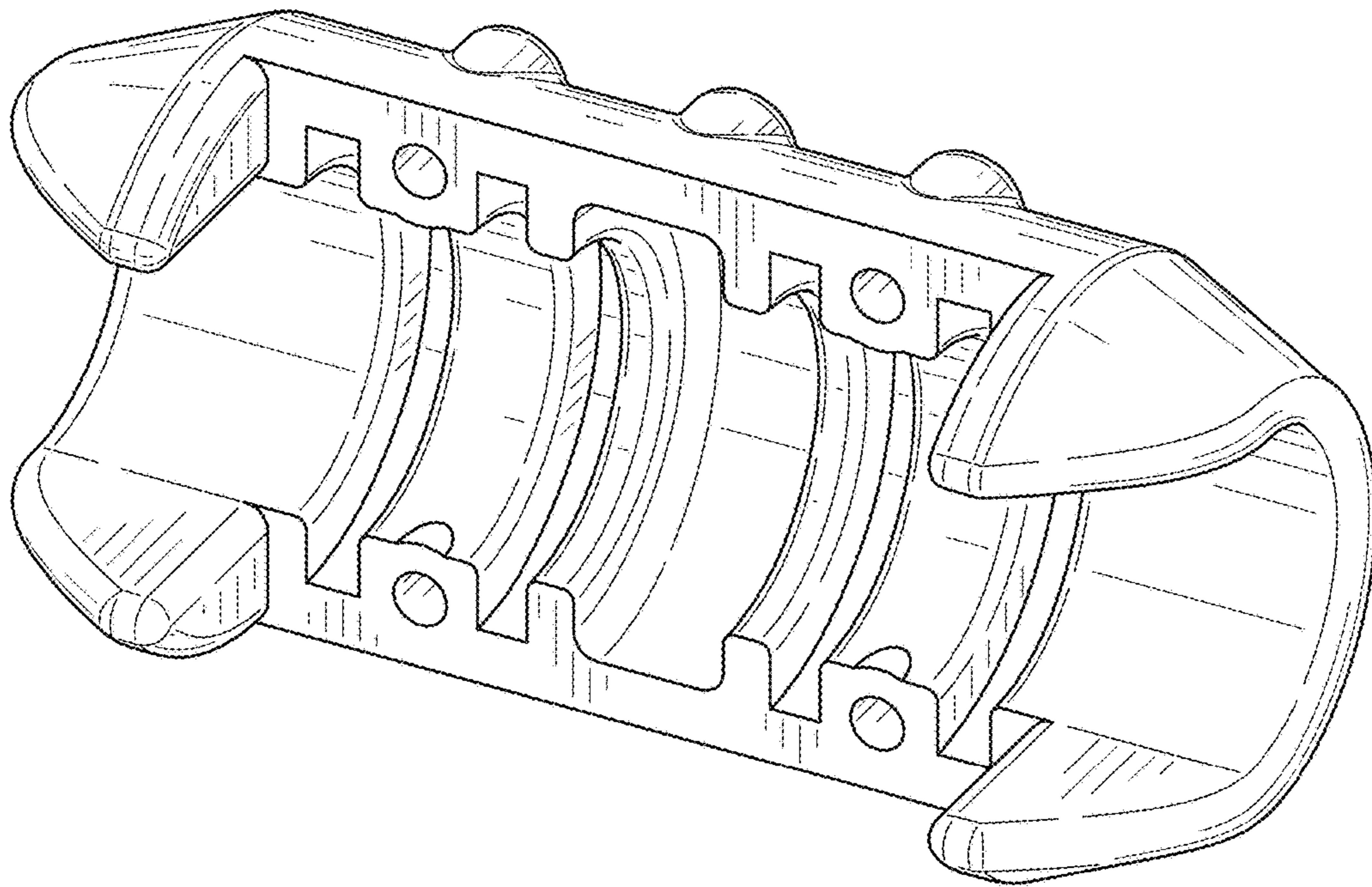


FIG. 9

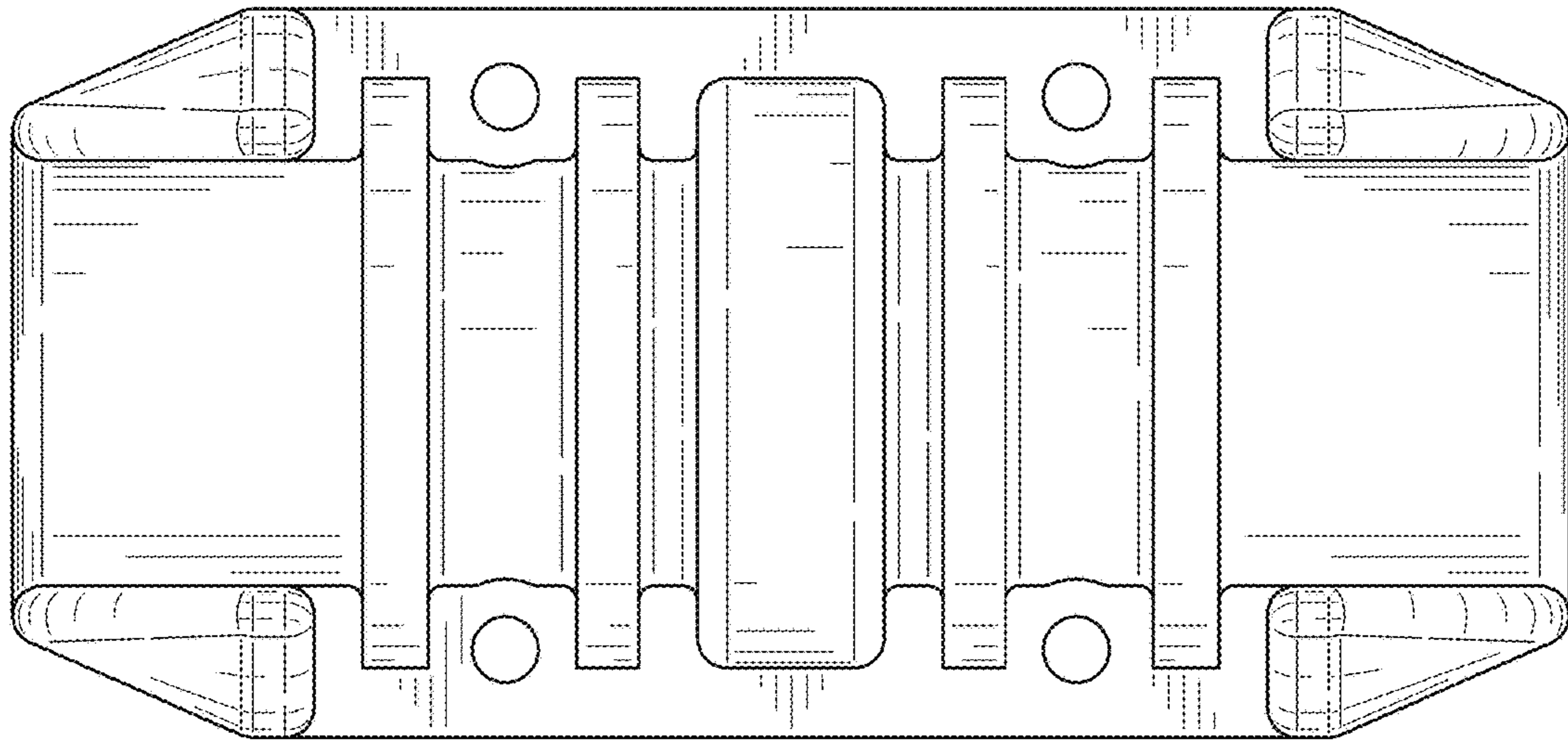


FIG. 10

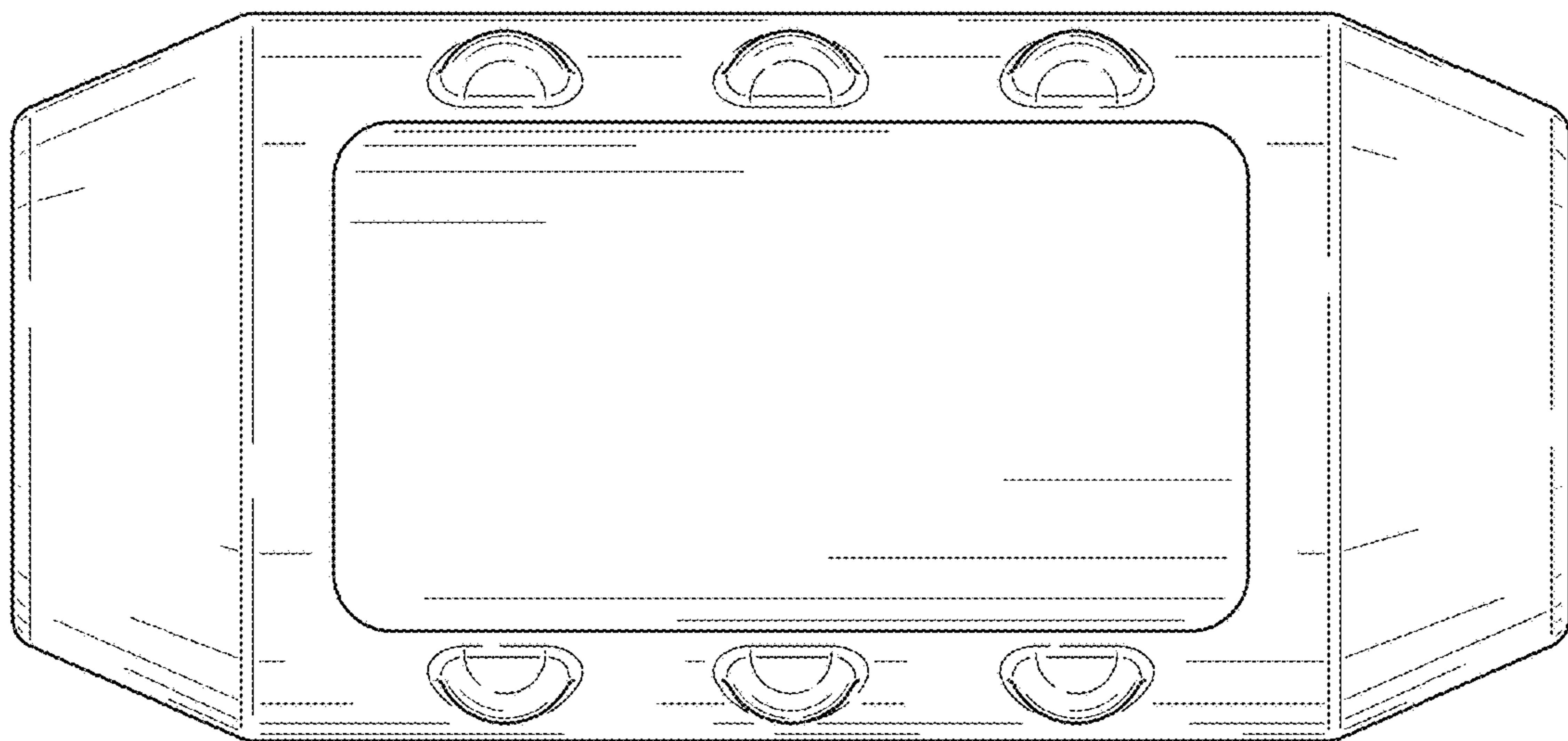


FIG. 11

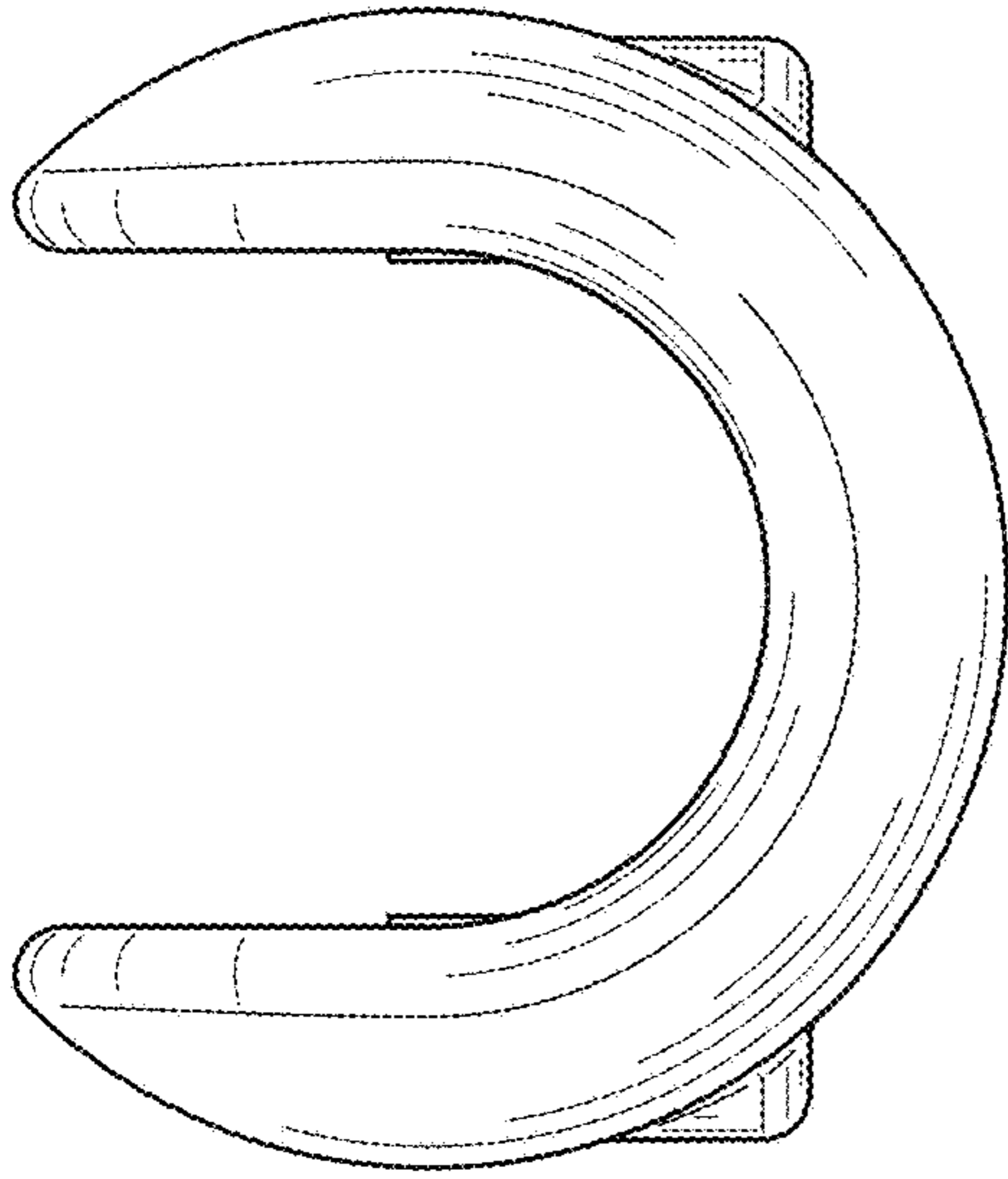


FIG. 12

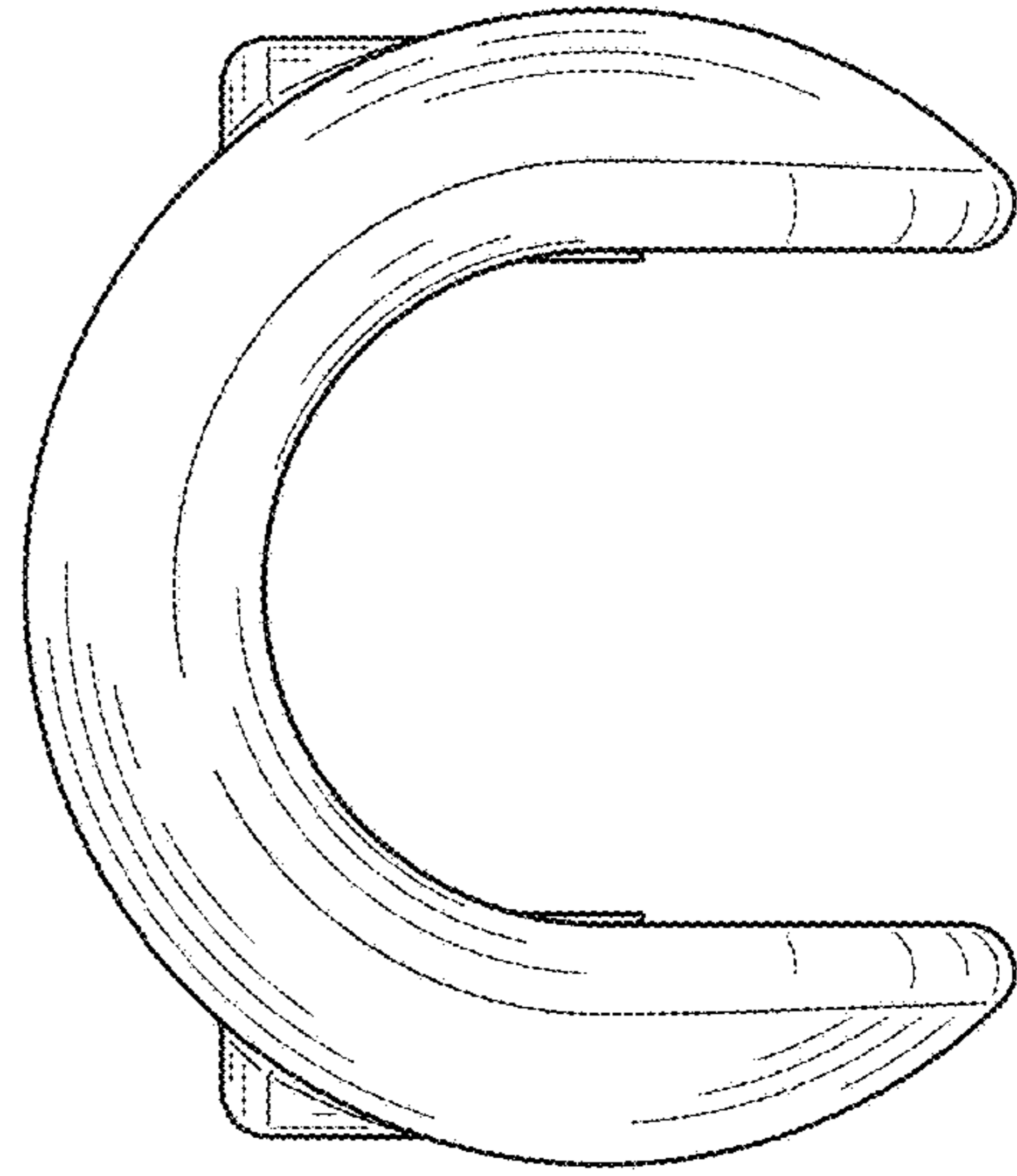


FIG. 13

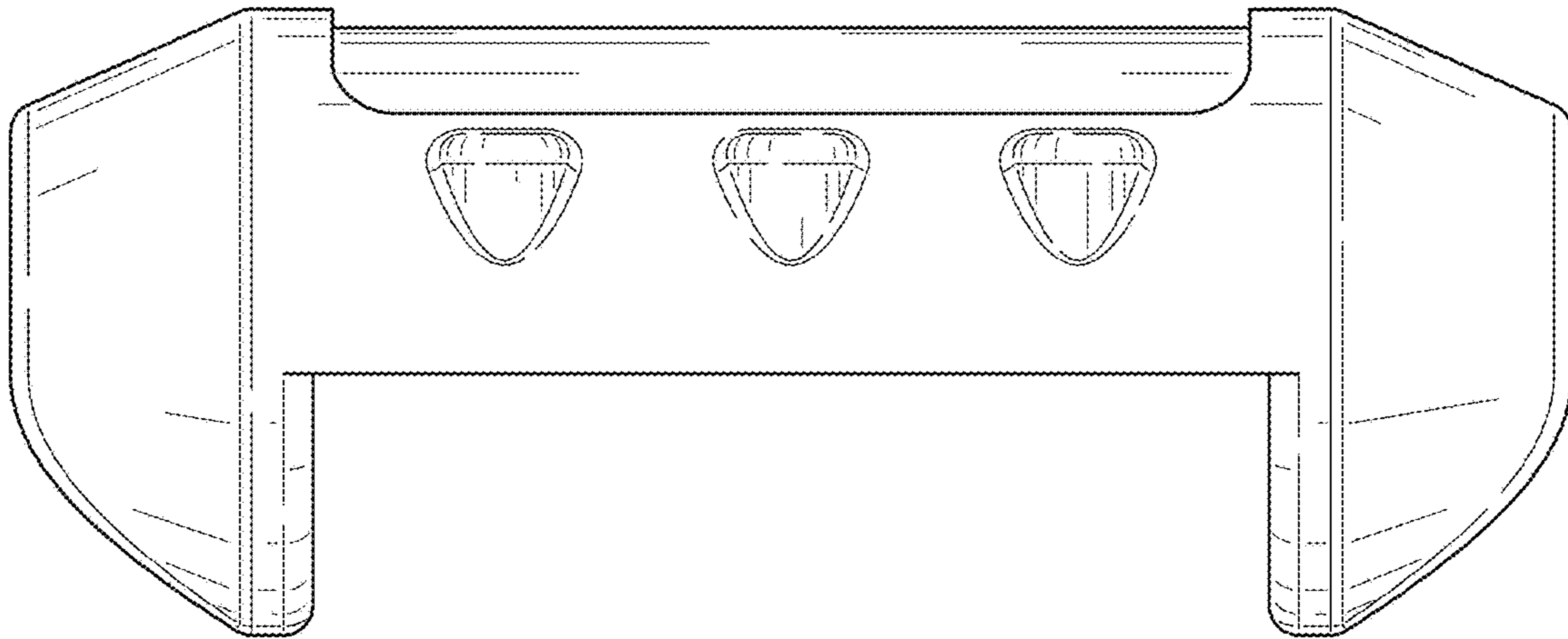


FIG. 14

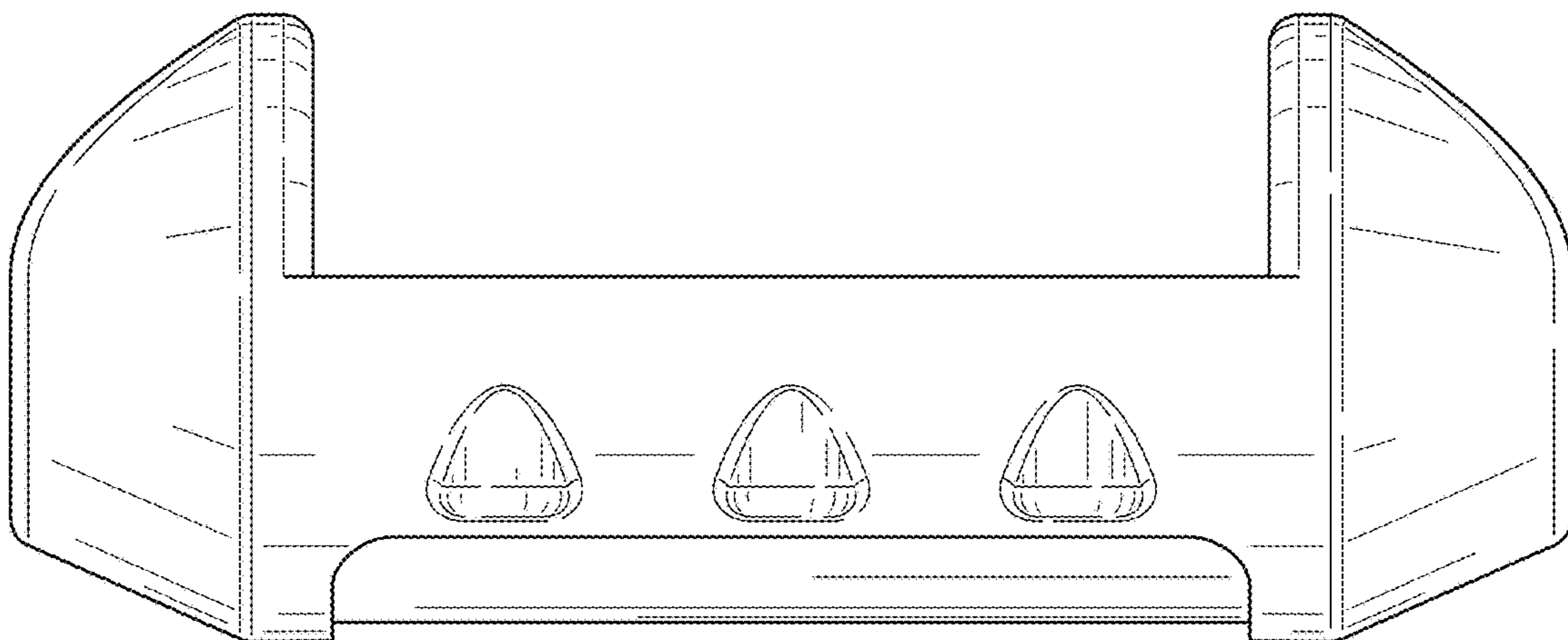


FIG. 15

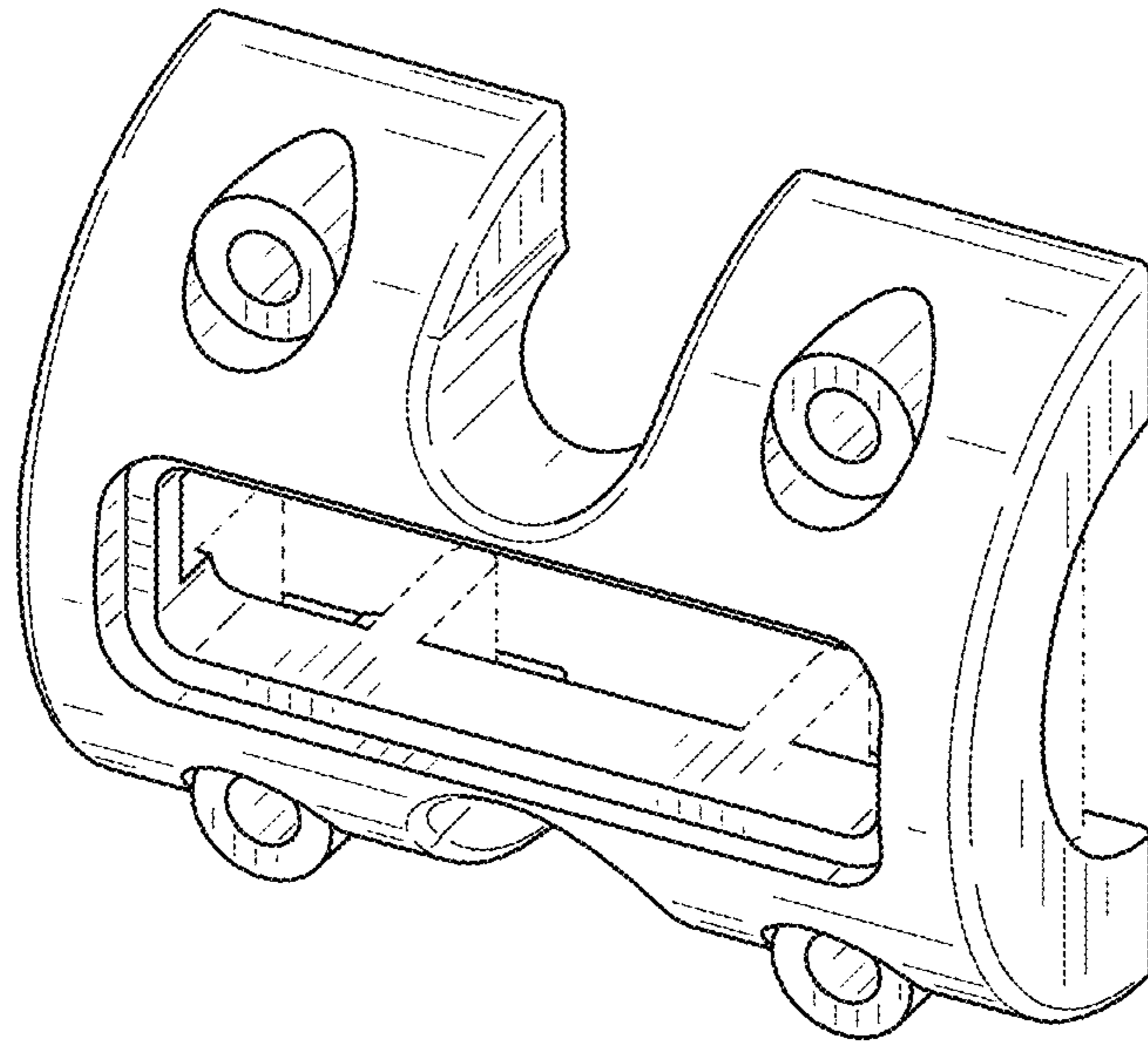


FIG. 16

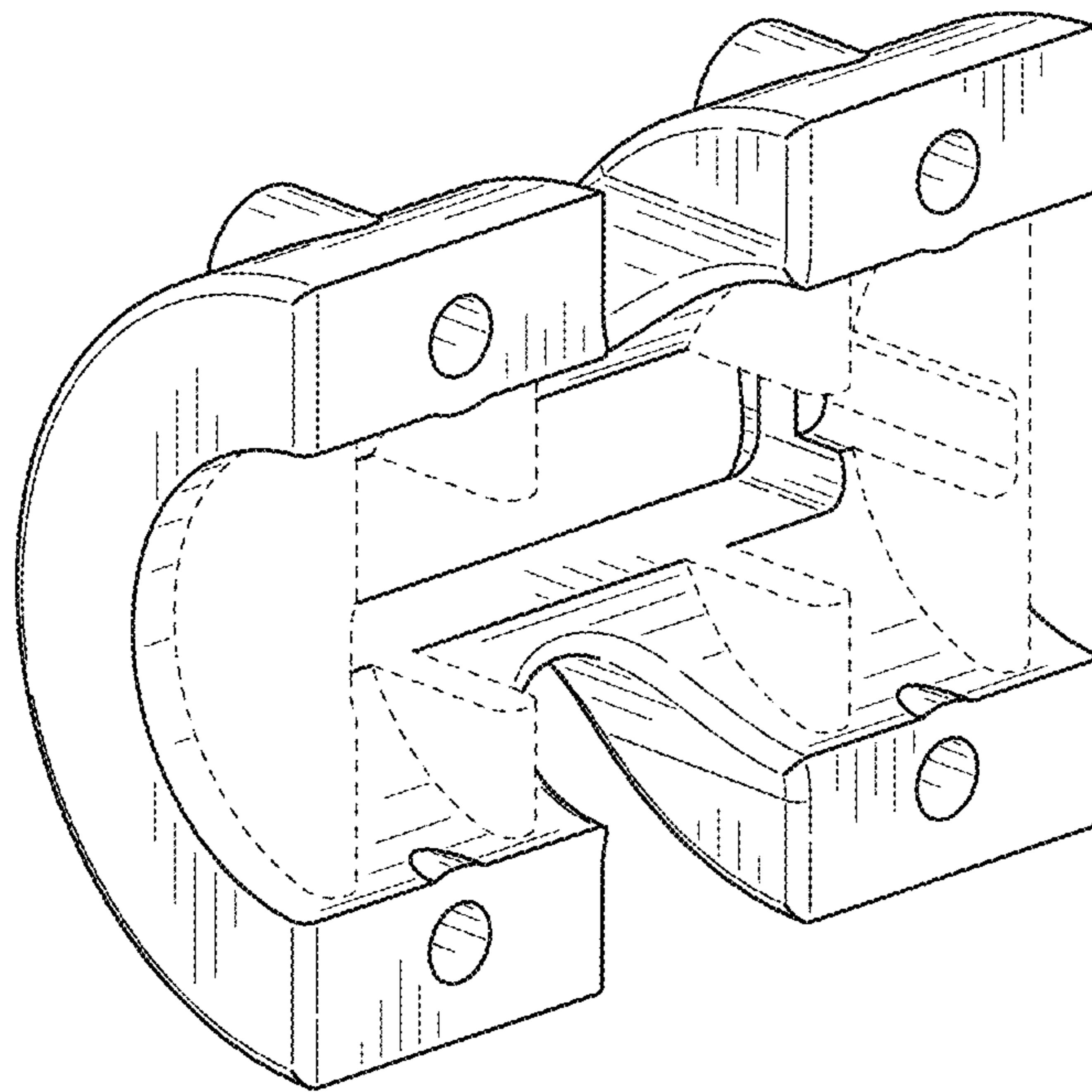


FIG. 17

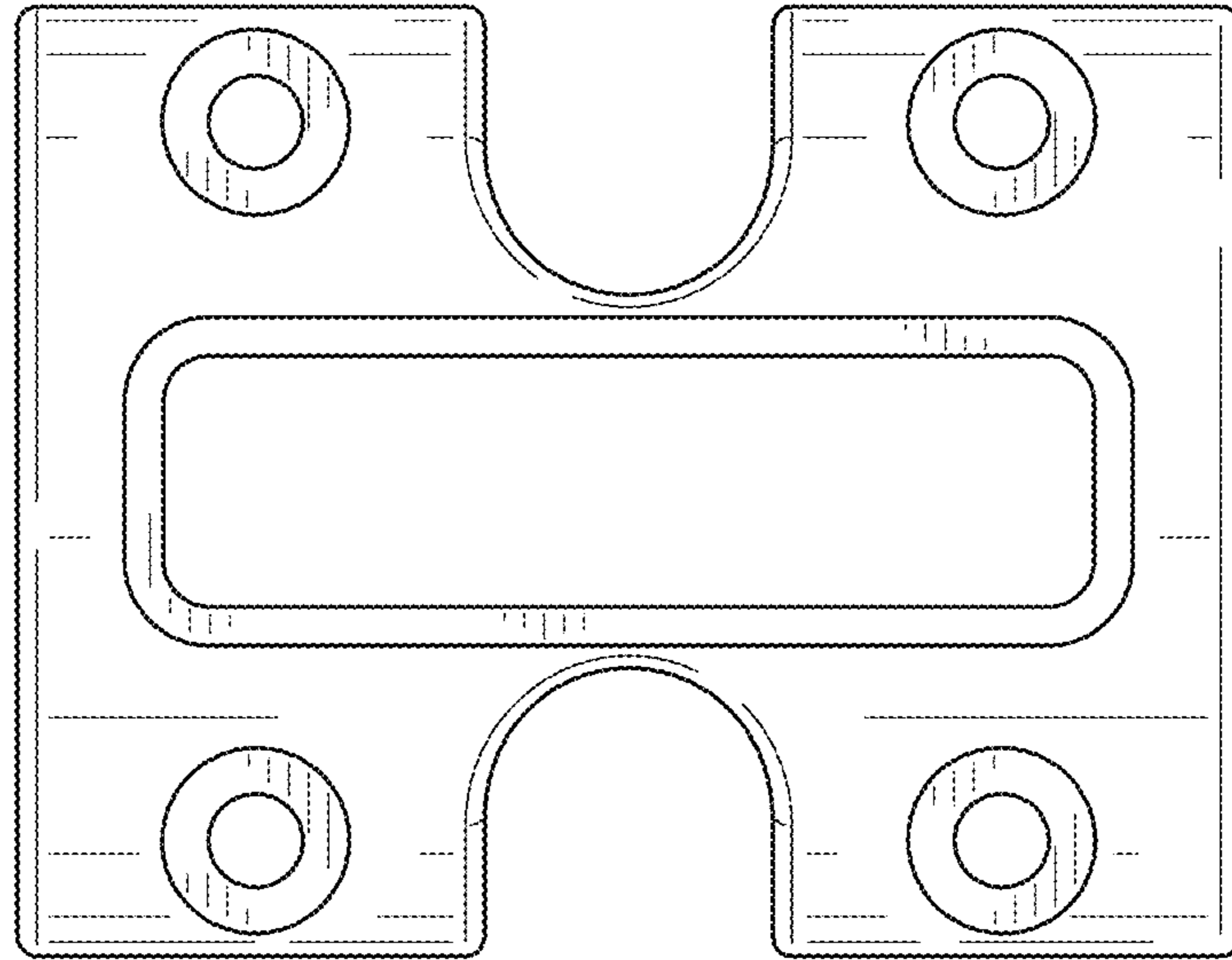


FIG. 18

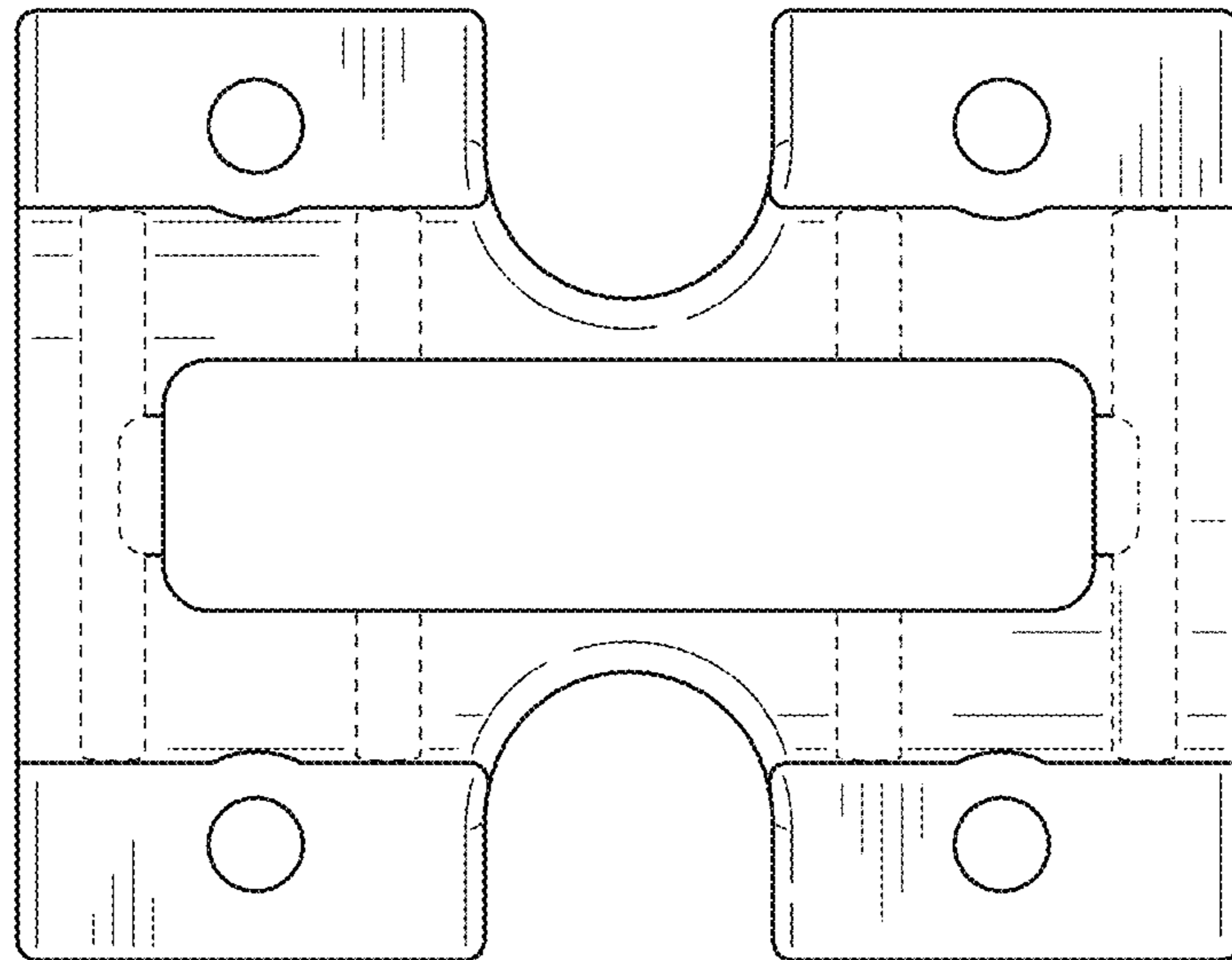


FIG. 19

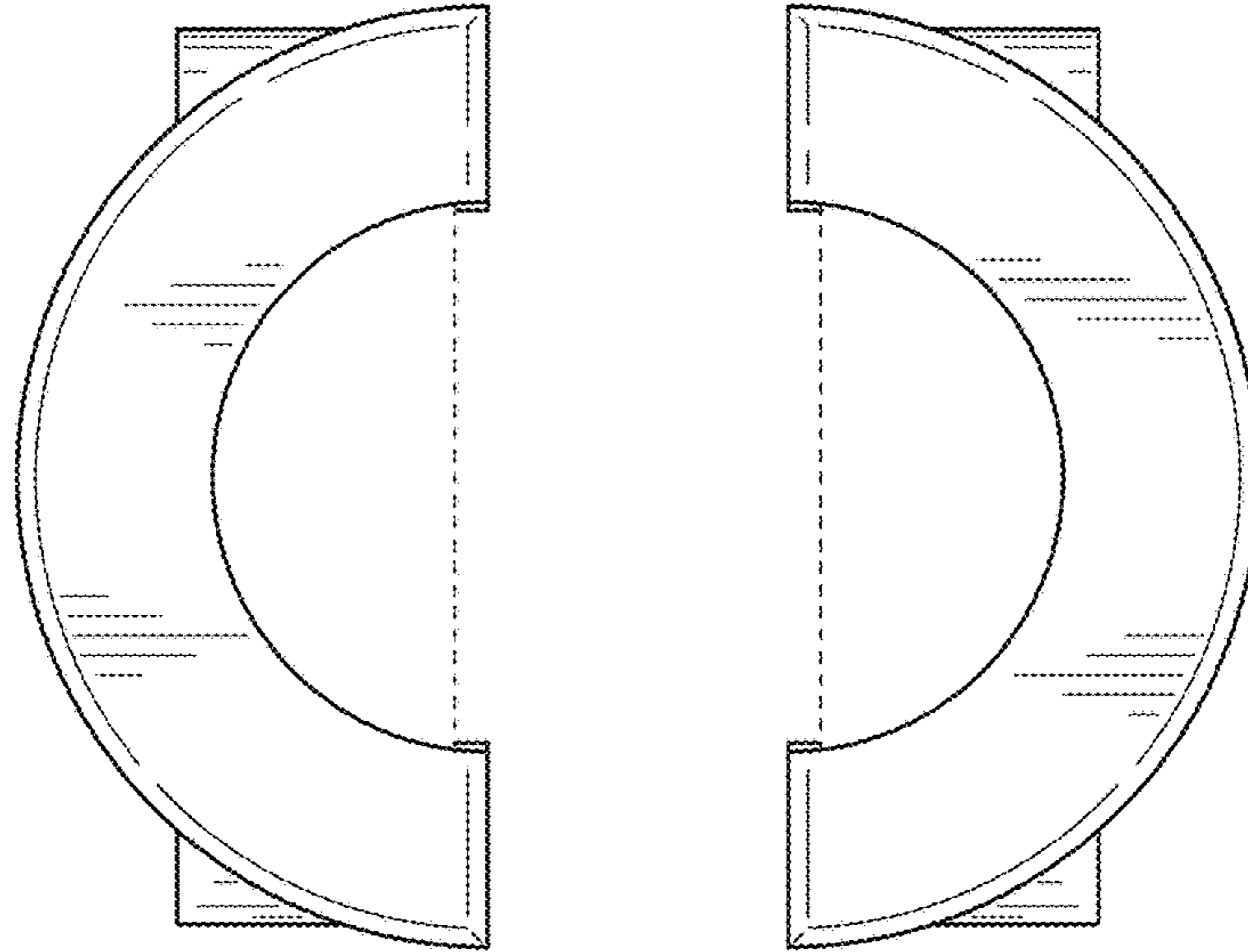


FIG. 20

FIG. 21

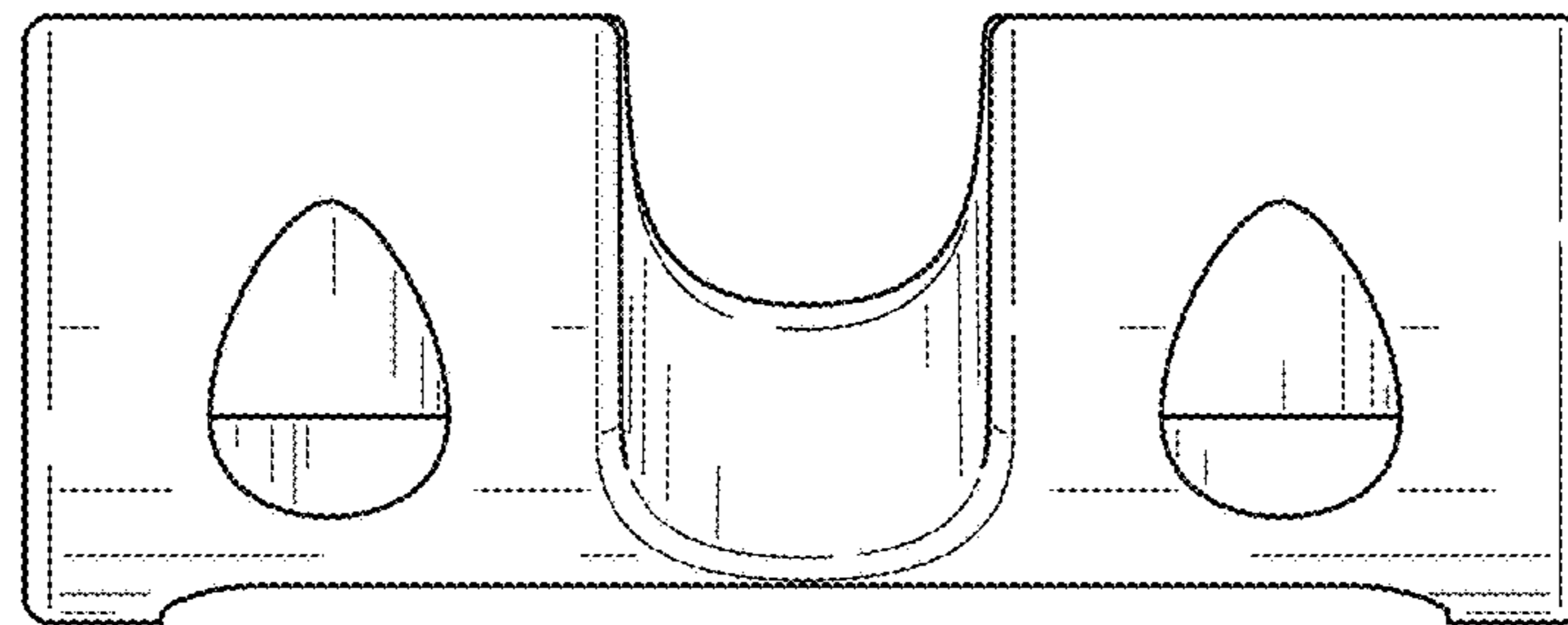


FIG. 22

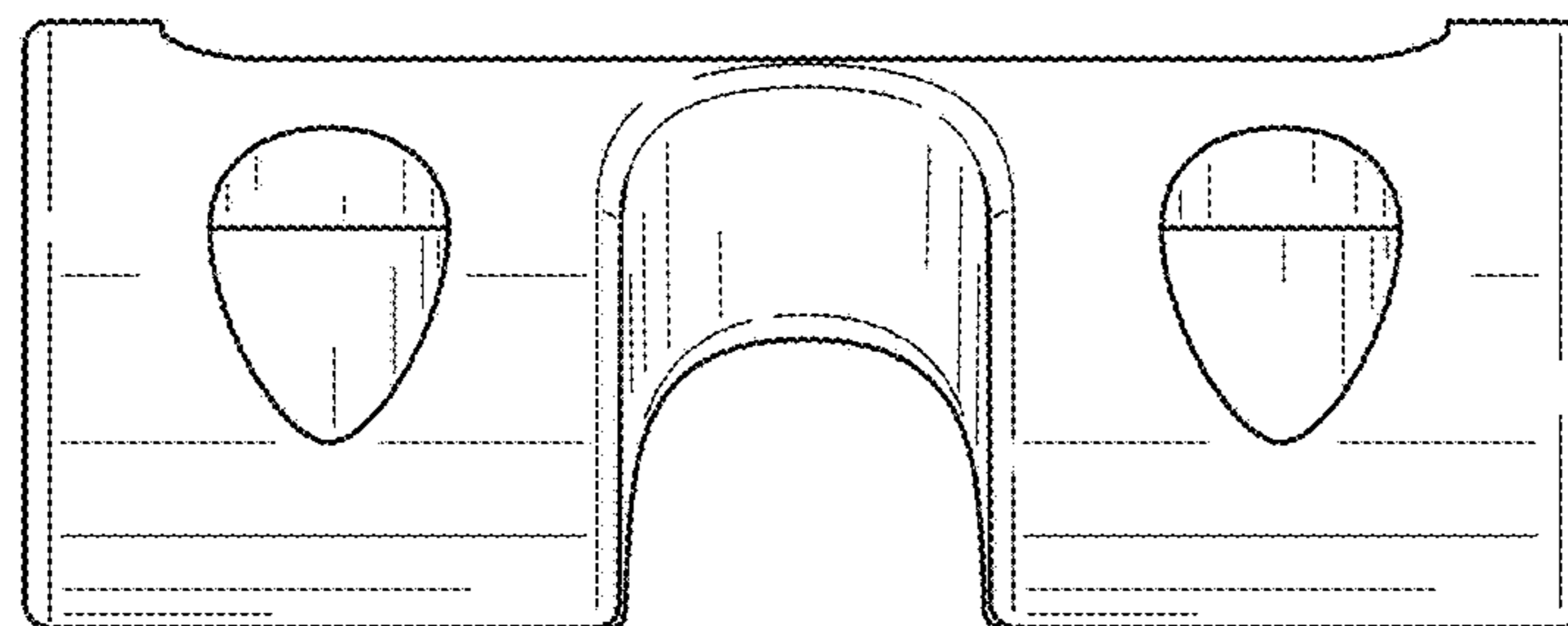


FIG. 23

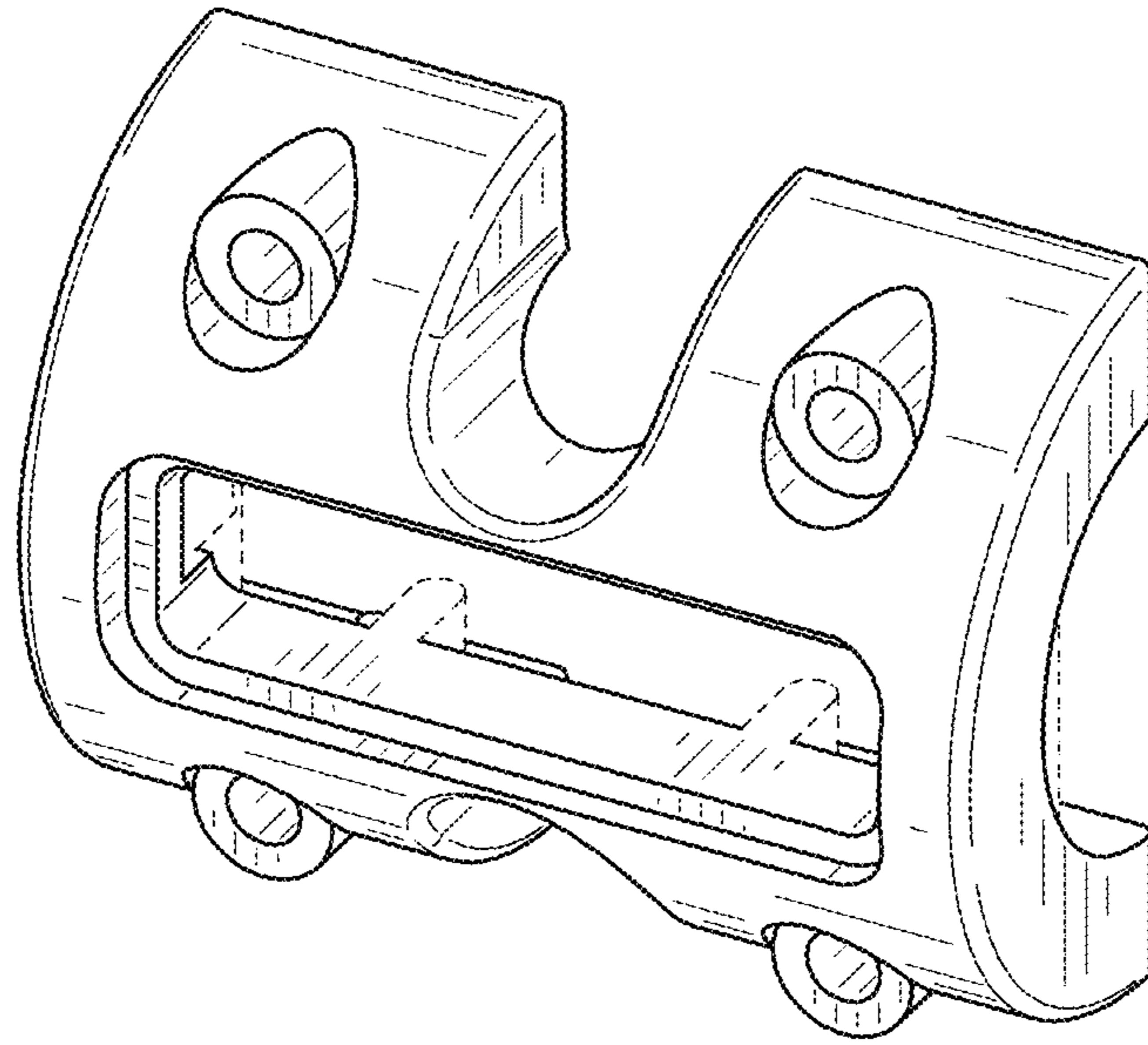


FIG. 24

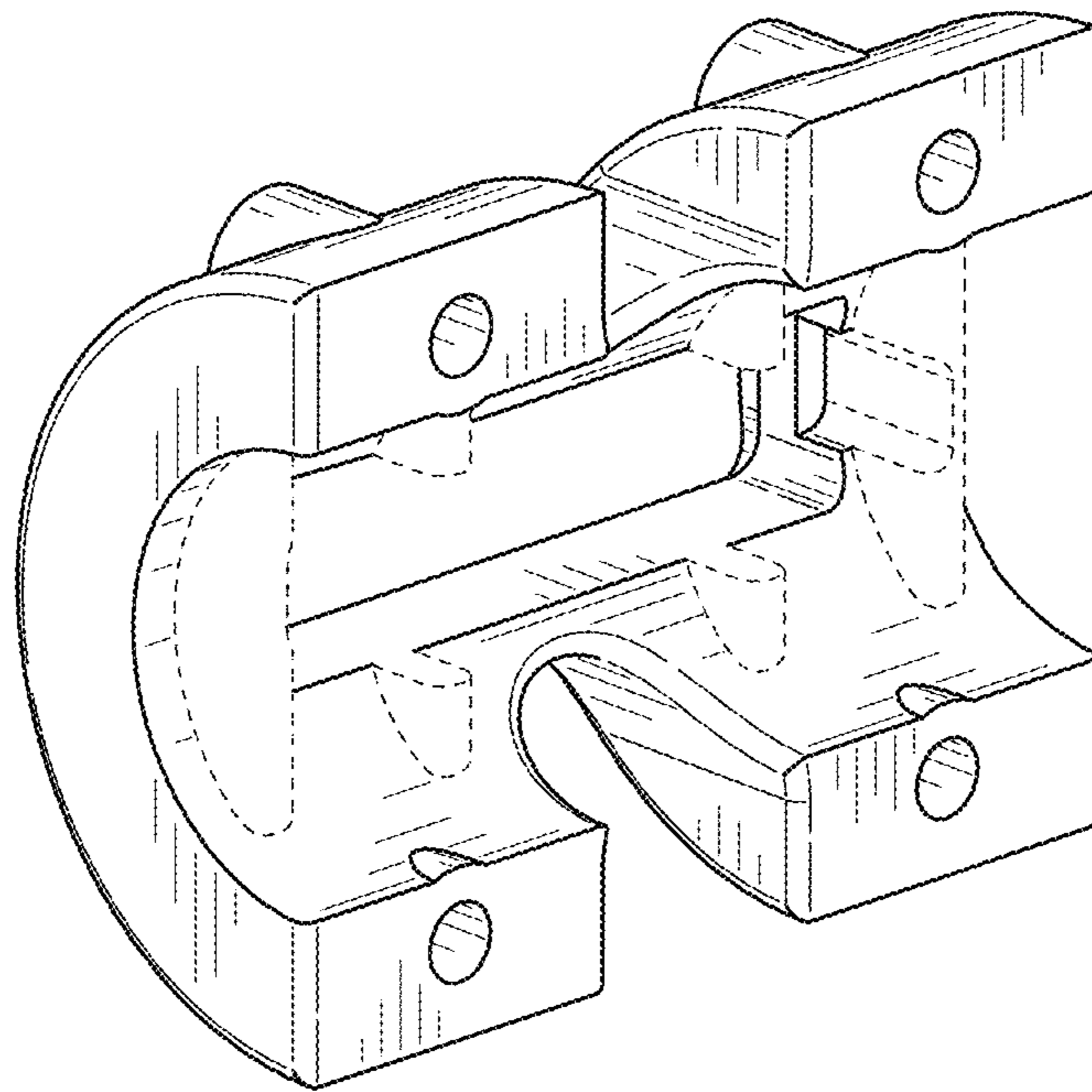


FIG. 25