



US00D788575S

(12) **United States Design Patent** (10) **Patent No.:** **US D788,575 S**  
**Kim** (45) **Date of Patent:** **\*\* Jun. 6, 2017**

(54) **MULTI-PURPOSE CLIP**  
(71) Applicant: **Sunny Kim**, Astoria, NY (US)  
(72) Inventor: **Sunny Kim**, Astoria, NY (US)  
(73) Assignee: **HELEN OF TROY LIMITED**, St. Michael (BB)  
(\*\*) Term: **15 Years**  
(21) Appl. No.: **29/564,688**  
(22) Filed: **May 14, 2016**  
(51) **LOC (10) Cl.** ..... **08-08**  
(52) **U.S. Cl.**  
USPC ..... **D8/395**  
(58) **Field of Classification Search**  
USPC .... D8/71, 72, 373, 354, 383, 394-396, 499;  
D19/56, 65, 68, 196, 199, 203; 24/22,  
24/20 S, 115 R, 546, 563, 910, 343, 67.9,  
24/67.3, 6, 13, 340, 351, 354, 355, 570,  
24/327, 334; 248/74.2, 215, 227.1, 49,  
248/300, 301, 316.7, 51, 489, 231.81;  
D28/39, 40, 42, 43; D32/60-64;  
D11/200, 202, 203, 206, 210, 212, 215,  
D11/220  
CPC ... E04F 21/18; A47C 9/00; A47C 7/66; A47C  
21/022; B65G 21/20; B65G 21/2072;  
B65G 7/12; A01K 97/10  
See application file for complete search history.

D665,246 S \* 8/2012 Laguelle ..... D8/395  
D667,724 S \* 9/2012 Mangano ..... D8/395  
2013/0016924 A1\* 1/2013 Helmsderfer ..... B65B 31/048  
383/68

**OTHER PUBLICATIONS**

DHgate "Plastic Scouring Bath Clip High Grade Binder Clip Filing Supplies Black Red Yellow White Closure Clip Wholesale ", <http://www.dhgate.com/product/plastic-scouring-bath-clip-high-grade-binder/373096554.html?recinfo=8,103,1#cppd-1-5lnull:103:r1257480972>. Jan. 19, 2017. shown in p. 1, Item # 373096554.\*

\* cited by examiner

*Primary Examiner* — Susan E Krakower  
*Assistant Examiner* — Michael Maharajh

(57) **CLAIM**

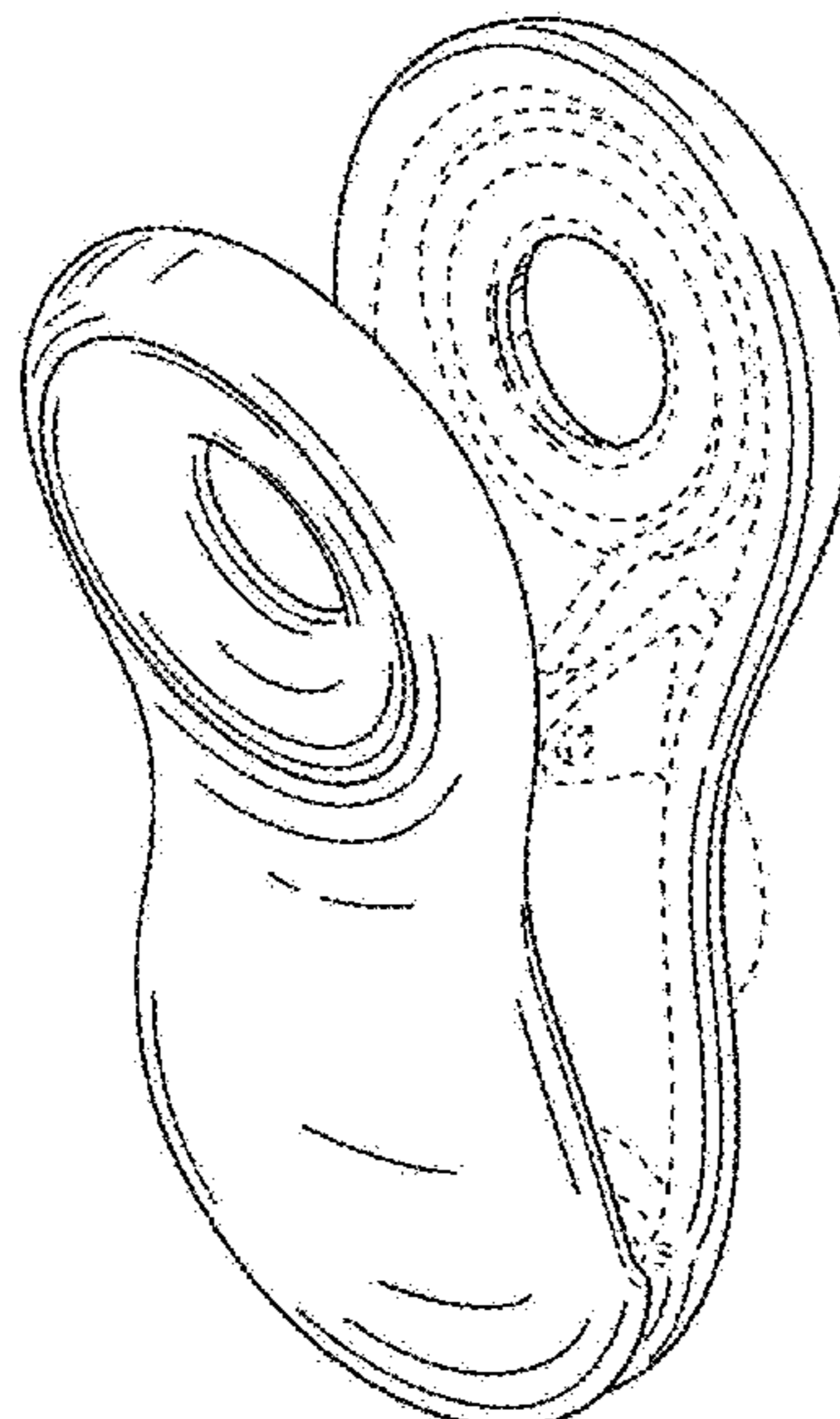
The ornamental design for a multi-purpose clip, as shown, and described.

**DESCRIPTION**

FIG. 1 is a perspective view of a multi-purpose clip, showing my new design;  
FIG. 2 is a top plan view thereof;  
FIG. 3 is a bottom plan view thereof;  
FIG. 4 is a left side view thereof;  
FIG. 5 is a right side view thereof;  
FIG. 6 is a front elevational view thereof; and,  
FIG. 7 is a rear elevational view thereof.  
The broken lines shown in the figures are for the purpose of illustrating portions of the multi-purpose clip and form no part of the claimed design.

**1 Claim, 7 Drawing Sheets**

(56) **References Cited**  
U.S. PATENT DOCUMENTS  
D519,360 S \* 4/2006 Naden ..... D8/395  
D525,117 S \* 7/2006 Mariano ..... D8/395  
D578,781 S \* 10/2008 Hansen ..... D6/328  
D598,278 S \* 8/2009 Herman ..... D8/395  
D599,651 S \* 9/2009 Riggsbee ..... D8/395



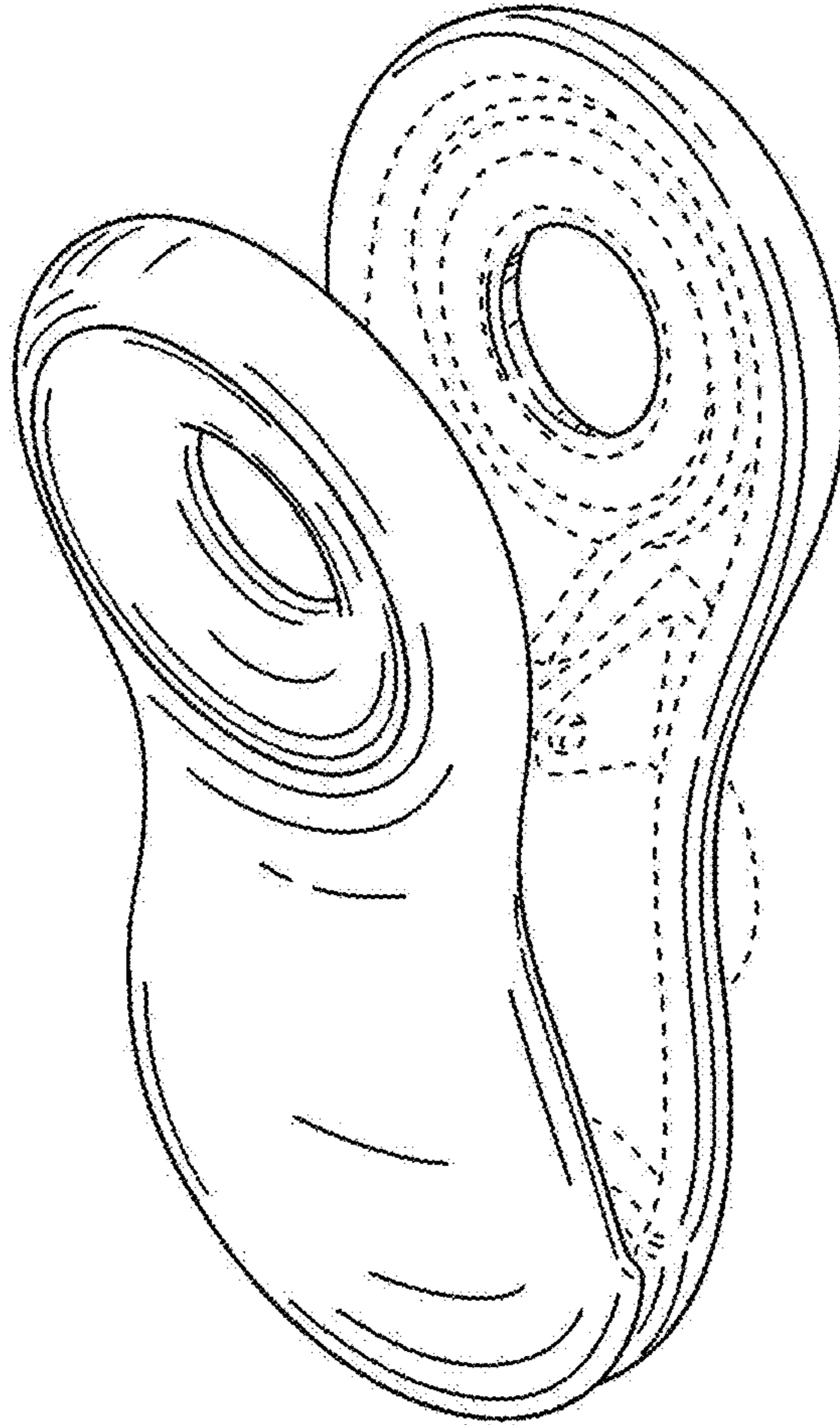


Figure 1

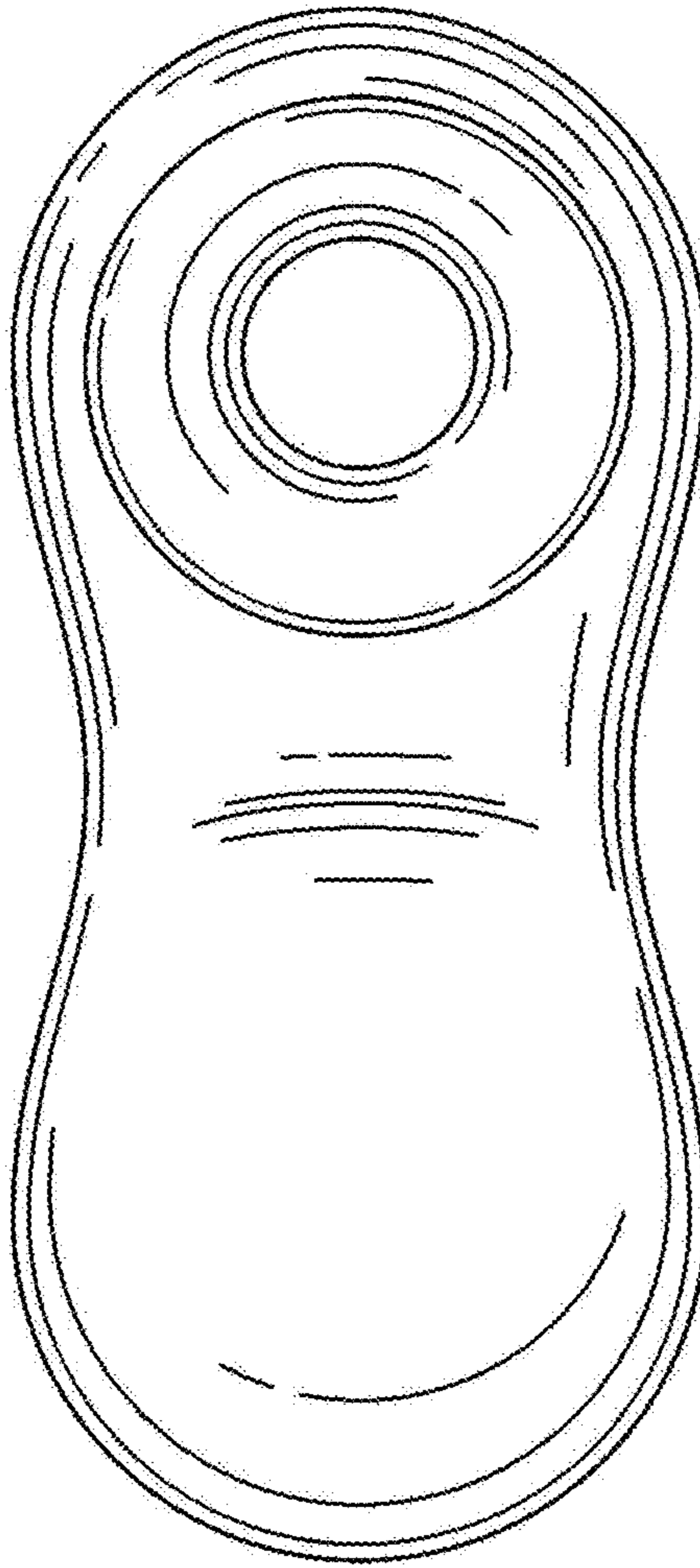


Figure 2

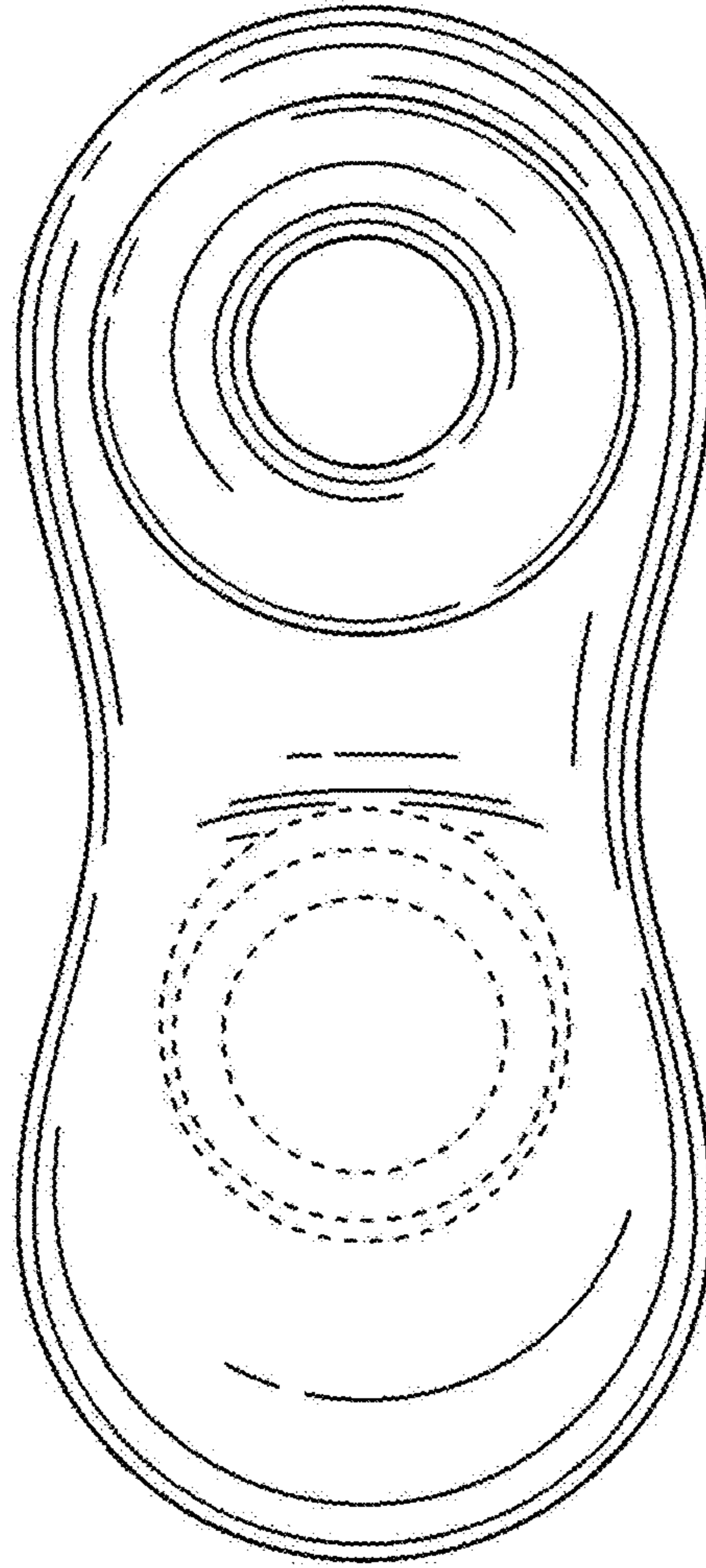


Figure 3

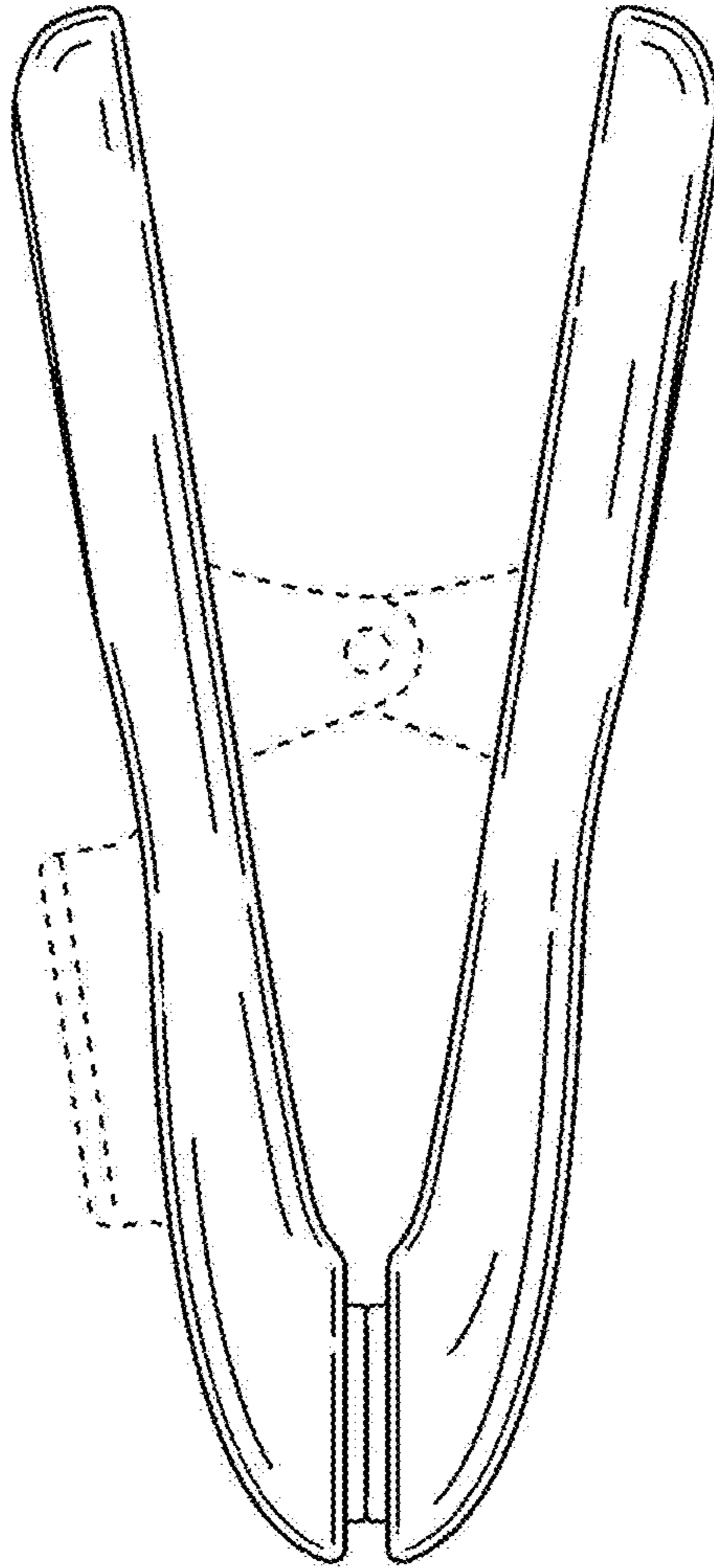


Figure 4

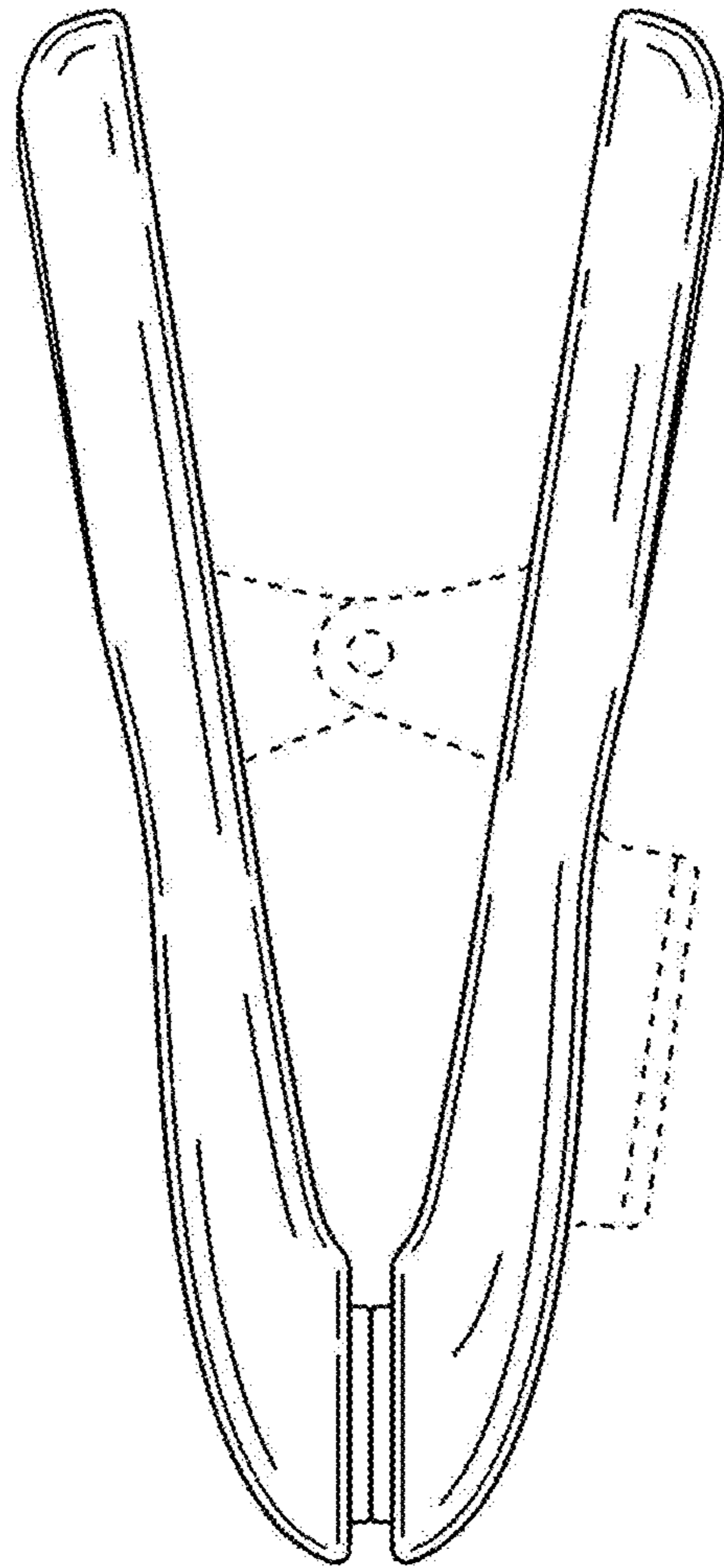


Figure 5

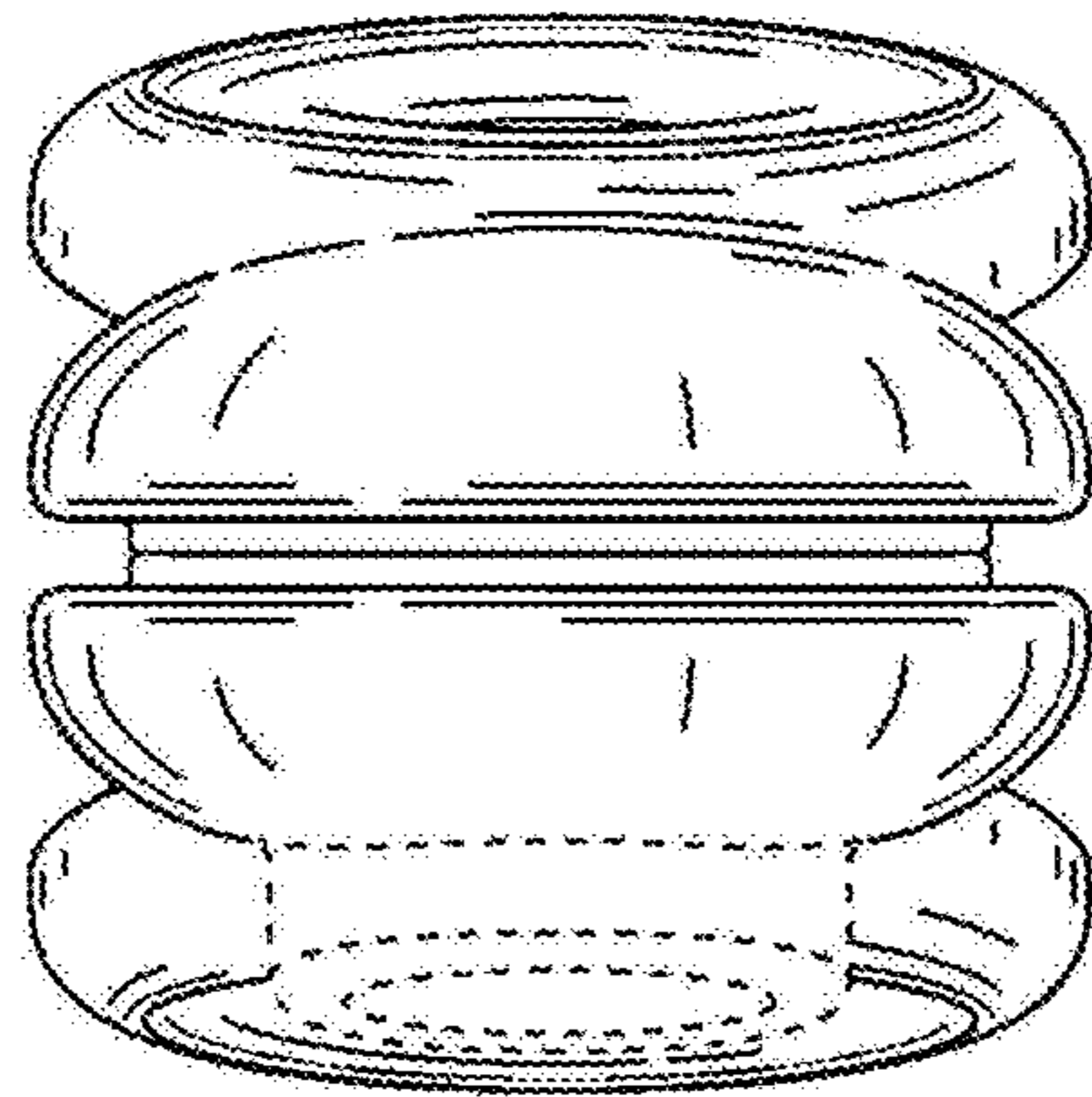


Figure 6

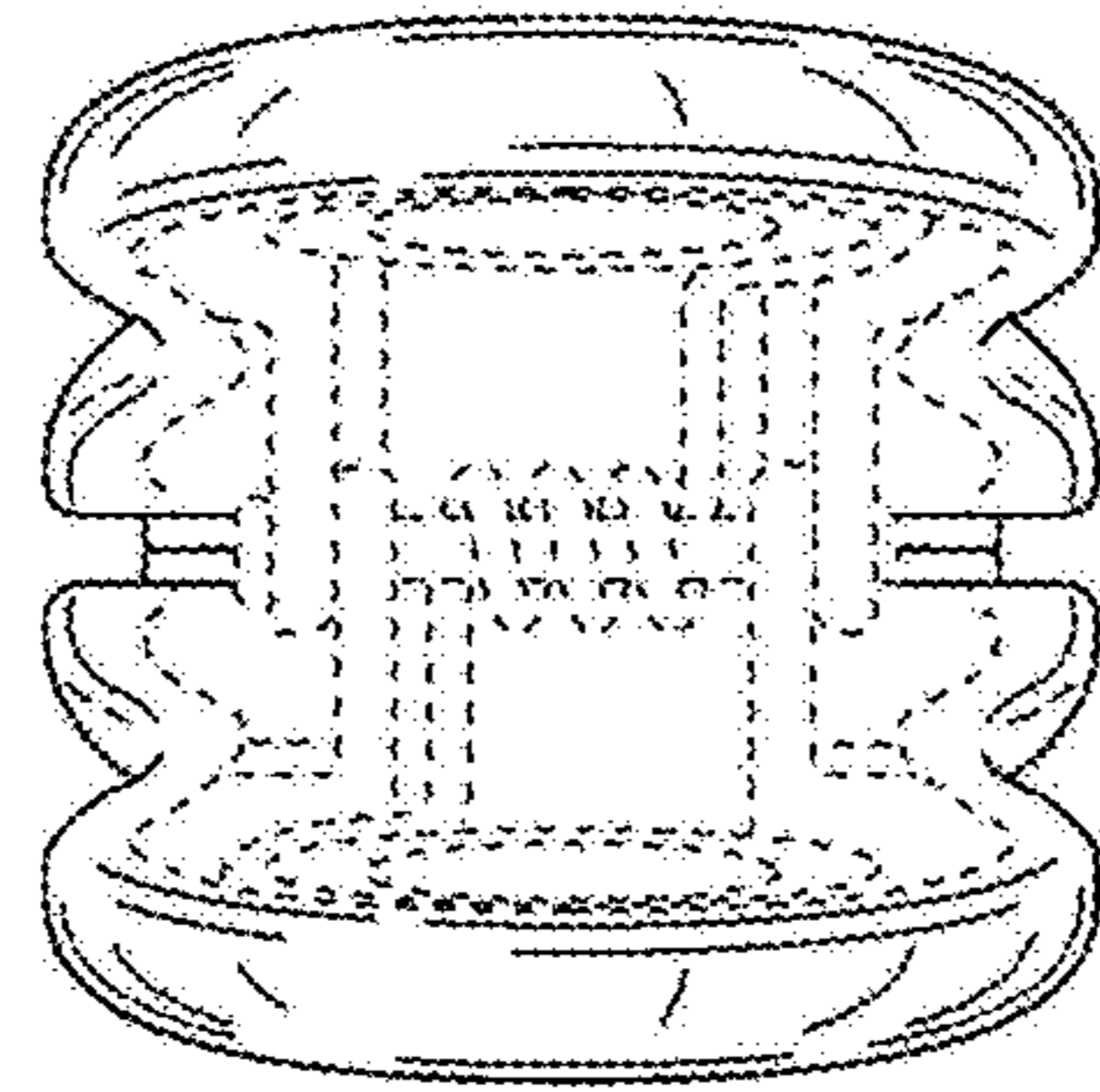


Figure 7