



US00D788574S

(12) **United States Design Patent**  
**Baiz et al.**

(10) **Patent No.:** **US D788,574 S**  
(45) **Date of Patent:** **\*\* Jun. 6, 2017**

(54) **SPIKE BOLT WITH CUP WASHER**

(71) Applicant: **ESR PERFORMANCE CORP,**  
Miami, FL (US)

(72) Inventors: **Enrique J Baiz,** Miramar, FL (US);  
**Oswaldo Izquierdo,** Homestead, FL (US)

(\*\*) Term: **15 Years**

(21) Appl. No.: **29/562,262**

(22) Filed: **Apr. 25, 2016**

(51) **LOC (10) Cl.** ..... **08-08**

(52) **U.S. Cl.**

USPC ..... **D8/387;** D8/397

(58) **Field of Classification Search**

USPC ..... D8/382, 387, 388, 391, 393, 397, 399;  
D12/202, 213, 223, 400, 207, 208

CPC ..... F16B 37/00; F16B 37/14; F16B 37/145;  
F16B 35/04; F16B 35/06; F16B 41/00;  
F16B 41/002; F16B 41/005; B60B 23/06;  
B60B 23/08; Y10S 411/91; Y10S  
411/914; Y10S 411/915; Y10T 70/5867

See application file for complete search history.

(56) **References Cited**

**U.S. PATENT DOCUMENTS**

1,115,307	A *	10/1914	Guffee	.....	F16B 41/002
					29/235
3,222,976	A *	12/1965	Holman	.....	F16B 23/0061
					301/35.623
D225,970	S *	1/1973	O'Donnell	.....	D8/387
3,817,146	A *	6/1974	Scott	.....	F16B 35/044
					29/464
D268,565	S *	4/1983	Mortus	.....	D8/397
D292,780	S *	11/1987	Galask	.....	D11/48
D427,511	S *	7/2000	Weld	.....	D8/397
D460,398	S *	7/2002	Berry	.....	D12/213
D469,345	S *	1/2003	Berry	.....	D8/382

(Continued)

**OTHER PUBLICATIONS**

112MM Long CNC Machined Forged Steel Extended Standard  
Spike Lug Nuts With Anodized Aluminum, Image post date:

Unknown, Site visited on Dec. 22, 2016, <<https://www.vmsracing.com/products/1-2-20-112mm-long-cnc-machined-forged-steel-extended-lug-nuts-with-anodized-aluminum-standard-spike?variant=21637628225>>.\*

112MM Long CNC Machined Forged Steel Extended Spiral Spike  
Lug Nuts With Anodized Aluminum, Image post date: Unknown,  
Site visited on Dec. 22, 2016, <<https://www.vmsracing.com/products/1-2-20-112mm-long-cnc-machined-forged-steel-extended-lug-nuts-with-anodized-aluminum-spiral-spike?variant=21639184449>>.\*

(Continued)

*Primary Examiner* — Sandra Snapp

*Assistant Examiner* — Ieisha Price

(74) *Attorney, Agent, or Firm* — QuickPatents, LLC;  
Kevin Prince

(57) **CLAIM**

The ornamental design for a spike bolt with cup washer, as  
shown and described.

**DESCRIPTION**

FIG. 1 is a front view of the spike bolt with cup washer  
showing our new design, with the cup washer affixed to the  
spike bolt. The rear, left and right side elevation views are  
mirror images of;

FIG. 2 is an exploded front plan view of the spike bolt with  
cup washer, showing the cup washer in an alternate position;

FIG. 3 is a top, side perspective view of FIG. 1;

FIG. 4 is a second top, side perspective view of FIG. 1,  
showing the opposite side of FIG. 3;

FIG. 5 is a bottom, side perspective view of FIG. 1;

FIG. 6 is a second bottom, side perspective view of FIG. 1,  
showing the opposite side of FIG. 5;

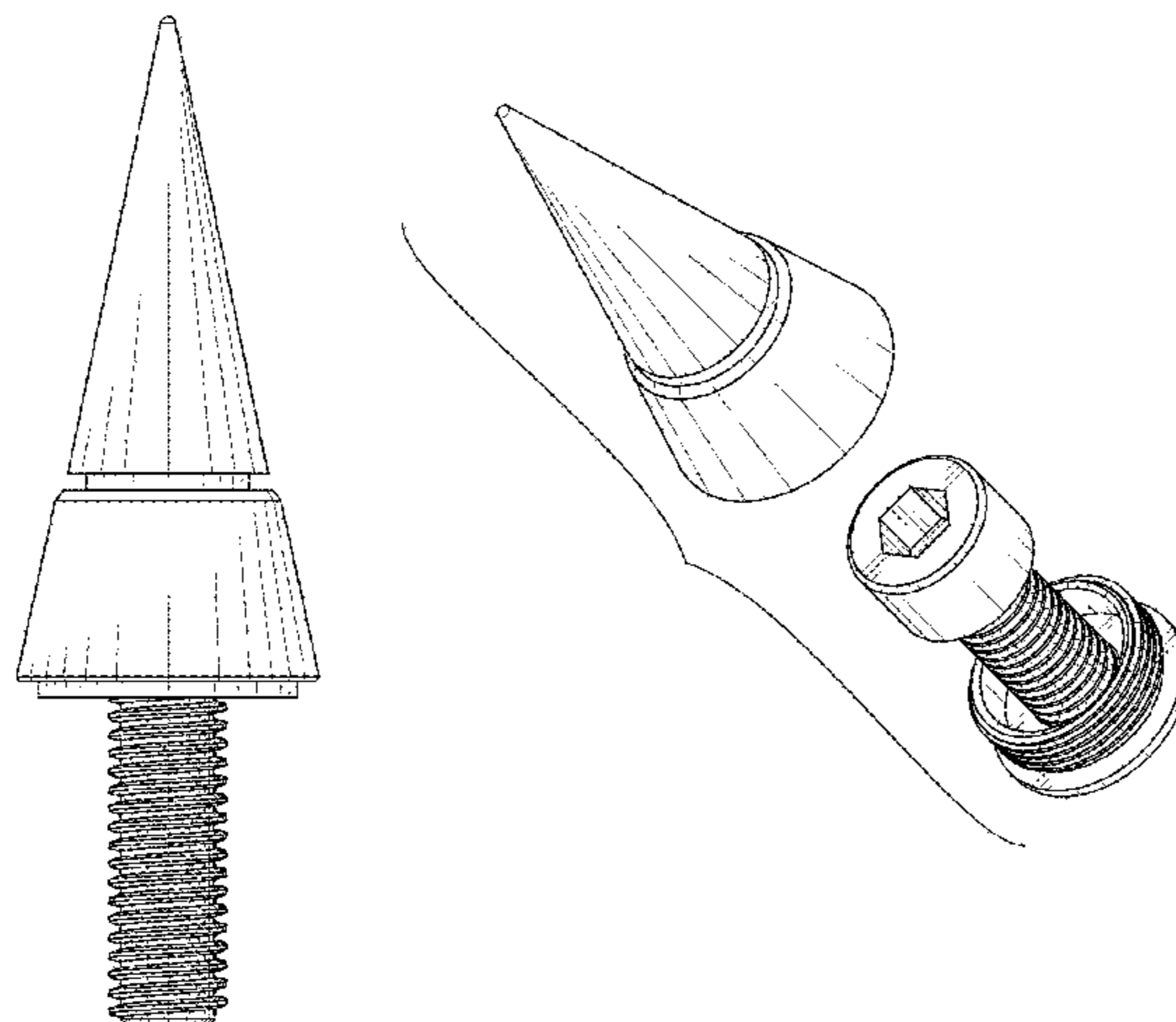
FIG. 7 is an exploded top, side perspective view of FIG. 2;

FIG. 8 is an exploded bottom, side perspective view of FIG.  
2;

FIG. 9 is a second exploded top, side perspective view of  
FIG. 2, showing the opposite side of FIG. 7; and,

FIG. 10 is a second exploded bottom, side perspective view  
of FIG. 2, showing the opposite side of FIG. 8.

**1 Claim, 5 Drawing Sheets**



(56)

**References Cited**

U.S. PATENT DOCUMENTS

D549,568 S \* 8/2007 Schaeffer ..... D8/397  
7,311,621 B2 \* 12/2007 Sullivan ..... F42B 6/08  
473/583  
7,392,674 B1 \* 7/2008 Grote ..... F16B 37/14  
411/910  
D590,243 S \* 4/2009 Bush ..... D8/397  
D720,208 S \* 12/2014 Jordan ..... D8/397  
D731,300 S \* 6/2015 Vargas ..... D8/397  
D738,265 S \* 9/2015 McNeeley ..... D12/118  
D746,129 S \* 12/2015 Kishida ..... D8/399  
D780,563 S \* 3/2017 Baiz ..... D8/387  
D780,564 S \* 3/2017 Baiz ..... D8/387  
2017/0045077 A1 \* 2/2017 Hill ..... F16B 35/00

OTHER PUBLICATIONS

89MM Long CNC Machined Forged Steel Extended Lug Nuts With Anodized Aluminum Standard Spike, Image post date: Unknown, Site visited on Dec. 22, 2016, <<https://www.vmsracing.com/products/1-2-20-89mm-long-cnc-machined-forged-steel-extended-lug-nuts-with-anodized-aluminum-standard-spike?variant=23143413121>>.\*

Spike Header Cup Bolt & Washer Kit for Honda Acura Engines 8MM Bolts Civic CRX Integra, Image post date: Unknown, Site visited on Dec. 22, 2016, <<https://www.vmsracing.com/products/spike-header-cup-bolt-washer-kit-for-honda-acura-engines-8mm-bolts-civic-crx-integra>>.\*

\* cited by examiner

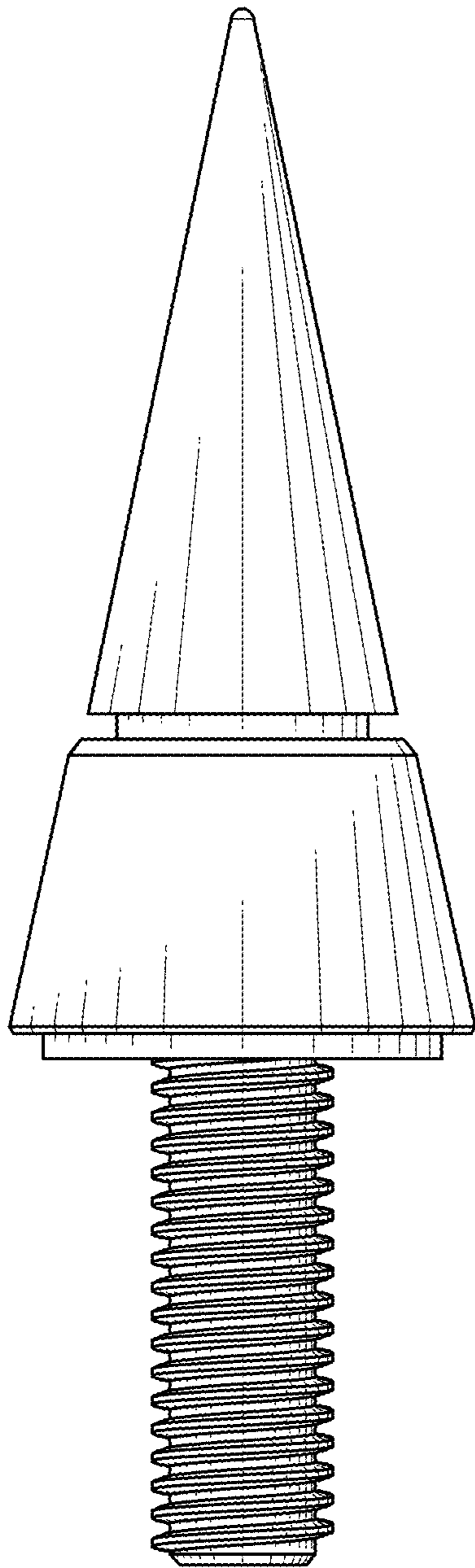


FIG. 1

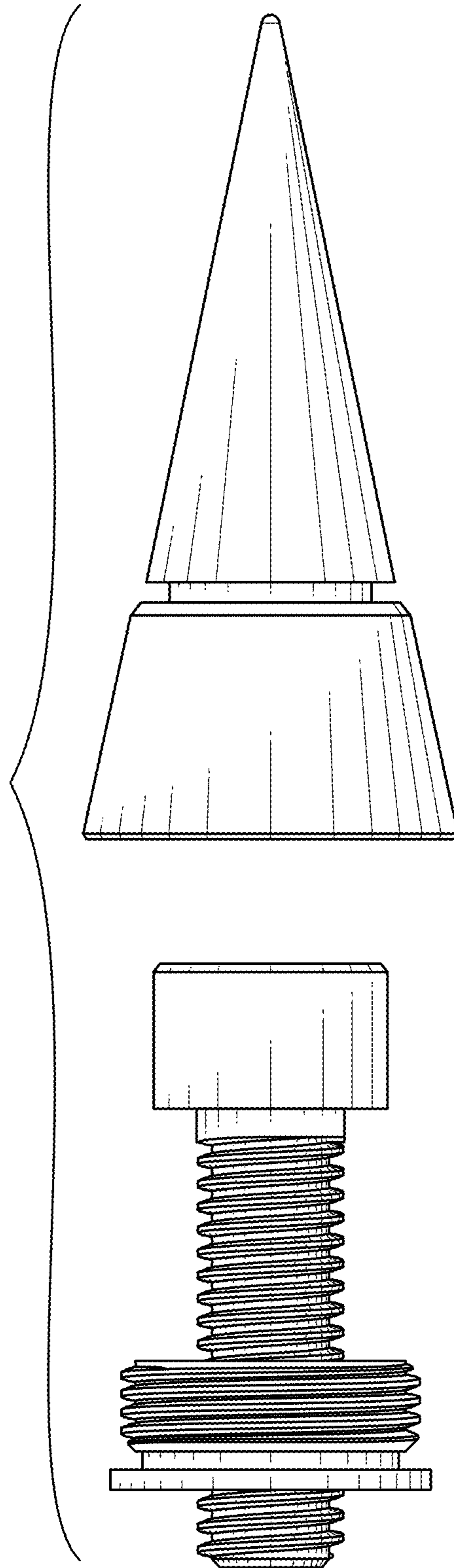


FIG. 2



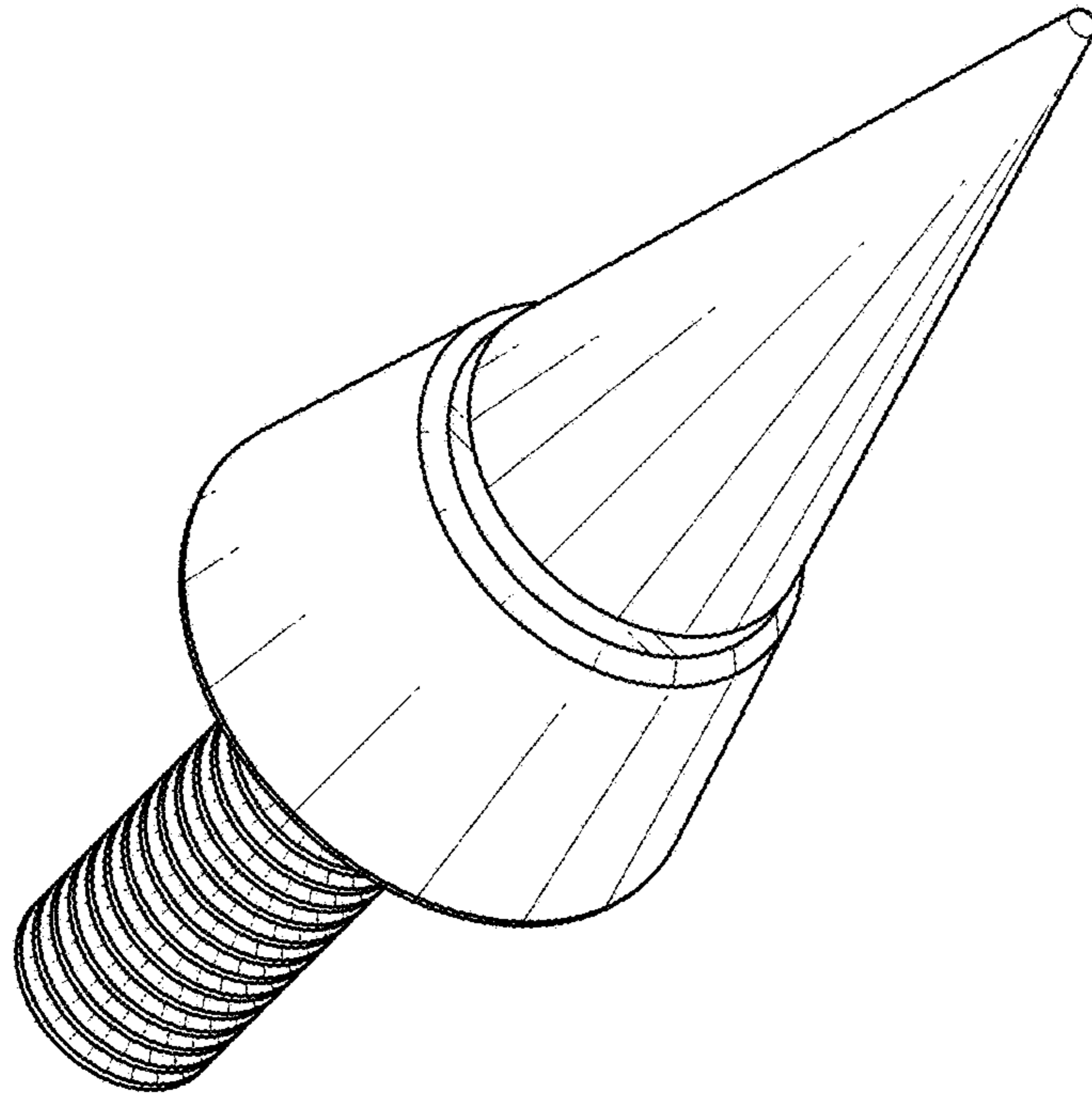


FIG. 3

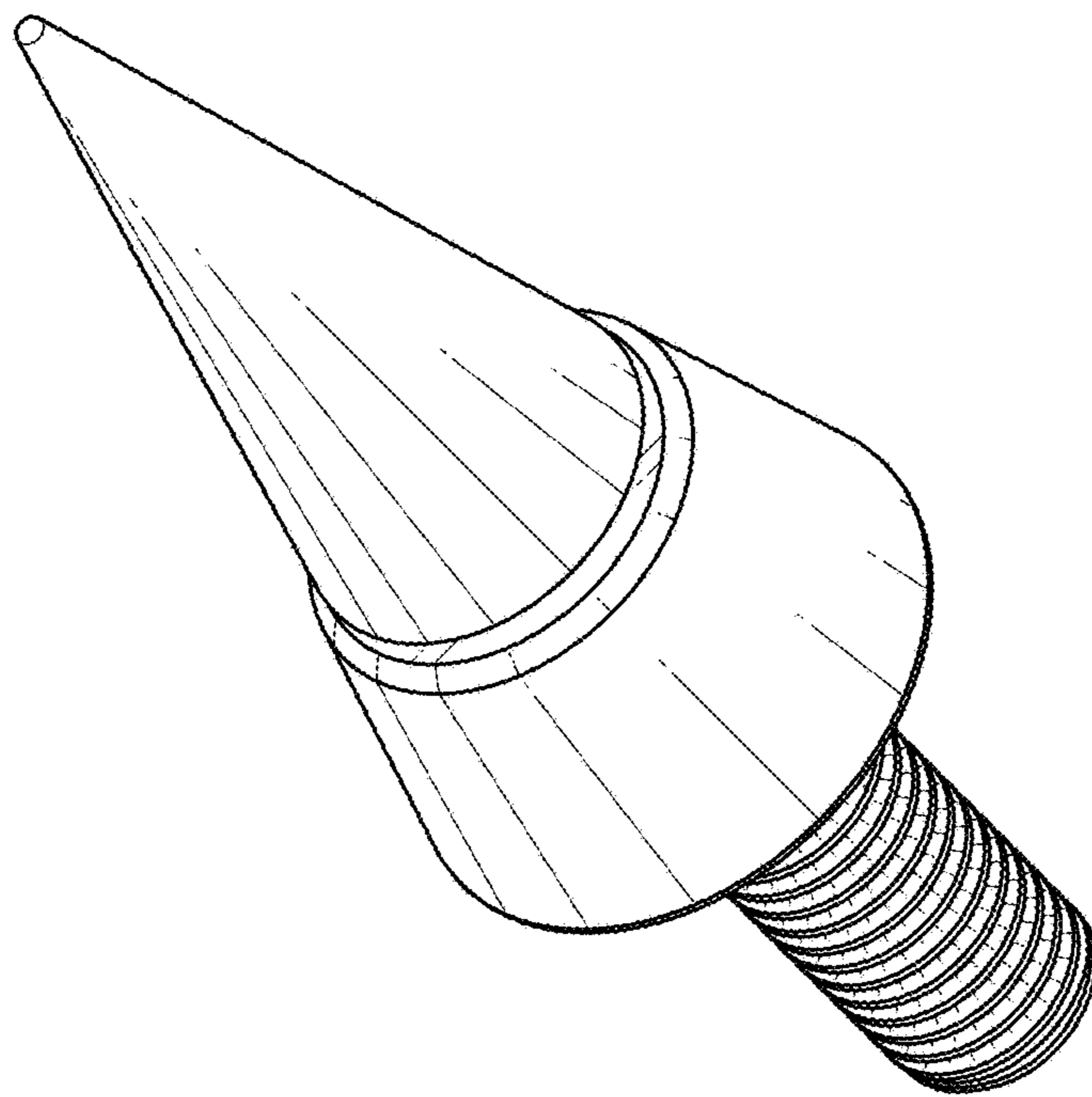


FIG. 4

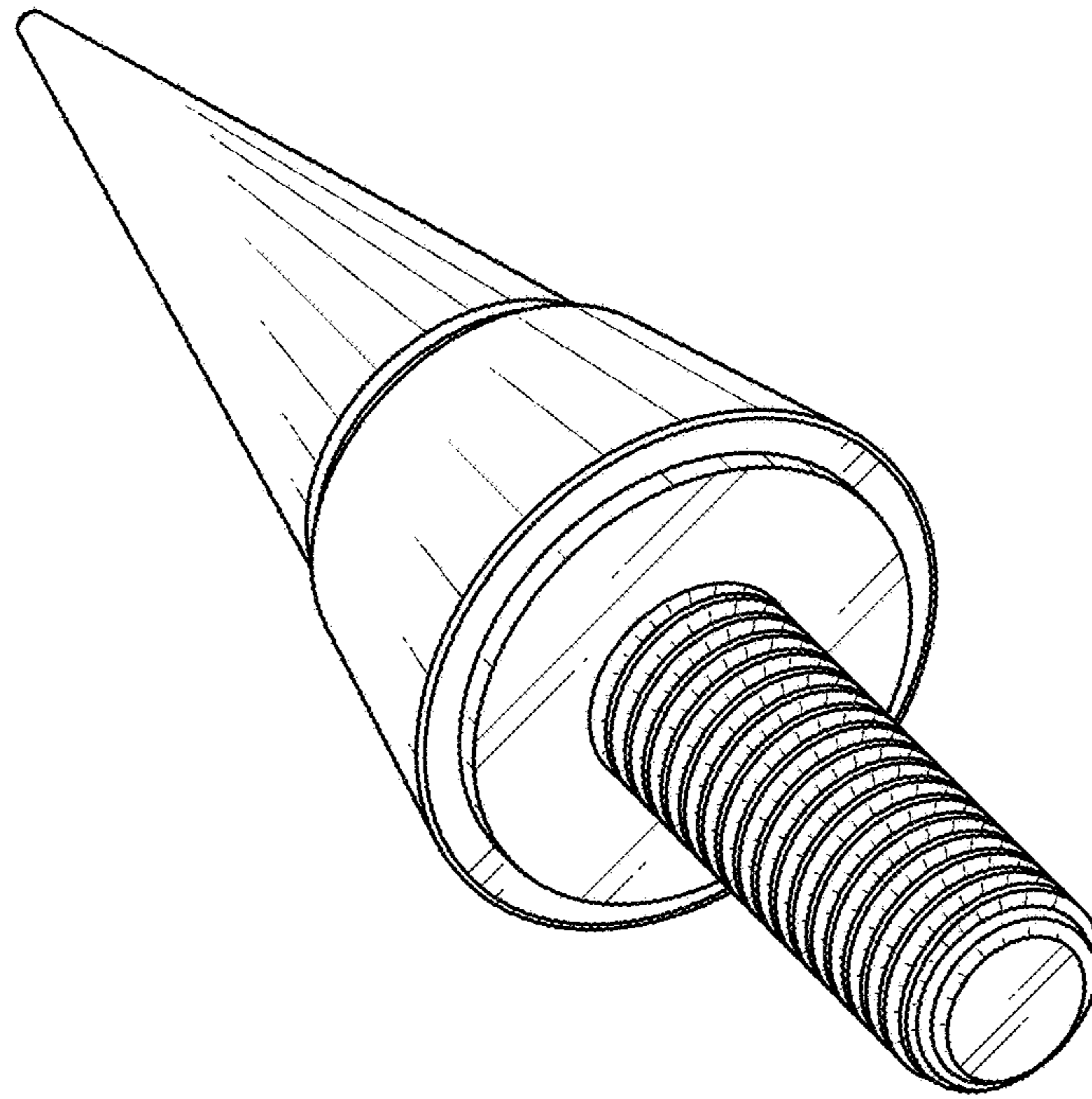


FIG. 5

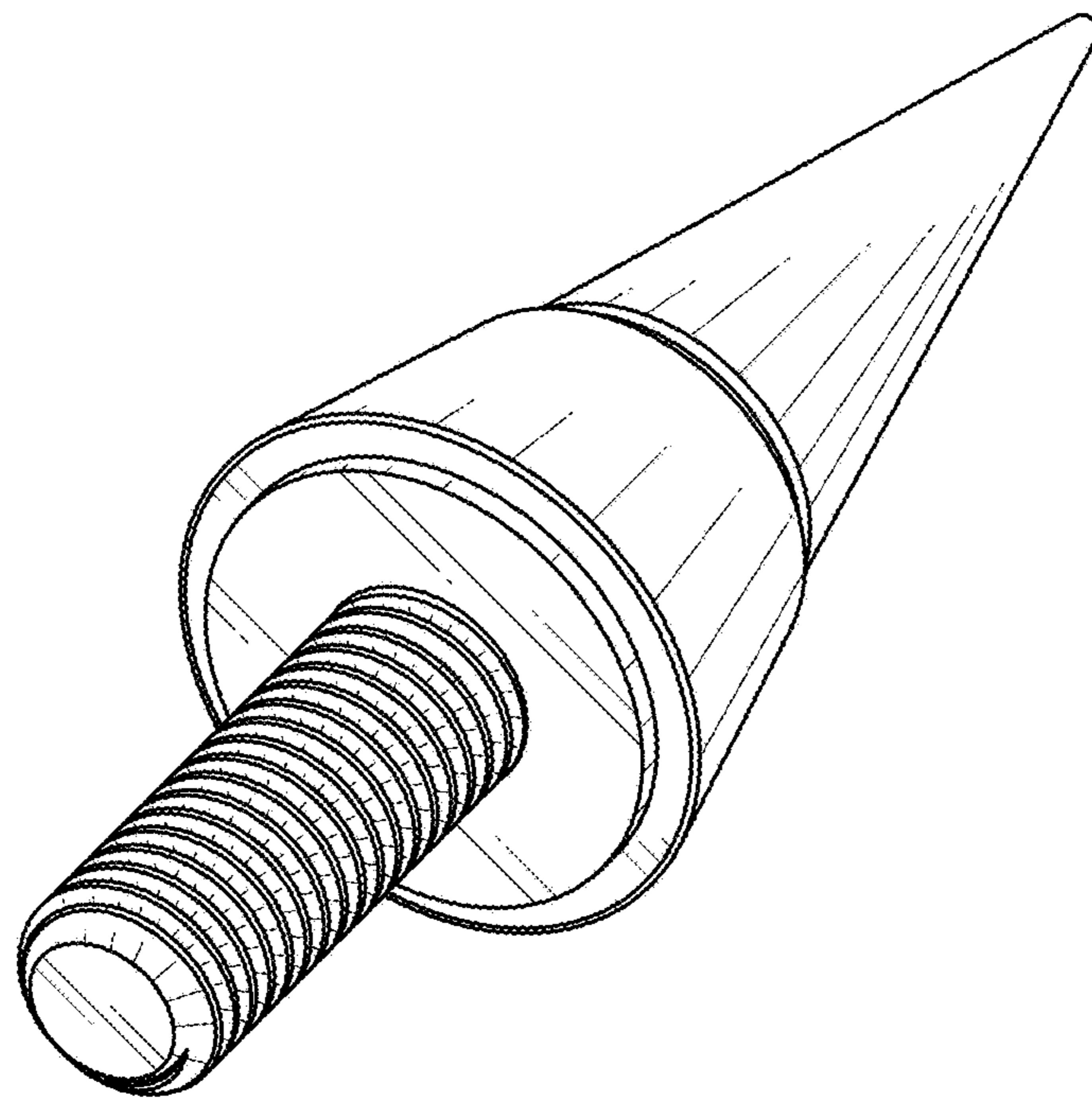


FIG. 6

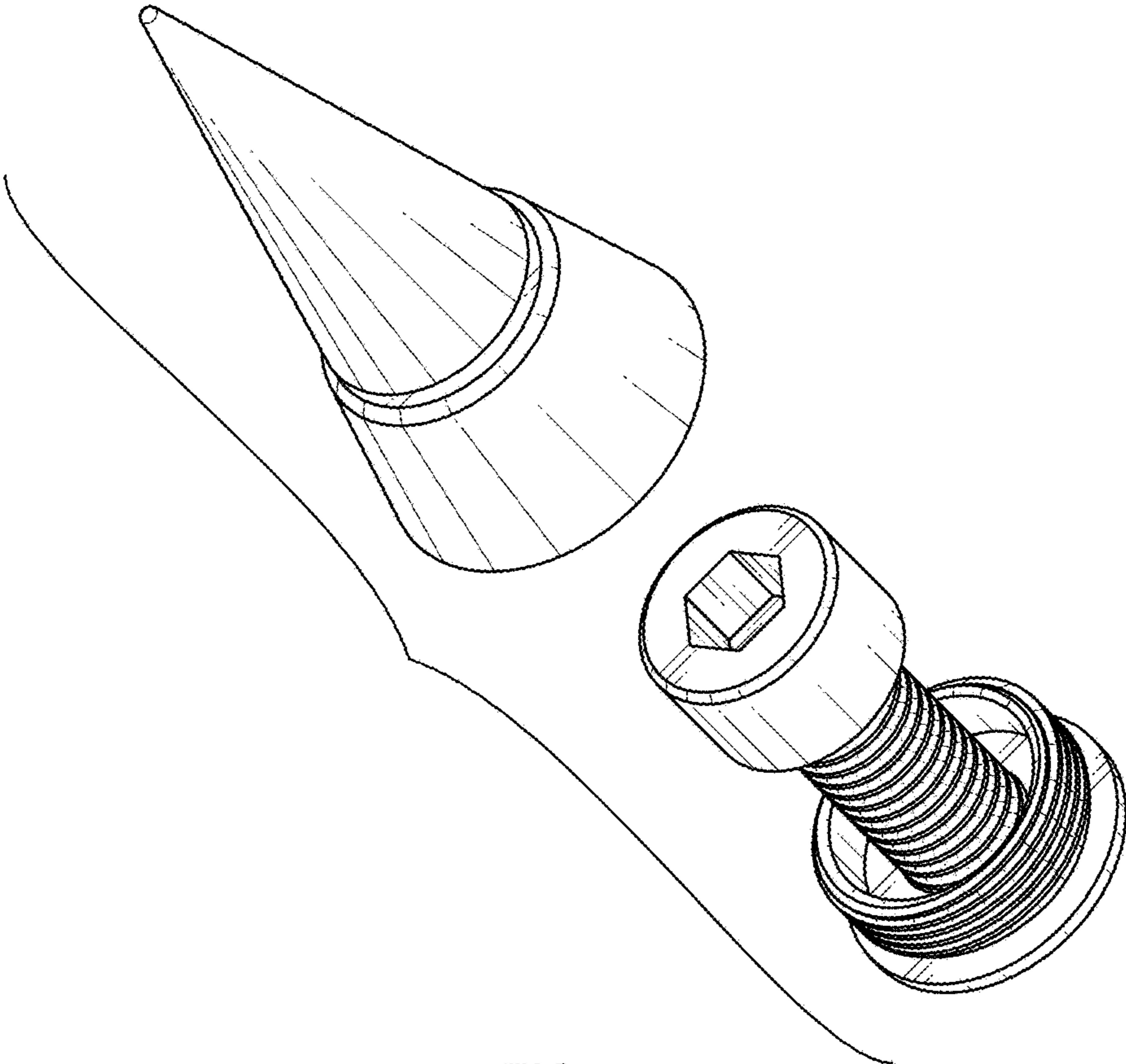


FIG. 7

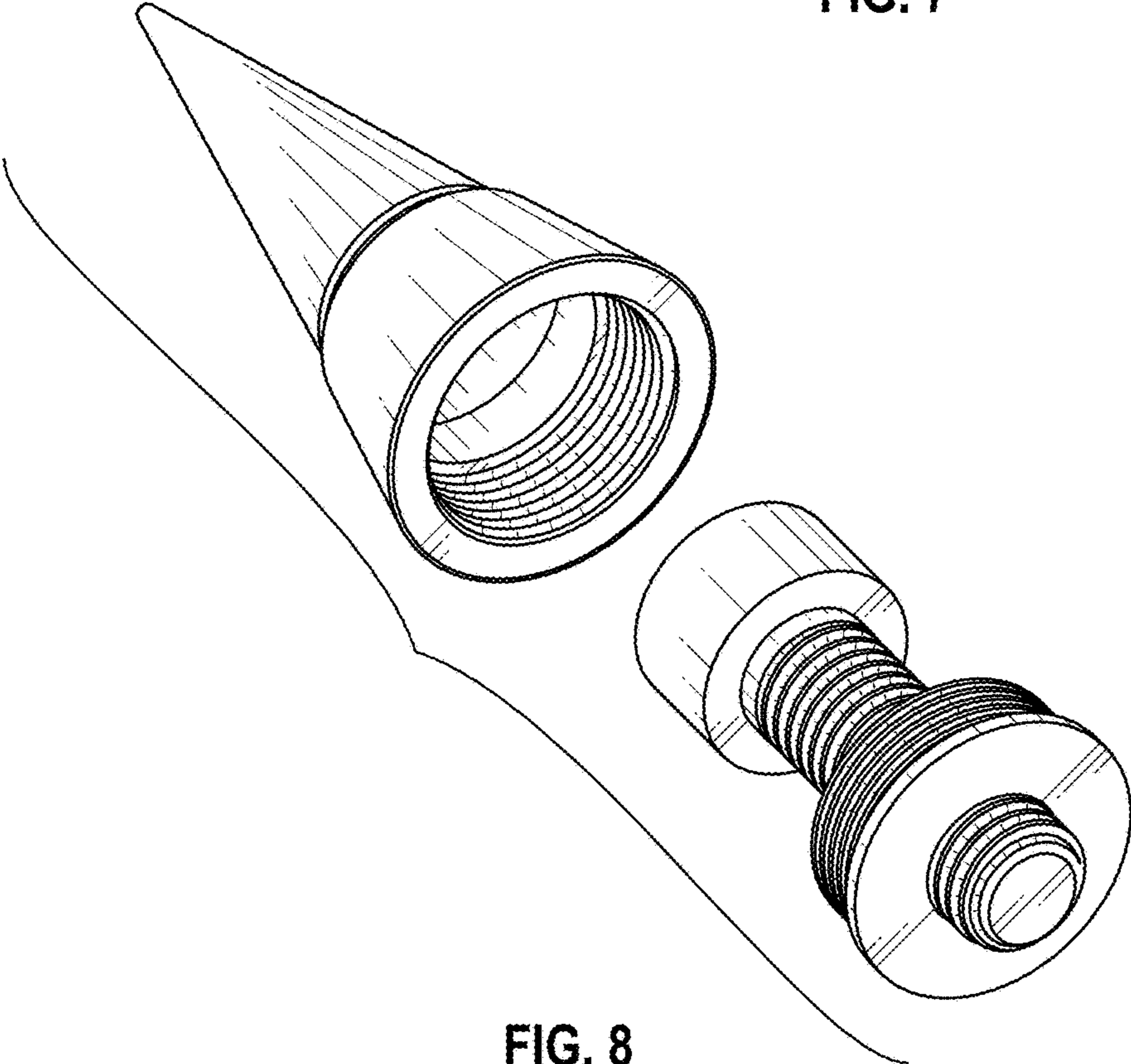


FIG. 8



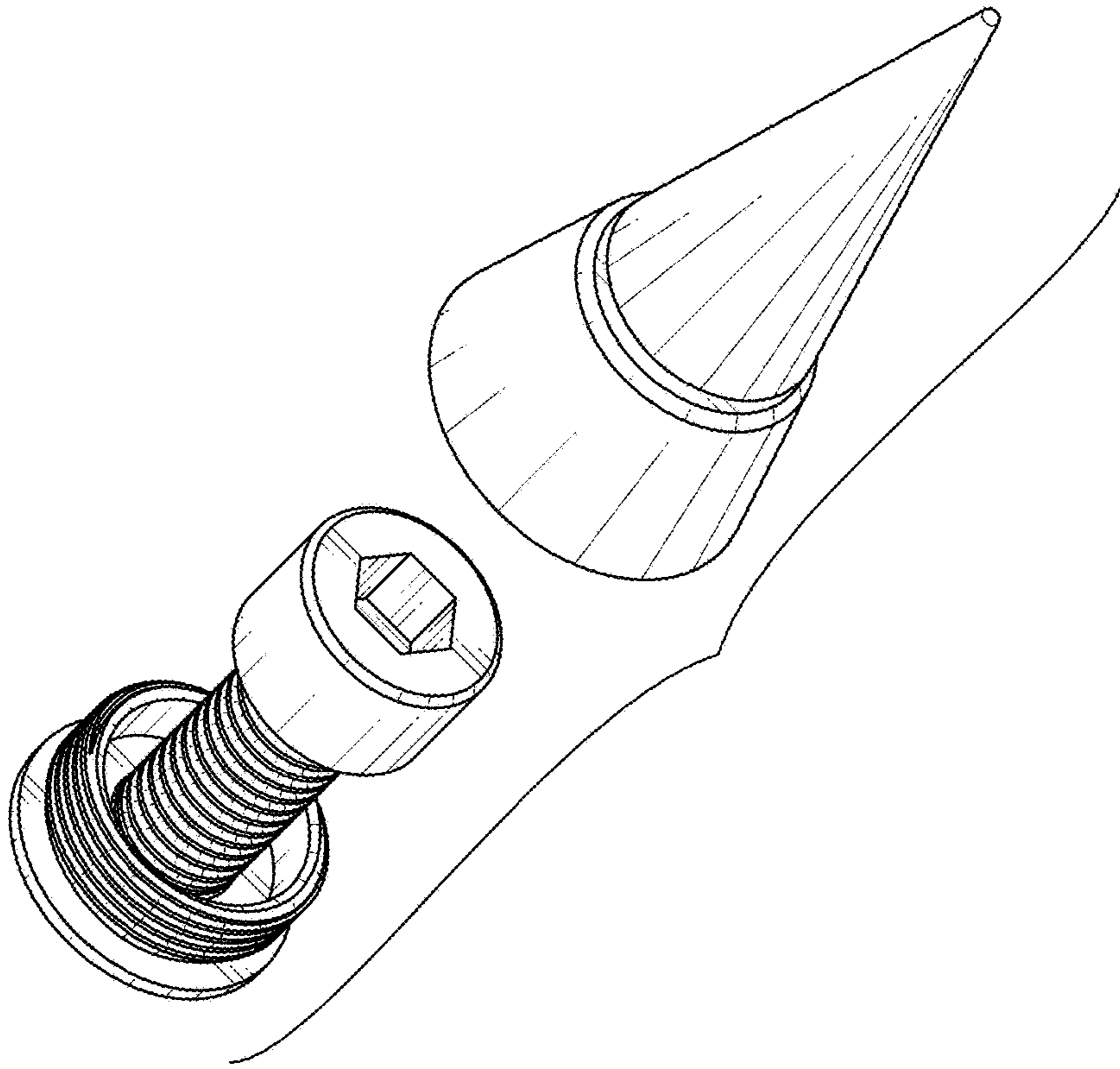


FIG. 9

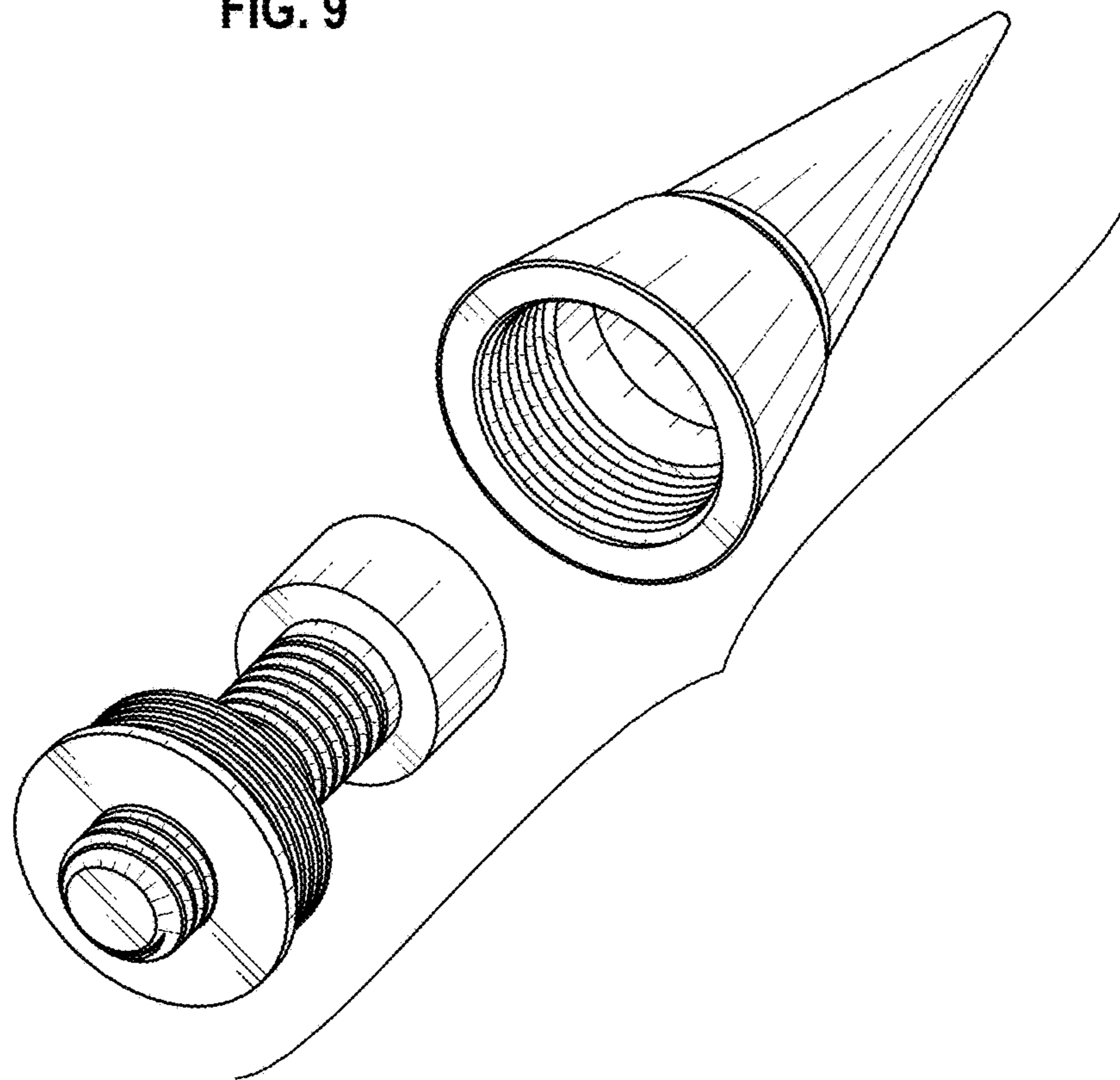


FIG. 10