



US00D788572S

(12) **United States Design Patent** (10) **Patent No.:** **US D788,572 S**
Votel et al. (45) **Date of Patent:** **** Jun. 6, 2017**

(54) **CARABINER** 6,223,372 B1 * 5/2001 Barber B25F 1/00
7/118

(71) Applicant: **Tenacious Holdings, Inc.**, St. Paul, MN (US) 6,588,076 B1 7/2003 Choate
6,606,769 B1 8/2003 Harris
6,622,354 B1 9/2003 Klingier
6,715,898 B1 4/2004 Huang
6,725,480 B2 4/2004 Sawatzky
6,859,963 B2 3/2005 Sawatzky
6,979,143 B2 12/2005 Goldberg
7,106,858 B2 9/2006 Goldberg
7,111,349 B2 9/2006 Goldberg
7,216,386 B2 5/2007 Sawatzky
7,216,906 B2 5/2007 Barrett
7,228,600 B1 6/2007 Selby et al.
7,234,207 B2 6/2007 Goldberg
7,254,856 B2 8/2007 Goldberg
7,293,927 B2 11/2007 Goldberg
7,320,159 B2 * 1/2008 Petzl F16B 45/02
24/599.5

(72) Inventors: **Thomas Votel**, Sunfish Lake, MN (US);
Nathan Bohmbach, Lakeville, MN (US)

(73) Assignee: **Tenacious Holdings, Inc.**, St. Paul, MN (US)

(**) Term: **15 Years**

(21) Appl. No.: **29/554,259**

(22) Filed: **Feb. 10, 2016**

(51) **LOC (10) Cl.** **08-05**

(52) **U.S. Cl.**
USPC **D8/356**

(58) **Field of Classification Search**
USPC D8/67, 354, 349, 356; D34/35
CPC . F16B 45/02; B66C 1/125; B66C 1/36; A62B
35/0037
See application file for complete search history.

(56) **References Cited**
U.S. PATENT DOCUMENTS
4,095,316 A 6/1978 Gabriel
4,667,772 A 5/1987 Kammerer
4,802,264 A 2/1989 Isenhart
4,811,467 A 3/1989 Lowe
5,005,266 A 4/1991 Fister et al.
5,210,914 A 5/1993 Katsma
5,329,675 A 7/1994 McLean et al.
D349,839 S * 8/1994 Gilardelli D8/331
5,416,955 A 5/1995 Katsma
5,463,798 A 11/1995 Wurzer
D391,840 S * 3/1998 Striebel D8/367
5,878,834 A 3/1999 Brainerd et al.
5,940,943 A 8/1999 Kloster

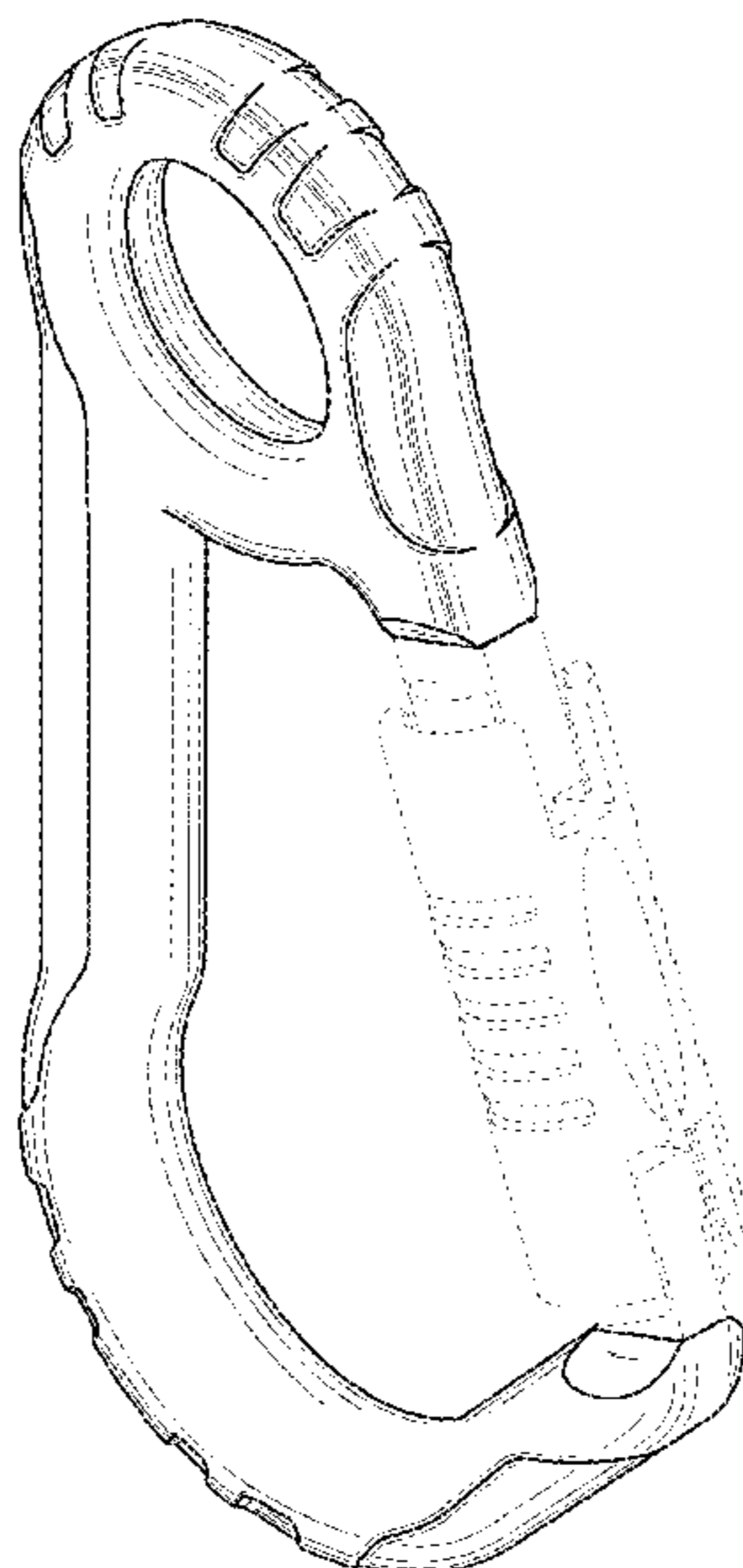
(74) *Primary Examiner* — Cynthia Underwood
Attorney, Agent, or Firm — Skaar Ulbrich Macari, P.A.

(57) **CLAIM**
We claim the ornamental design for the carabiner, as shown and described.

DESCRIPTION

FIG. 1 is a perspective of our carabiner.
FIG. 2 is a right side elevation view thereof.
FIG. 3 is a left side elevation view thereof.
FIG. 4 is a front elevation view thereof.
FIG. 5 is a back elevation view thereof.
FIG. 6 is a bottom plan view thereof; and,
FIG. 7 is a top plan view thereof.
The broken lines on the drawings illustrate features that form no part of the claim.

1 Claim, 6 Drawing Sheets



(56)

References Cited

U.S. PATENT DOCUMENTS

7,475,456 B2 *	1/2009	Thompson	F16B 45/02	24/599.9	D730,159 S *	5/2015	Grimm	D8/356
7,540,074 B2 *	6/2009	Thompson	F16B 45/02	24/599.5	D730,722 S *	6/2015	Grimm	D8/356
7,571,944 B2	8/2009	Mortensen				9,091,295 B1 *	7/2015	Yang	F16B 45/02
7,698,970 B1	4/2010	Chavez et al.				D743,778 S *	11/2015	Huang	D8/367
7,845,467 B2 *	12/2010	Petzl	A62B 1/14	182/193	9,175,717 B2	11/2015	Tardif		
7,909,624 B2	3/2011	Iida				9,322,428 B2 *	4/2016	Perner	F16B 45/02
7,938,533 B2	5/2011	Shapiro				D765,497 S *	9/2016	Petzl	D8/356
7,946,006 B2 *	5/2011	Thompson	F16B 45/02	24/592.11	9,470,258 B2	10/2016	Fitz-Earle et al.		
7,992,267 B2	8/2011	Christianson				2007/0062014 A1 *	3/2007	Casebolt	F16B 45/02
8,001,663 B2	8/2011	Belcourt et al.								24/600.1
8,016,073 B2	9/2011	Petzl et al.				2007/0186393 A1 *	8/2007	Thompson	F16B 45/02
D649,018 S *	11/2011	Kope	D8/367						24/599.9
8,060,994 B2 *	11/2011	Petzl	F16B 45/02	24/599.9	2008/0022497 A1 *	1/2008	Thompson	F16B 45/02
D649,862 S *	12/2011	Arvinte	D8/339						24/598.1
8,156,617 B2	4/2012	Schwappach et al.				2008/0174130 A1 *	7/2008	Lin	F16B 45/02
8,234,761 B2	8/2012	Gompert et al.								294/82.2
8,276,247 B2 *	10/2012	Yang	F16B 45/02	24/599.5	2009/0056088 A1 *	3/2009	Petzl	F16B 45/02
8,366,265 B2	2/2013	Shapiro								24/599.9
8,398,134 B1	3/2013	Mortensen				2011/0023275 A1 *	2/2011	Thompson	F16B 45/02
8,402,616 B2	3/2013	Petzl et al.								24/594.1
8,443,495 B2	5/2013	Schwappach et al.				2011/0138587 A1 *	6/2011	Walker	F16B 45/02
D684,452 S *	6/2013	Petzl	D8/356						24/599.5
8,474,112 B2 *	7/2013	Thompson	F16B 45/02	24/582.11	2012/0011688 A1 *	1/2012	Yang	F16B 45/02
8,491,330 B2	7/2013	McSweyn								24/599.8
8,528,451 B2	9/2013	Steineckert et al.				2013/0219673 A1 *	8/2013	Perner	F16B 45/02
8,555,470 B2	10/2013	Spataro et al.								24/375
8,621,728 B2	1/2014	Christianson				2014/0110956 A1 *	4/2014	Lin	F16B 45/02
8,758,045 B2	6/2014	McSweyn								294/82.2
D708,047 S *	7/2014	Petzl	D8/356		2014/0123447 A1 *	5/2014	Calvert	F16B 45/025
8,905,449 B2 *	12/2014	Calvert	F16B 45/025	24/599.1					24/599.9
8,955,203 B2	2/2015	Tardif				2014/0245576 A1 *	9/2014	Perner	F16B 45/02
8,985,658 B2	3/2015	Chepurny et al.								24/600.1
D726,123 S *	4/2015	Su	D13/154		2015/0231423 A1 *	8/2015	Perner	A62B 35/0075
9,003,617 B2 *	4/2015	Walker	F16B 45/02	24/599.1					24/505
						2016/0061251 A1 *	3/2016	Rogelja	F16B 45/02
										24/598.3
						2016/0101302 A1 *	4/2016	Perner	F16B 45/02
										24/573.11
						2016/0152453 A1 *	6/2016	Wescott	B66D 3/04
										182/3
						2016/0281766 A1 *	9/2016	Moine	A62B 35/0037
						2016/0361578 A1 *	12/2016	Casebolt	A62B 35/0037
						2016/0363159 A1 *	12/2016	Yeh	F16B 45/02
						2016/0376129 A1 *	12/2016	Hendrix	F16B 45/02
										294/82.2

* cited by examiner

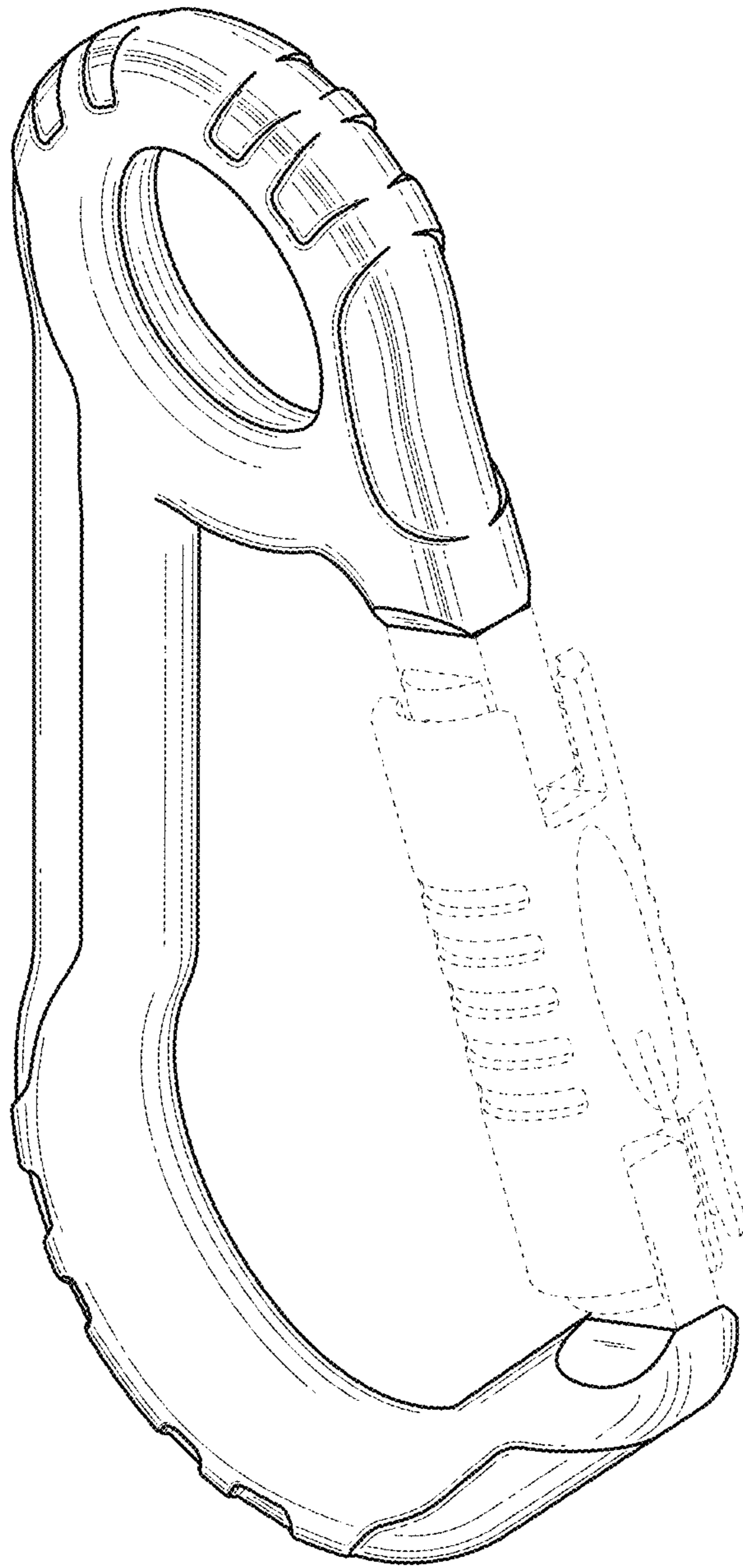


Fig. 1

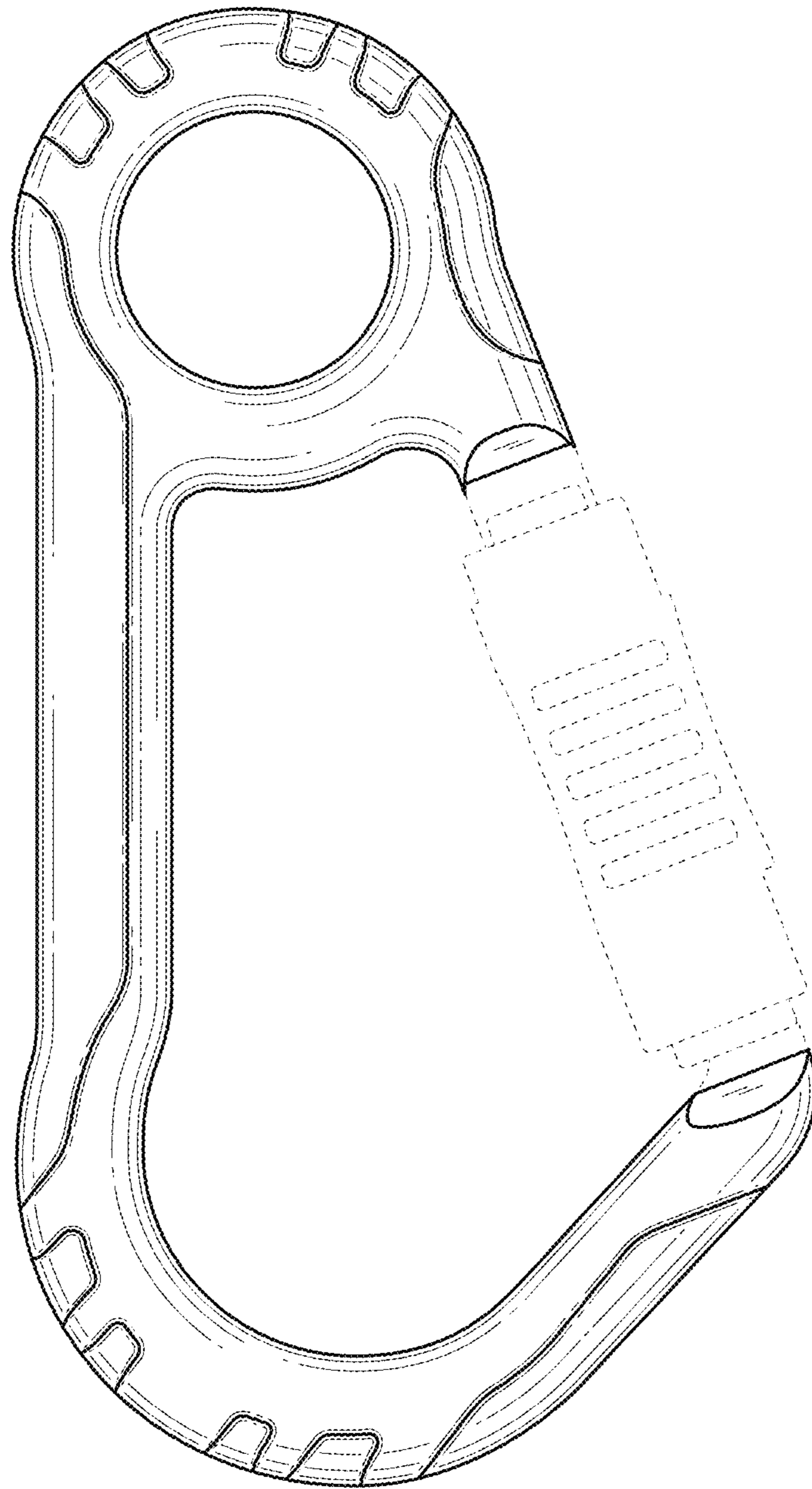


Fig. 2

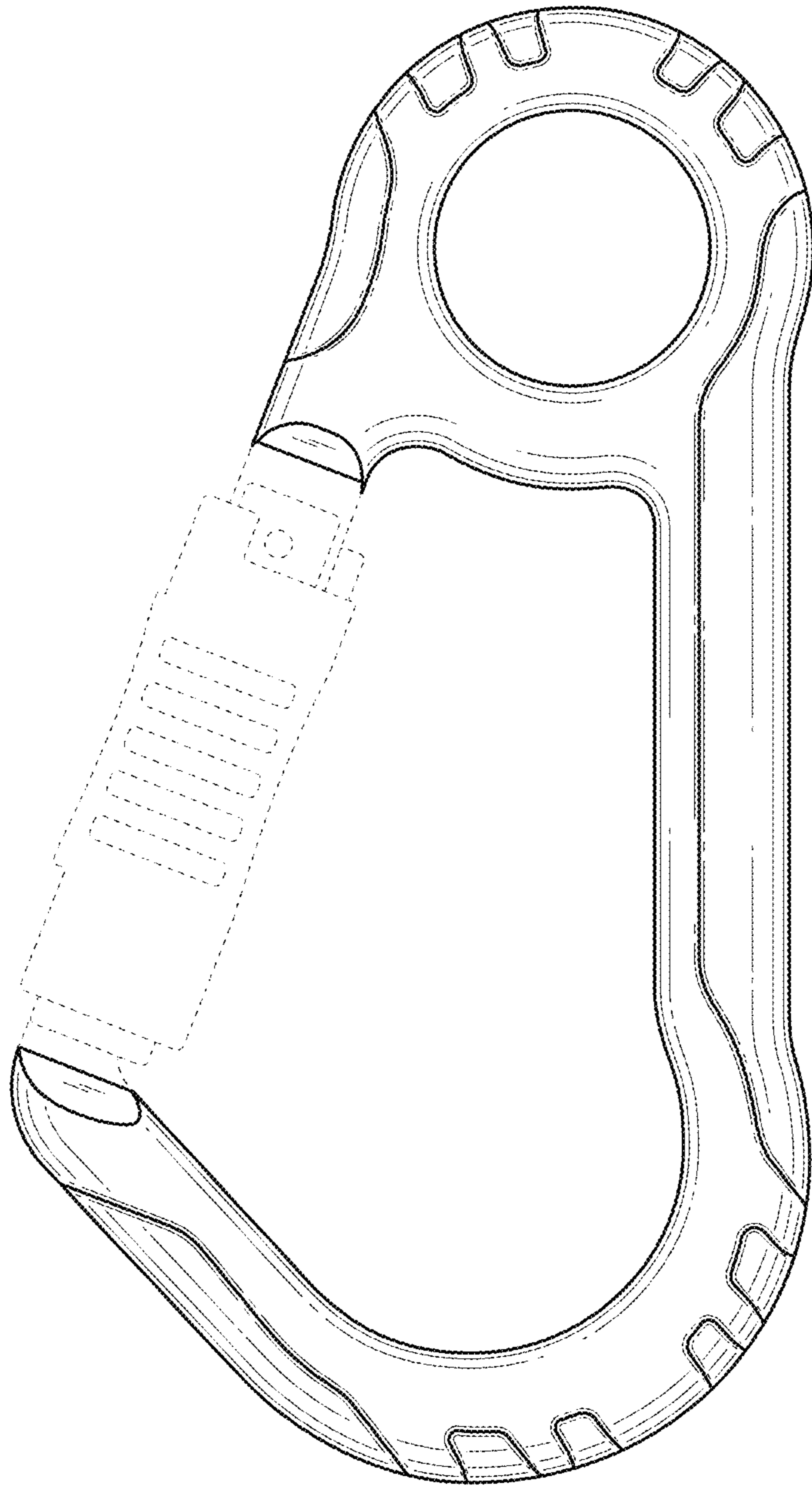


Fig. 3

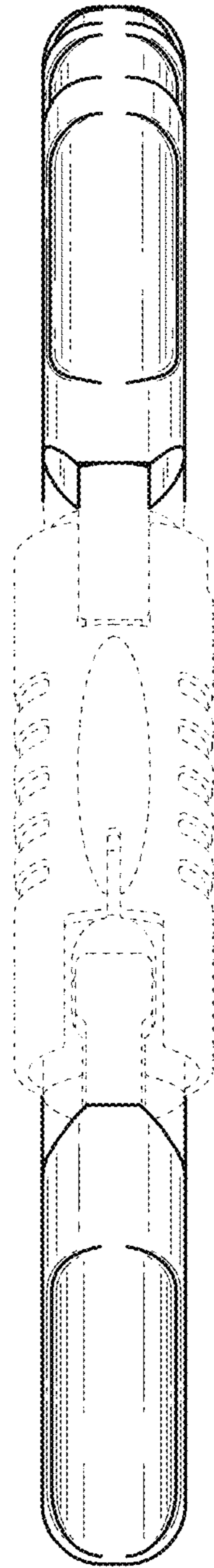


Fig. 4

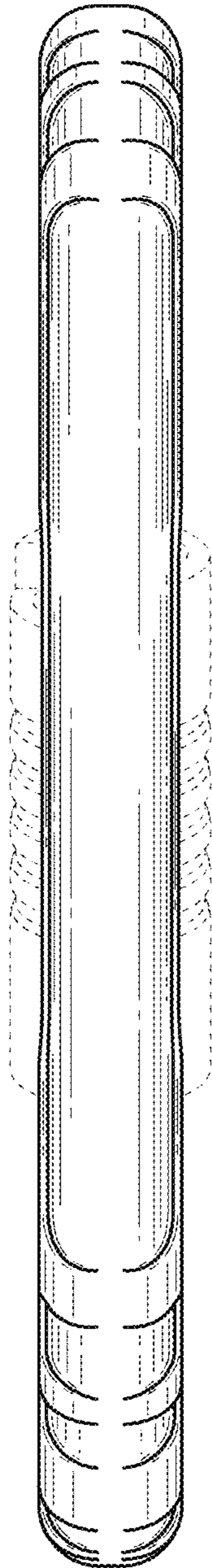


Fig. 5

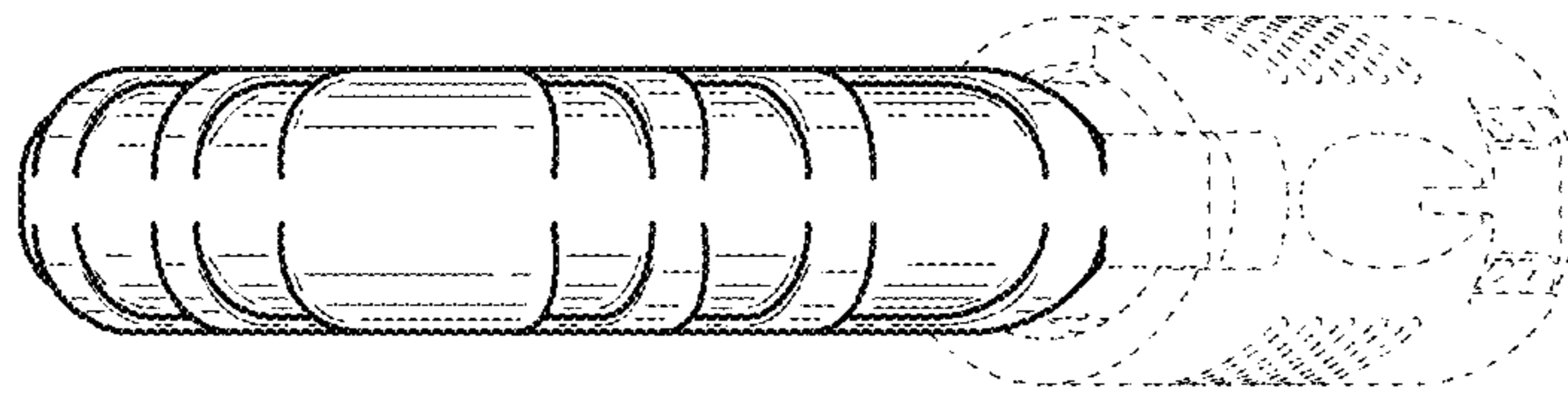


Fig. 6

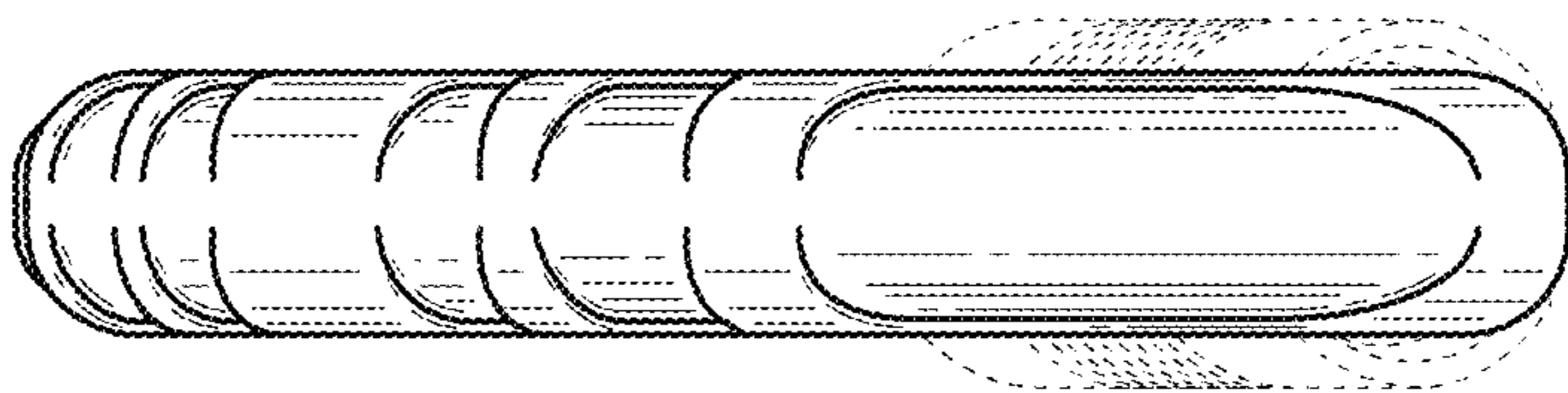


Fig. 7