



US00D788570S

(12) **United States Design Patent** (10) **Patent No.:** **US D788,570 S**  
**Calle** (45) **Date of Patent:** **\*\* Jun. 6, 2017**

(54) **GUIDE**

(71) Applicant: **Lisa H. Calle**, Pottstown, PA (US)

(72) Inventor: **Lisa H. Calle**, Pottstown, PA (US)

(\*\*) Term: **15 Years**

(21) Appl. No.: **29/557,942**

(22) Filed: **Mar. 14, 2016**

(51) **LOC (10) Cl.** ..... **08-05**

(52) **U.S. Cl.**  
USPC ..... **D8/354**

(58) **Field of Classification Search**  
USPC ..... D8/354  
CPC ..... A61B 17/3403; A61B 17/0841  
See application file for complete search history.

(56) **References Cited**

**U.S. PATENT DOCUMENTS**

4,760,624	A *	8/1988	Fish	.....	B25B 9/00 24/30.5 S
D314,641	S *	2/1991	Weigel	.....	D10/64
D338,940	S *	8/1993	Pellington	.....	D21/792
D369,756	S *	5/1996	Noel	.....	D10/64
6,763,785	B1 *	7/2004	Grady	.....	A01K 27/00 119/858
D533,547	S *	12/2006	Sergi	.....	D14/238
D562,416	S *	2/2008	Fedriga	.....	D21/694
D634,010	S *	3/2011	DeCarlo	.....	D24/133
D639,684	S *	6/2011	Essel	.....	D10/64
D717,132	S *	11/2014	Van Dyke	.....	D7/708
D736,064	S *	8/2015	Wachswender	.....	D8/354
9,266,648	B2 *	2/2016	Marchionda	.....	B65D 33/1625

**OTHER PUBLICATIONS**

ProPebbles—Calle Blog, posted at lisacalle.wordpress.com, posted Nov. 23, 2015, [online], [site visited Jan. 4, 2017]. Available from Internet, <URL: <https://lisacalle.wordpress.com/2015/11/23/propebblesavailableforpreorder/>>.\*

ProPebble 1 and 1-4, posted at lisahcalle.com, posting date not given, [online], [site visited Jan. 4, 2017]. Available from Internet, <URL: <https://www.lisahcalle.com/propebble.html>>.\*

\* cited by examiner

*Primary Examiner* — Caron D Veynar

*Assistant Examiner* — Maria Edwards

(74) *Attorney, Agent, or Firm* — Baker Hostetler LLP

(57) **CLAIM**

I claim the ornamental design for a guide, as shown and described.

**DESCRIPTION**

FIG. 1 is a perspective view of a guide according to a first embodiment of my new design, the guide according to the first embodiment having a first piece and a second piece that are in an attached configuration;

FIG. 2 is a top plan view thereof, a bottom plan view being identical to the top plan view;

FIG. 3 a front elevation view thereof, a rear elevation view being a mirror image of the front elevation view;

FIG. 4 is a right side elevation view thereof;

FIG. 5 is a left side elevation view thereof;

FIG. 6 is a perspective view thereof with the first piece and the second piece of the guide according to the first embodiment in a detached configuration;

FIG. 7 is a perspective view of a guide according to a second embodiment of my new design, the guide according to the second embodiment having a first piece and a second piece that are in an attached configuration;

FIG. 8 is a top plan view thereof, a bottom plan view being identical to the top plan view;

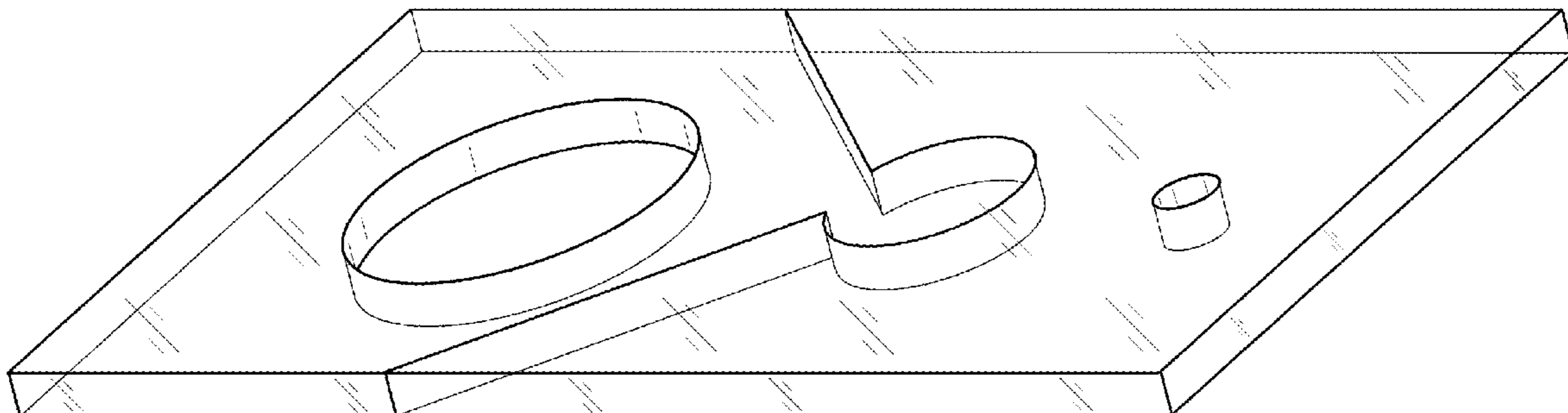
FIG. 9 a front elevation view thereof, a rear elevation view being a mirror image of the front elevation view;

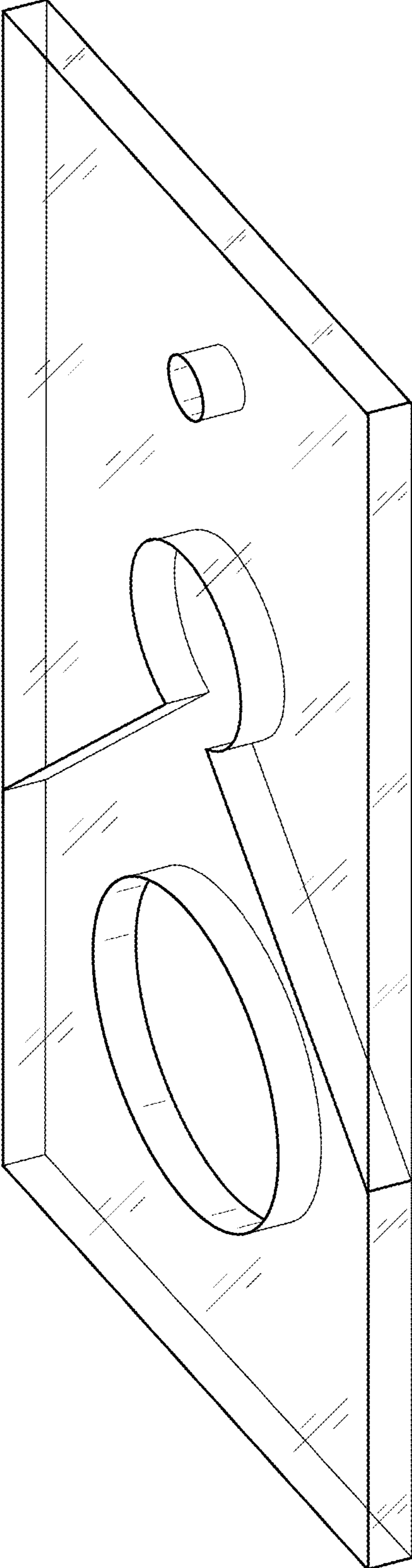
FIG. 10 is a right side elevation view thereof;

FIG. 11 is a left side elevation view thereof; and,

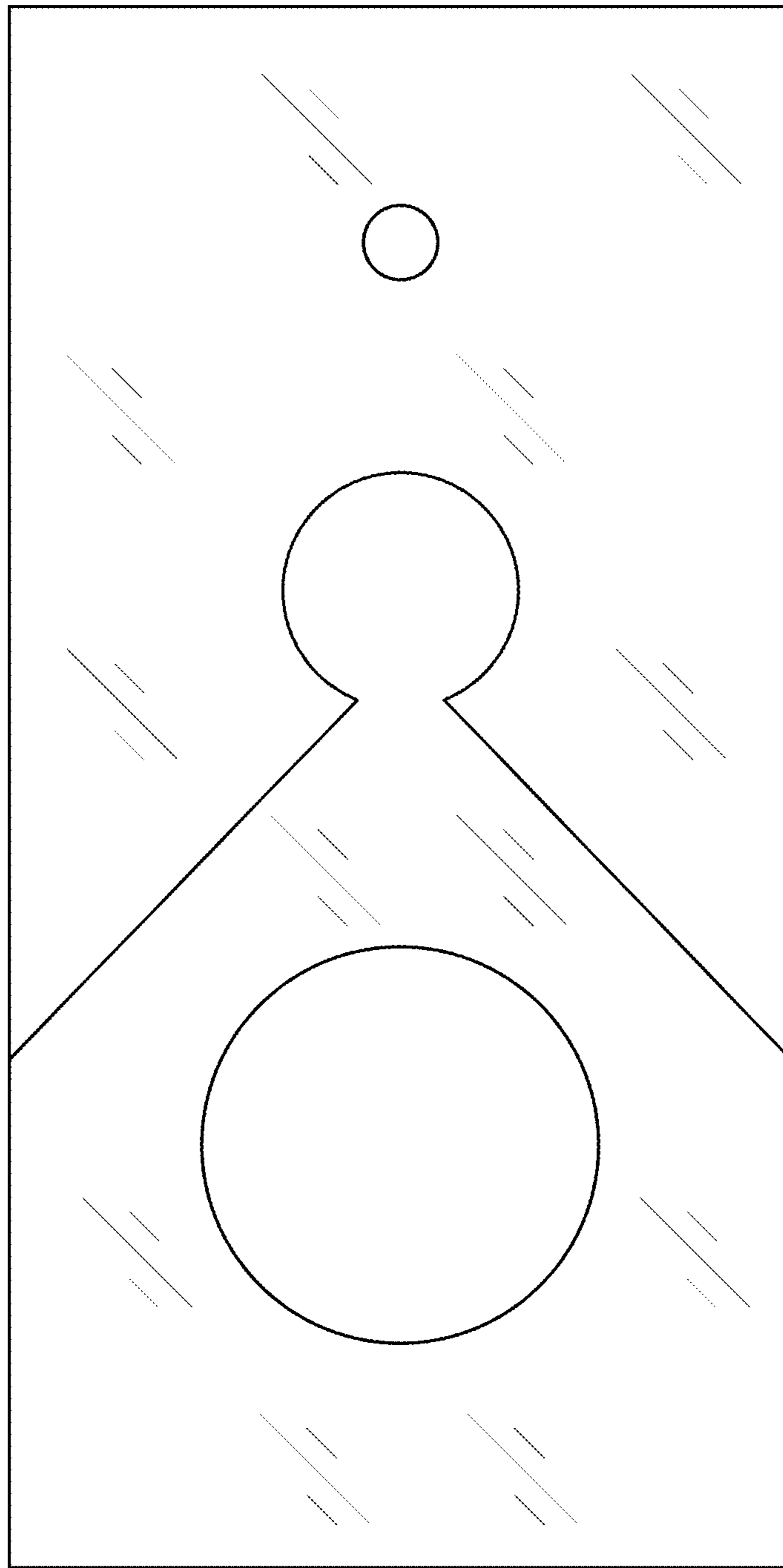
FIG. 12 is a perspective view thereof with the first piece and the second piece of the guide according to the second embodiment in a detached configuration.

**1 Claim, 10 Drawing Sheets**

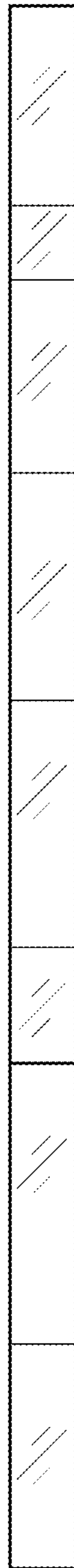




**FIG. 1**



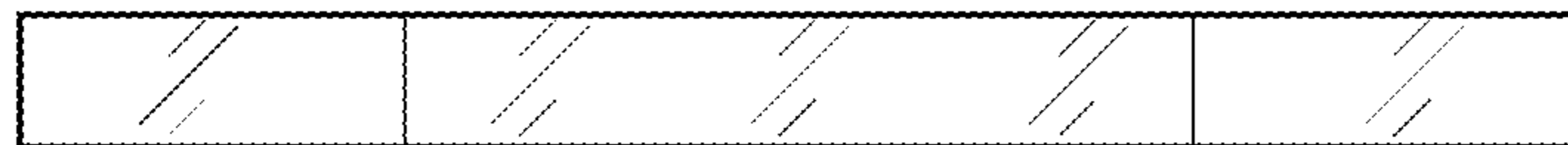
**FIG. 2**



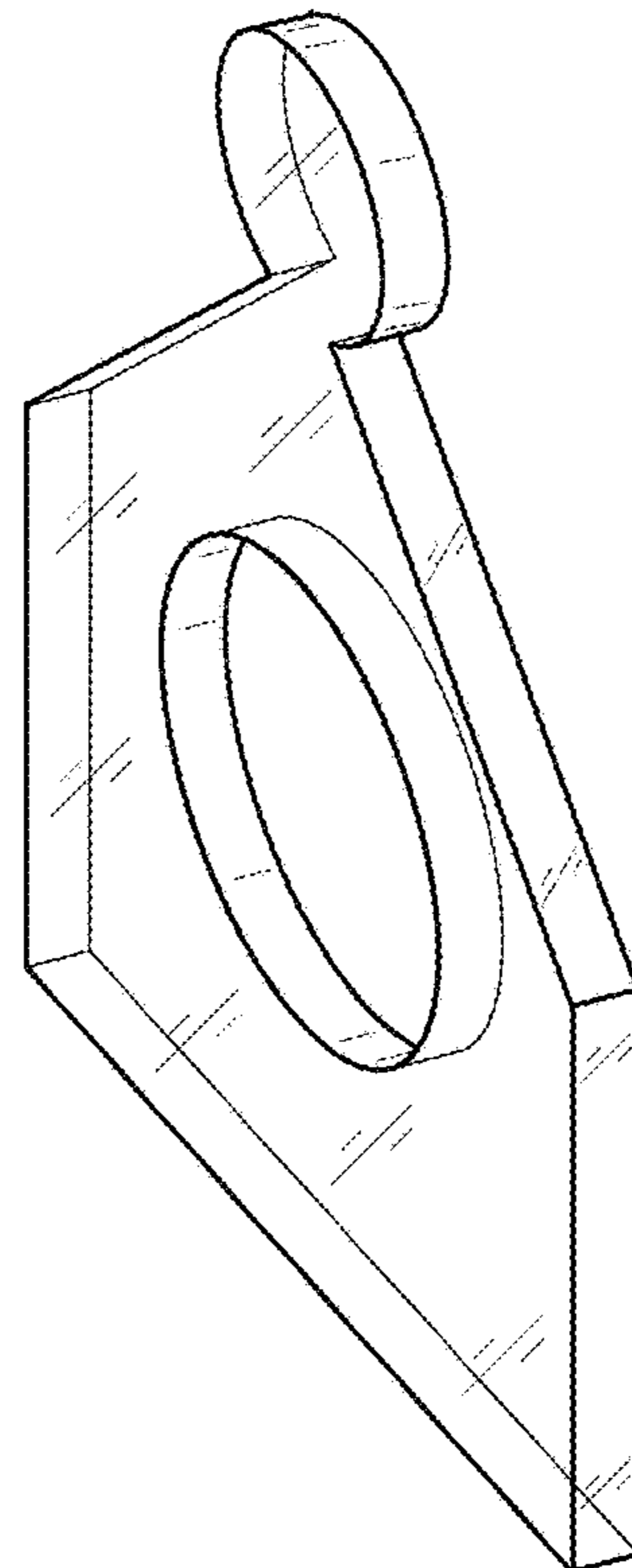
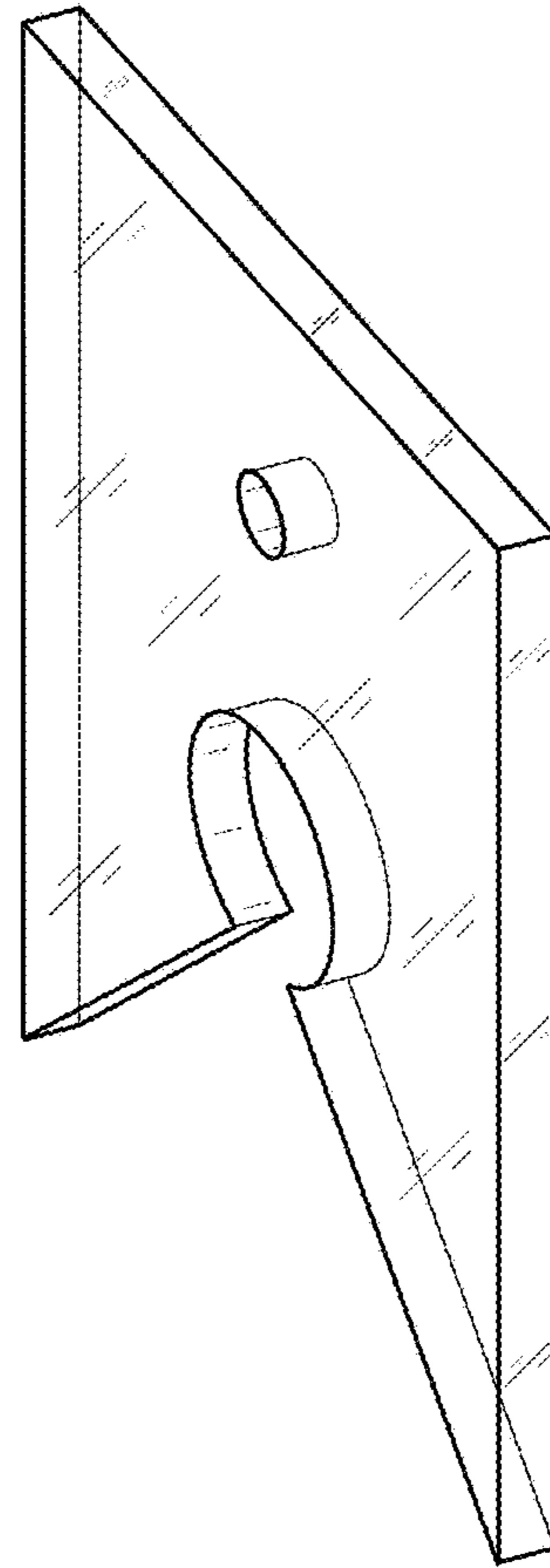
**FIG. 3**



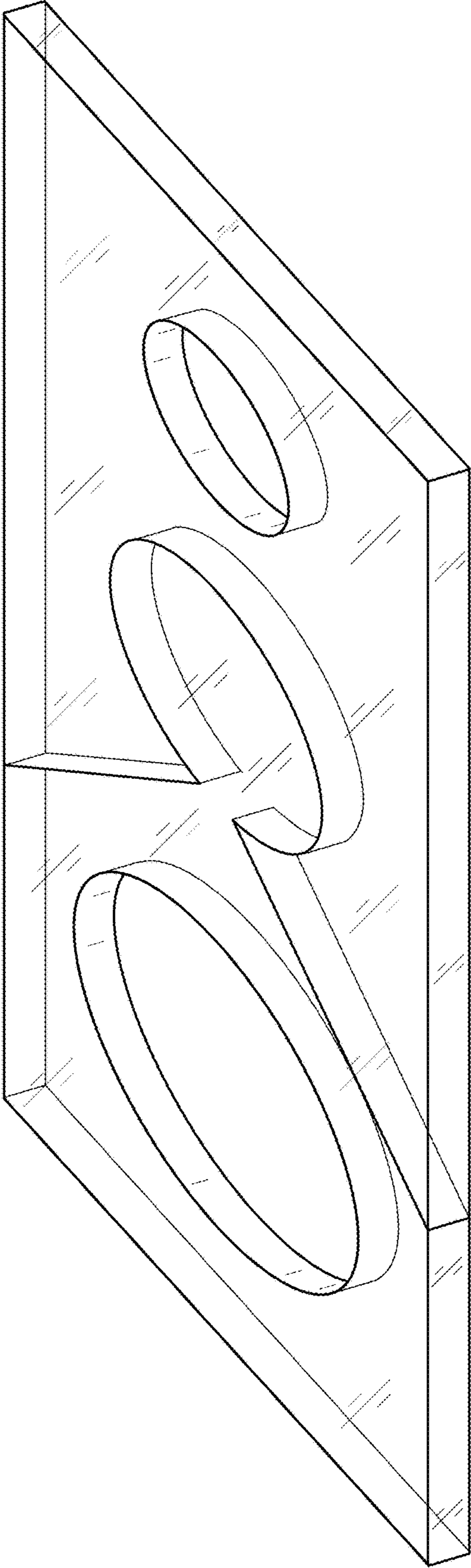
**FIG. 4**



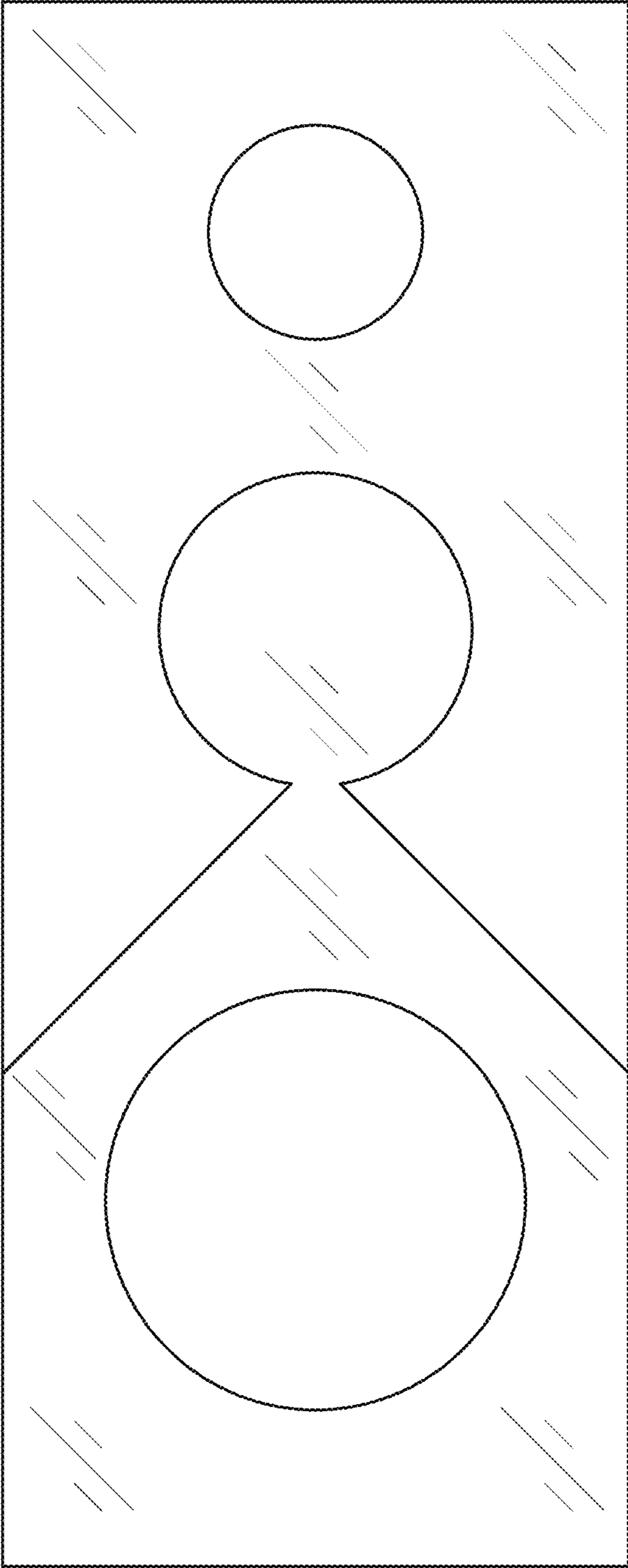
**FIG. 5**



**FIG. 6**

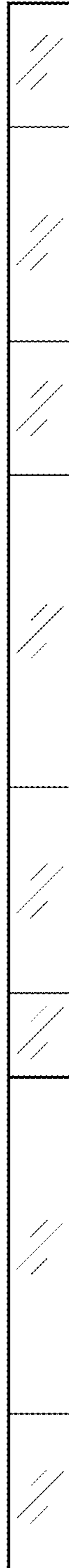


**FIG. 7**

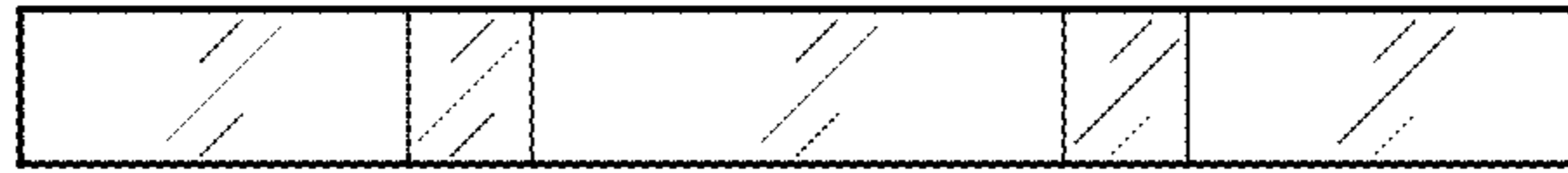


**FIG. 8**





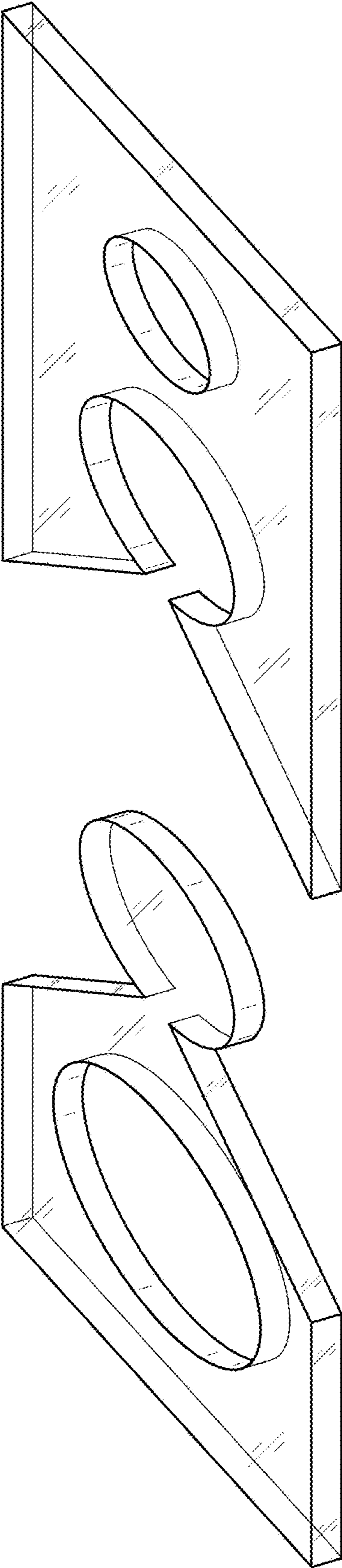
**FIG. 9**



**FIG. 10**



**FIG. 11**



**FIG. 12**