



US00D788568S

(12) **United States Design Patent**
Karnani

(10) **Patent No.:** **US D788,568 S**

(45) **Date of Patent:** **** Jun. 6, 2017**

(54) **ESCUTCHEON FOR A DOOR HANDLE**

(71) Applicant: **Ashley Norton, Inc.**, Pompton Plains,
NJ (US)

(72) Inventor: **Ashish Karnani**, London (GB)

(73) Assignee: **Ashley Norton, Inc.**, Pompton Plains,
NJ (US)

(**) Term: **14 Years**

(21) Appl. No.: **29/515,074**

(22) Filed: **Jan. 20, 2015**

(51) **LOC (10) Cl.** **08-07**

(52) **U.S. Cl.**
USPC **D8/330; D8/352**

(58) **Field of Classification Search**
USPC D8/330, 331, 336, 338, 339, 340, 343,
D8/350-353, 300, 301; 70/14, 20, 51,
70/57, 57.1, 91, 107, 141, 472, 277,
70/279.1, 284-286, 314, DIG. 44; 292/2,
292/32, 137, 288, 289, 290, 292
CPC G05B 19/00; G05B 15/00; E05B 49/00;
E05B 49/02; E05B 9/00; E05B 17/00;
E05B 37/00; E05B 3/00; E05B 13/103;
E05B 1/00; E05B 47/00; Y10T 70/8324;
Y10T 70/8459; Y10T 70/8514; Y10T
70/8568

See application file for complete search history.

(56) **References Cited**

U.S. PATENT DOCUMENTS

- 3,899,907 A * 8/1975 Pahl E05B 9/084
70/370
- D256,915 S * 9/1980 Needleman D14/224
- D271,374 S * 11/1983 Butts D8/353
- 4,530,223 A * 7/1985 Oliver E05B 15/1614
70/417
- 4,688,409 A * 8/1987 Oliver E05B 15/1614
70/417

- 4,708,007 A * 11/1987 Stoia E05B 9/08
70/417
- 5,479,802 A * 1/1996 Miller E05B 9/00
29/464
- D374,392 S * 10/1996 Malay D8/352
- D411,732 S * 6/1999 Chamberlain D8/350
- 6,279,360 B1 * 8/2001 Shen E05B 3/00
292/336.3
- 6,722,170 B2 * 4/2004 Squier E05B 9/08
292/DIG. 53
- 6,840,070 B1 * 1/2005 Huang E05B 3/06
292/348
- D579,760 S * 11/2008 Roberts, III D8/350

(Continued)

Primary Examiner — Mark Goodwin

(74) *Attorney, Agent, or Firm* — McCarter & English,
LLP

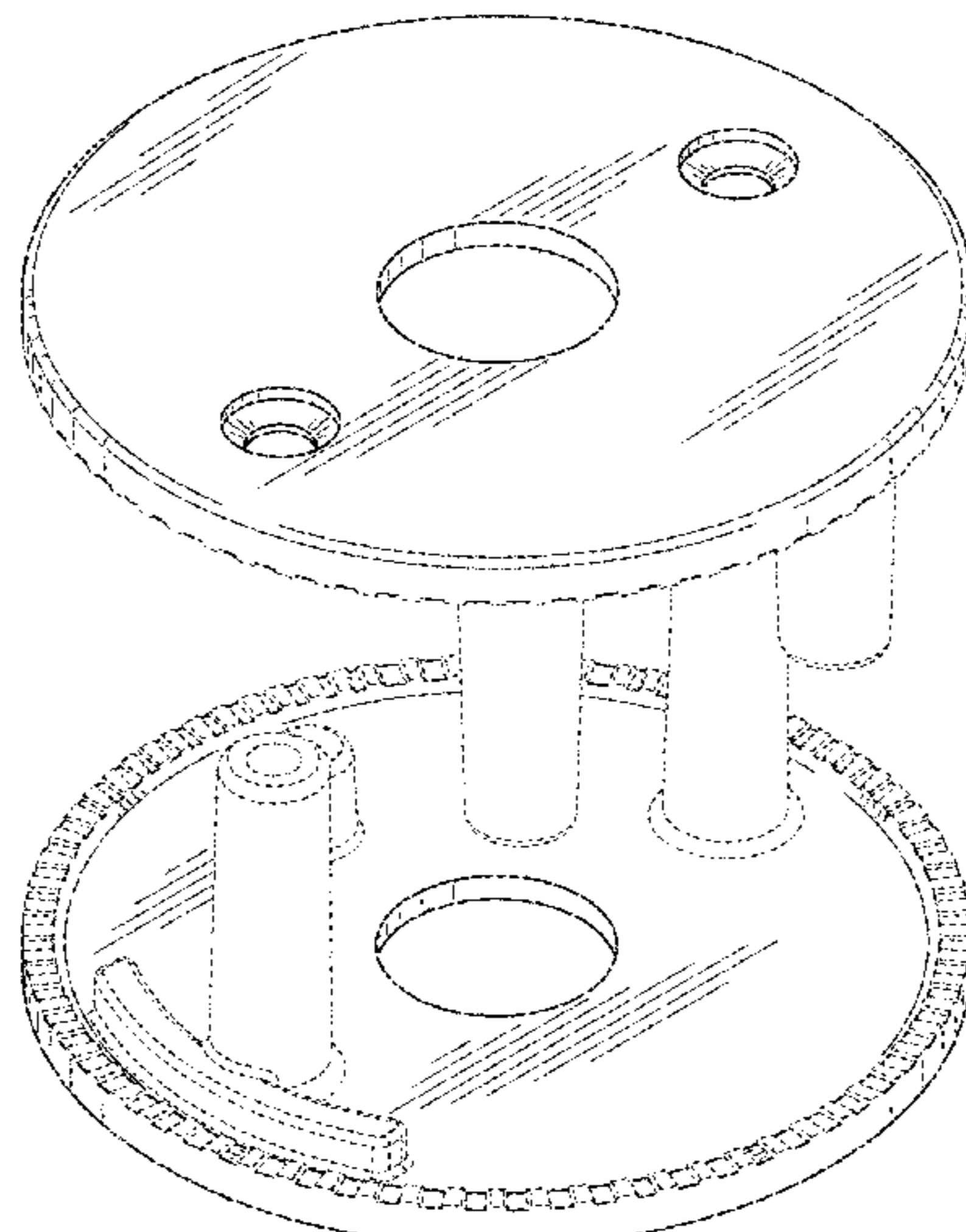
(57) **CLAIM**

The ornamental design for an escutcheon for a door handle,
as shown and described.

DESCRIPTION

FIG. 1 is a perspective view of the escutcheon for a door handle, with broken lines shown for illustrative purposes only and forming no part of the claimed design;
 FIG. 2 is a rear view thereof;
 FIG. 3 is a front view thereof;
 FIG. 4 is a right side view thereof;
 FIG. 5 is a left side view thereof;
 FIG. 6 is a top view thereof;
 FIG. 7 is a bottom view thereof;
 FIG. 8 is a perspective view of the escutcheon for a door handle, with broken lines shown for illustrative purposes only and forming no part of the claimed design;
 FIG. 9 is a rear view thereof;
 FIG. 10 is a front view thereof;
 FIG. 11 is a right side view thereof;
 FIG. 12 is a left side view thereof;
 FIG. 13 is a top view thereof; and,
 FIG. 14 is a bottom view thereof.

1 Claim, 12 Drawing Sheets



(56)

References Cited

U.S. PATENT DOCUMENTS

D626,633 S *	11/2010	Montgomery	D23/254
D678,752 S *	3/2013	Sedwick	D23/249
D703,026 S *	4/2014	Wu	D8/350
D736,590 S *	8/2015	Roberts, III	D8/330
D737,657 S *	9/2015	Nadgouda	D8/331
D738,186 S *	9/2015	Nadgouda	D8/331
D756,747 S *	5/2016	Wu	D8/352
D756,749 S *	5/2016	Lu	D8/331
2004/0201230 A1 *	10/2004	Wu	E05B 15/02 292/357

* cited by examiner

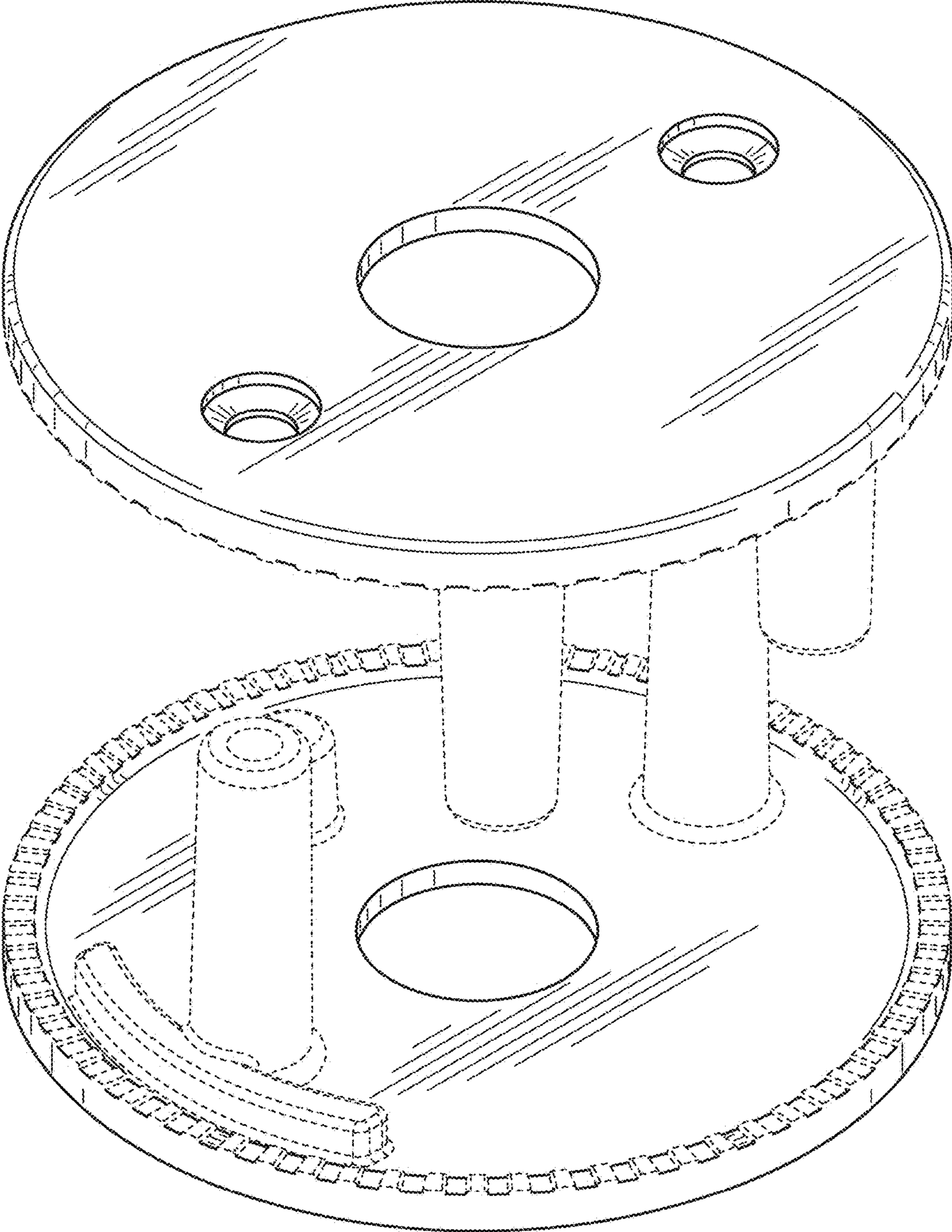


FIG. 1

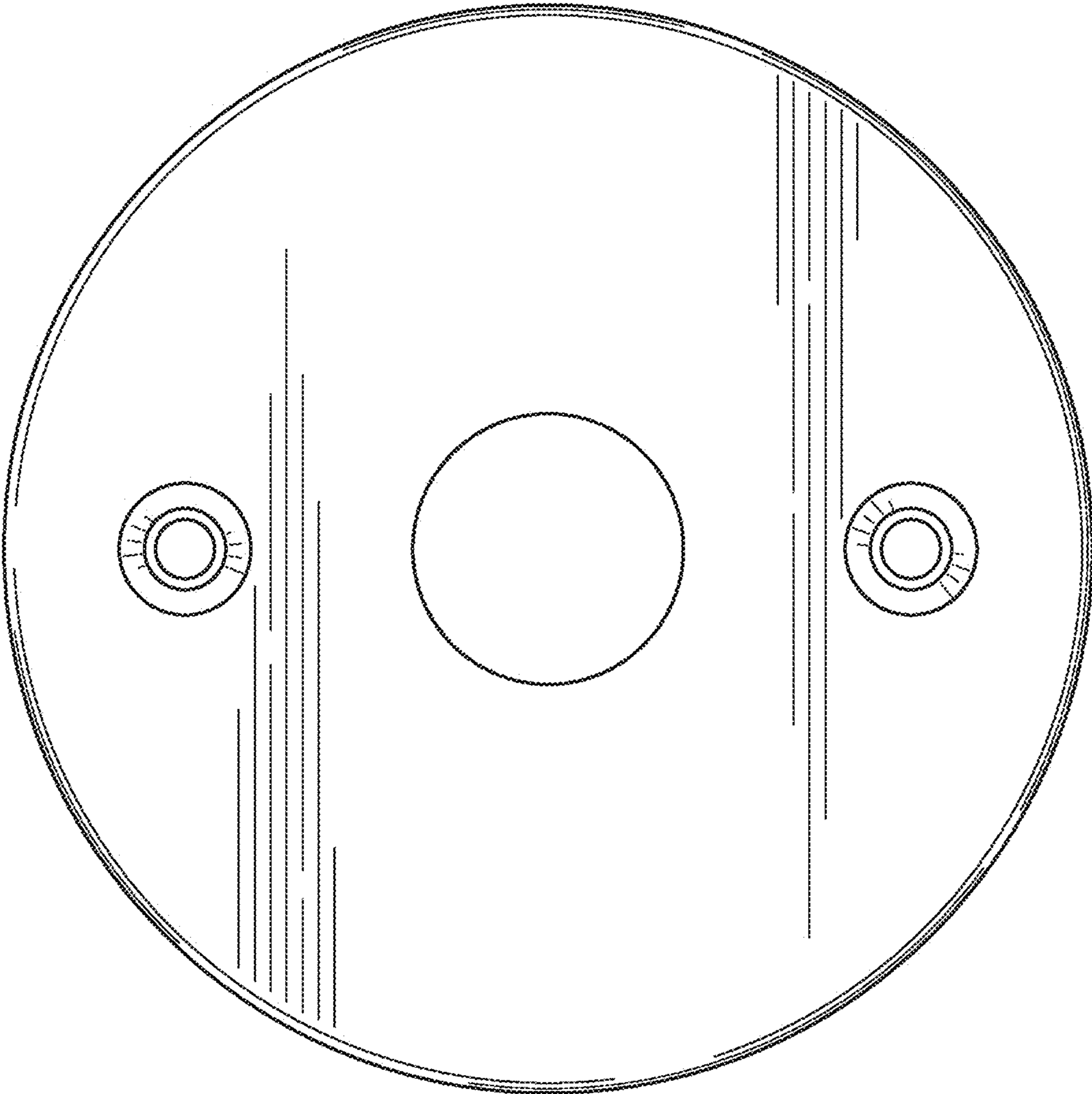


FIG. 2

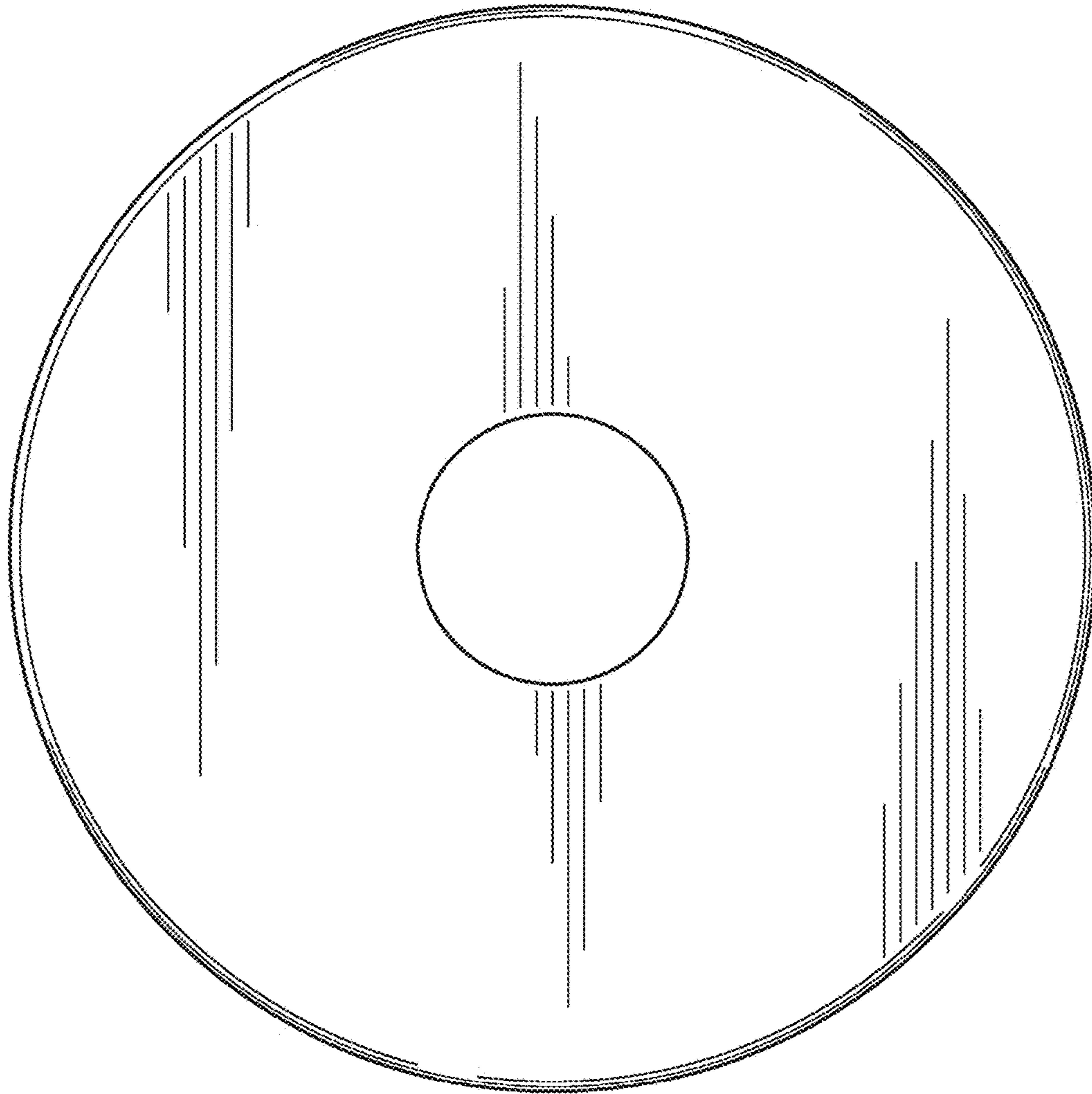


FIG. 3

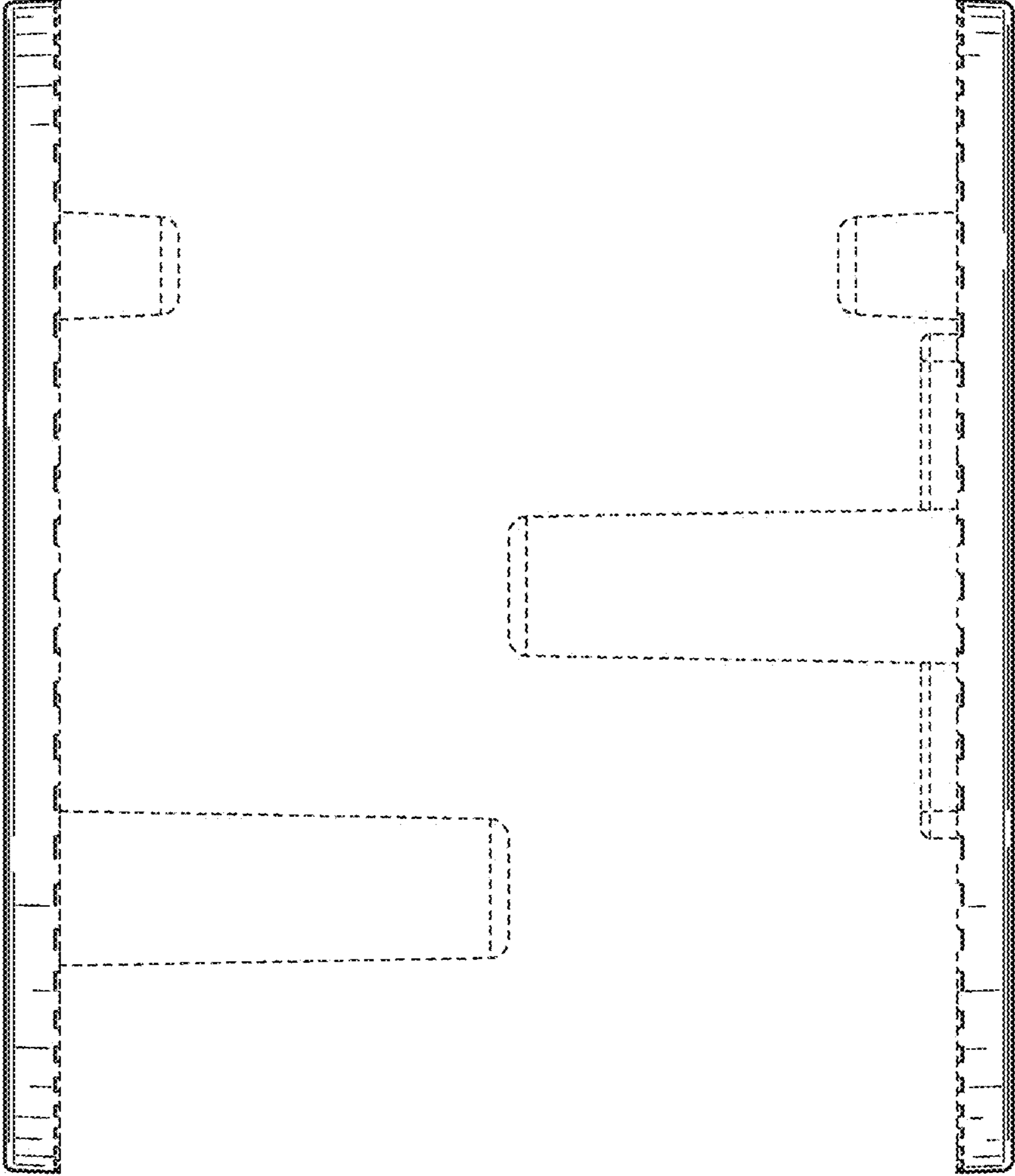


FIG. 4

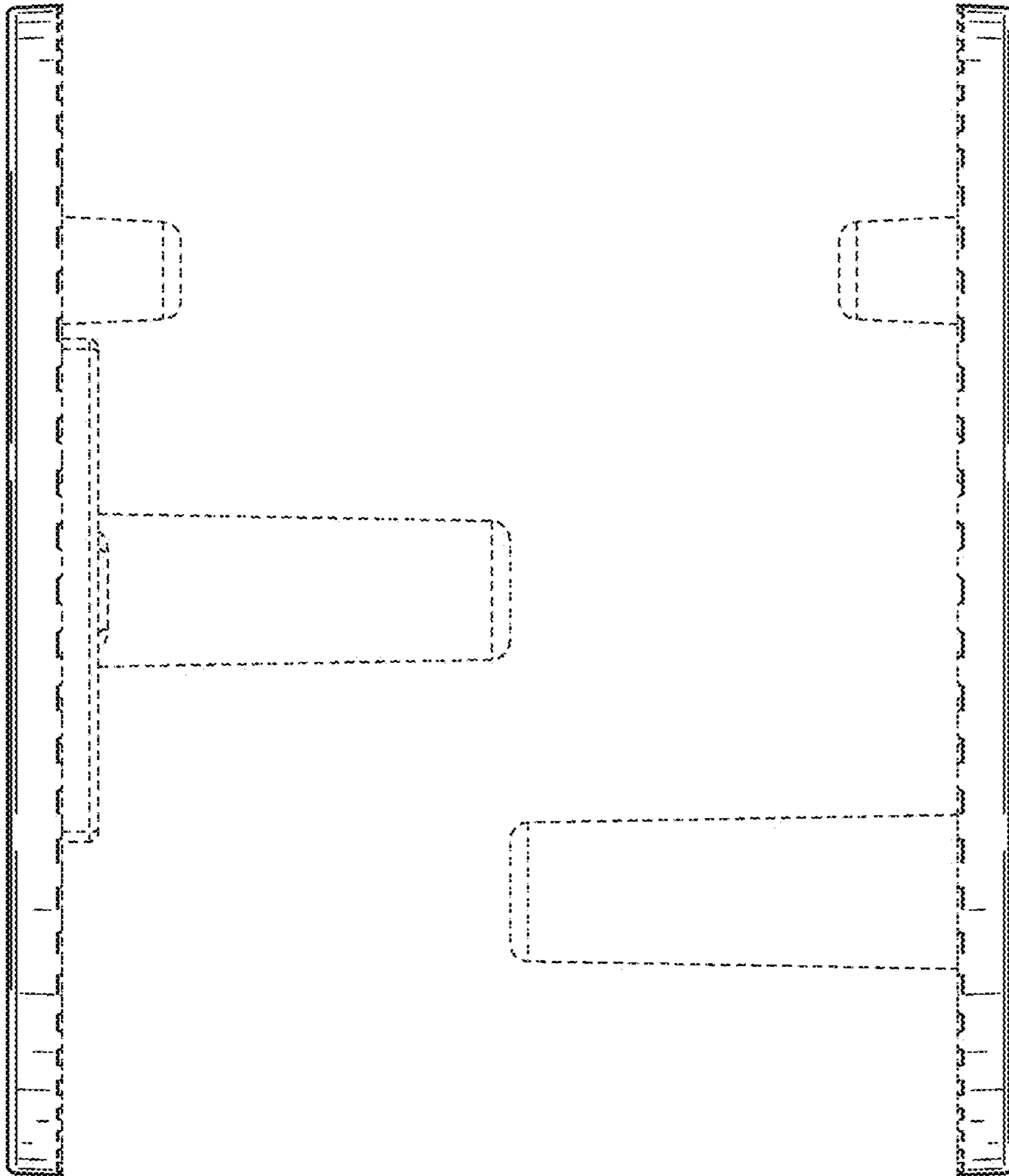


FIG. 5

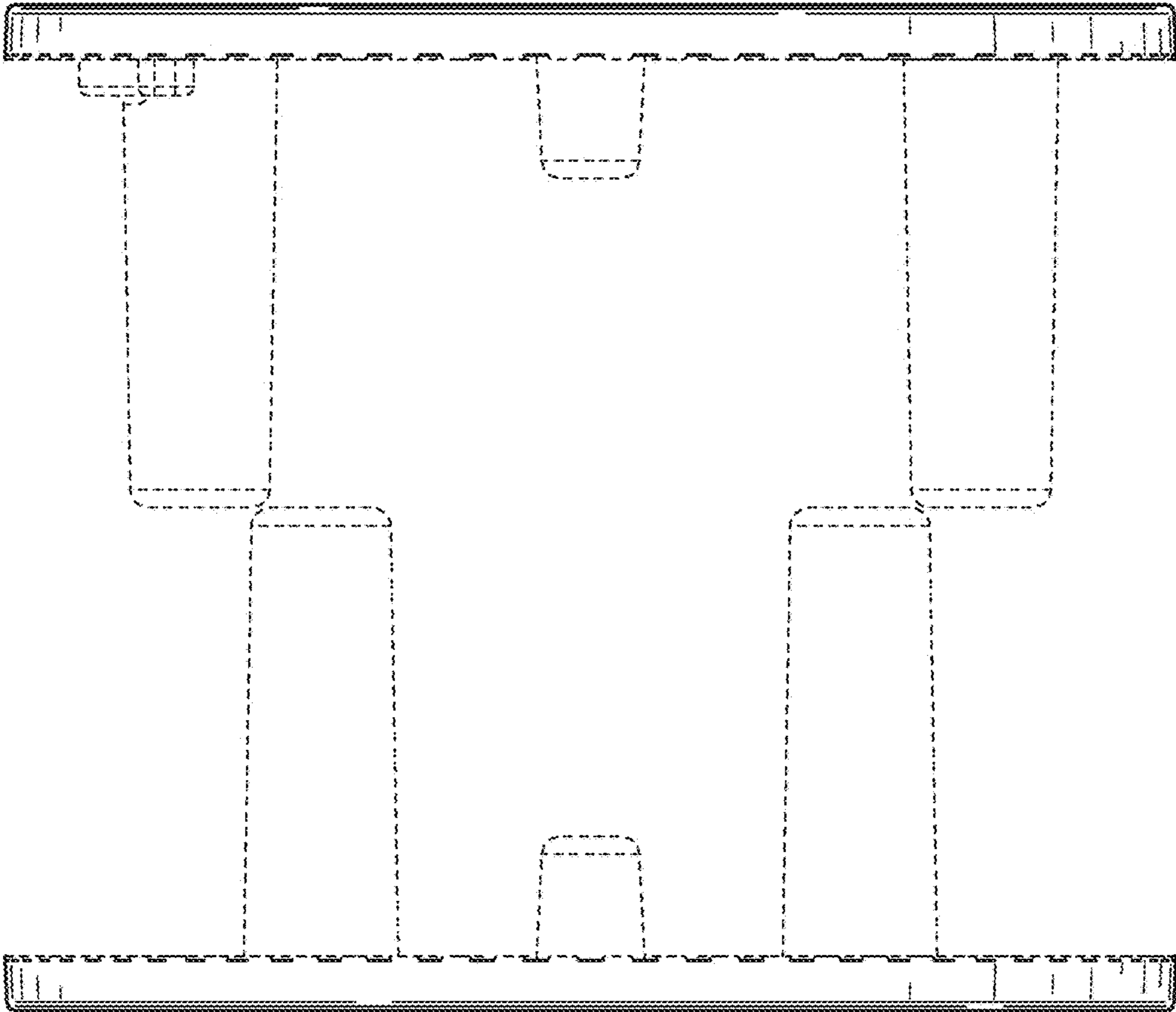


FIG. 6

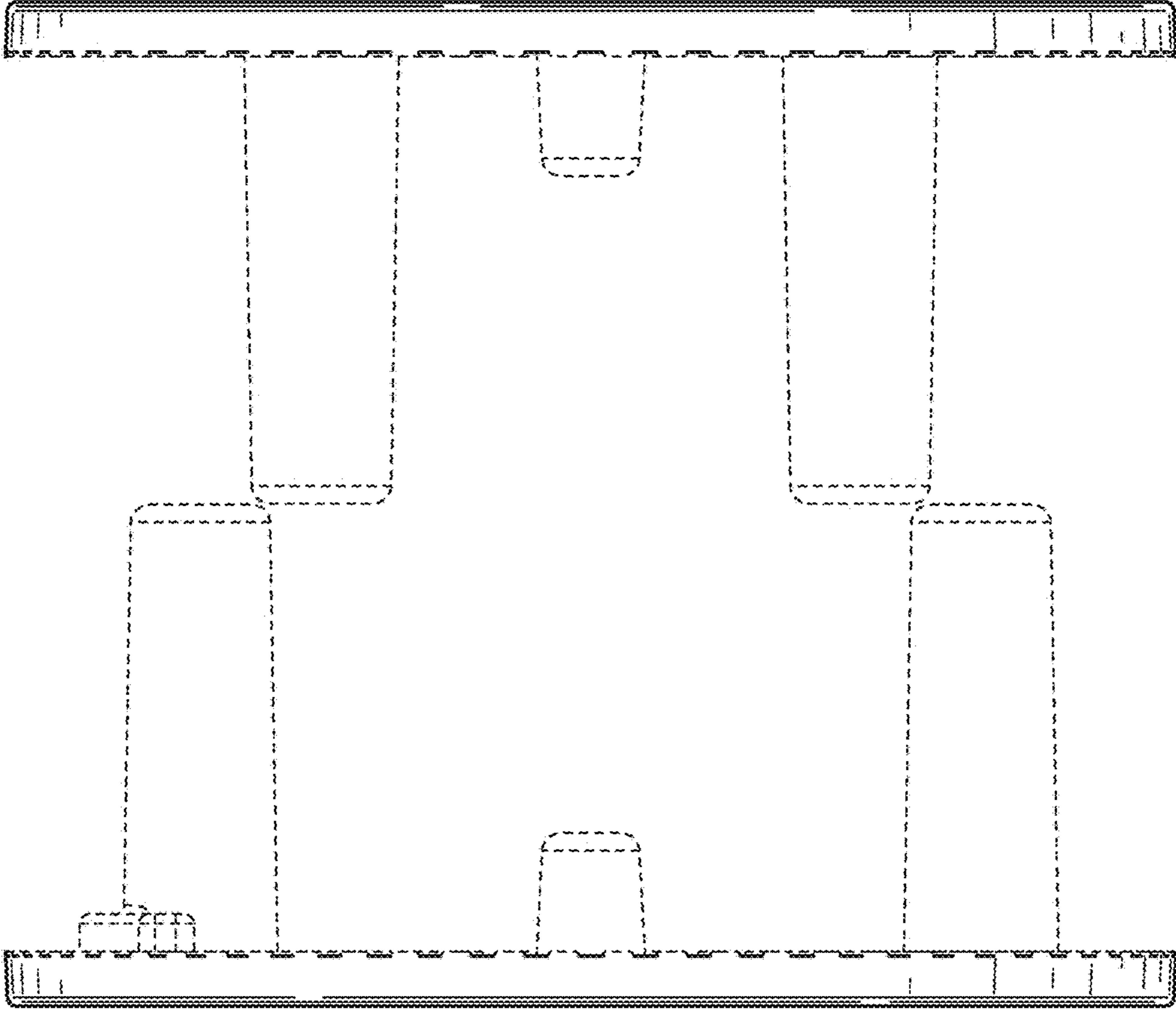


FIG. 7

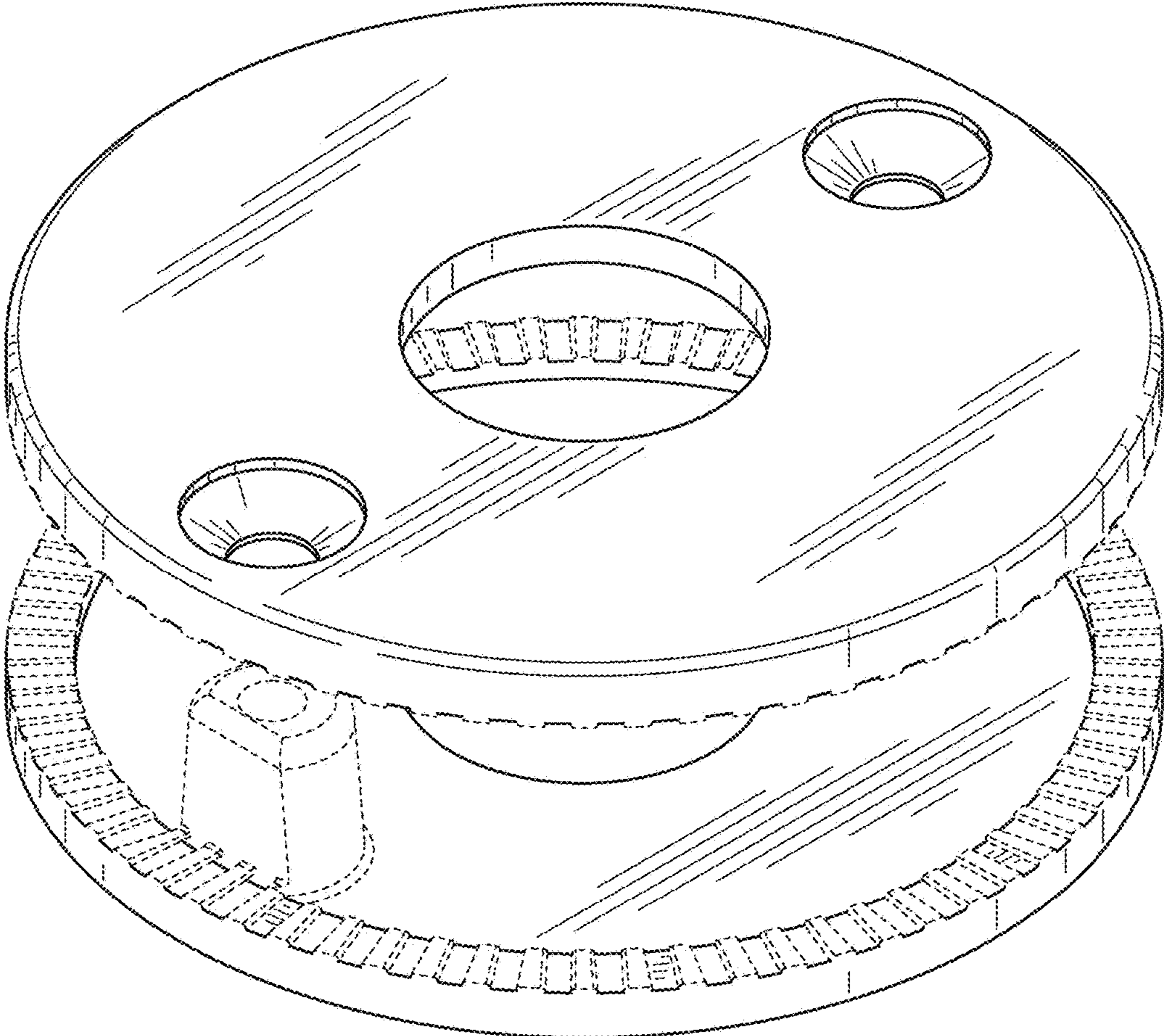


FIG. 8

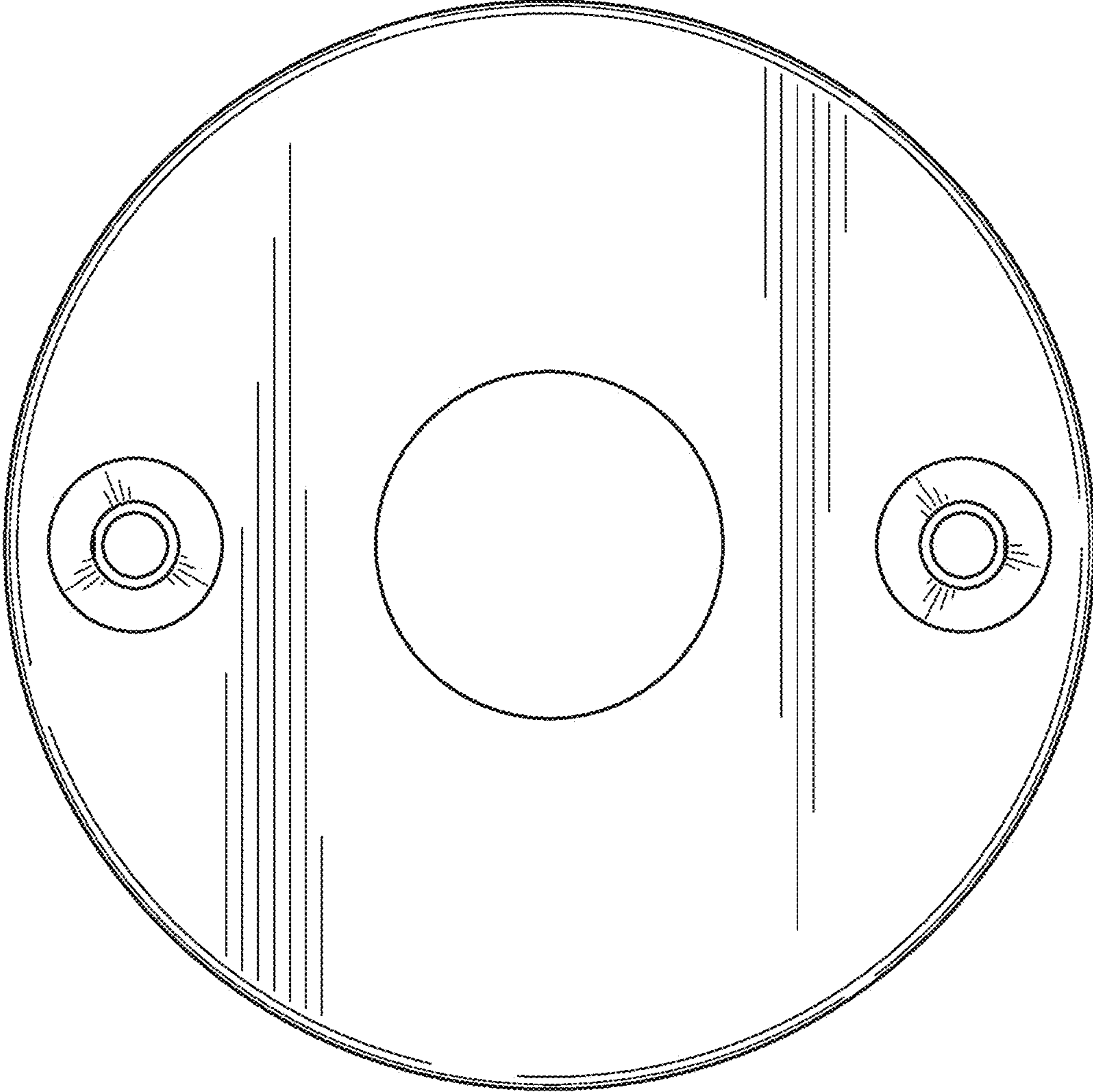


FIG. 9

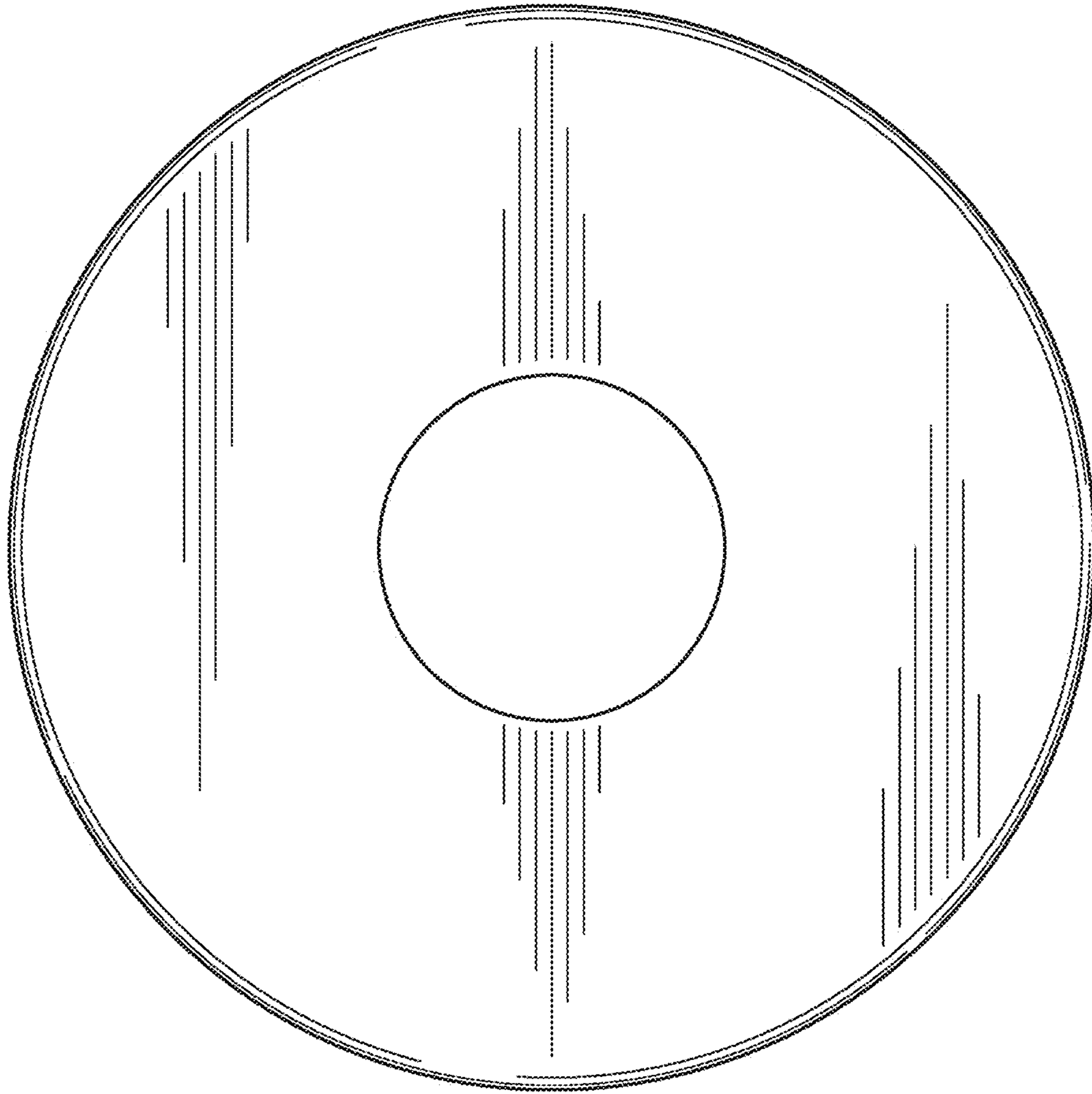


FIG. 10

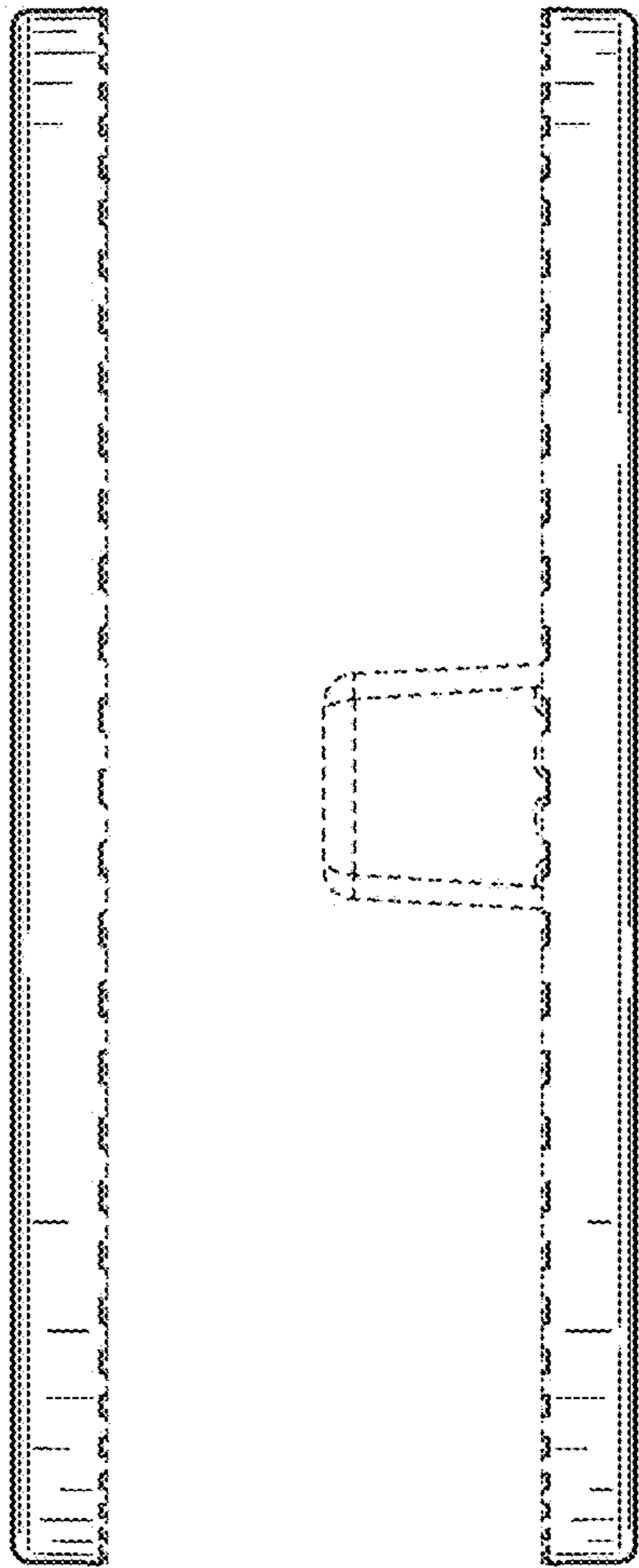


FIG. 11

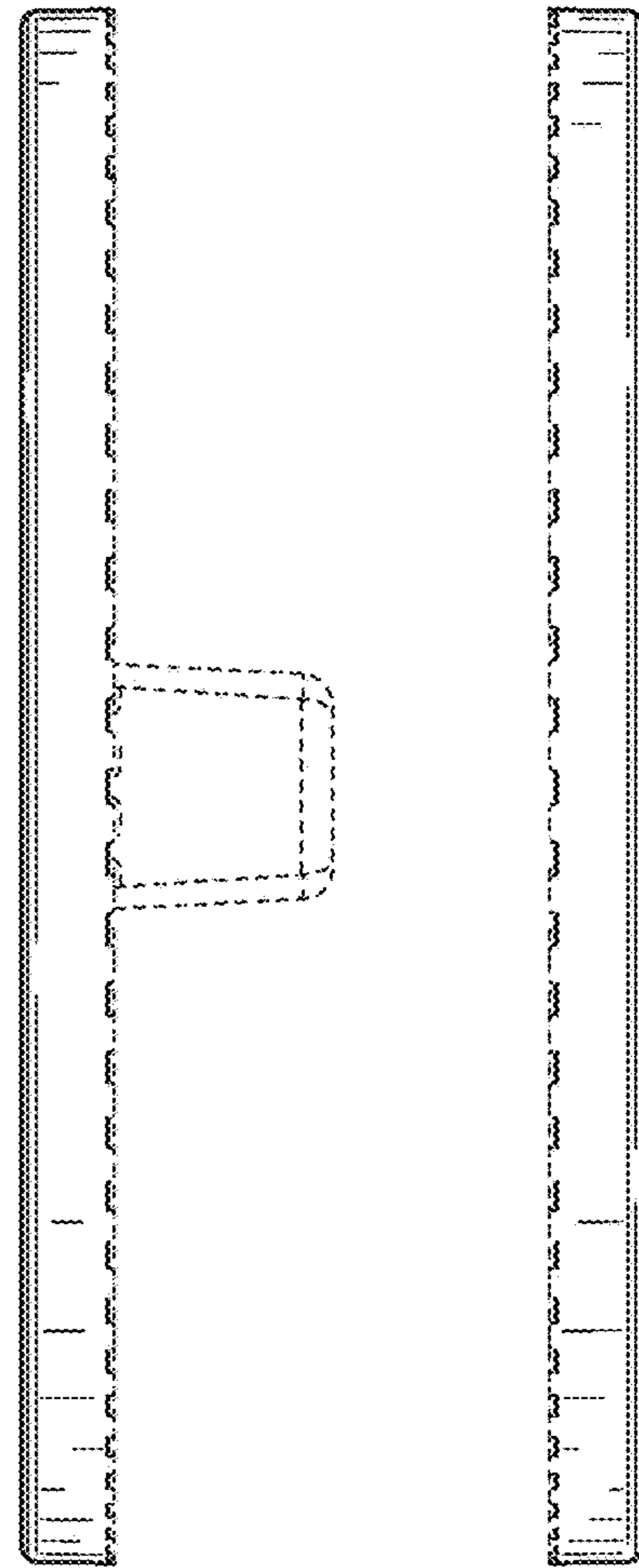


FIG. 12

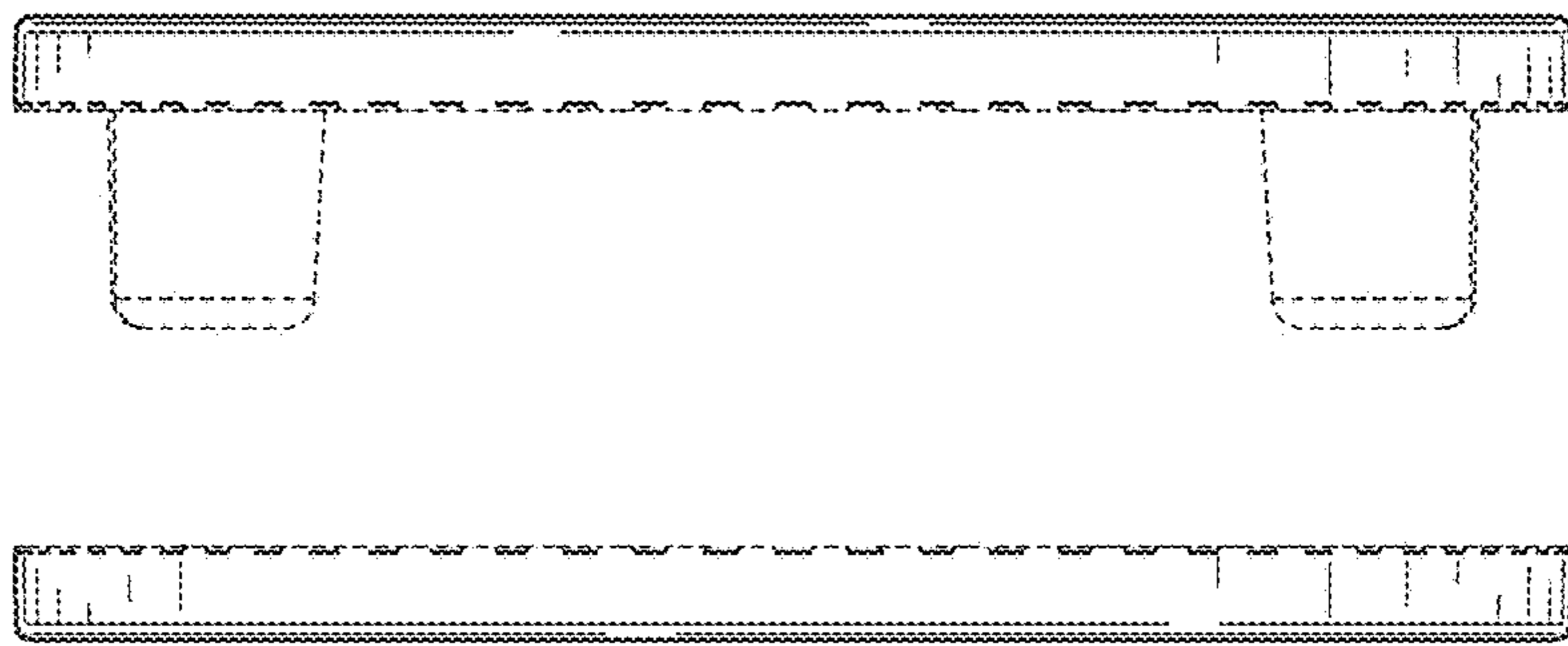


FIG. 13

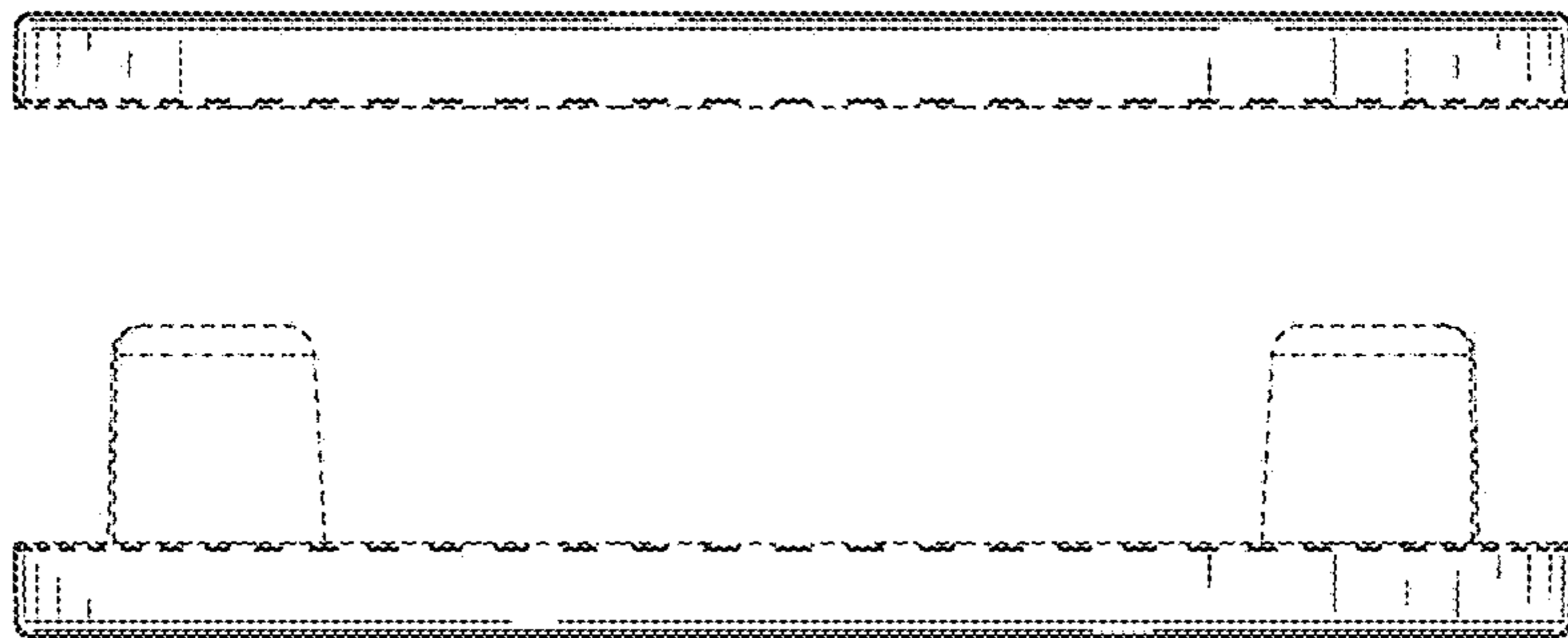


FIG. 14