



US00D788565S

(12) **United States Design Patent** (10) **Patent No.:** **US D788,565 S**
Hsu et al. (45) **Date of Patent:** **** Jun. 6, 2017**

(54) **HANDLESET** 85/12; E05B 85/10; E05B 7/00; E05B 1/0053; E05B 77/265

(71) Applicant: **Spectrum Brands, Inc.**, Middleton, WI (US) See application file for complete search history.

(72) Inventors: **Wei Hsu**, Lake Forest, CA (US); **Andy Chen**, Xiamen (CN)

(73) Assignee: **Spectrum Brands, Inc.**, Middleton, WI (US)

(**) Term: **15 Years**

(21) Appl. No.: **29/552,421**

(22) Filed: **Jan. 22, 2016**

(51) **LOC (10) Cl.** **08-06**

(52) **U.S. Cl.**
USPC **D8/302**

(58) **Field of Classification Search**
USPC D8/300-302, 307-309, 310, 311, D8/DIG. 10, 331, 338; D23/250, 252; 292/336.3; 74/523, 543; 70/192, 201, 70/206, 207; 16/110.1, 412, 416, 16/DIG. 30

CPC Y10T 16/44; Y10T 74/20612; Y10T 74/20732; Y10T 16/458; Y10T 16/498; Y10T 16/469; Y10T 16/476; Y10T 74/20744; Y10T 74/20864; Y10T 16/4628; Y10T 74/20642; Y10T 16/473; Y10T 74/20762; Y10T 74/2042; Y10T 74/20828; Y10T 16/459; Y10T 16/4713; Y10T 74/2014; Y10T 16/50; Y10T 74/20438; Y10T 74/20582; Y10T 74/20738; Y10T 16/48; Y10T 74/20618; Y10T 74/20684; Y10T 74/20624; Y10T 74/20468; Y10T 16/61; Y10T 16/4719; Y10T 16/86; Y10S 16/30; Y10S 292/31; Y10S 292/53; Y10S 16/12; Y10S 292/23; Y10S 292/27; Y10S 292/30; Y10S 292/63; E05B 85/16; E05B 1/0015; E05B 77/06; E05B 79/06; E05B 85/18; E05B

(56) **References Cited**

U.S. PATENT DOCUMENTS

D178,660 S *	9/1956	Hillgren	D8/302
D300,113 S	3/1989	Halsted et al.	
D300,114 S	3/1989	Halsted et al.	
D300,115 S	3/1989	Halsted et al.	
D350,890 S *	9/1994	Boeri	D8/302
D351,980 S *	11/1994	Molteni	D8/302
D499,950 S *	12/2004	Roberts, III	D8/302
D501,634 S *	2/2005	Denoual	D8/302
D521,355 S	5/2006	Gehry	
D554,972 S	11/2007	Pezzetta	
D579,302 S	10/2008	Roberts, III	
D596,918 S	7/2009	Menzies	
D648,613 S	11/2011	Ortiz-Ochoa	

(Continued)

Primary Examiner — Derrick Holland

Assistant Examiner — Lauren Calve

(74) *Attorney, Agent, or Firm* — Banner & Witcoff, Ltd.

(57) **CLAIM**

The ornamental design for a handset, as shown and described.

DESCRIPTION

FIG. 1 is a front perspective view of a handset showing our new design;

FIG. 2 is a front view thereof;

FIG. 3 is a right side view thereof;

FIG. 4 is a left side view thereof;

FIG. 5 is a top plan view thereof; and,

FIG. 6 is a bottom plan view thereof.

The broken line showing of the interior well surfaces of the handset, including the unshaded region immediately adjacent the circular edge, is for environmental purposes only and forms no part of the claimed design.

1 Claim, 4 Drawing Sheets



(56)

References Cited

U.S. PATENT DOCUMENTS

D664,420 S * 7/2012 Mattson D8/302
D680,414 S 4/2013 Han
D743,237 S * 11/2015 Cummings D8/302
2004/0004359 A1* 1/2004 Wartian E05C 1/12
292/336.3

* cited by examiner

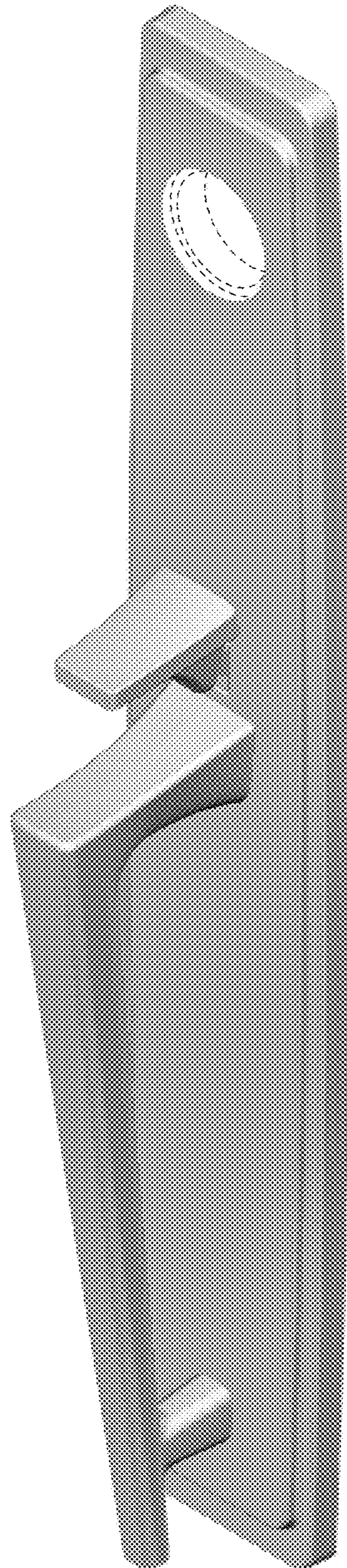


FIG. 1

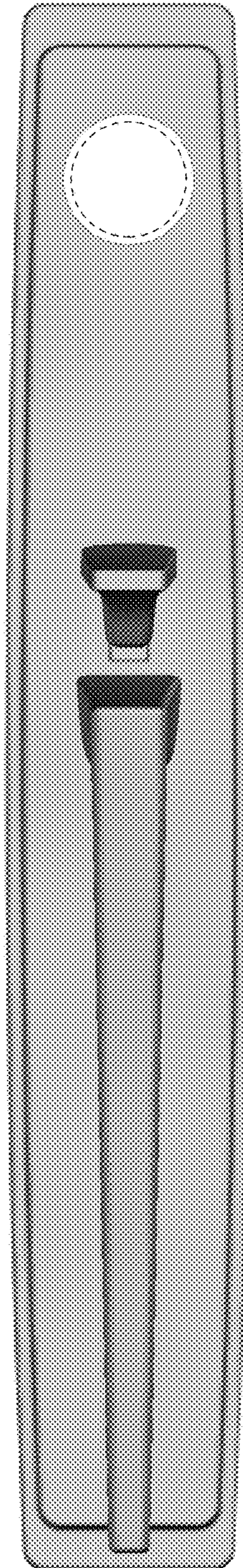


FIG. 2

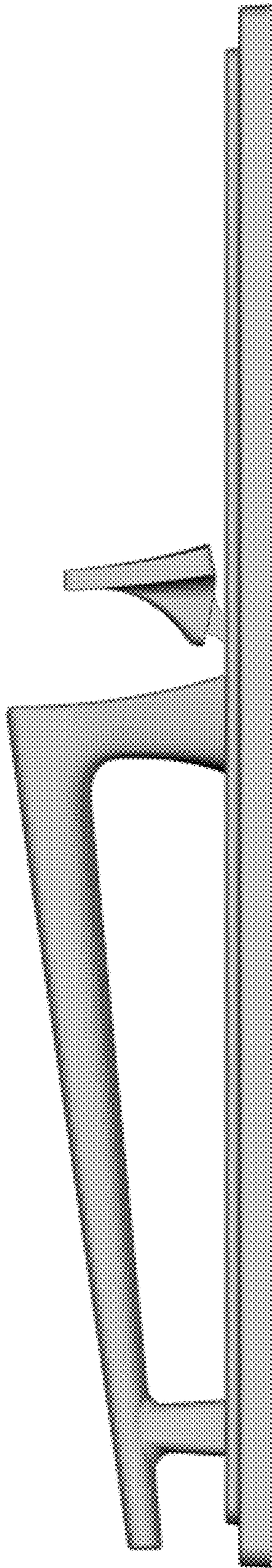


FIG. 3

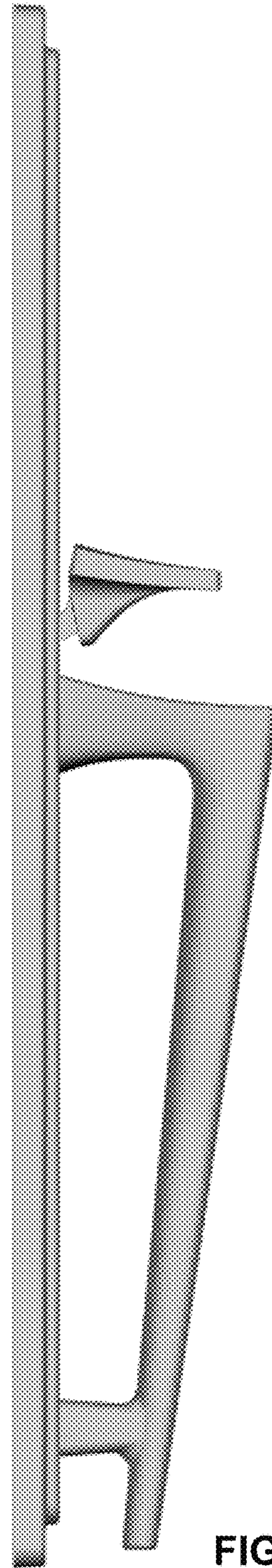


FIG. 4

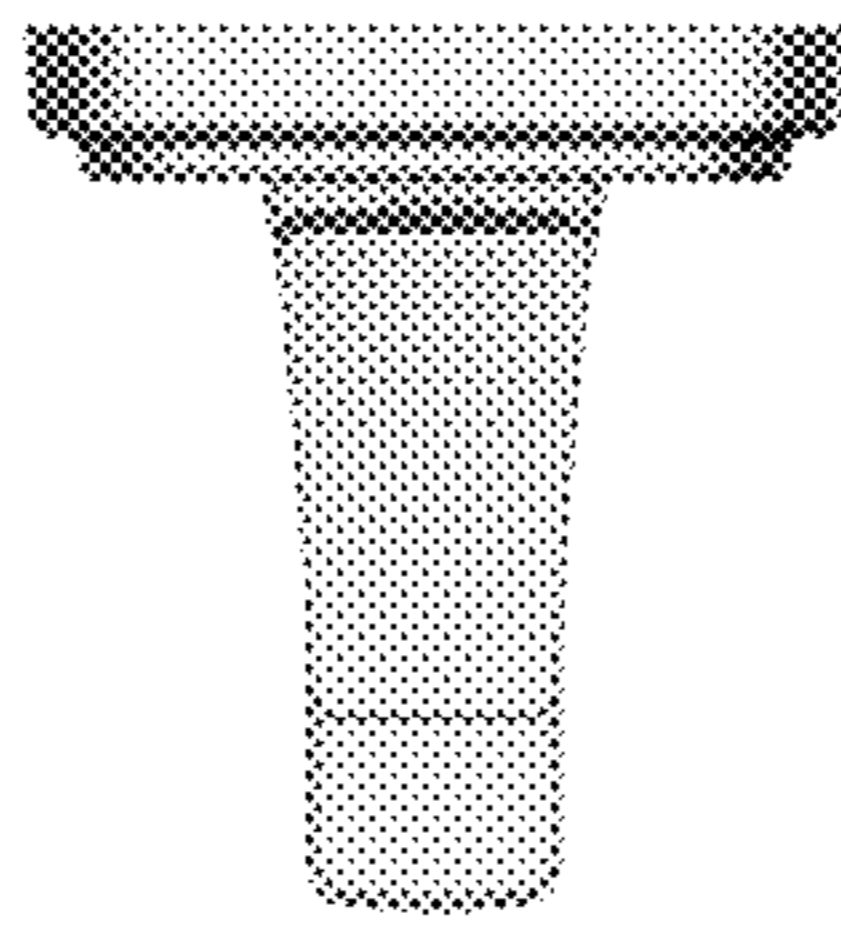


FIG. 5

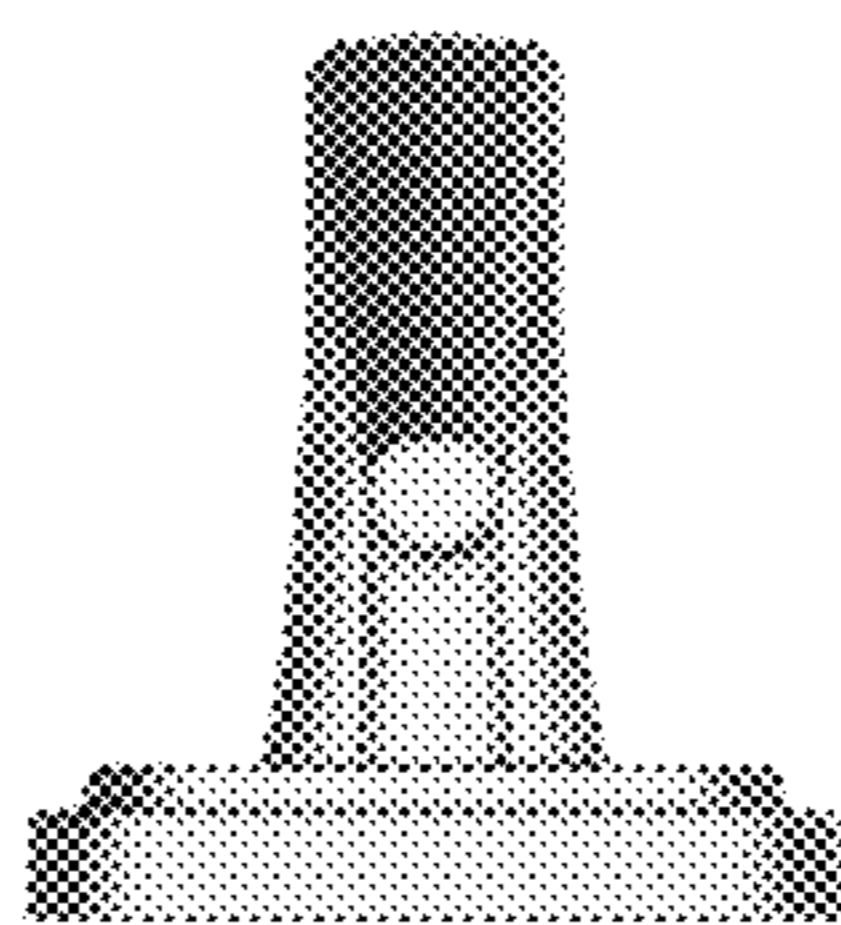


FIG. 6