



US00D788564S

(12) **United States Design Patent** (10) **Patent No.:** **US D788,564 S**
Demers et al. (45) **Date of Patent:** **** Jun. 6, 2017**

(54) **TOOL HANDLE**

(56)

References Cited

(71) Applicant: **LOWE'S COMPANIES, INC.**,
Mooresville, NC (US)

U.S. PATENT DOCUMENTS

(72) Inventors: **Brian Joseph Demers**, Huntersville,
NC (US); **Joseph Allen Berlepsch**,
Mooresville, NC (US)

106,079 A	8/1870	Sapp	
106,099 A	8/1870	Warren	
110,289 A	12/1870	Root	
114,283 A	5/1871	Gallaghee	
D41,494 S	6/1911	Seeley	
1,253,453 A	1/1918	Zorn	
1,257,948 A	2/1918	Aaron	
1,273,713 A	7/1918	Aaron	
D57,252 S	3/1921	Myers	
D59,774 S	11/1921	Rice	
D59,827 S	11/1921	Evenden et al.	
1,674,485 A	6/1928	Smith	
D92,822 S	7/1934	Morse	
D94,156 S	12/1934	Manning	
2,361,682 A *	10/1944	Grabec	B44C 1/16 156/209
D142,590 S	10/1945	Simon	
D151,860 S *	11/1948	Stoyer	D8/68
D152,155 S	12/1948	Jacoff	
D177,537 S	4/1956	Schinske	
D180,805 S *	8/1957	Plassman	D8/68
3,082,652 A	3/1963	Marti	
D199,088 S	9/1964	Hurlbut	
3,398,601 A *	8/1968	Schroeder	B62D 1/065 16/431
D218,009 S	7/1970	Bosack	
3,530,739 A *	9/1970	Meier	B62D 1/06 74/552
D233,507 S	11/1974	Stevens, Jr.	
D246,691 S	12/1977	Takahashi	
D271,843 S	12/1983	Ferdinand et al.	
D282,236 S	1/1986	Shohoji et al.	
D288,769 S	3/1987	Doman	
D288,770 S	3/1987	Doman	
D289,136 S	4/1987	Doman	
D301,967 S	7/1989	Sakamoto	
D316,020 S	4/1991	Fushiya et al.	
5,084,935 A	2/1992	Kalthoff	
D324,411 S	3/1992	Jolibois	
D325,506 S	4/1992	Michas et al.	
D328,559 S	8/1992	Wilson	
D329,590 S	9/1992	Chapman	
D358,746 S	5/1995	Neff	
D365,742 S	1/1996	Decursu et al.	
D375,269 S	11/1996	Wertheim et al.	
5,579,556 A	12/1996	Chung	
5,582,834 A	12/1996	Leung et al.	
D378,268 S *	3/1997	Schultz	D8/68
D387,734 S	12/1997	Hawkins et al.	

(73) Assignee: **LOWE'S COMPANIES, INC.**,
Mooresville, NC (US)

(**) Term: **15 Years**

(21) Appl. No.: **29/530,843**

(22) Filed: **Jun. 19, 2015**

Related U.S. Application Data

(62) Division of application No. 29/472,387, filed on Nov. 12, 2013, now Pat. No. Des. 735,553, which is a division of application No. 29/406,984, filed on Nov. 21, 2011, now Pat. No. Des. 696,596, which is a division of application No. 29/390,549, filed on Apr. 26, 2011, now Pat. No. Des. 652,702, which is a division of application No. 29/361,192, filed on May 6, 2010, now Pat. No. Des. 639,132, which is a division of application No. 29/318,754, filed on May 27, 2008, now Pat. No. Des. 617,623, which is a division of application No. 29/249,420, filed on Oct. 5, 2006, now Pat. No. Des. 589,322.

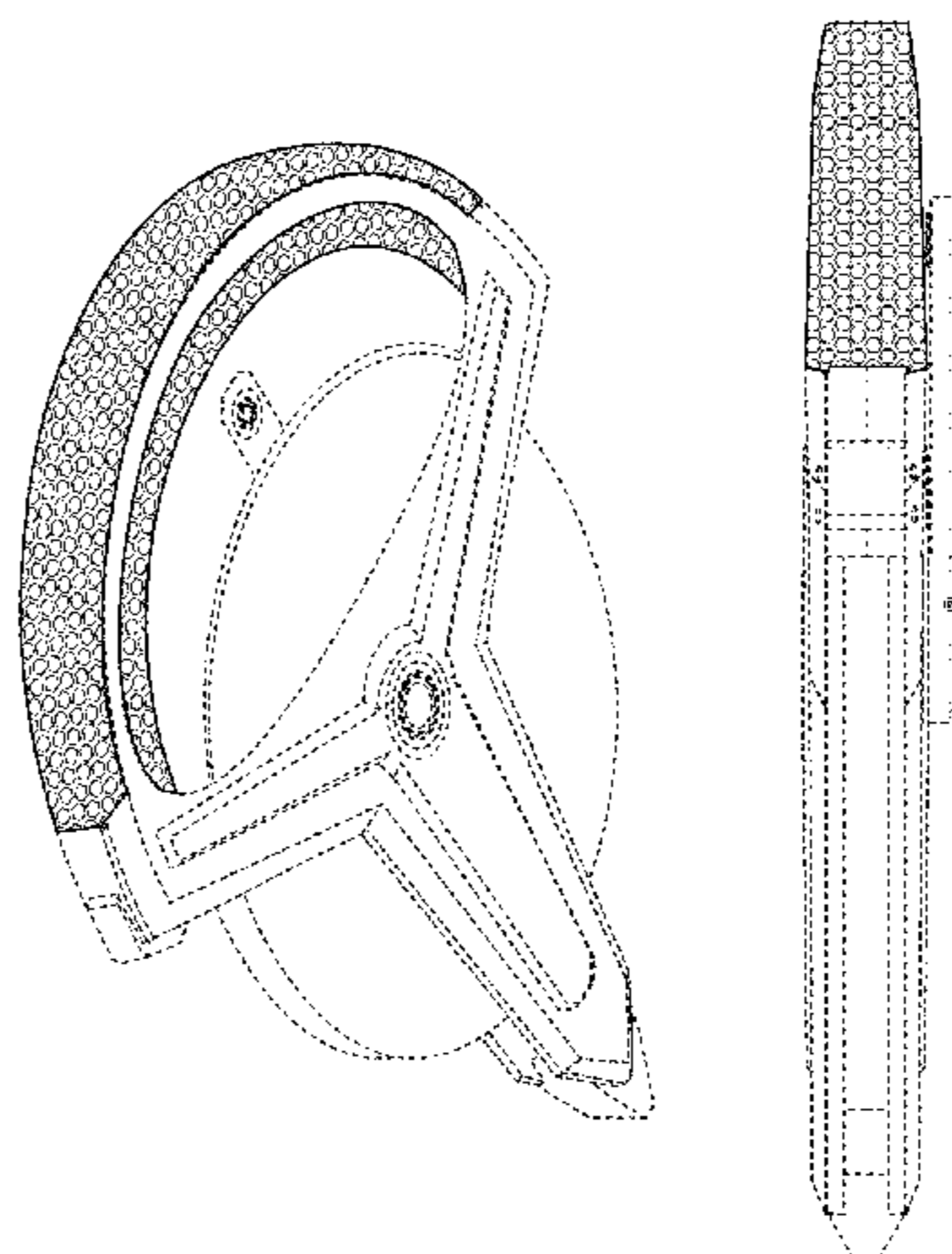
(51) **LOC (10) Cl.** **08-05**

(52) **U.S. Cl.**
USPC **D8/107**

(58) **Field of Classification Search**

USPC D8/107, 68, 80, 90, 97, 105, 303;
16/430, 431, 422, 421; 482/49, 44, 22,
482/50, 20, 148; 446/267, 369; 156/209
CPC A45C 13/26; A47B 95/02; B25G 1/10;
B25G 1/00

See application file for complete search history.



US D788,564 S

D389,394 S	1/1998	Taylor		D502,377 S	3/2005	Aglassinger	
D394,995 S	6/1998	Cooper		D503,351 S	3/2005	Chen	
D396,619 S	8/1998	Hunter		D503,897 S	4/2005	Lin	
D398,507 S	9/1998	Thompson et al.		D504,077 S	4/2005	DeBoer et al.	
D399,113 S	10/1998	Balolia		D507,195 S	7/2005	Kondo et al.	
5,839,992 A *	11/1998	Phillips	A47B 21/0371 482/49	D507,197 S	7/2005	Sun	
D406,520 S	3/1999	Bunzel et al.		D510,247 S	10/2005	White	
D407,000 S	3/1999	Jacoff		D515,383 S	2/2006	Aglassinger	
D410,859 S	6/1999	Hioki		D515,389 S	2/2006	Hsu	
D412,273 S	7/1999	Chung		D516,893 S	3/2006	Kuo	
D415,007 S *	10/1999	Jimenez	D8/107	D517,888 S	3/2006	DeBoer et al.	
D415,971 S	11/1999	Hsu		D517,889 S	3/2006	Hsieh	
D416,179 S	11/1999	Staton et al.		D519,017 S	4/2006	Hsieh	
D416,184 S	11/1999	Gathmann		D519,816 S	5/2006	Budrow et al.	
D416,776 S	11/1999	Liu		D520,856 S	5/2006	Osiecki	
D418,730 S *	1/2000	Main	D8/68	D520,859 S	5/2006	Osiecki et al.	
D418,731 S	1/2000	Rowley et al.		D521,346 S	5/2006	Budrow et al.	
D420,879 S *	2/2000	Watson	D8/68	D521,347 S	5/2006	Budrow et al.	
D421,231 S	2/2000	Hsu		7,051,626 B1	5/2006	Chen et al.	
D422,481 S	4/2000	Bertani		D522,889 S	6/2006	Wallace	
D424,401 S	5/2000	Ziemer		D523,234 S	6/2006	DeBoer et al.	
6,056,344 A *	5/2000	Forsyth	A45F 5/1046 294/137	D527,236 S	8/2006	Wu	
D429,134 S *	8/2000	Schultz	D8/61	D528,910 S	9/2006	Kingsley	
D432,034 S	10/2000	Heimerle		D529,357 S	10/2006	Qiu	
D432,381 S	10/2000	Khachatoorian		D530,200 S	10/2006	Kingsley	
D432,883 S *	10/2000	Wingert	D8/68	D533,455 S	12/2006	Leck et al.	
6,128,808 A *	10/2000	Jansson	B25G 1/105 16/421	D533,796 S	12/2006	Radiojevic et al.	
D433,344 S	11/2000	Hsu		D534,091 S	12/2006	Ebihara	
D434,298 S *	11/2000	Izumisawa	D8/68	D536,908 S	2/2007	Eros	
6,195,562 B1	2/2001	Pirhonen et al.		D536,944 S	2/2007	Tsai et al.	
D440,848 S	4/2001	Izumisawa		D537,308 S	2/2007	Wang	
D440,856 S	4/2001	Jimenez		D537,676 S	3/2007	Kingsley	
D441,269 S	5/2001	Tsai		D537,697 S	3/2007	Jimenez	
D441,671 S	5/2001	Hsu		D538,129 S	3/2007	Jansson et al.	
D442,053 S	5/2001	Jimenez		D543,085 S	5/2007	Aglassinger	
D442,458 S	5/2001	Jimenez		D543,812 S	6/2007	Burry	
D446,942 S	8/2001	Kim		D543,828 S	6/2007	Strutin-Belinoff	
D449,546 S	10/2001	Lee		D544,383 S	6/2007	Tarver, III	
D453,880 S *	2/2002	Cheyne	D5/47	D544,770 S	6/2007	Yang	
D454,477 S	3/2002	Lin		D547,624 S	7/2007	Strahorn	
6,363,579 B1	4/2002	King, Jr.		D550,058 S	9/2007	Aglassinger	
D456,727 S	5/2002	Yang		D556,536 S	12/2007	Aglassinger	
D457,003 S	5/2002	Newman et al.		D560,127 S	1/2008	Elam	
D468,607 S	1/2003	Price et al.		D562,398 S	2/2008	Qiu et al.	
D471,784 S	3/2003	Garvis et al.		D568,715 S	5/2008	Gustafson et al.	
D471,976 S	3/2003	Pavlu et al.		D570,664 S	6/2008	Tang	
D474,412 S	5/2003	Ichinose et al.		D571,679 S	6/2008	McEwan et al.	
D474,528 S *	5/2003	Huang	D23/225	D572,553 S *	7/2008	Demers	D8/58
D475,269 S	6/2003	Matern		D572,558 S *	7/2008	Demers	D8/80
D475,598 S	6/2003	Hung		D572,559 S *	7/2008	Demers	D8/83
D477,980 S	8/2003	Chang		D572,560 S *	7/2008	Demers	D8/97
D478,292 S	8/2003	Hsu		D572,561 S *	7/2008	Demers	D8/97
D482,203 S	11/2003	Goulet		D572,563 S *	7/2008	McRoberts	D8/107
D482,259 S	11/2003	Chen		D572,613 S	7/2008	Levick et al.	
D483,633 S	12/2003	Jansson et al.		D572,614 S	7/2008	McEwan et al.	
D483,634 S	12/2003	Jansson et al.		D576,853 S	9/2008	Aglassinger	
D484,767 S	1/2004	Hsu		D578,852 S	10/2008	Enriquez	
D486,047 S	2/2004	Jansson et al.		D584,116 S	1/2009	Jackson	
D486,050 S	2/2004	Rampen		D584,592 S *	1/2009	Irby	D8/107
D486,716 S	2/2004	Levine et al.		D585,261 S	1/2009	Shih	
D487,025 S	2/2004	Grunstad et al.		D589,321 S *	3/2009	Demers	D8/107
D487,875 S	3/2004	Wang		D589,322 S *	3/2009	Demers	D8/107
D490,680 S	6/2004	Levine et al.		D590,225 S	4/2009	Sell	
D491,083 S	6/2004	Lin		D591,570 S	5/2009	Lee et al.	
6,742,222 B2	6/2004	Furr-Britt et al.		D594,304 S	6/2009	Aglassinger	
6,745,883 B2	6/2004	Eto et al.		D597,811 S	8/2009	Yu	
6,752,556 B2 *	6/2004	Pearce	A46B 5/026 16/430	D600,996 S *	9/2009	Sterling	D8/107
D492,559 S	7/2004	Itano		D604,186 S	11/2009	Schrage	
D495,226 S	8/2004	Grant et al.		D604,579 S	11/2009	Robinson et al.	
6,772,994 B1	8/2004	Lawless		D604,580 S	11/2009	Robinson et al.	
6,776,073 B1	8/2004	Brady et al.		D604,582 S *	11/2009	Chu	D8/68
6,796,002 B2 *	9/2004	Beckwith	A45C 13/26 16/110.1	D605,012 S	12/2009	Robinson et al.	
6,858,286 B1 *	2/2005	Simm	B25F 5/006 16/421	D608,616 S *	1/2010	Demers	D8/107
				D609,549 S *	2/2010	Demers	D8/107
				D615,381 S *	5/2010	Demers	D8/107
				D617,623 S *	6/2010	Demers	D8/80
				7,730,589 B2 *	6/2010	Dineen	B23B 45/001 16/430
				7,770,262 B2	8/2010	Schultz et al.	

D627,619	S	*	11/2010	Demers	D10/72
D639,132	S	*	6/2011	Demers	D8/107
D642,889	S	*	8/2011	Boehm	D8/107
D644,906	S	*	9/2011	Demers	D10/72
D644,909	S	*	9/2011	Demers	D8/107
D652,702	S	*	1/2012	Demers	D8/52
D655,994	S	*	3/2012	Schoch	D8/68
D671,387	S	*	11/2012	Demers	D8/107
8,330,029	B2		12/2012	Dunlop		
D673,436	S	*	1/2013	Murray	D8/68
D673,437	S	*	1/2013	Schoch	D8/68
8,418,321	B1	*	4/2013	Heiman	B25G 1/06 15/143.1
D696,596	S	*	12/2013	Demers	D10/72
D735,553	S	*	8/2015	Demers	D8/107
2003/0094294	A1		5/2003	Fritz		
2003/0172498	A1		9/2003	Polzin et al.		
2004/0246735	A1		12/2004	Huang		
2006/0090265	A1		5/2006	Fisher et al.		

FOREIGN PATENT DOCUMENTS

EM	000702089-0002		4/2007
JP	D1253453		2/2005
TW	144783	B	10/1990
TW	232614	B	10/1994
TW	251211	B	7/1995
TW	309829	B	7/1997
TW	390769	B	5/2000
TW	391820	B	5/2000
TW	403527	B	8/2000
TW	405983	B	9/2000
TW	433951	B	5/2001
TW	440312	B	6/2001
TW	440384	B	6/2001
TW	443904	B	6/2001
TW	453826	B	9/2001
TW	478775	B	3/2002
TW	539445	B	6/2003
TW	542548	B	7/2003
TW	D106099		8/2004
TW	D110289		4/2005
TW	D106079		8/2005
TW	D114283		12/2005

OTHER PUBLICATIONS

Taiwanese Search Report for Design Application No. 096301934, dated Nov. 28, 2008.

* cited by examiner

Primary Examiner — Paula Greene
(74) *Attorney, Agent, or Firm* — Moore & Van Allen PLLC; W. Kevin Ransom

(57) **CLAIM**

The ornamental design for a tool handle, as shown and described.

DESCRIPTION

FIG. 1 is a perspective view of a first embodiment of the tool handle according to the present invention;
FIG. 2 is an elevational view of the front side of the tool handle of FIG. 1;
FIG. 3 is an elevational view of the rear side of the tool handle of FIG. 1;
FIG. 4 is an elevational view of the right side of the tool handle of FIG. 1;
FIG. 5 is a plan view of the top side of the tool handle of FIG. 1;
FIG. 6 is an elevational view the left side of the tool handle of FIG. 1; and,
FIG. 7 is a plan view of the bottom side of the tool handle of FIG. 1.

The broken lines shown in the drawings illustrate unclaimed portions of the tool handle and environmental structure, and form no part of the claimed design.

1 Claim, 7 Drawing Sheets

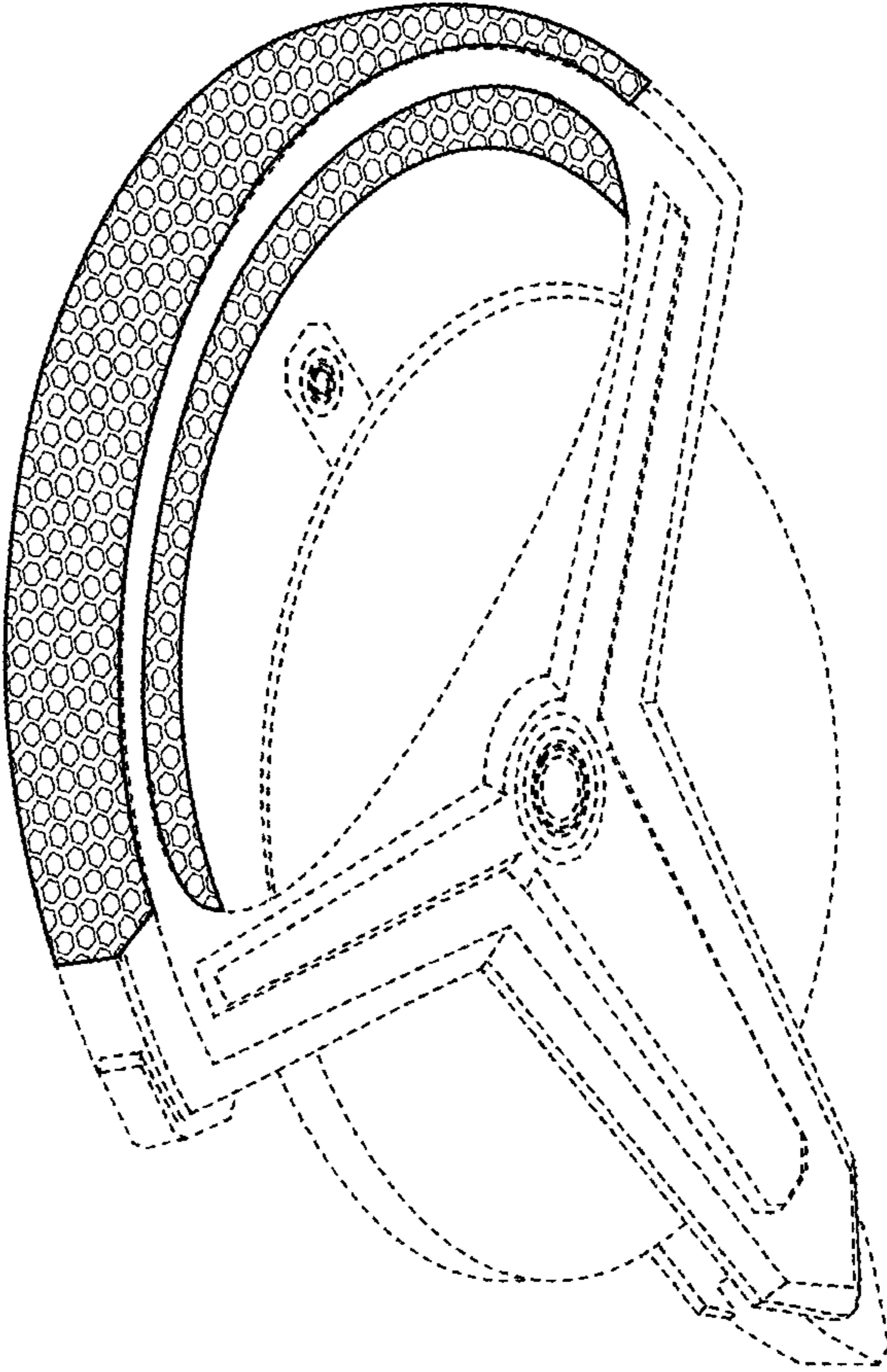


FIG. 1

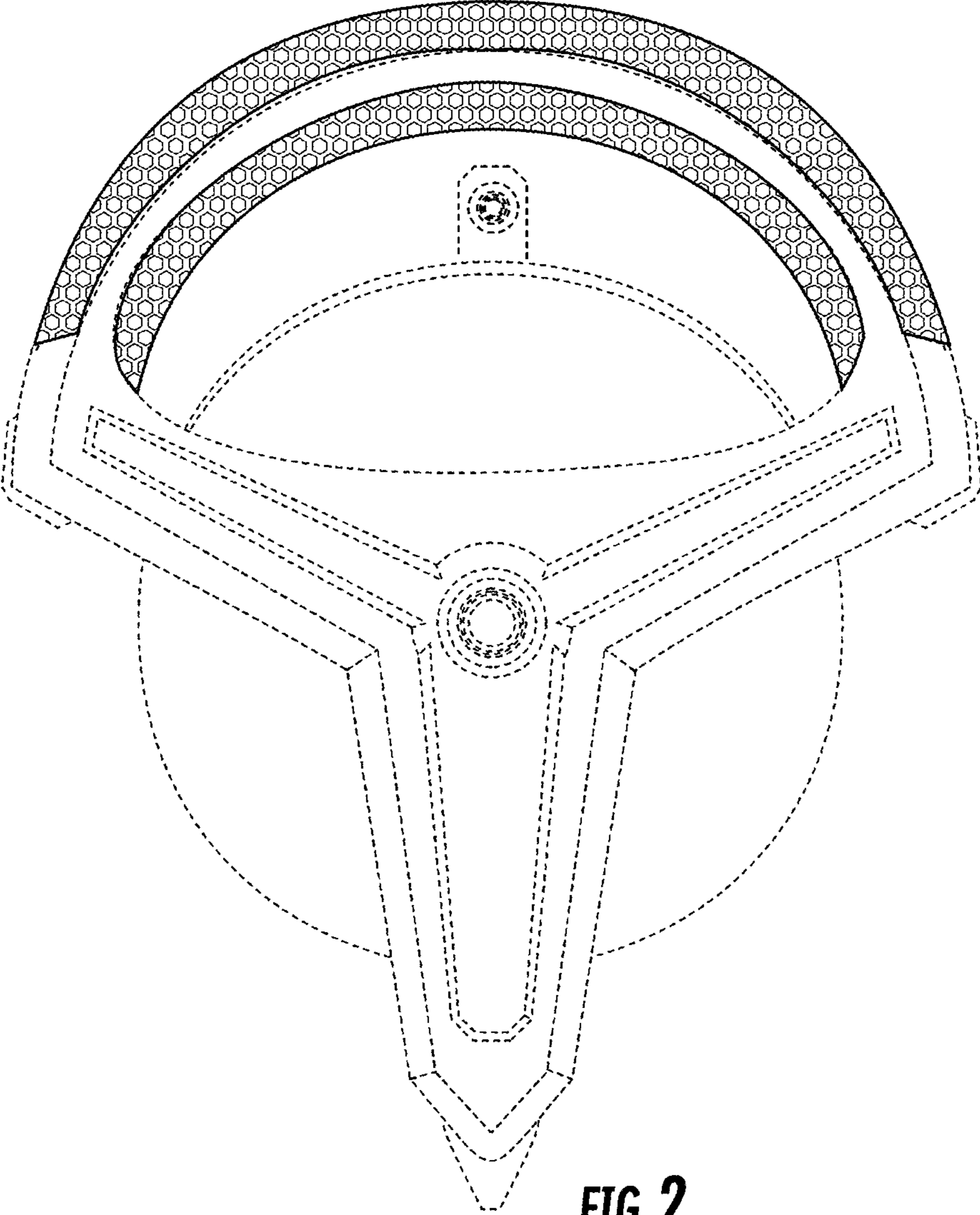


FIG. 2

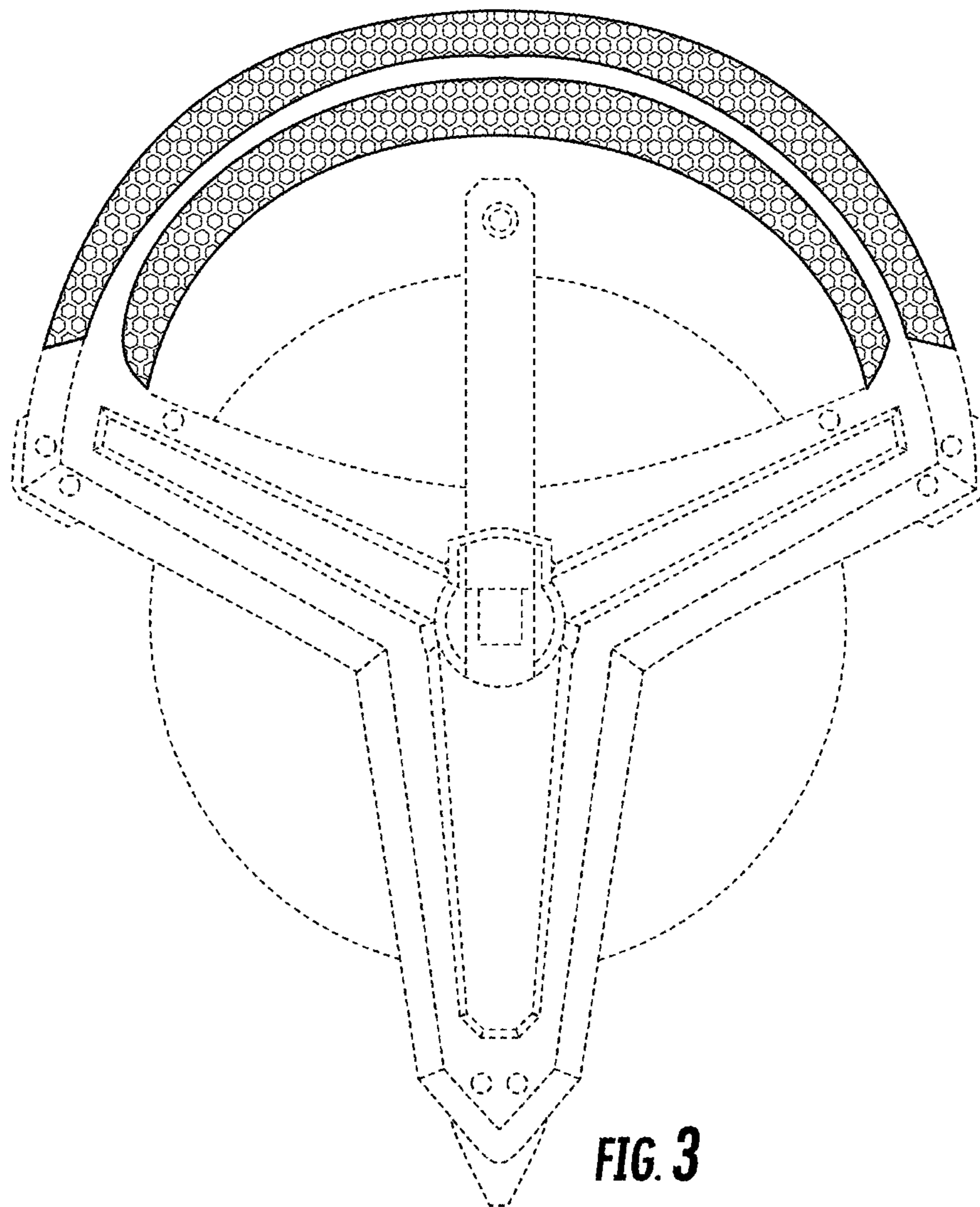


FIG. 3

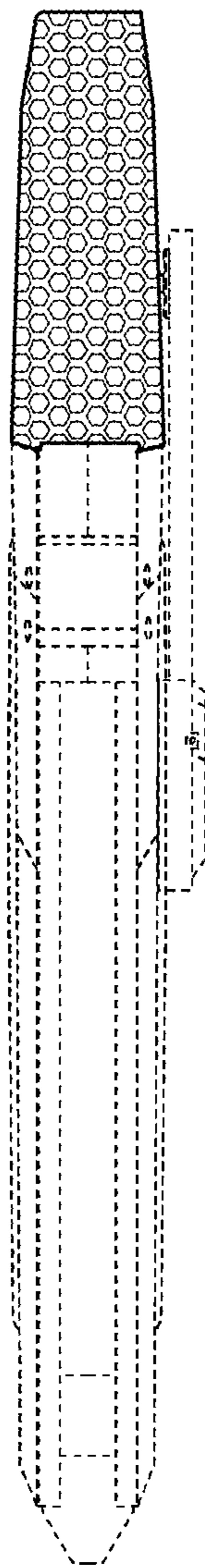


FIG. 4

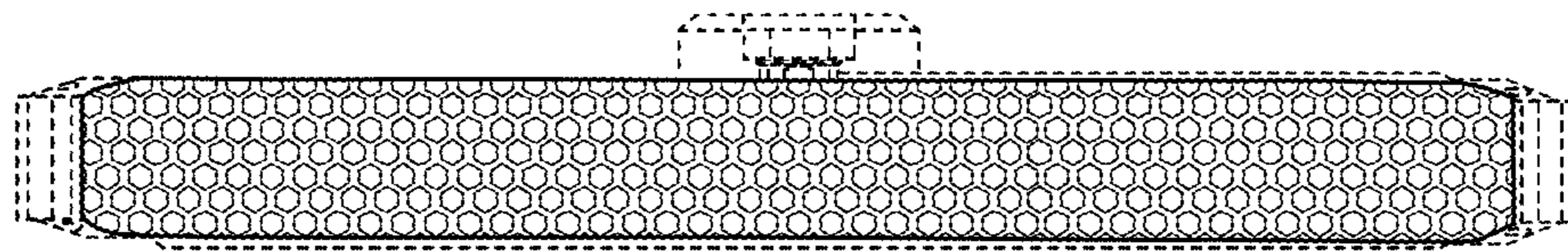


FIG. 5

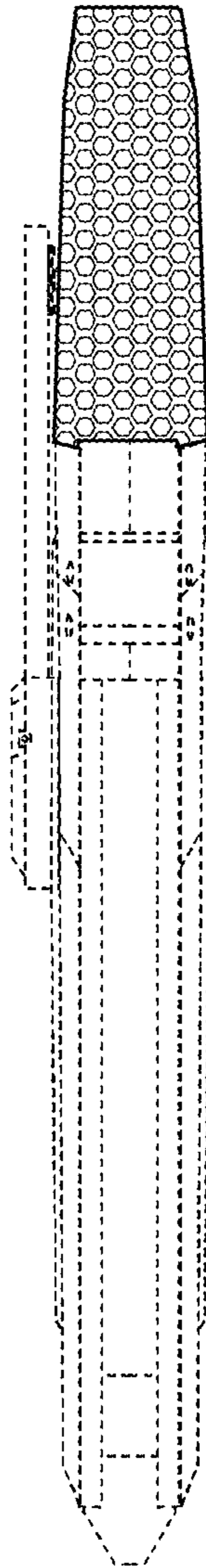


FIG. 6

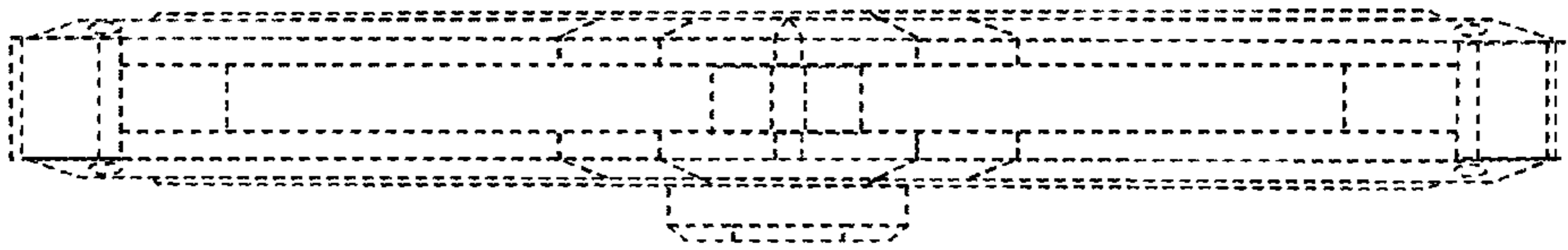


FIG. 7