



US00D788562S

(12) **United States Design Patent**
West et al.

(10) **Patent No.:** **US D788,562 S**
(45) **Date of Patent:** **** Jun. 6, 2017**

(54) **HAMMER**
(71) Applicant: **Estwing Manufacturing Company, Inc.**, Rockford, IL (US)

4,308,770 A 1/1982 MacDonald
D271,275 S * 11/1983 Richilano D8/26
D303,208 S * 9/1989 Chung D8/75
(Continued)

(72) Inventors: **Joshua D. West**, Rockford, IL (US);
Robert H. Youngren, Stillman Valley, IL (US)

FOREIGN PATENT DOCUMENTS

DE 8625497 U1 11/1986
FR 1573992 A 7/1969
(Continued)

(73) Assignee: **Estwing Manufacturing Company, Inc.**, Rockford, IL (US)

Primary Examiner — Philip S Hyder
Assistant Examiner — Roselynn Cody
(74) *Attorney, Agent, or Firm* — Quarles & Brady LLP

(**) Term: **14 Years**

(57) **CLAIM**

(21) Appl. No.: **29/493,110**

The ornamental design for a hammer, as shown and described.

(22) Filed: **Jun. 5, 2014**

(51) **LOC (10) Cl.** **08-02**

DESCRIPTION

(52) **U.S. Cl.**
USPC **D8/75**

(58) **Field of Classification Search**
USPC D8/75-81; D22/117; 81/19-26,
81/489-490; 254/26 R
CPC B23K 9/28; B25F 1/00; B25D 1/00; B25D
1/02; B25D 1/04; B25D 1/045; B25D
1/06; B25D 1/12; B25G 1/02
See application file for complete search history.

FIG. 1 is an isometric view of a front, top, and left side of an ornamental design for a hammer;
FIG. 2 is a left side elevational view of the hammer of FIG. 1;
FIG. 3 is a right side elevational view of the hammer of FIG. 1;
FIG. 4 is a rear elevational view of the hammer of FIG. 1;
FIG. 5 is a front elevational view of the hammer of FIG. 1;
FIG. 6 is a top plan view of the hammer of FIG. 1; and,
FIG. 7 is a bottom plan view of the hammer of FIG. 1.

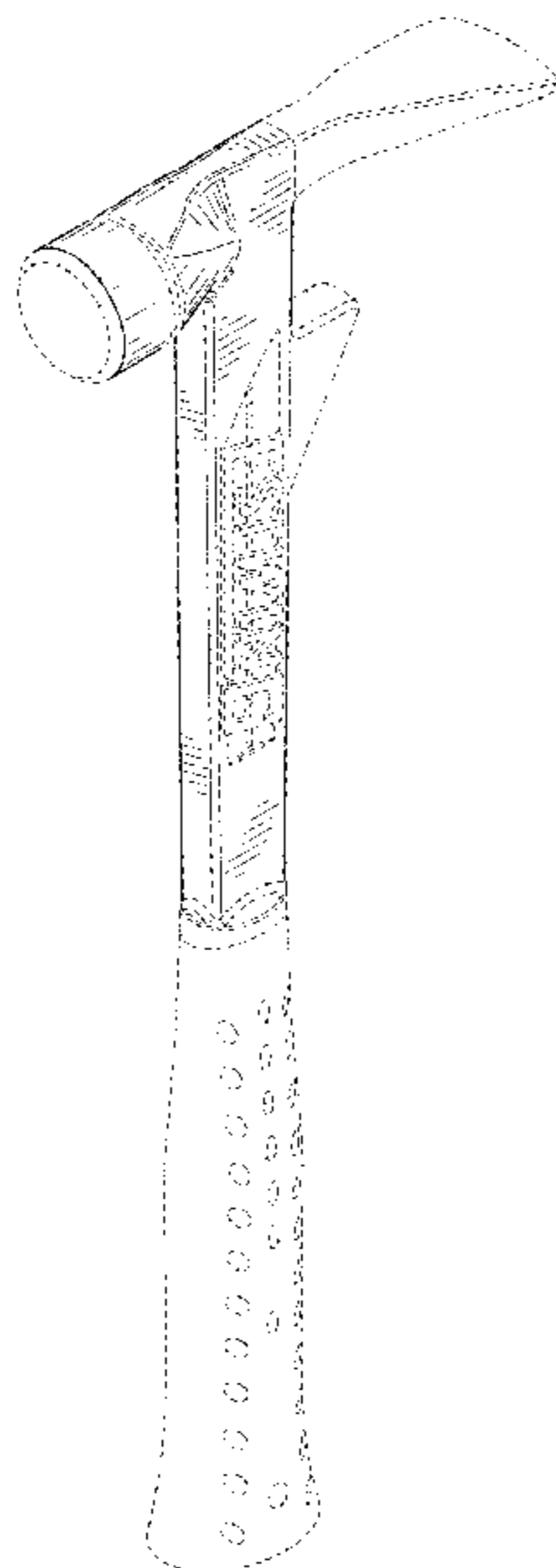
(56) **References Cited**

U.S. PATENT DOCUMENTS

1,056,920 A 3/1913 Lovering
2,761,478 A 9/1956 Guida
3,088,506 A 5/1963 Bianchini
3,130,762 A 4/1964 Kerr
3,148,716 A 9/1964 Vaughan, Jr.
3,456,330 A 7/1969 Norcross
3,605,832 A 9/1971 Kerr
3,942,567 A 3/1976 Richilano
4,039,012 A 8/1977 Cook
4,183,385 A 1/1980 Burkybile

The boundaries of the side walls of the hammer are defined between the disclosed solid lines and the farthest-most shade lines along the side walls. Further, the boundaries of the top wall of the hammer are defined between the disclosed solid lines and the farthest-most shade lines along the top wall of the head. The dash-dash-dash lines are for the purpose of illustrating portions of the hammer that form no part of the claim. The dash-dot-dash lines depict boundary lines that also form no part of the claim.

1 Claim, 5 Drawing Sheets



(56)

References Cited

U.S. PATENT DOCUMENTS

5,142,948	A	9/1992	Liou	
6,477,922	B1	11/2002	Burnett	
6,629,684	B2	10/2003	Youngren	
7,107,874	B1	9/2006	Chen	
D549,064	S *	8/2007	Youngren	D8/75
D549,066	S *	8/2007	Youngren	D8/78
8,024,994	B2	9/2011	St. John et al.	
8,117,702	B2	2/2012	Woolley et al.	
D672,218	S *	12/2012	Youngren	D8/78
D683,608	S *	6/2013	Trice	D8/78
8,458,838	B2	6/2013	Trice	
8,585,016	B2	11/2013	Woolley et al.	
8,661,592	B2	3/2014	Trice	
D716,628	S *	11/2014	West	D8/78
D730,134	S *	5/2015	Youngren	D8/47
9,044,846	B1	6/2015	Dawson et al.	
9,193,059	B2	11/2015	Lombardi et al.	

2002/0112572	A1	8/2002	Pimentel	
2006/0021473	A1	2/2006	Deros	
2014/0103276	A1 *	4/2014	Fegan	B25G 1/102 254/26 R
2014/0165787	A1 *	6/2014	Lombardi	B25G 1/02 81/22
2015/0251302	A1	9/2015	Flosi et al.	
2015/0251303	A1 *	9/2015	Flosi	B25D 1/12 81/22
2016/0039078	A1	2/2016	West	

FOREIGN PATENT DOCUMENTS

FR	2523020	A	9/1983
GB	1316135	A	5/1973
JP	3151153	U	6/2009
WO	2015/134106	A1	9/2015
WO	2015134107	A1	9/2015
WO	2016022594	A1	2/2016

* cited by examiner

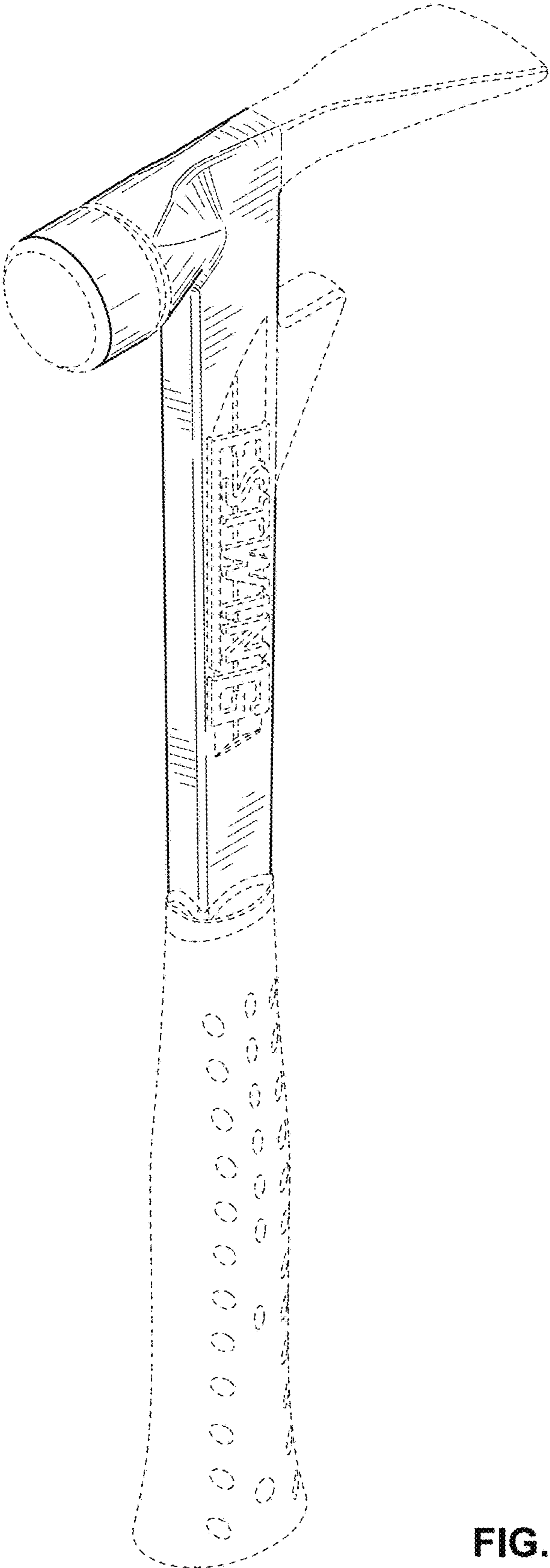


FIG. 1

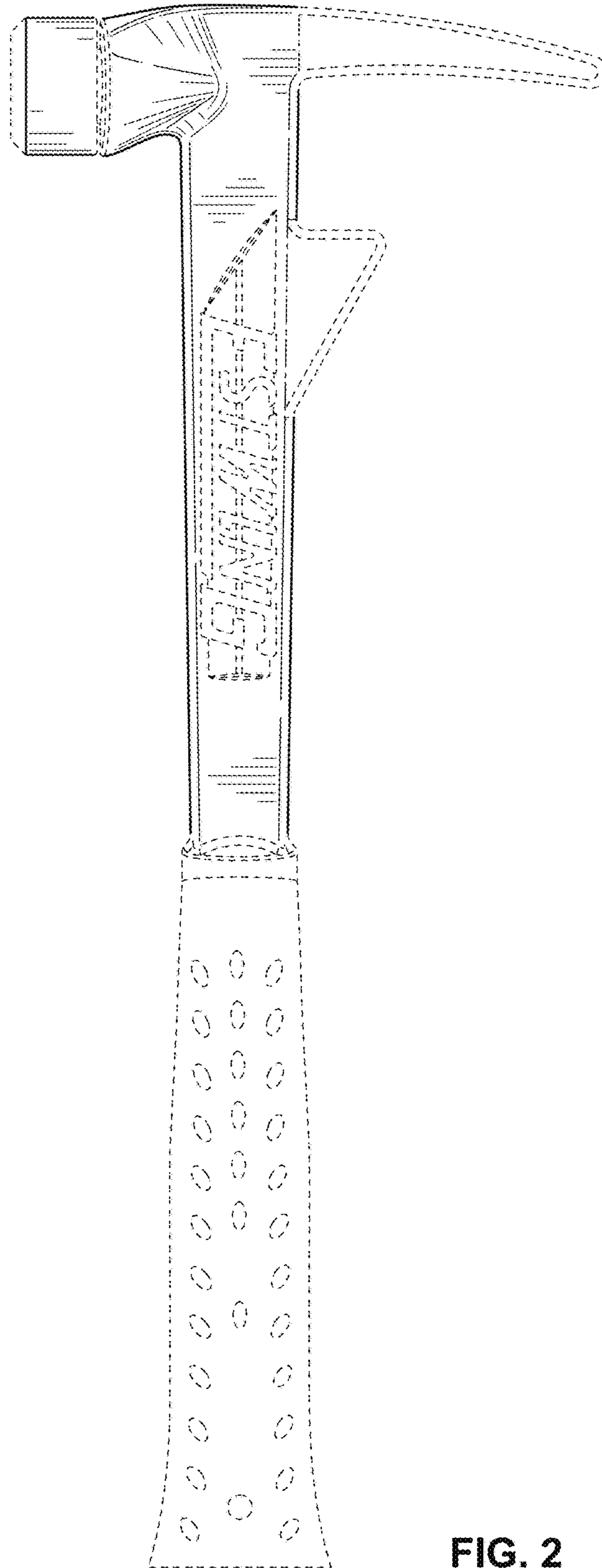


FIG. 2

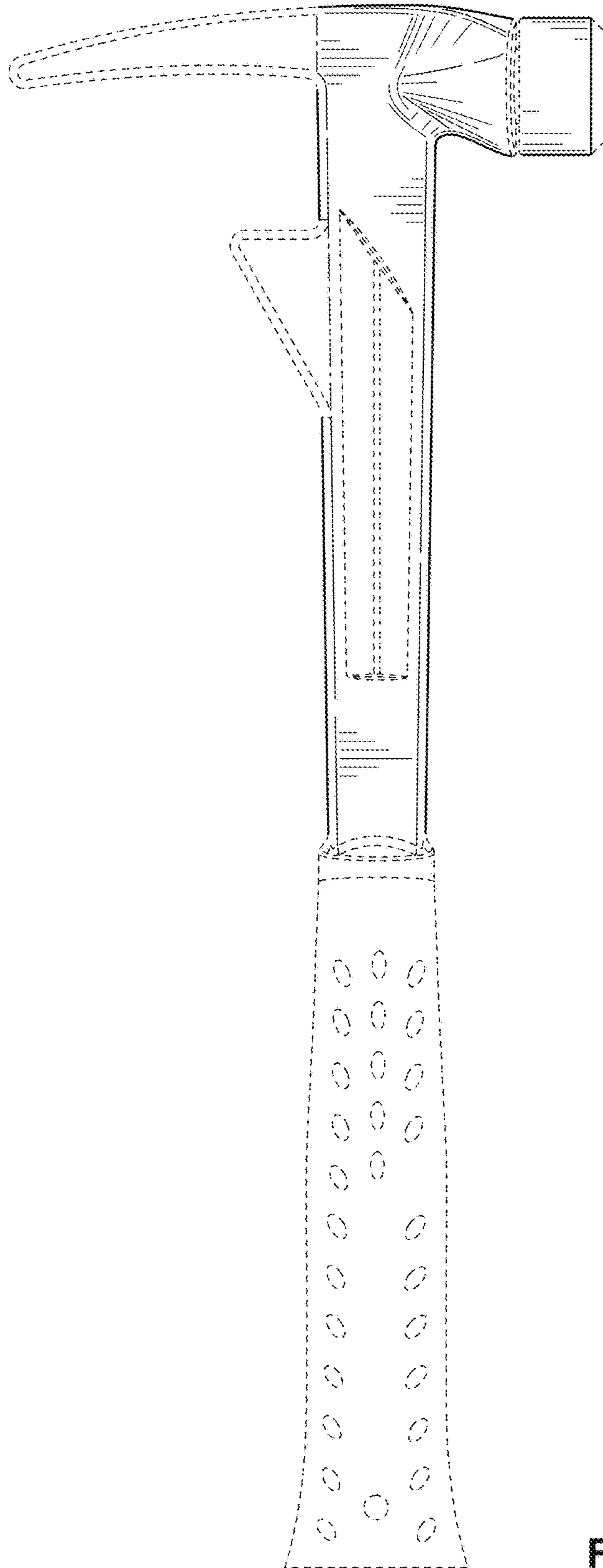


FIG. 3

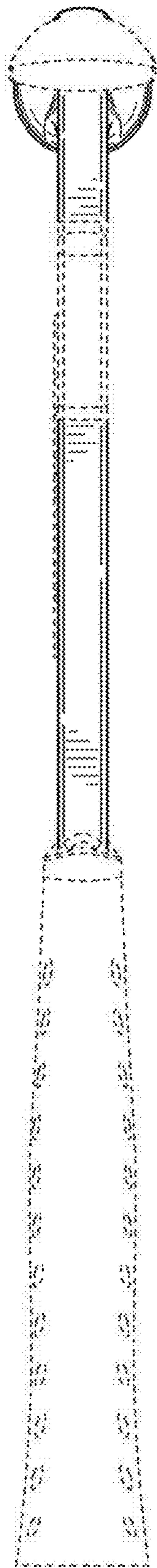


FIG. 4

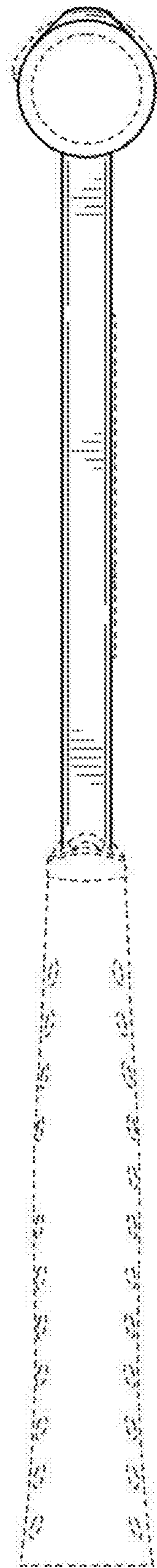


FIG. 5

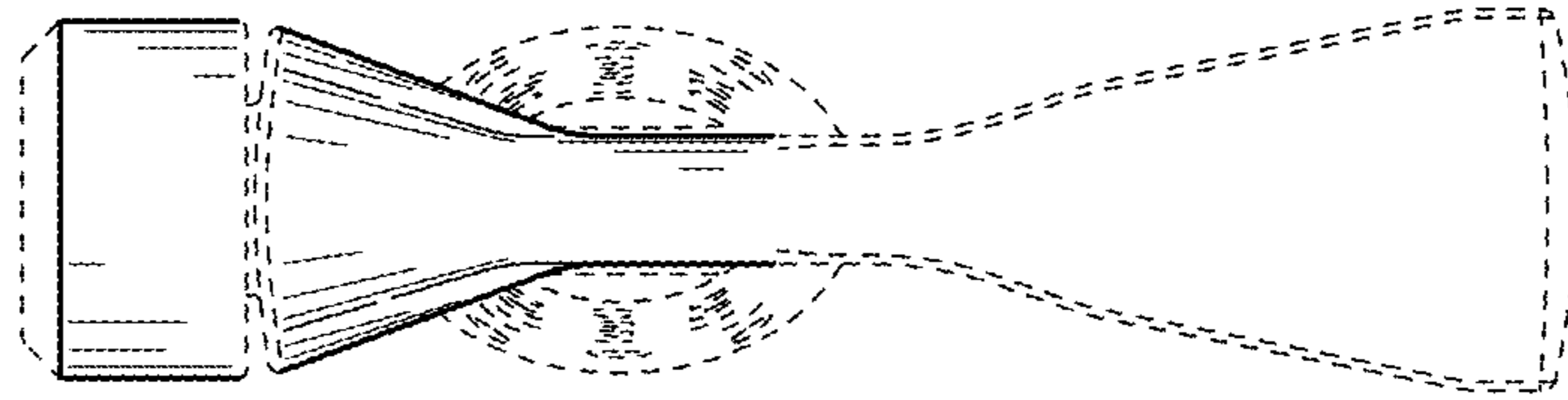


FIG. 6

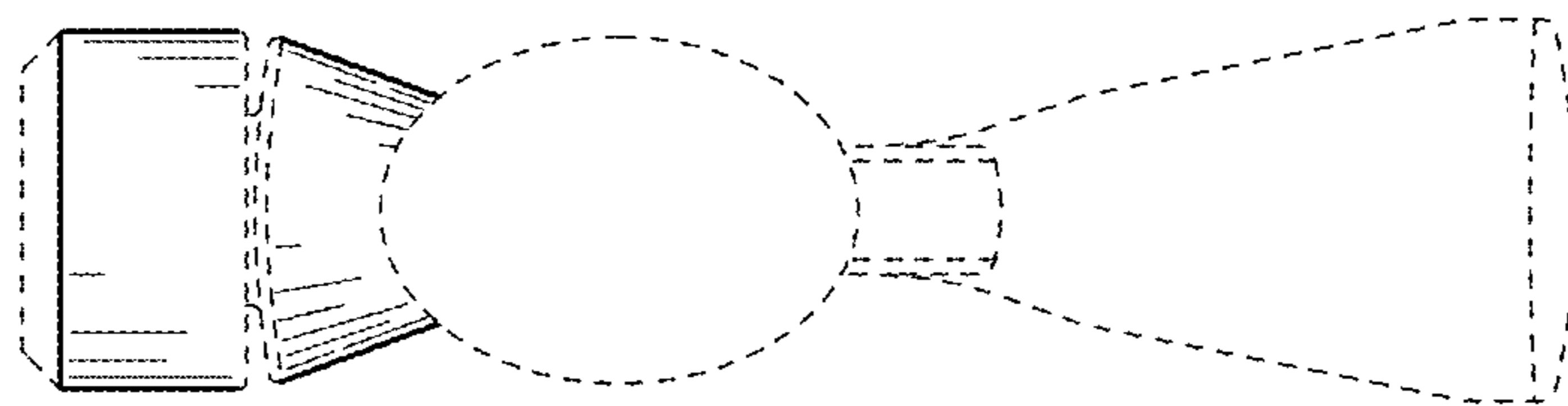


FIG. 7