



US00D788561S

(12) **United States Design Patent**
Miller et al.

(10) **Patent No.:** **US D788,561 S**

(45) **Date of Patent:** **** Jun. 6, 2017**

(54) **CLAMP**

(71) Applicants: **Shawn Miller**, Surrey (CA); **Timothy Lindberg**, Langley (CA); **Scott Inman**, Surrey (CA)

(72) Inventors: **Shawn Miller**, Surrey (CA); **Timothy Lindberg**, Langley (CA); **Scott Inman**, Surrey (CA)

(**) **Term:** **15 Years**

(21) **Appl. No.:** **29/528,114**

(22) **Filed:** **May 26, 2015**

(51) **LOC (10) Cl.** **08-05**

(52) **U.S. Cl.**
USPC **D8/72**

(58) **Field of Classification Search**
USPC D8/71-74, 394-399, 59; 248/63, 72, 248/74.1, 689, 124.2; 81/487, 385, 386, 81/388-390; 269/3, 4, 6, 143, 165, 240, 269/243, 246-249, 254 R, 147-149; 29/256, 257, 276; 408/103, 104-109
CPC B25B 1/00; B25B 5/00
See application file for complete search history.

(56) **References Cited**

U.S. PATENT DOCUMENTS

- 4,042,264 A * 8/1977 Shumer B25B 5/068
269/203
- D348,816 S * 7/1994 Degen D8/73

- D413,429 S * 9/1999 Carson D3/10
- D416,183 S * 11/1999 Tyski D8/72
- D418,033 S * 12/1999 Svedberg D34/31
- D467,152 S * 12/2002 Wolff D8/72
- D482,585 S * 11/2003 Brass D8/72
- 6,848,683 B2 * 2/2005 Foshag B25B 5/163
269/147
- 7,219,885 B2 * 5/2007 Nardozza B25B 5/102
269/166
- D543,821 S * 6/2007 Ranieri D8/73
- D545,161 S * 6/2007 Ranieri D8/72
- 7,441,761 B2 * 10/2008 Hughes B25B 5/068
269/147
- 7,798,478 B2 * 9/2010 Janson B25B 5/006
269/166

* cited by examiner

Primary Examiner — David Muller
(74) *Attorney, Agent, or Firm* — Global Intellectual Property Agency, LLC; Daniel Boudwin

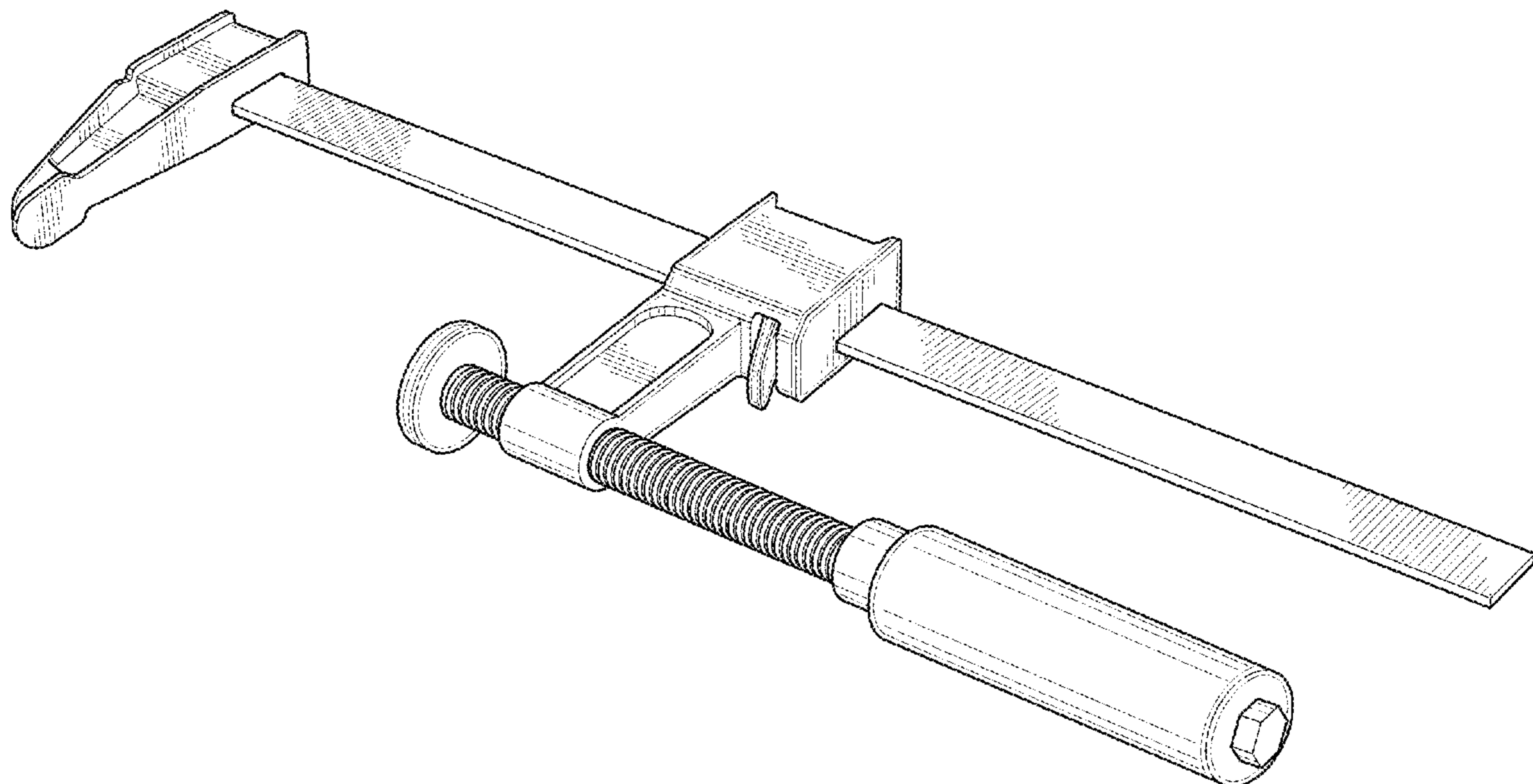
(57) **CLAIM**

The ornamental design for a clamp, as shown and described.

DESCRIPTION

FIG. 1 shows a perspective view of the clamp.
FIG. 2 shows a first side elevation view thereof;
FIG. 3 shows a second side elevation view thereof;
FIG. 4 shows a front elevation view thereof;
FIG. 5 shows a rear elevation view thereof;
FIG. 6 shows a top plan view thereof; and,
FIG. 7 shows a bottom plan view thereof.

1 Claim, 5 Drawing Sheets



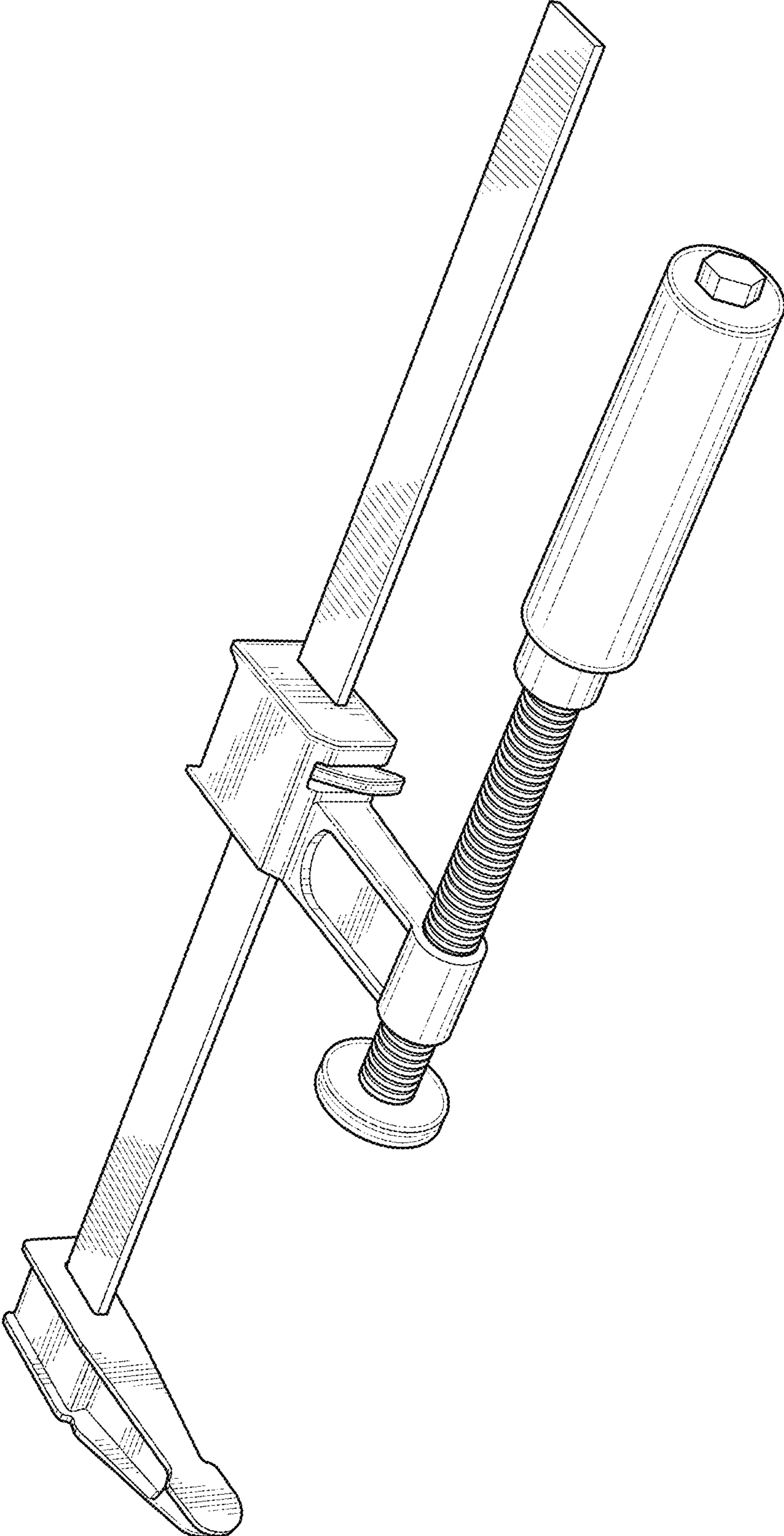


FIG. 1

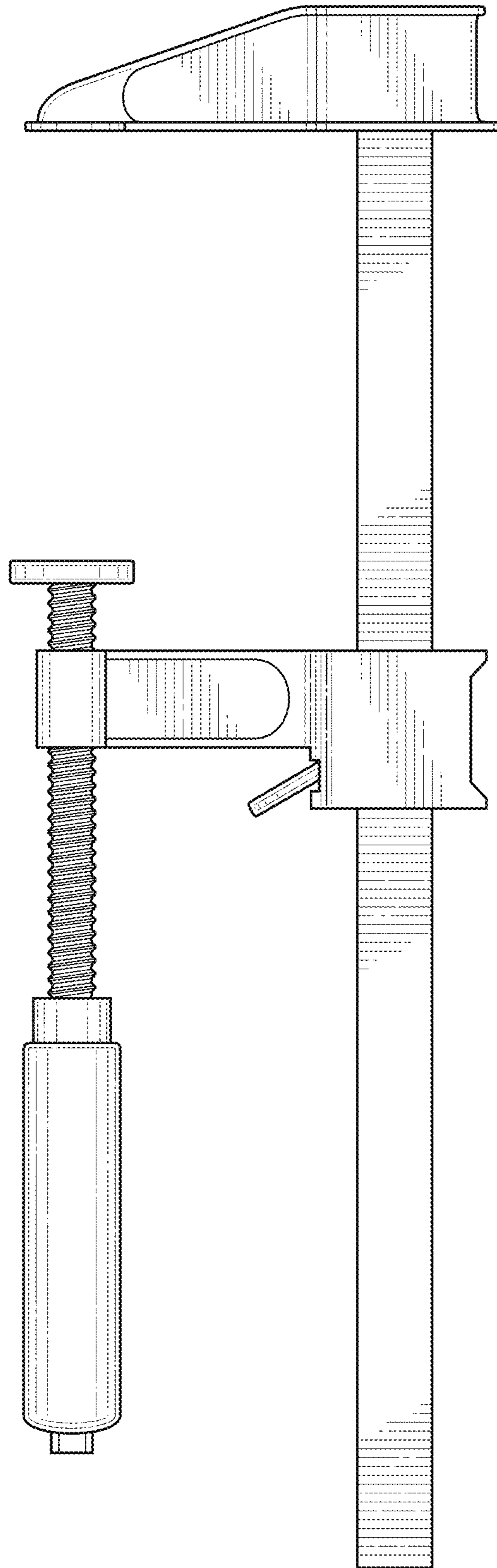


FIG. 2

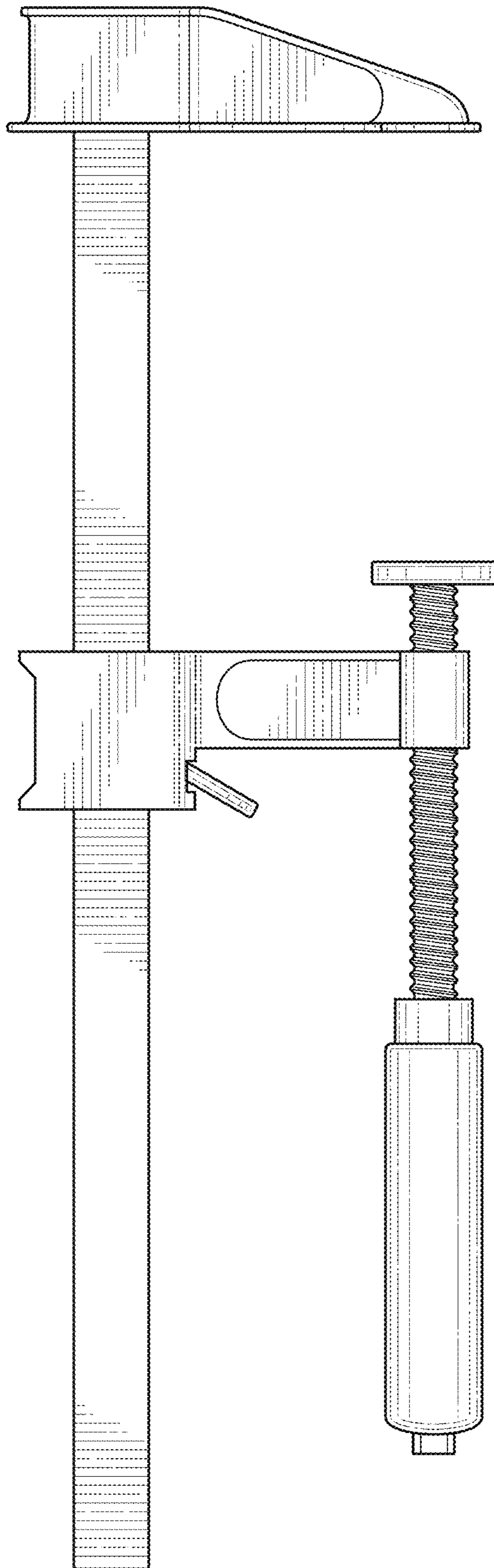


FIG. 3

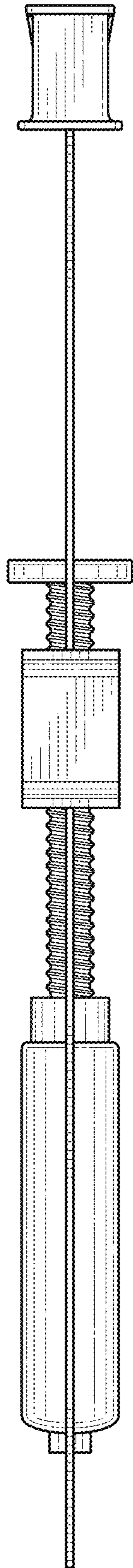


FIG. 4

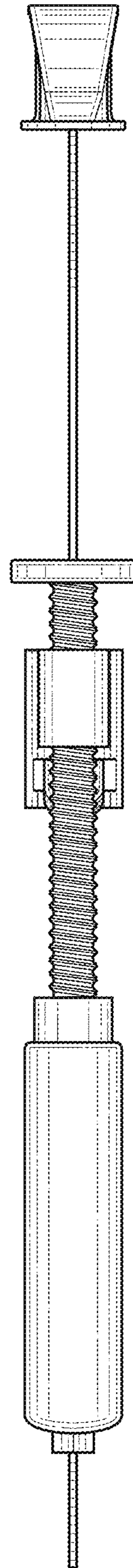


FIG. 5

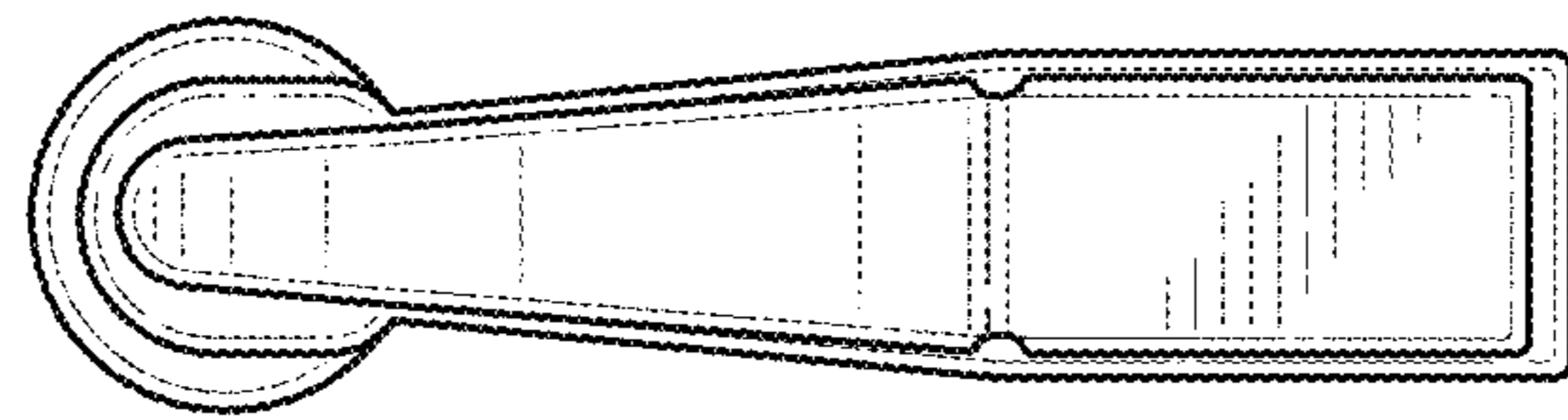


FIG. 6

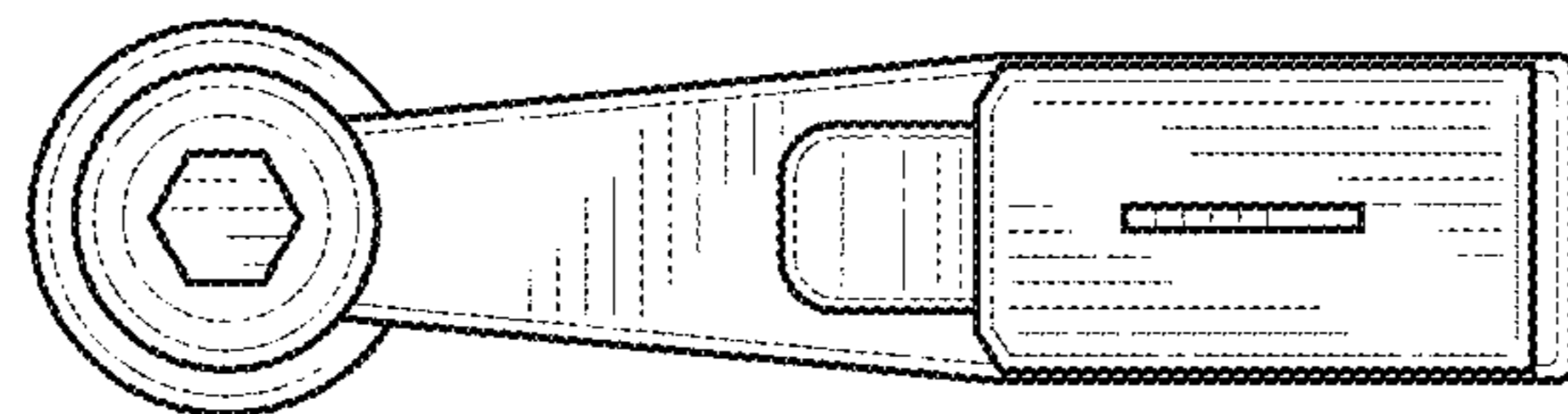


FIG. 7