



US00D788560S

(12) **United States Design Patent** (10) **Patent No.:** **US D788,560 S**  
**Fisher** (45) **Date of Patent:** **\*\* \*Jun. 6, 2017**

(54) **HANDLE AND SUPPORT ARRANGEMENT FOR POWER TOOL**

(71) Applicant: **James John Fisher**, Auckland (NZ)

(72) Inventor: **James John Fisher**, Auckland (NZ)

(73) Assignee: **BRAND DEVELOPERS LTD.**, Auckland (NZ)

(\*) Notice: This patent is subject to a terminal disclaimer.

(\*\*) Term: **14 Years**

(21) Appl. No.: **29/494,177**

(22) Filed: **Jun. 18, 2014**

(30) **Foreign Application Priority Data**

Dec. 19, 2013 (AU) ..... 201316683

(51) **LOC (10) Cl.** ..... **08-05**

(52) **U.S. Cl.**  
USPC ..... **D8/70; D8/107**

(58) **Field of Classification Search**  
USPC .... D8/12, 61, 68, 70, 71, 72, 74, 75-77, 80, D8/83, 94, 98, 99, 101, 102, 104, 105, D8/107, 300, 303, 307; D21/568, 756, D21/757; D22/117, 118; D7/393, 395, D7/642, 664; D4/129, 138; 16/110.1, 16/421, 426, 430; 81/489, 487, 491  
See application file for complete search history.

(56) **References Cited**

**U.S. PATENT DOCUMENTS**

4,451,955 A \* 6/1984 Kern et al. .... 24/20 CW  
D334,331 S \* 3/1993 Kikuchi ..... D8/70

D391,127 S \* 2/1998 Yeh ..... D8/5  
D510,851 S \* 10/2005 Badiali ..... D8/70  
D516,401 S \* 3/2006 Snider et al. .... D8/71  
D542,108 S \* 5/2007 Chu ..... D8/61  
D583,644 S \* 12/2008 Hao ..... D8/107  
D639,628 S \* 6/2011 Zhou et al. .... D8/61  
D679,976 S \* 4/2013 Chiu ..... D8/107  
2013/0133211 A1\* 5/2013 Cantore et al. .... 30/401  
2013/0276844 A1\* 10/2013 Moulton ..... 135/67

\* cited by examiner

*Primary Examiner* — Derrick Holland

*Assistant Examiner* — Lauren Calve

(74) *Attorney, Agent, or Firm* — Jonathan A. Kidney; TechLaw, LLP

(57) **CLAIM**

The ornamental design for a handle and support arrangement for power tool, as shown and described.

**DESCRIPTION**

FIG. 1 is a front, top perspective view of a handle and support arrangement for power tool showing my new design;

FIG. 2 is a front view thereof;

FIG. 3 is a rear, top perspective view thereof, shown in an environmental state;

FIG. 4 is a rear view of FIG. 1;

FIG. 5 is a top view of FIG. 1;

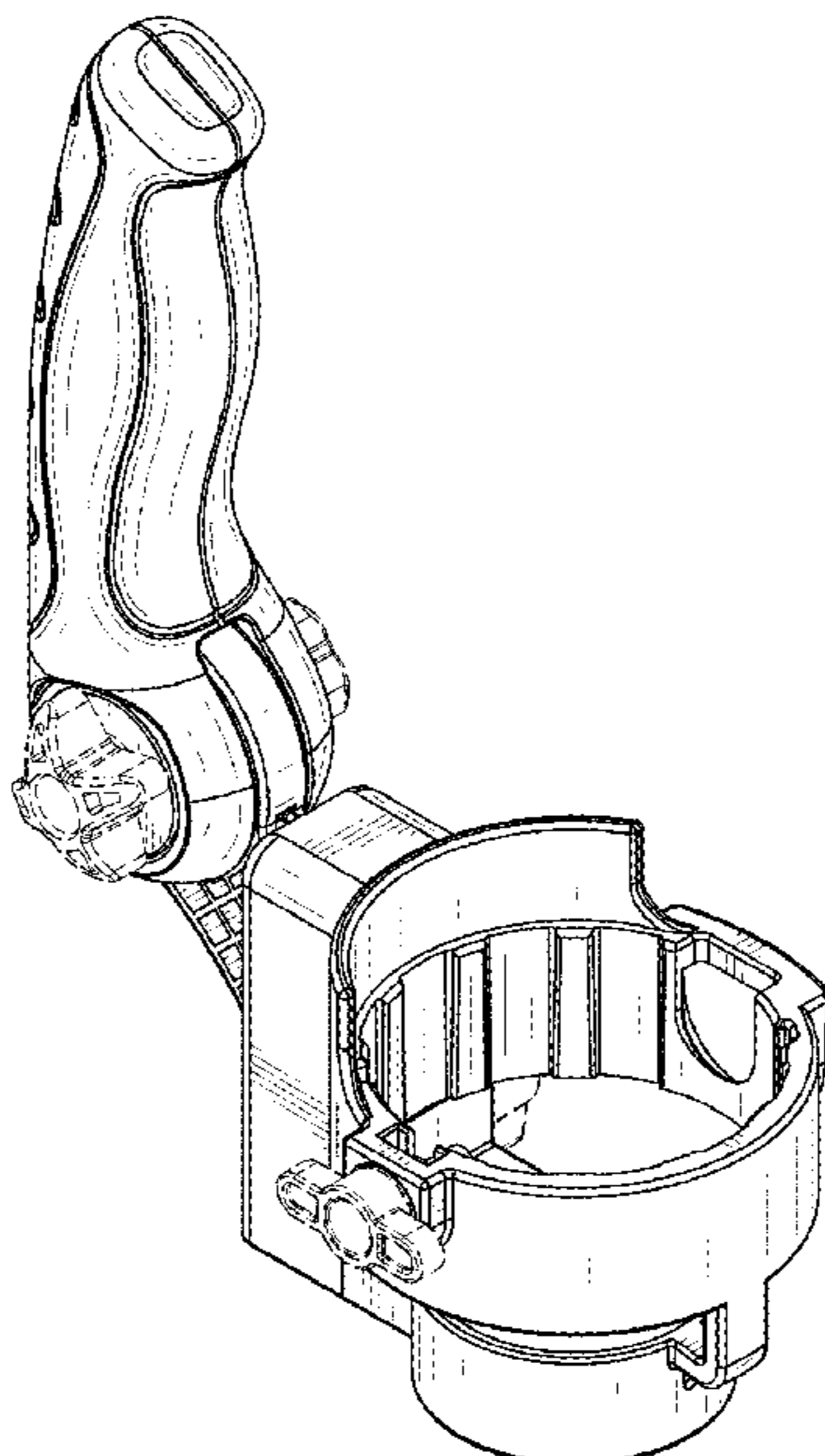
FIG. 6 is a bottom view of FIG. 1;

FIG. 7 is a left side view of FIG. 1; and,

FIG. 8 is a right side view of FIG. 1.

The broken lines shown represent unclaimed subject matter only and form no part of the claimed design.

**1 Claim, 8 Drawing Sheets**



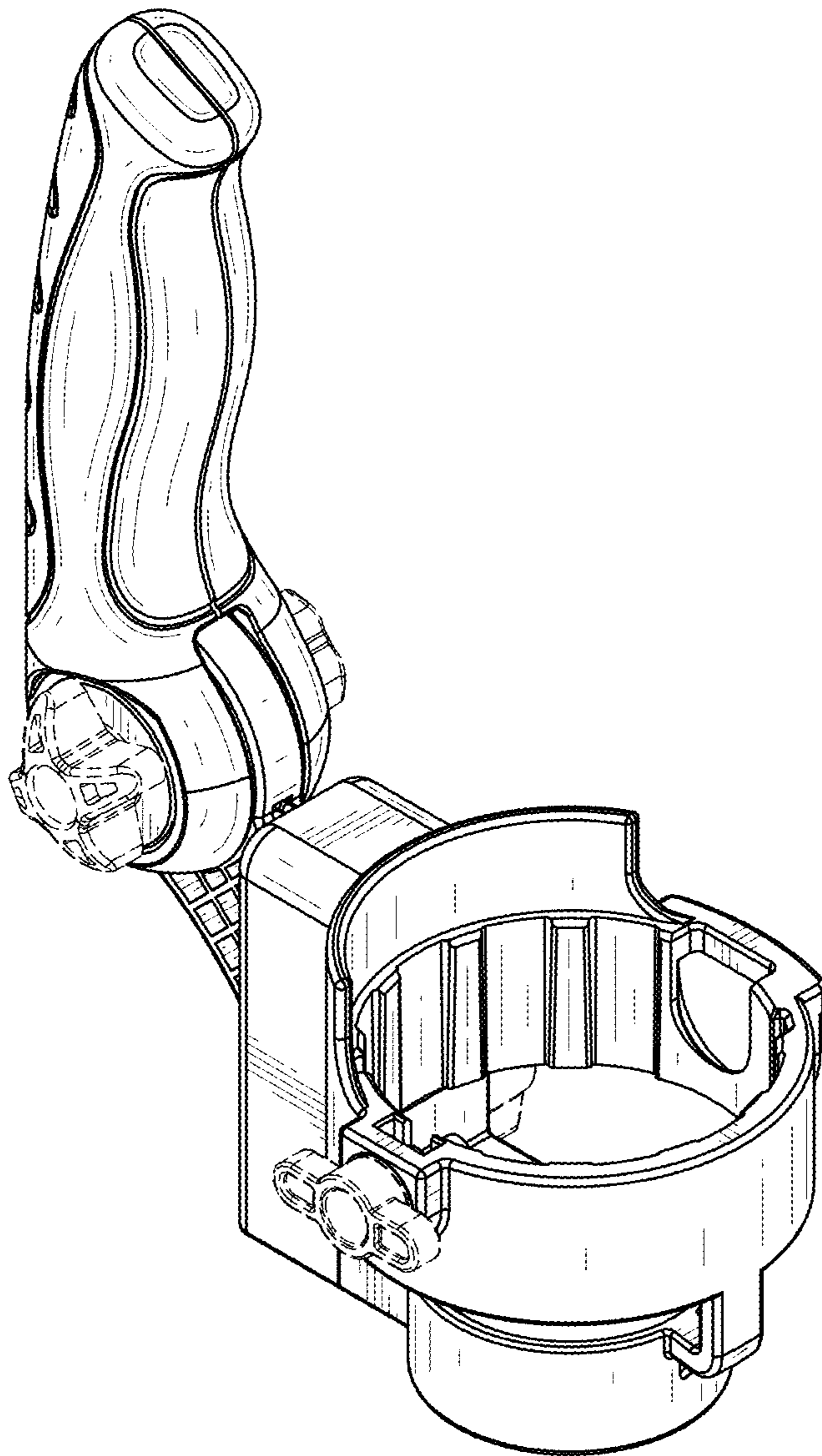


FIG.1

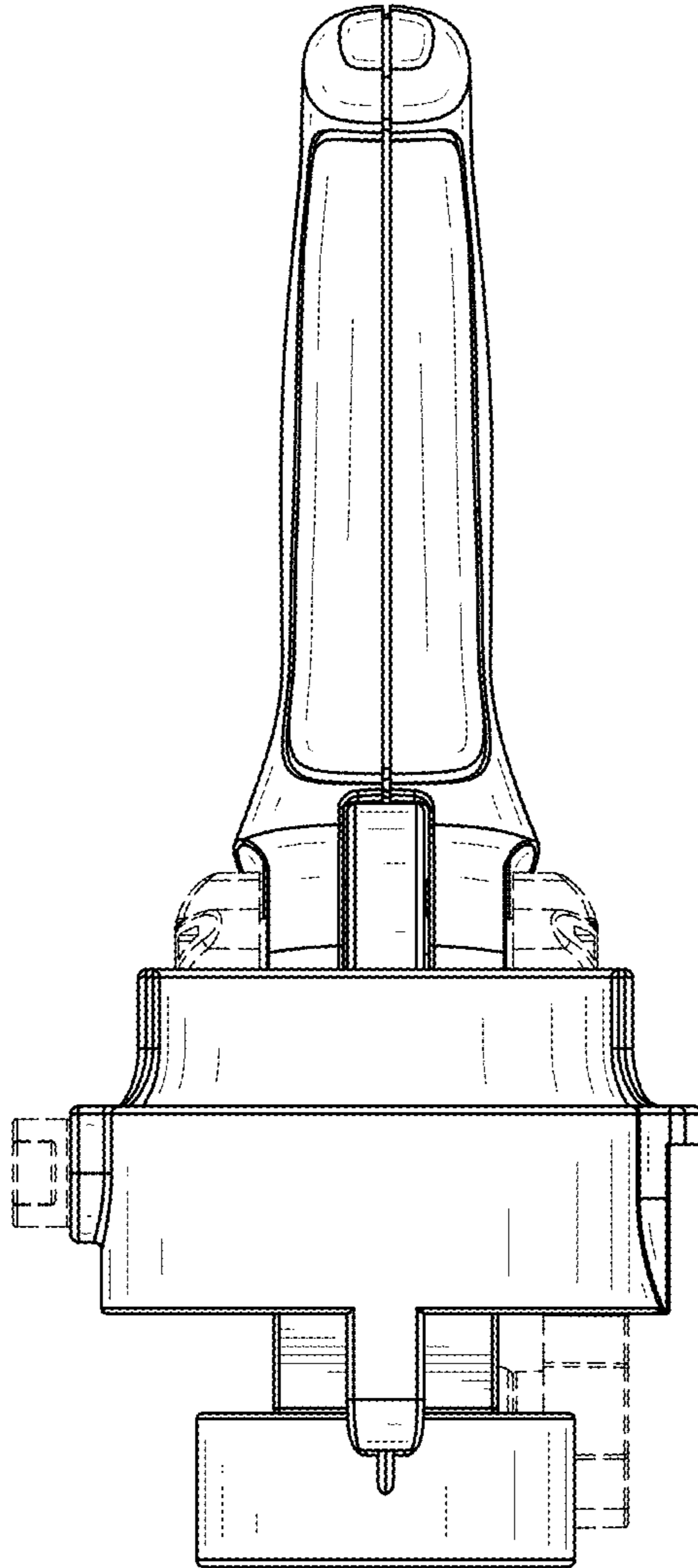


FIG.2

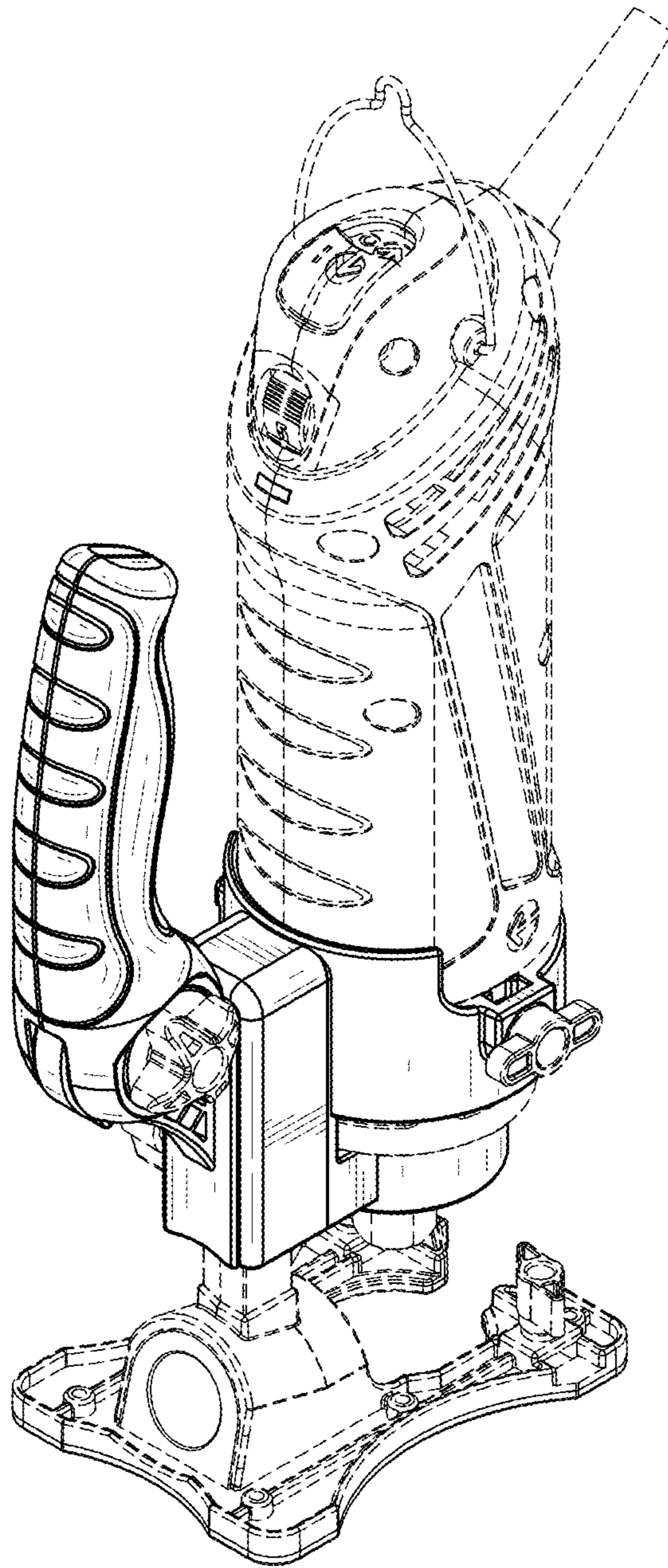


FIG.3

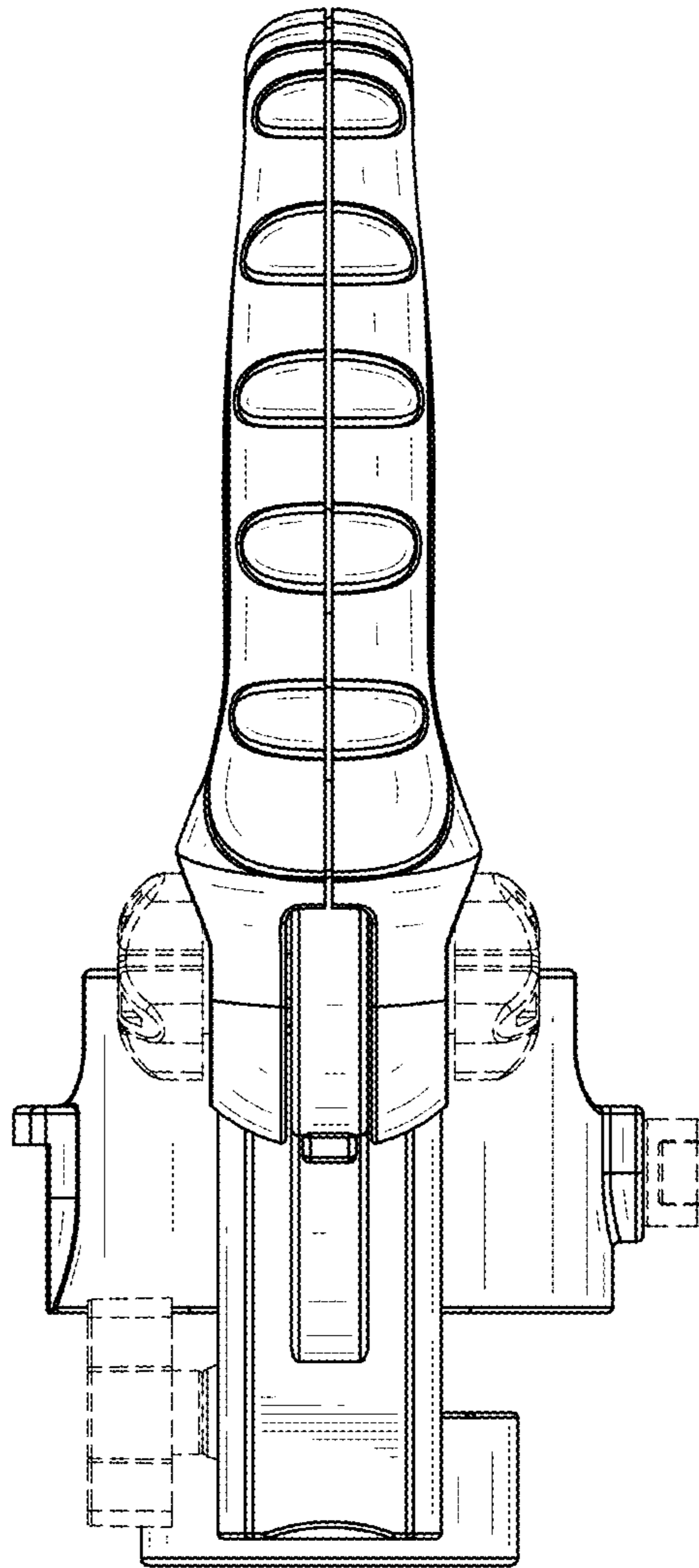


FIG.4

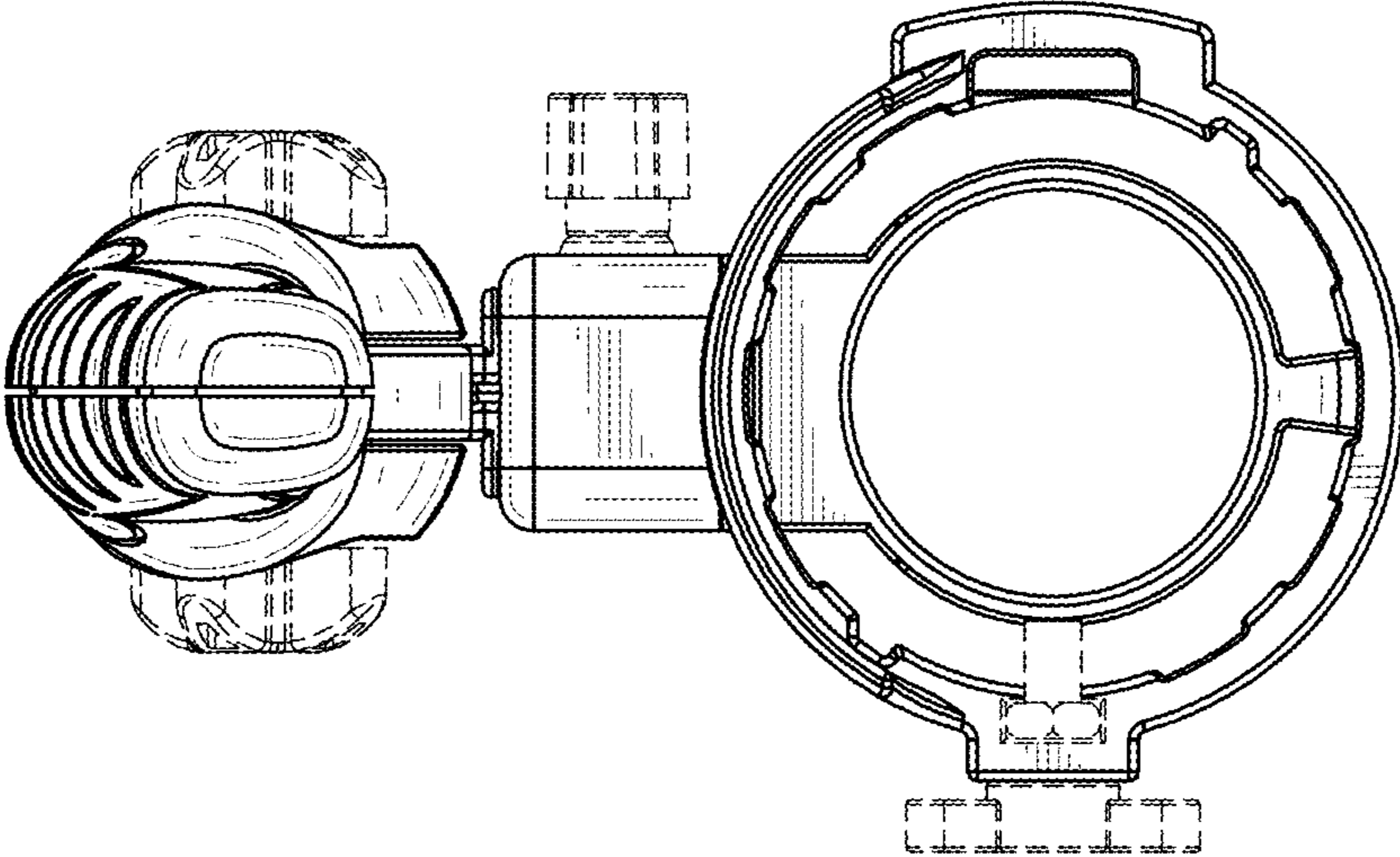


FIG.5

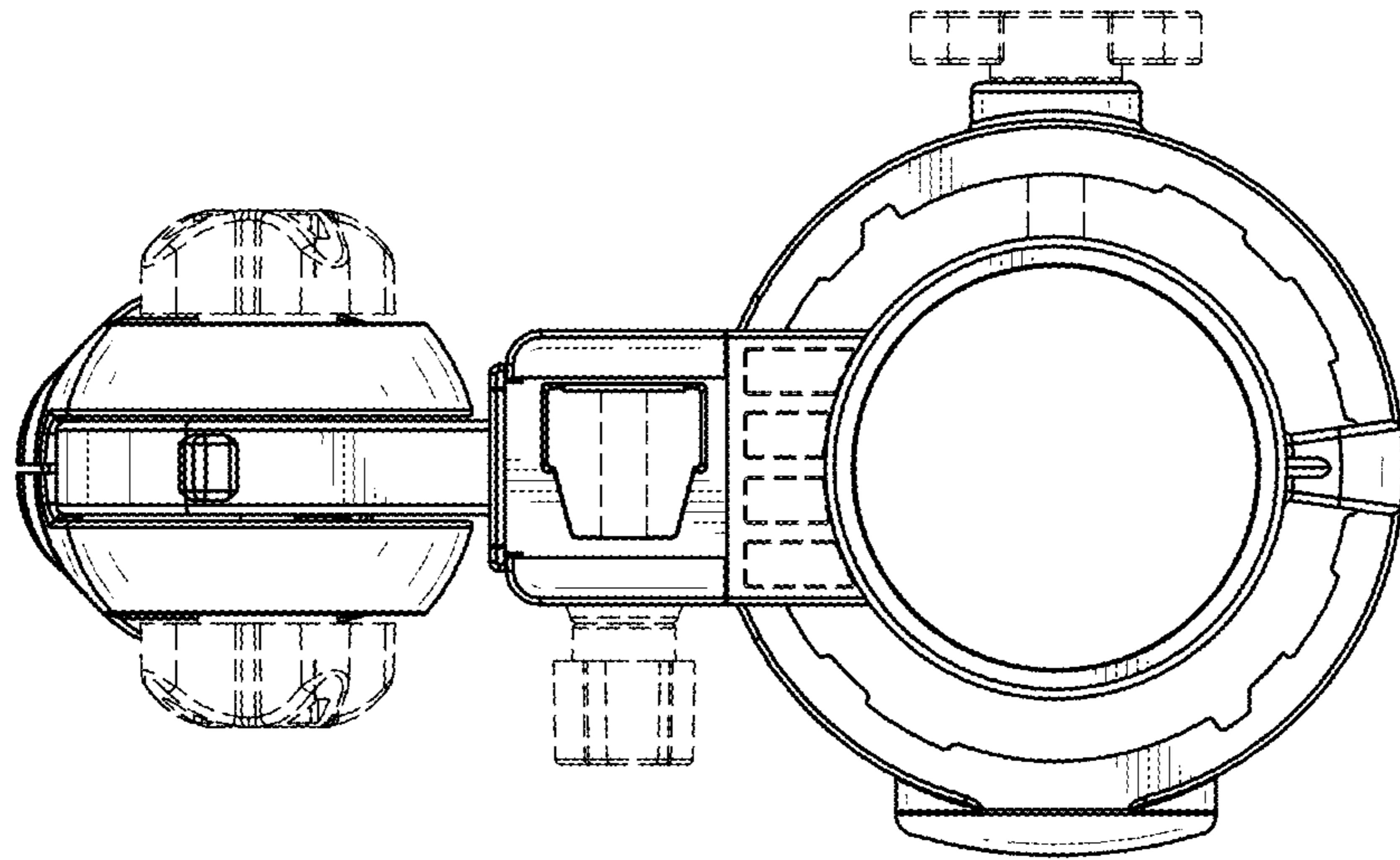


FIG.6

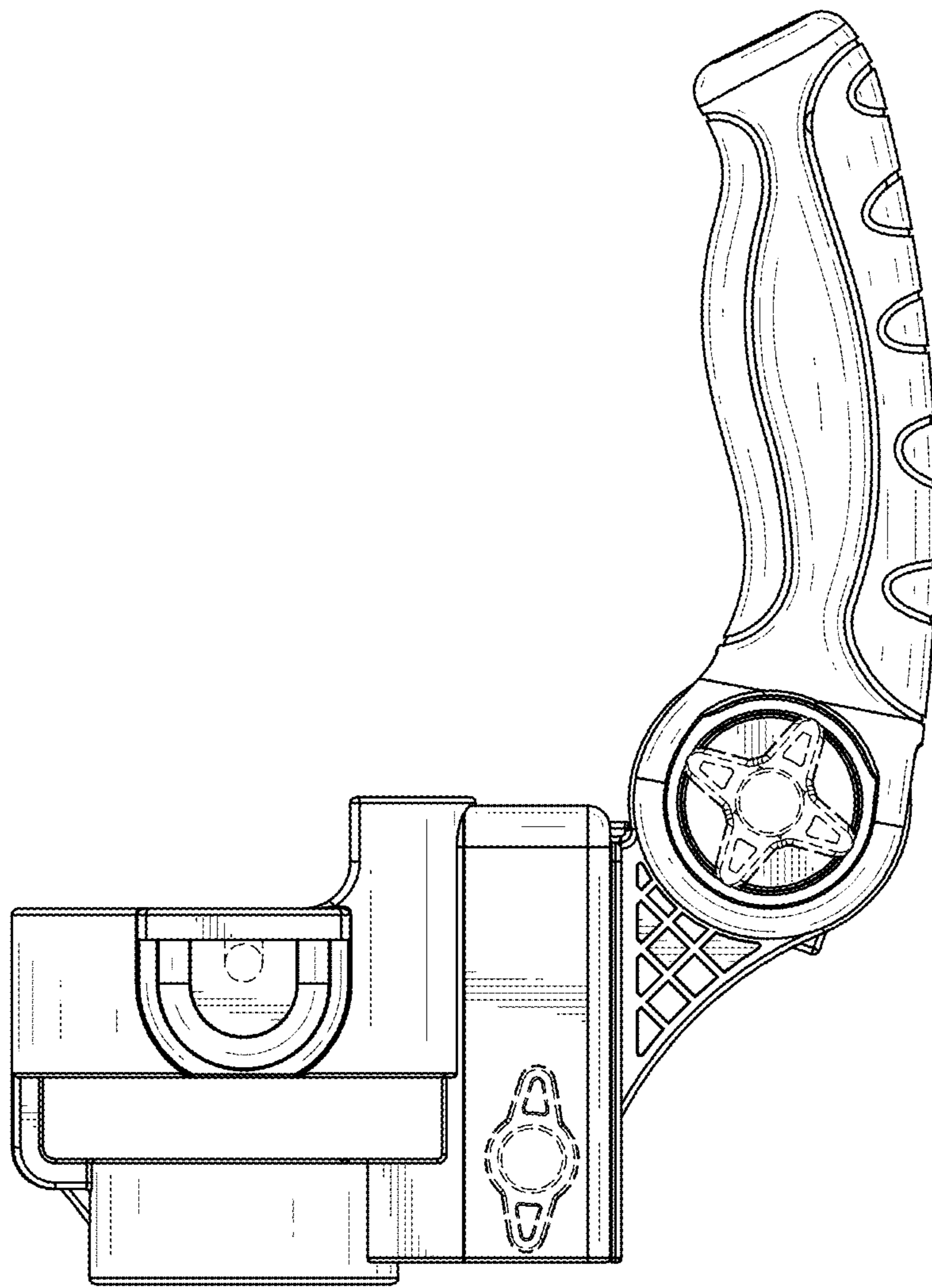


FIG.7



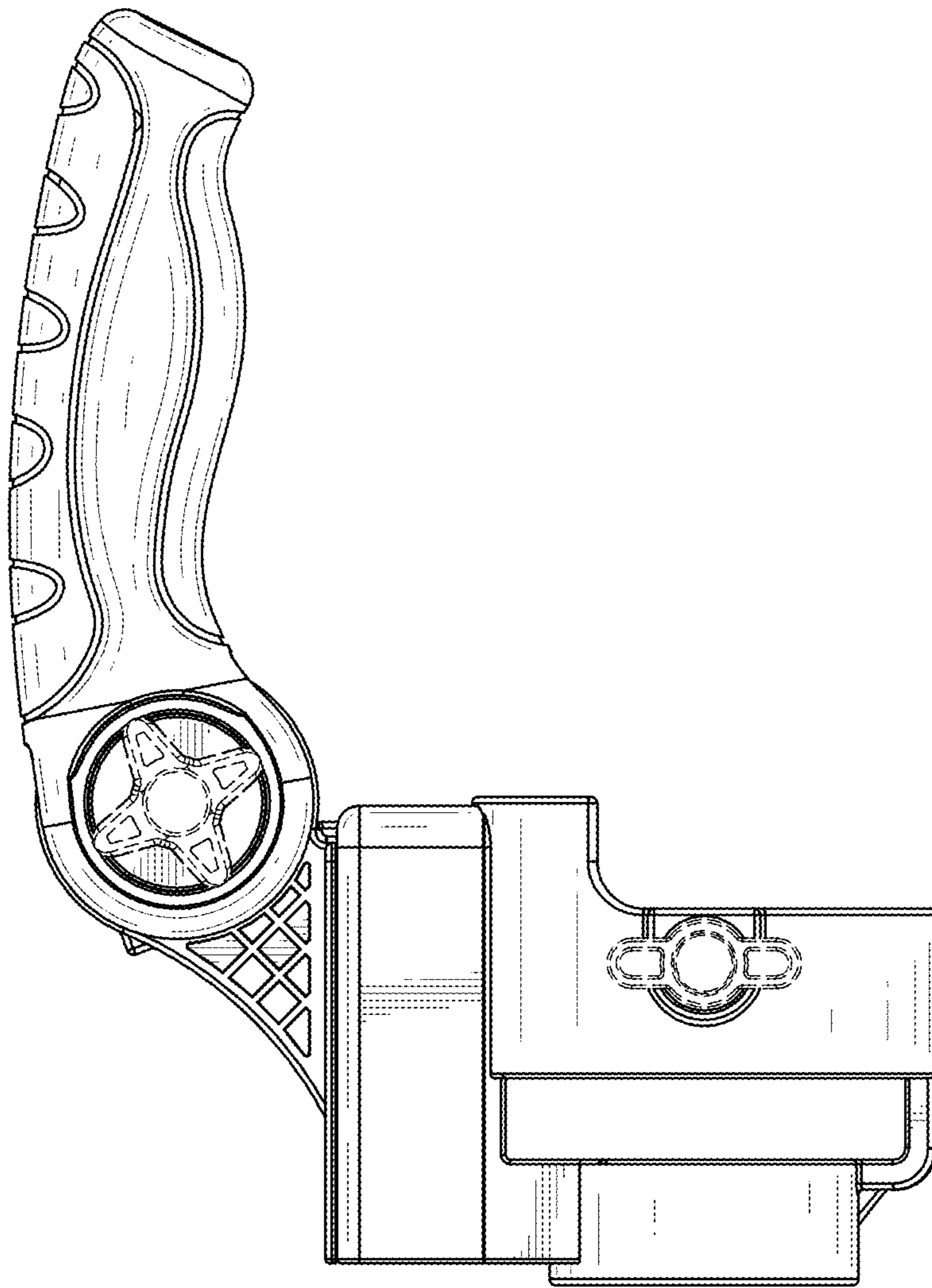


FIG.8