



US00D788558S

(12) **United States Design Patent**  
**Tasic et al.**

(10) **Patent No.:** **US D788,558 S**  
(45) **Date of Patent:** **\*\* Jun. 6, 2017**

(54) **CUTTING TOOL**  
(71) Applicant: **Robert Bosch GmbH**, Stuttgart (DE)  
(72) Inventors: **Zoran Tasic**, Esslingen (DE); **Kay Zass**, Weilimdorf (DE); **Vincent Hasenmayer**, Stuttgart-Möhringen (DE)  
(73) Assignee: **Robert Bosch GmbH**, Stuttgart (DE)

6,688,349 B2 \* 2/2004 Roshilavati  
Razlan ..... B23Q 11/0042  
144/117.4  
D509,721 S \* 9/2005 Park ..... D8/62  
D570,661 S \* 6/2008 O'Hern ..... D8/62  
D601,874 S \* 10/2009 Hayakawa ..... D8/62  
D607,291 S \* 1/2010 Rosenau ..... D8/62  
D637,879 S \* 5/2011 Kawase ..... D8/62  
D683,604 S \* 6/2013 Shi ..... D8/62  
D743,225 S \* 11/2015 Aglassinger ..... D8/62

(\*\*) Term: **15 Years**

\* cited by examiner

(21) Appl. No.: **29/568,327**

*Primary Examiner* — Austin Murphy

(22) Filed: **Jun. 16, 2016**

(74) *Attorney, Agent, or Firm* — Maginot, Moore & Beck LLP

(30) **Foreign Application Priority Data**

(57) **CLAIM**

Dec. 17, 2015 (EM) ..... 002913897

The ornamental design for a cutting tool, as shown and described.

(51) **LOC (10) Cl.** ..... **08-01**

**DESCRIPTION**

(52) **U.S. Cl.**

USPC ..... **D8/62**

(58) **Field of Classification Search**

USPC ..... D8/61, 62; D32/15, 17, 19; D14/102;  
451/456, 451, 359, 358, 357, 356, 355,  
451/354, 353, 351, 344

CPC ..... B27C 1/10; B27C 1/14; B27G 17/025;  
B27G 17/02

See application file for complete search history.

FIG. 1 is a perspective view of a cutting tool showing our new design;  
FIG. 2 is a right side elevational view showing the design for the cutting tool of FIG. 1;  
FIG. 3 is a left side elevational view showing the design for the cutting tool of FIG. 1;  
FIG. 4 is a front elevational view showing the design for the cutting tool of FIG. 1;  
FIG. 5 is a rear elevational view showing the design for the cutting tool of FIG. 1;  
FIG. 6 is a top plan view showing the design for the cutting tool of FIG. 1; and,  
FIG. 7 is a bottom plan view showing the design for the cutting tool of FIG. 1.

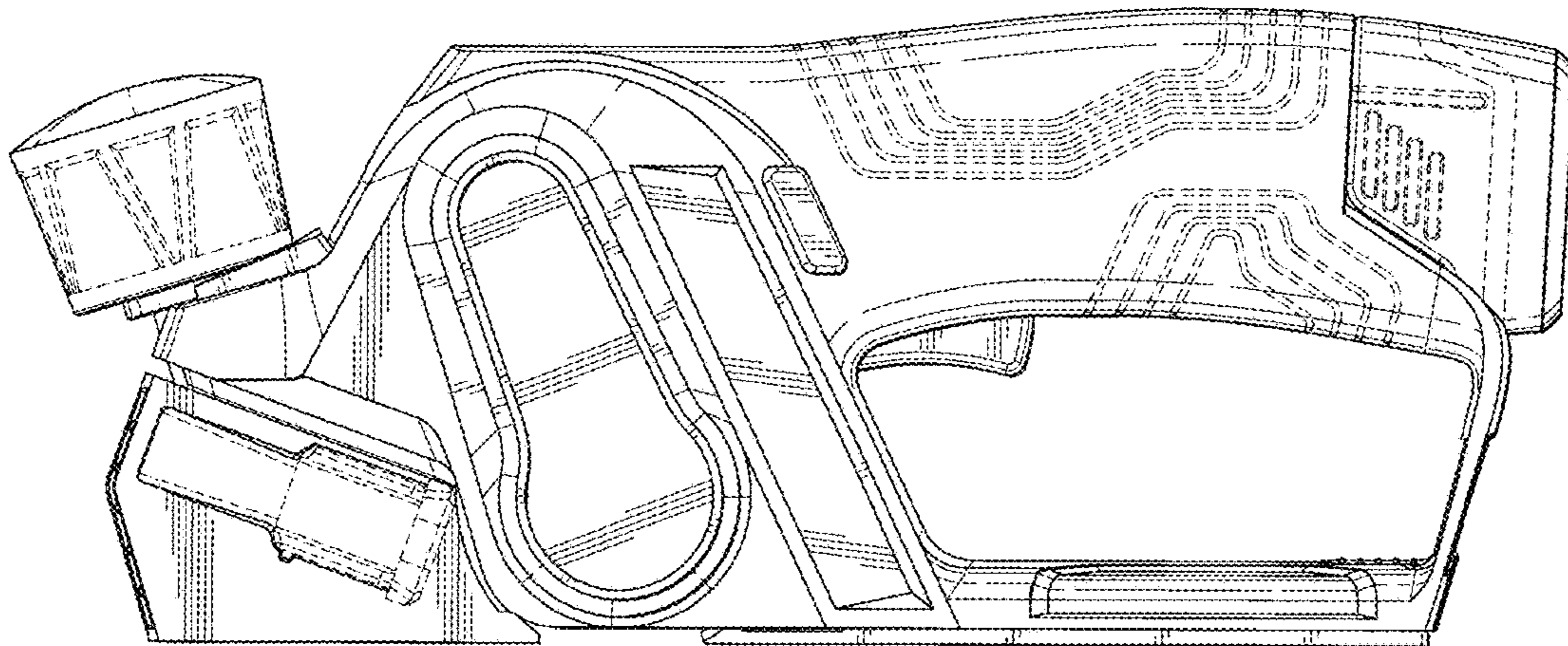
The broken lines shown in the drawings illustrate portions of the cutting tool that form no part of the claimed design.

(56) **References Cited**

**U.S. PATENT DOCUMENTS**

D166,045 S \* 2/1952 Moore ..... D8/62  
D305,606 S \* 1/1990 Cavedo ..... D8/61  
D323,098 S \* 1/1992 Sakamoto ..... D8/62  
5,815,934 A \* 10/1998 Eichberger ..... B23Q 11/0046  
144/252.1  
D475,594 S \* 6/2003 Bian ..... D8/62

**1 Claim, 7 Drawing Sheets**



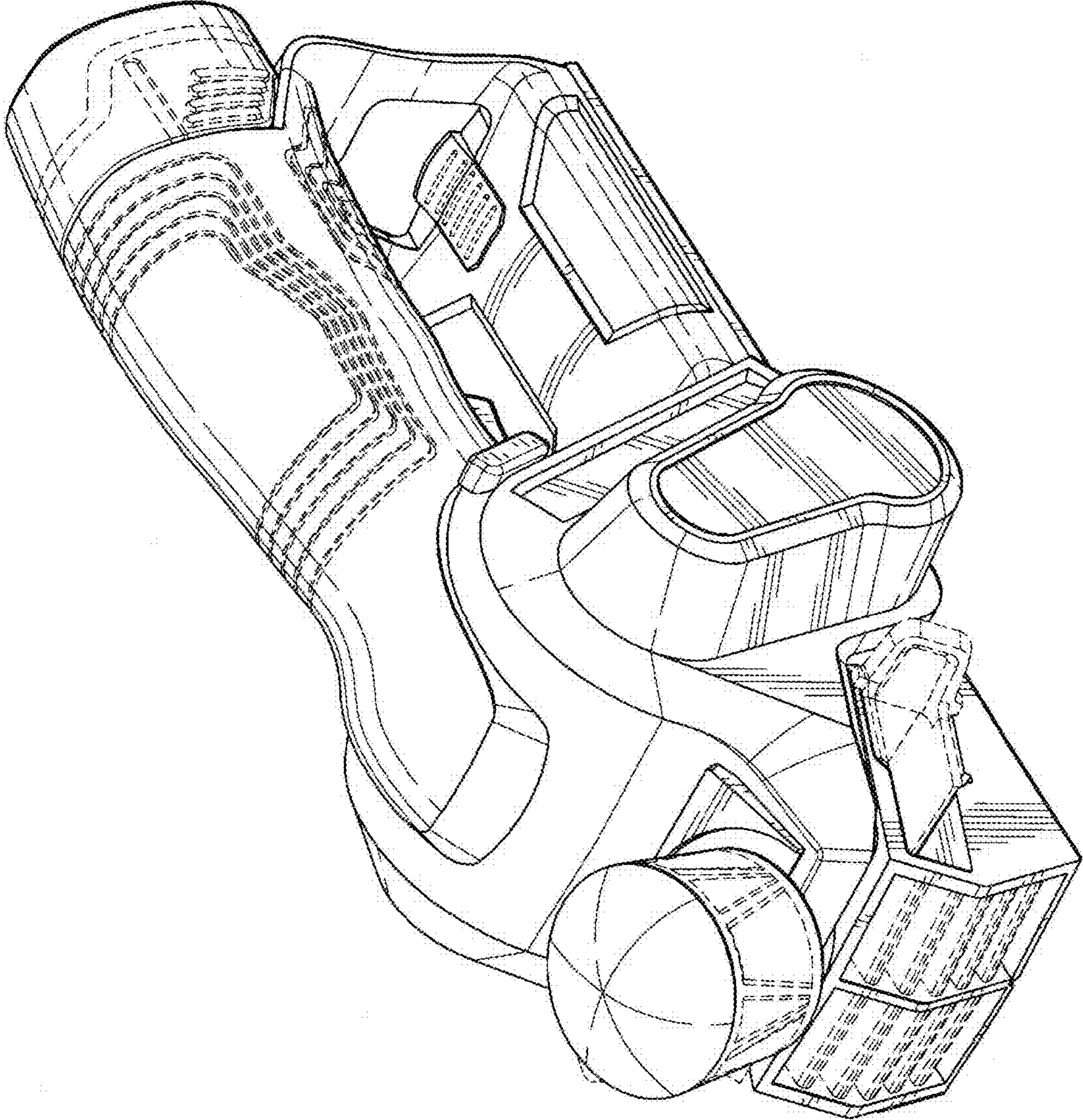


Fig. 1

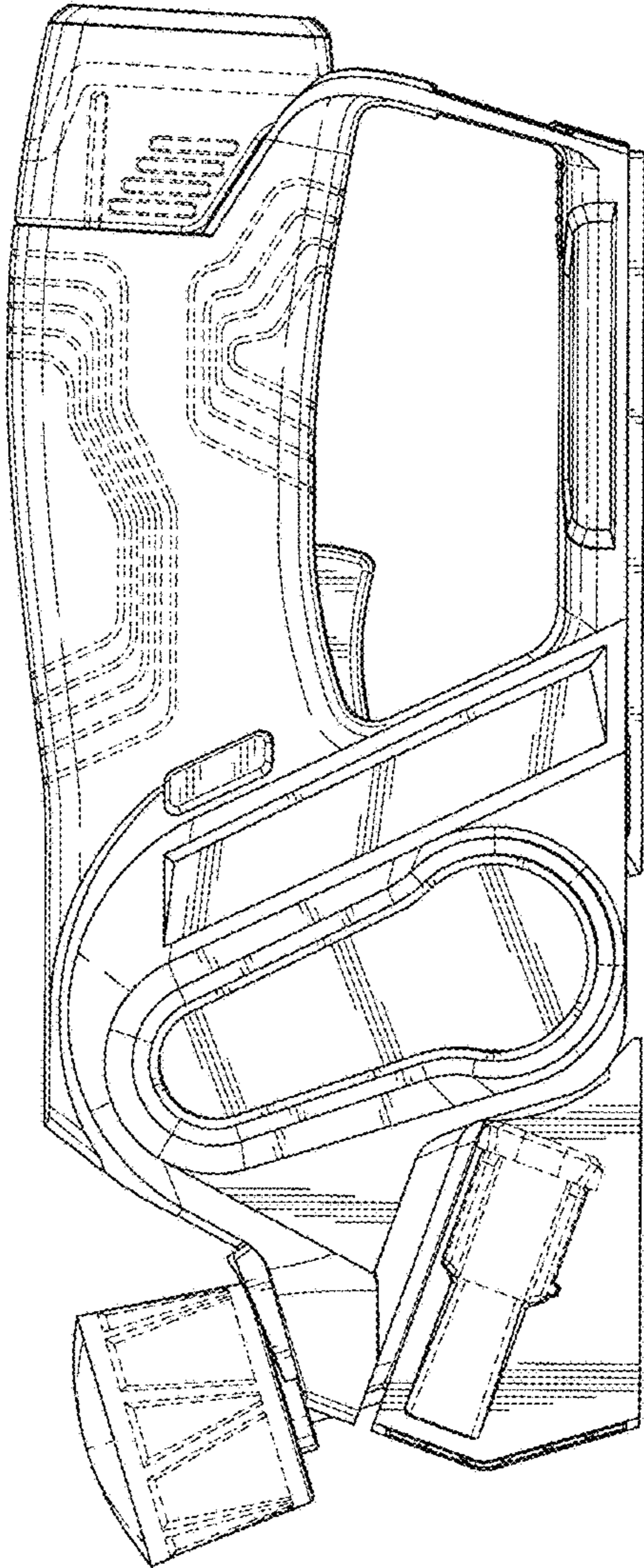


Fig. 2

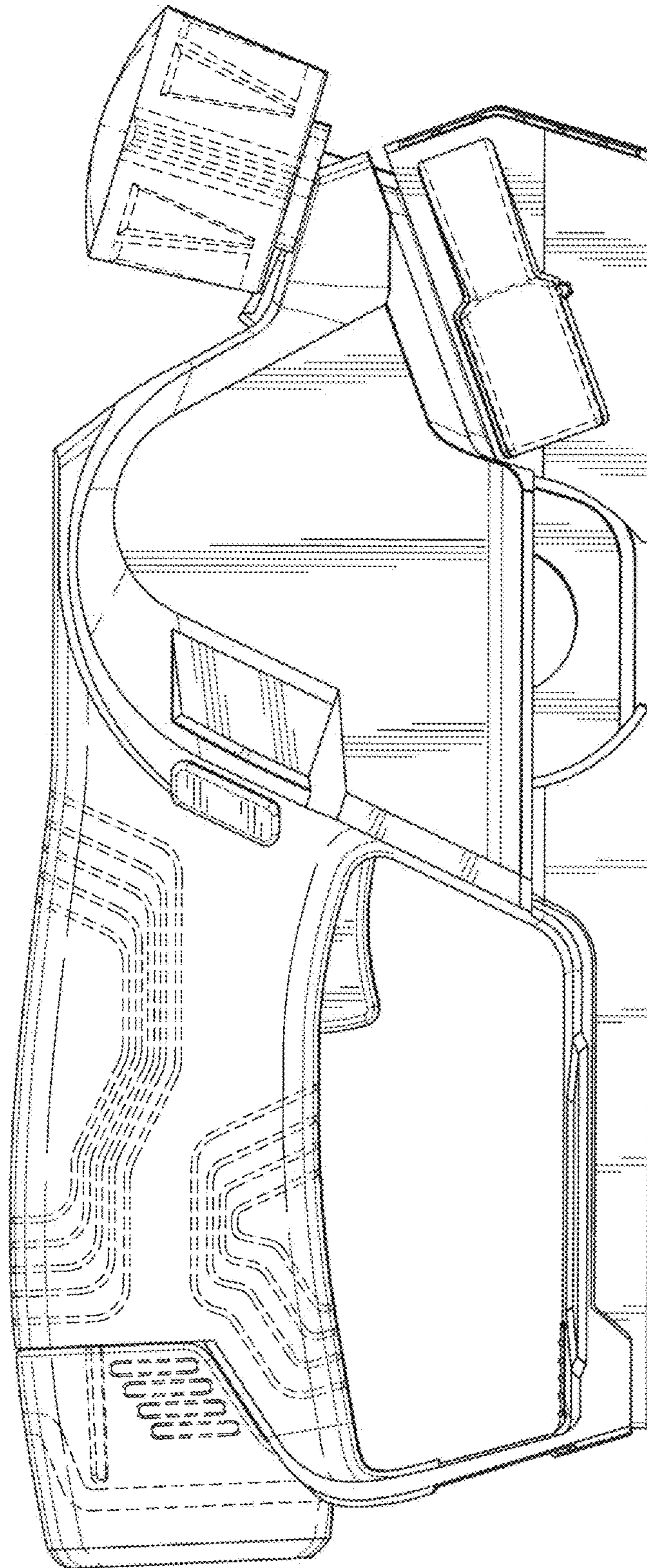


Fig. 3

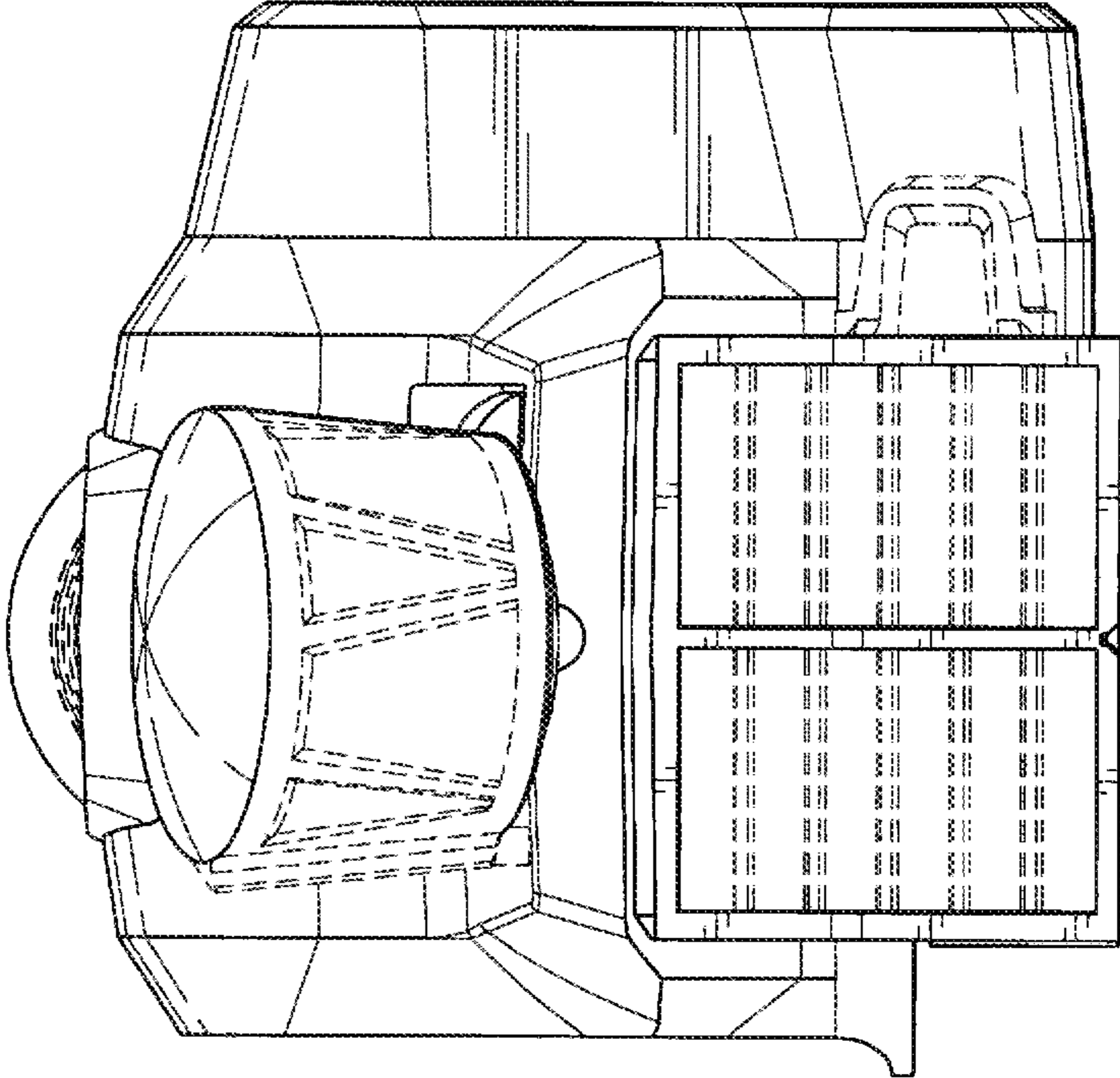


Fig. 4

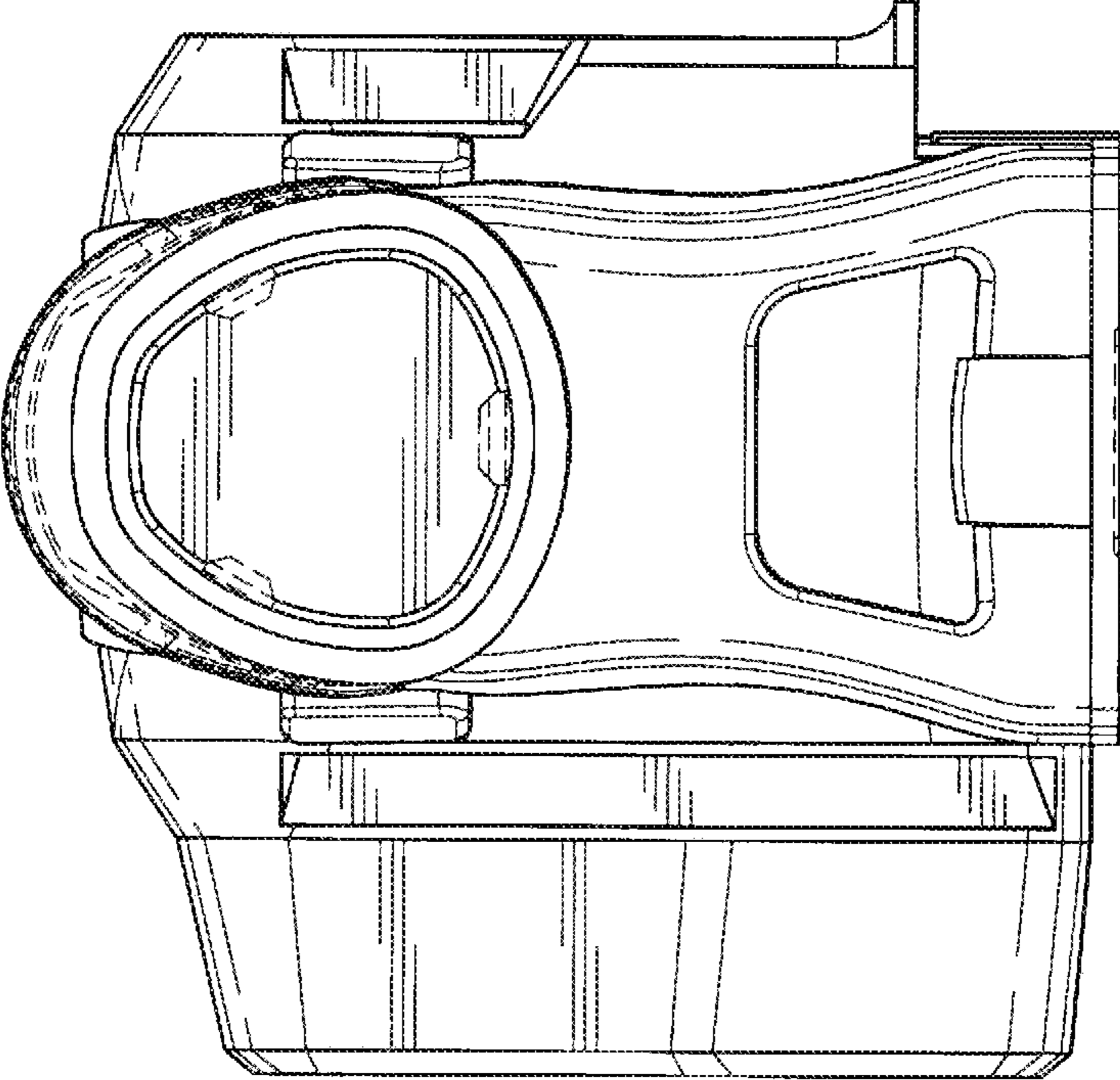


Fig. 5

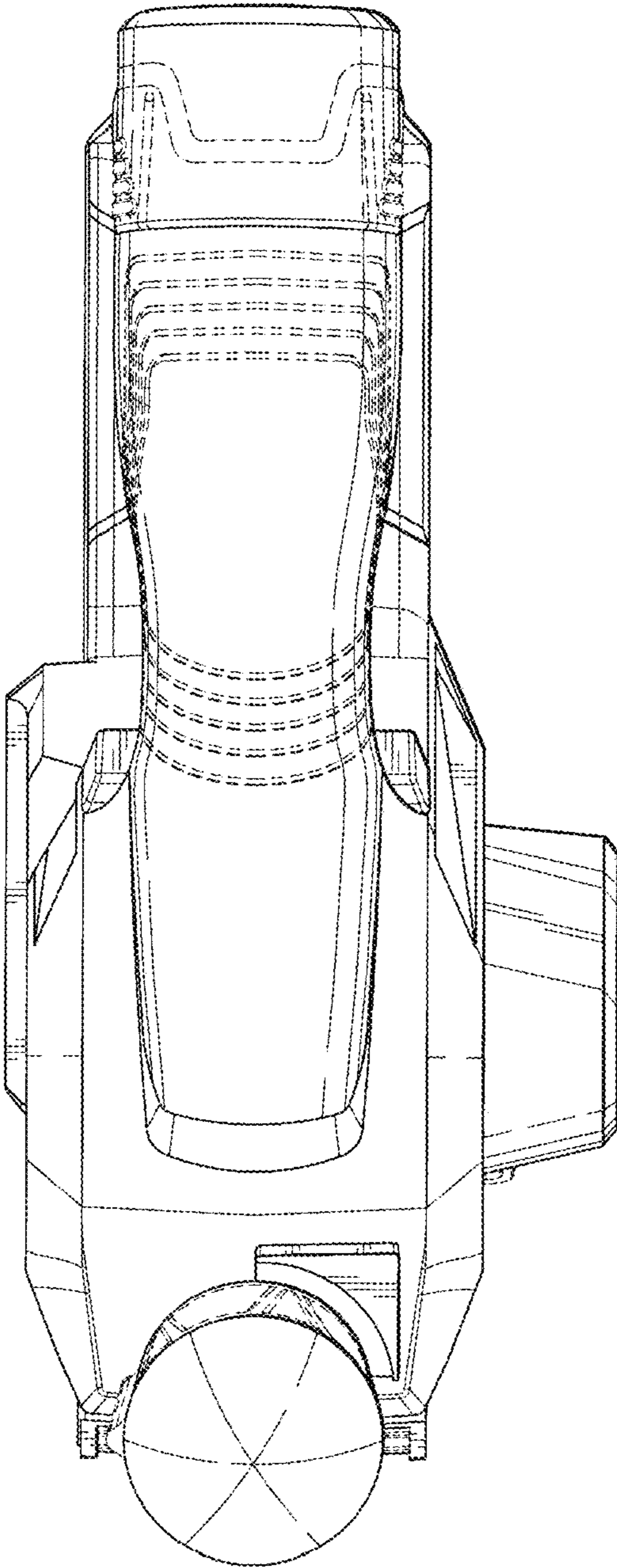


Fig. 6

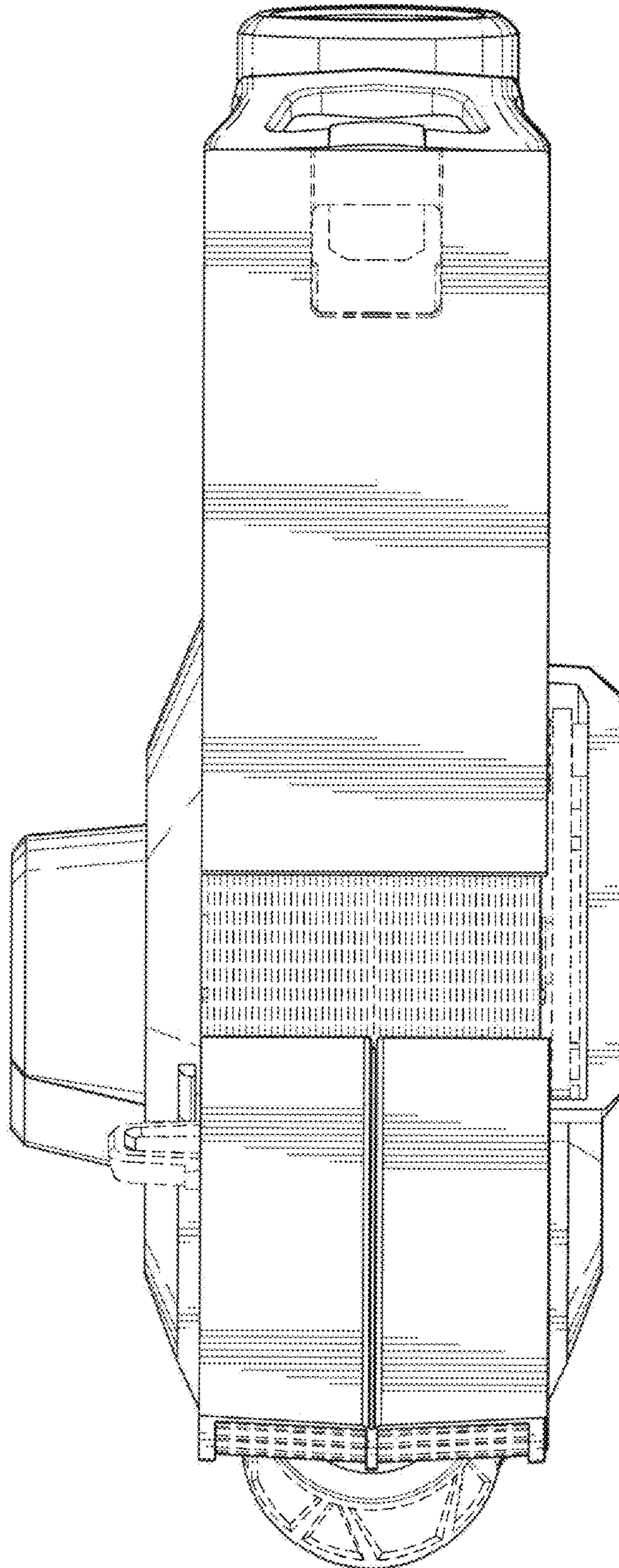


Fig. 7