



US00D788556S

(12) **United States Design Patent**
James

(10) **Patent No.:** **US D788,556 S**

(45) **Date of Patent:** **** *Jun. 6, 2017**

(54) **BILATERAL MECHANISM**

(71) Applicant: **Gavin Hugh James**, Ledbury (GB)

(72) Inventor: **Gavin Hugh James**, Ledbury (GB)

(*) Notice: This patent is subject to a terminal disclaimer.

(**) Term: **14 Years**

(21) Appl. No.: **29/498,392**

(22) Filed: **Aug. 4, 2014**

(51) **LOC (10) Cl.** **08-05**

(52) **U.S. Cl.**
USPC **D8/51**

(58) **Field of Classification Search**
USPC D8/4, 5, 51-60
CPC B25J 1/04; B25J 1/06; B25J 13/02; B25B 9/00; E01H 1/12
See application file for complete search history.

D617,619 S * 6/2010 Bensussan D8/51
D655,589 S * 3/2012 Owens D8/51
8,500,180 B2 * 8/2013 Buzby B25B 7/12
294/111
9,004,563 B2 * 4/2015 Buzby A47F 13/06
294/115
2010/0102583 A1 * 4/2010 McCoy B25J 1/04
294/107
2014/0008930 A1 * 1/2014 James B25J 1/04
294/198
2014/0035305 A1 * 2/2014 Ludwig B25J 1/01
294/200

* cited by examiner

Primary Examiner — Deanna L Pratt

(74) *Attorney, Agent, or Firm* — Gary E. Lambert; David J. Connaughton, Jr.; Lambert & Associates

(57) **CLAIM**

The ornamental design for a bilateral mechanism, as shown and described.

DESCRIPTION

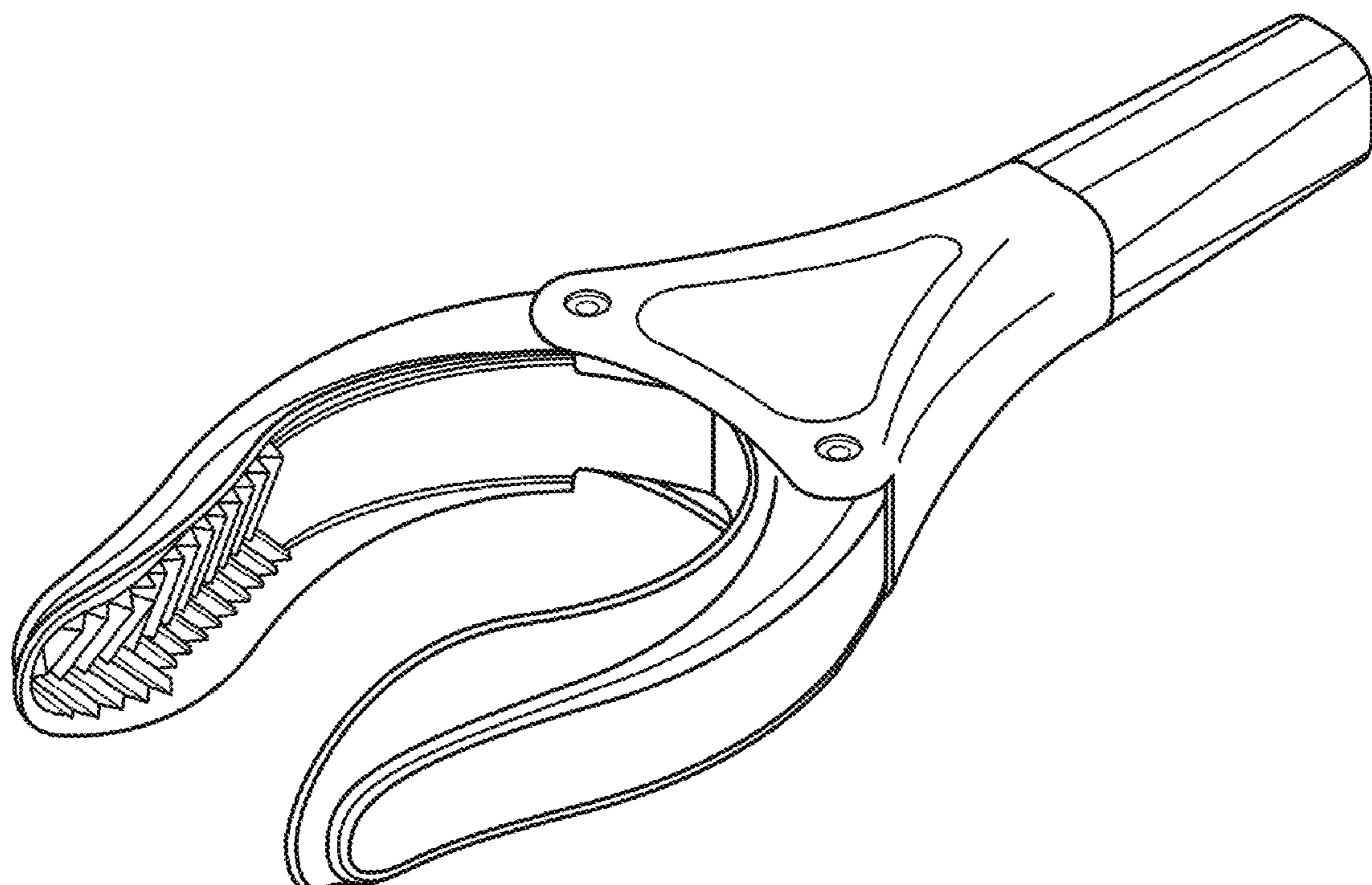
FIG. 1 is an isometric view of the front of the bilateral mechanism, which embodies my design;
FIG. 2 is a front view of the bilateral mechanism;
FIG. 3 is a rear view of the bilateral mechanism;
FIG. 4 is a top plane view of the bilateral mechanism;
FIG. 5 is a bottom plane view of the bilateral mechanism;
FIG. 6 is a left side of view of the bilateral mechanism;
FIG. 7 is a right side of view of the bilateral mechanism; and,
FIG. 8 is an exploded of view of the bilateral mechanism.

1 Claim, 4 Drawing Sheets

(56) **References Cited**

U.S. PATENT DOCUMENTS

4,647,094 A * 3/1987 Bergkvist B25J 1/04
294/111
4,669,769 A * 6/1987 Polder, Jr. B25B 7/12
294/111
D298,728 S * 11/1988 Bergkvist D8/51
D333,075 S * 2/1993 Incantalupo D8/14
D582,233 S * 12/2008 Bensussan D8/51
D591,120 S * 4/2009 Buzby D8/51
D591,121 S * 4/2009 Buzby D8/51



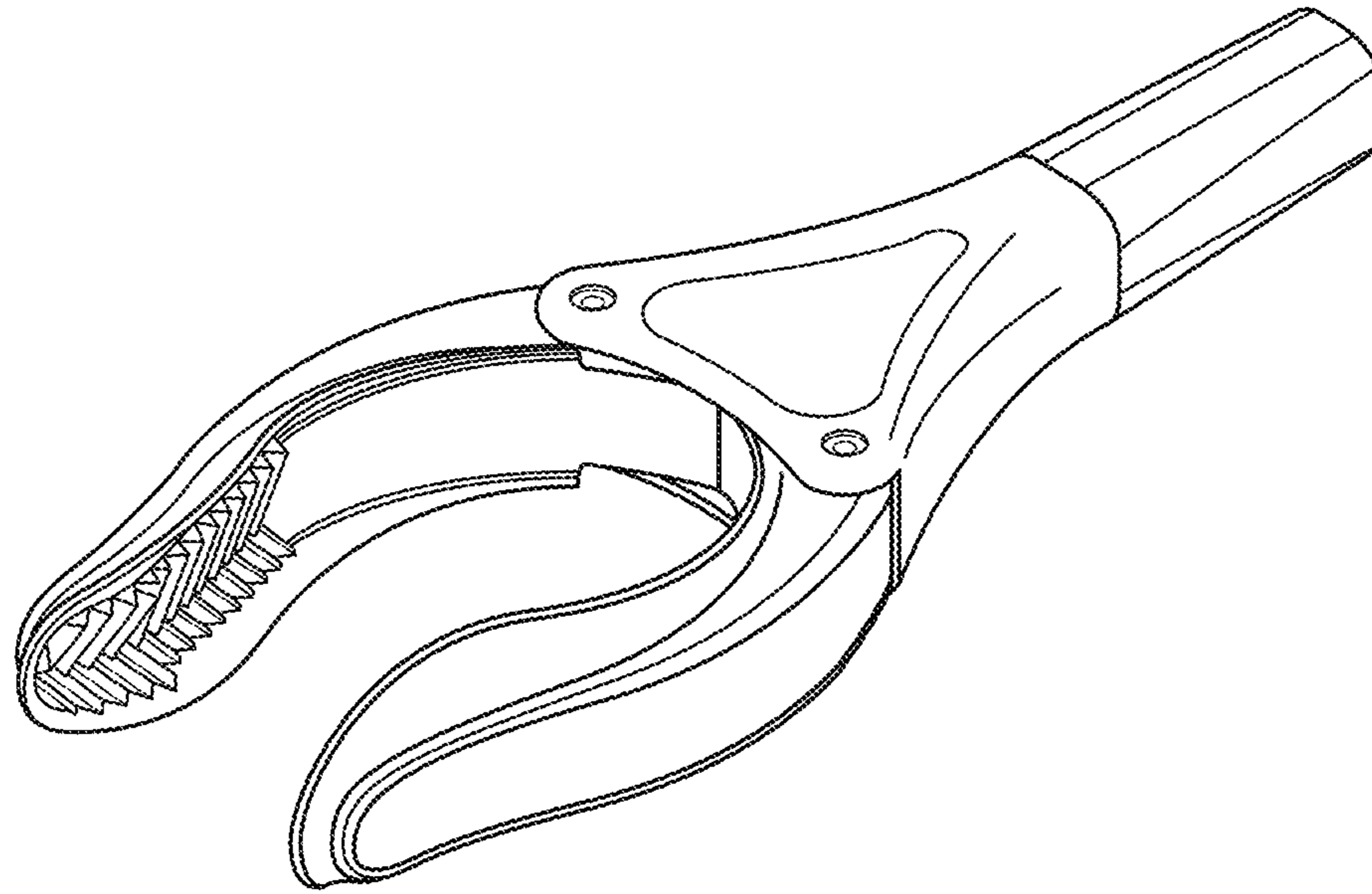


Fig. 1

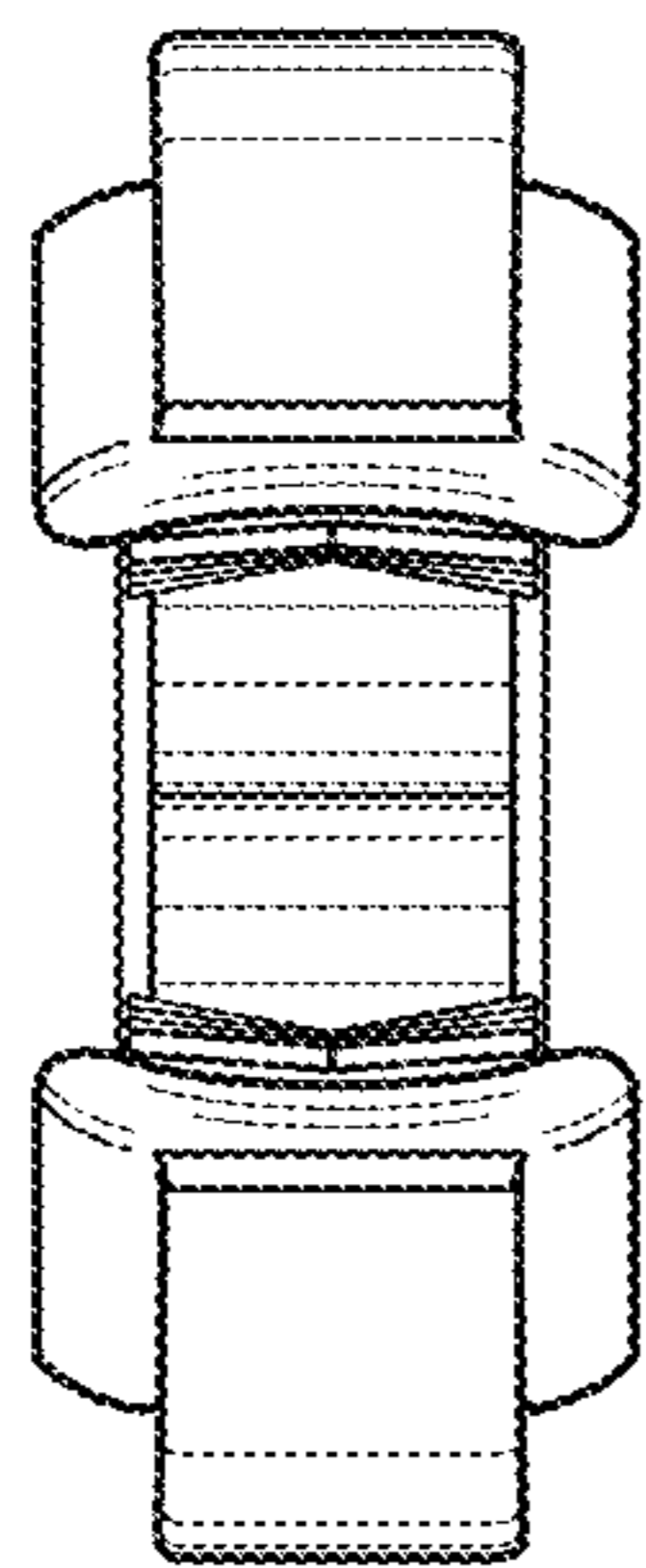


Fig. 2

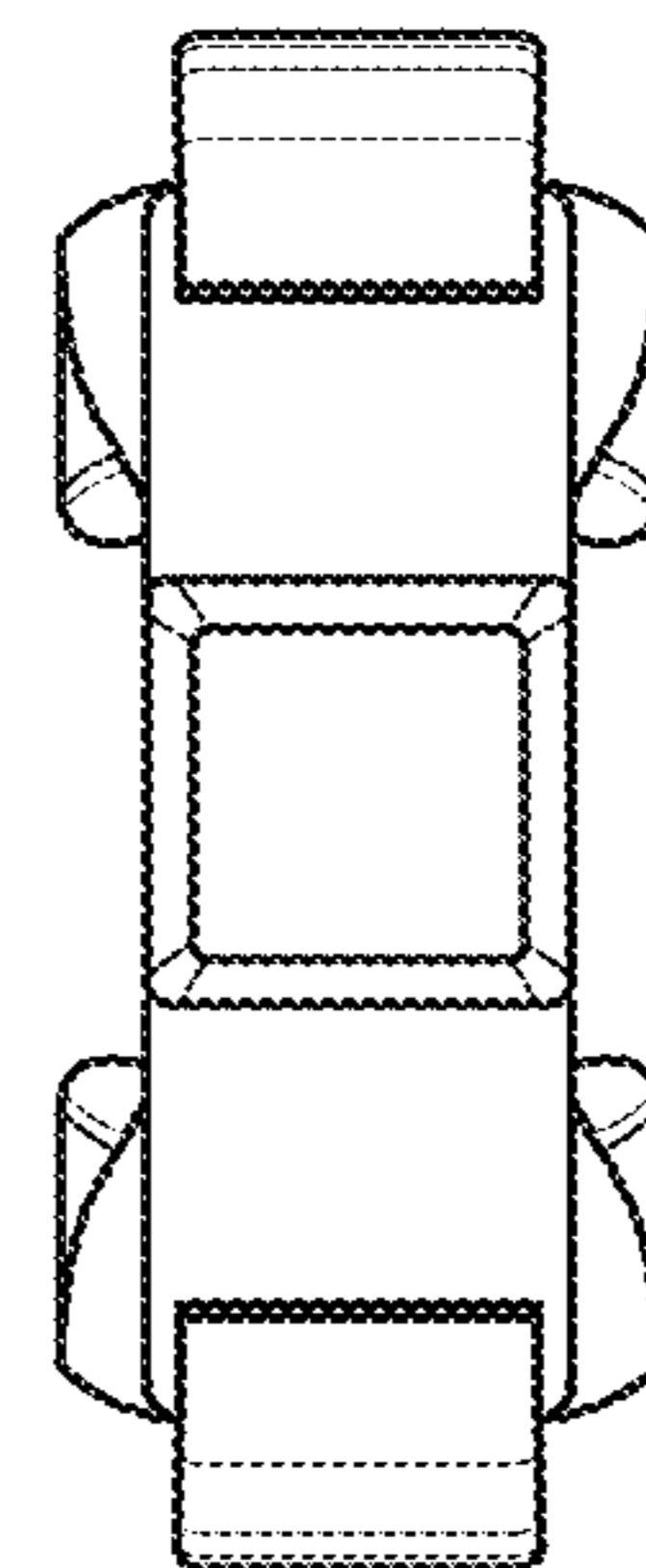


Fig. 3

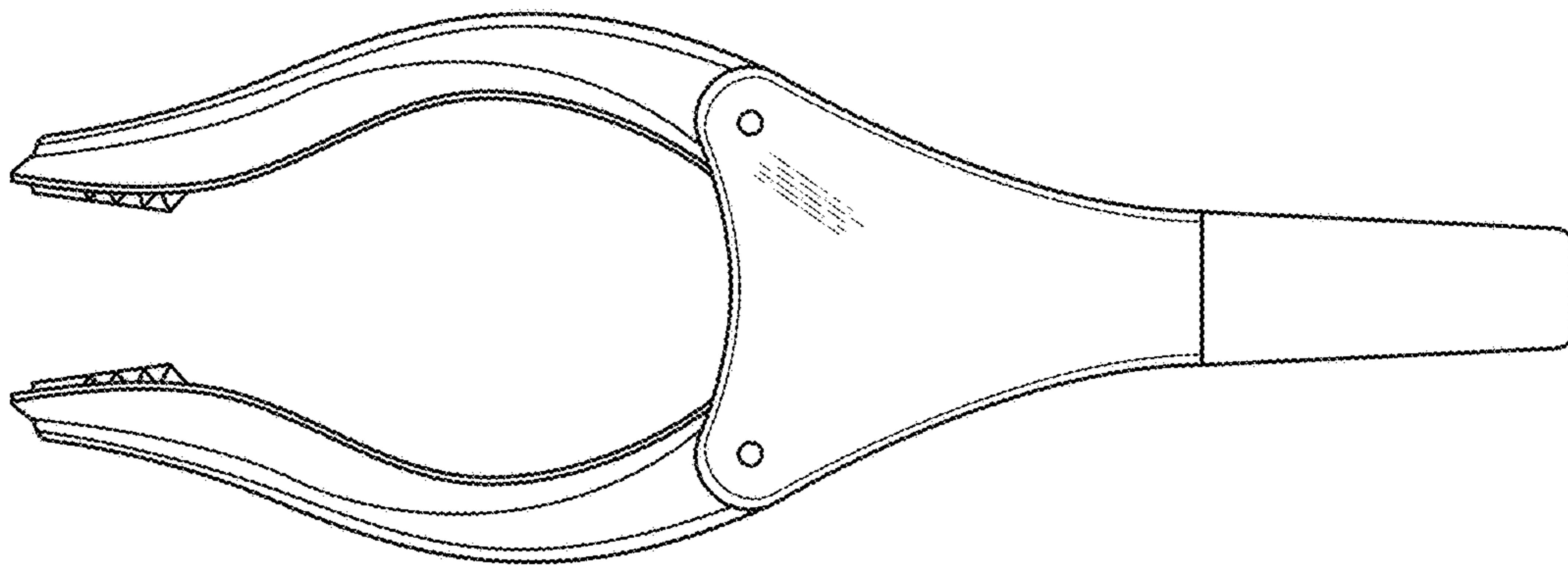


Fig. 4

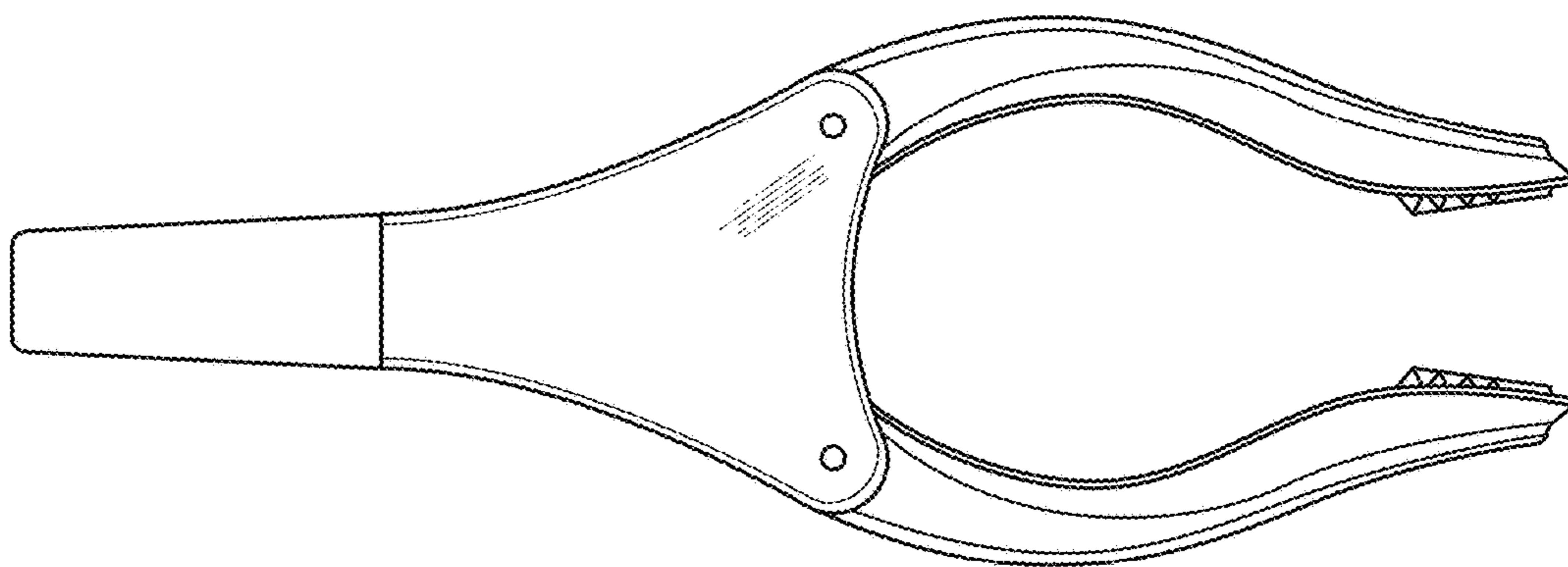


Fig. 5

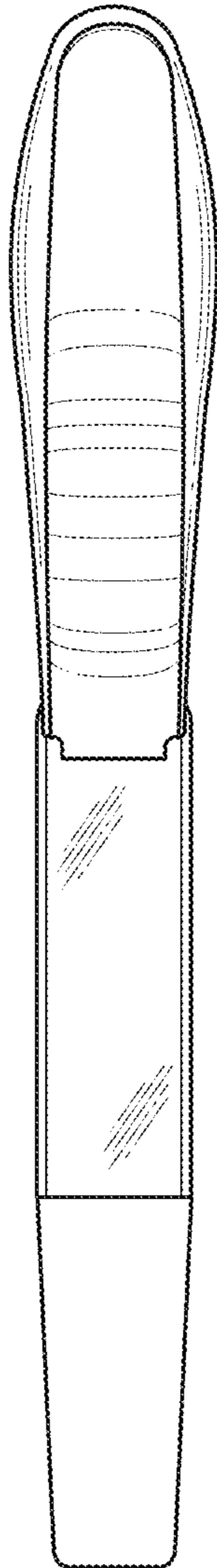


Fig. 6

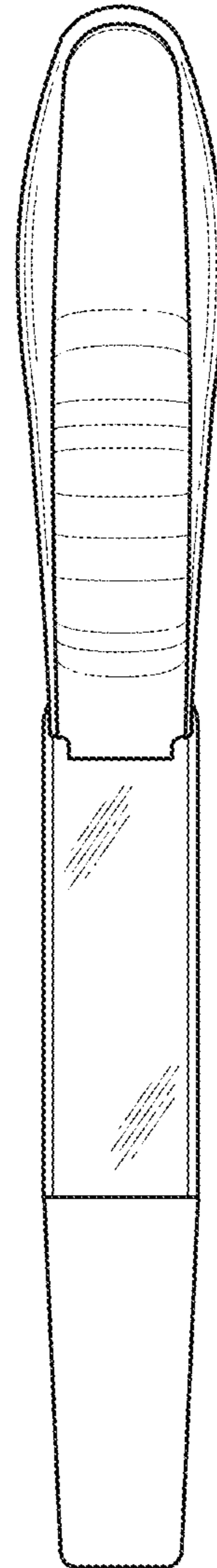


Fig. 7

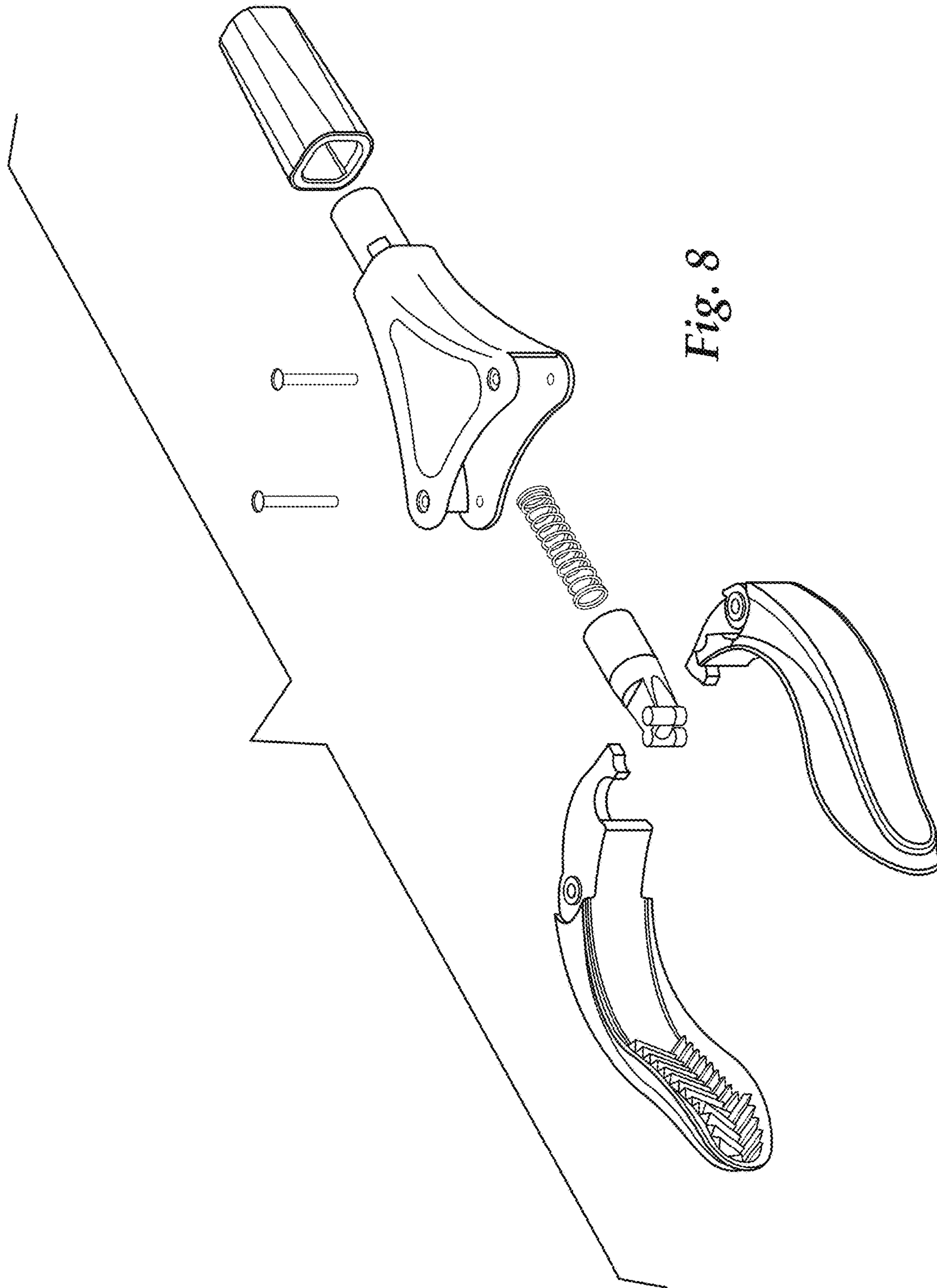


Fig. 8