



US00D788553S

(12) **United States Design Patent**  
**Hung**

(10) **Patent No.:** **US D788,553 S**

(45) **Date of Patent:** **\*\* Jun. 6, 2017**

- (54) **CAULKING GUN**
- (71) Applicant: **SIANG SYUAN FU ENTERPRISE CO., LTD.**, Hemei Township, Changhua County (TW)
- (72) Inventor: **Hung-Chih Hung**, Hemei Township, Changhua County (TW)
- (73) Assignee: **SIANG SYUAN FU ENTERPRISE CO., LTD.**, Hemei Township, Changhua County (TW)

D511,077 S \* 11/2005 Huang ..... D8/14.1  
 7,073,691 B2 \* 7/2006 Rumrill ..... B05C 17/01  
 222/327  
 D635,835 S \* 4/2011 Post ..... D8/14.1  
 D654,768 S \* 2/2012 Rumrill ..... D8/14.1  
 D762,431 S \* 8/2016 Lee ..... B05C 17/0116  
 D8/14.1

\* cited by examiner

*Primary Examiner* — Phillip S Hyder

(74) *Attorney, Agent, or Firm* — Muncy, Geissler, Olds & Lowe, P.C.

(\*\*) Term: **15 Years**

(21) Appl. No.: **29/547,988**

(22) Filed: **Dec. 9, 2015**

(51) **LOC (10) Cl.** ..... **08-05**

(52) **U.S. Cl.**  
USPC ..... **D8/14.1**

(58) **Field of Classification Search**  
USPC ..... D8/14.1, 30, 51  
CPC ..... B05C 17/00553; B05C 17/01; B05C  
17/0123; B05C 17/012  
See application file for complete search history.

(56) **References Cited**

**U.S. PATENT DOCUMENTS**

D170,428 S \* 9/1953 Peterson ..... D8/14.1  
 4,072,254 A \* 2/1978 Cox ..... B05C 17/0123  
 222/391  
 D285,895 S \* 9/1986 Cox ..... D8/14.1  
 5,372,286 A \* 12/1994 King ..... B05C 17/0123  
 222/391  
 D388,672 S \* 1/1998 Kelders ..... D8/14.1  
 D413,235 S \* 8/1999 Hwang ..... D8/14.1  
 6,488,180 B1 \* 12/2002 Bayat ..... B05C 17/00553  
 222/137

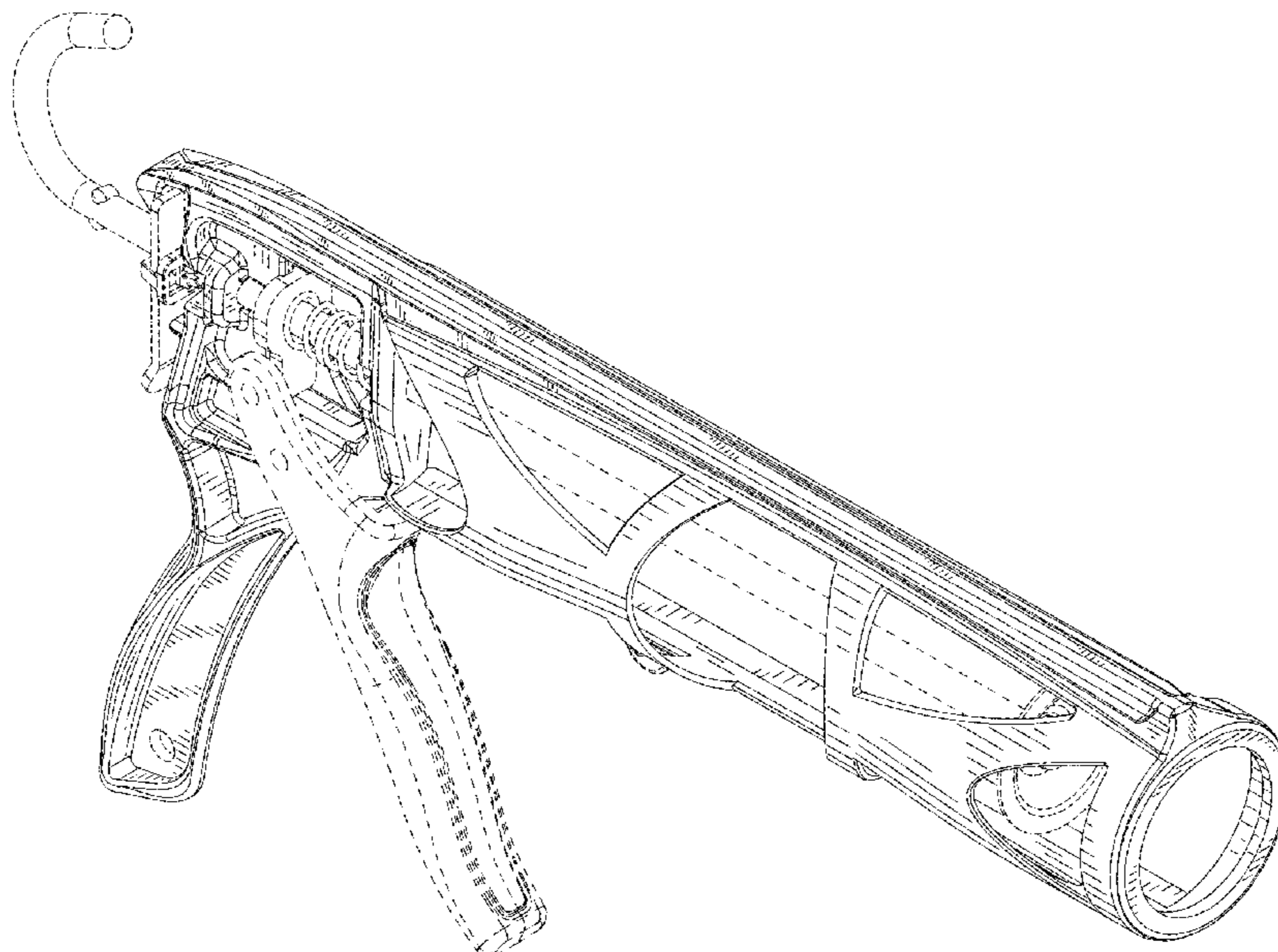
(57) **CLAIM**

I claim the ornamental design for a caulking gun, as shown and described.

**DESCRIPTION**

FIG. 1 is a front, right, top perspective view of a caulking gun showing my new design;  
 FIG. 2 is a front elevational view thereof;  
 FIG. 3 is a rear elevational view thereof;  
 FIG. 4 is a left side view thereof;  
 FIG. 5 is a right side view thereof;  
 FIG. 6 is a top plan view thereof;  
 FIG. 7 is a bottom plan view thereof;  
 FIG. 8 is a front, left, top perspective view thereof;  
 FIG. 9 is a front, right, top perspective view of the caulking gun, with a trigger and plunger assembly depicted in broken lines; and,  
 FIG. 10 is a rear, left, and bottom perspective view of the caulking gun, with a trigger and plunger assembly depicted in broken lines.  
 The broken lines in the drawings illustrate portions of the caulking gun which form no part of the claimed design.

**1 Claim, 8 Drawing Sheets**



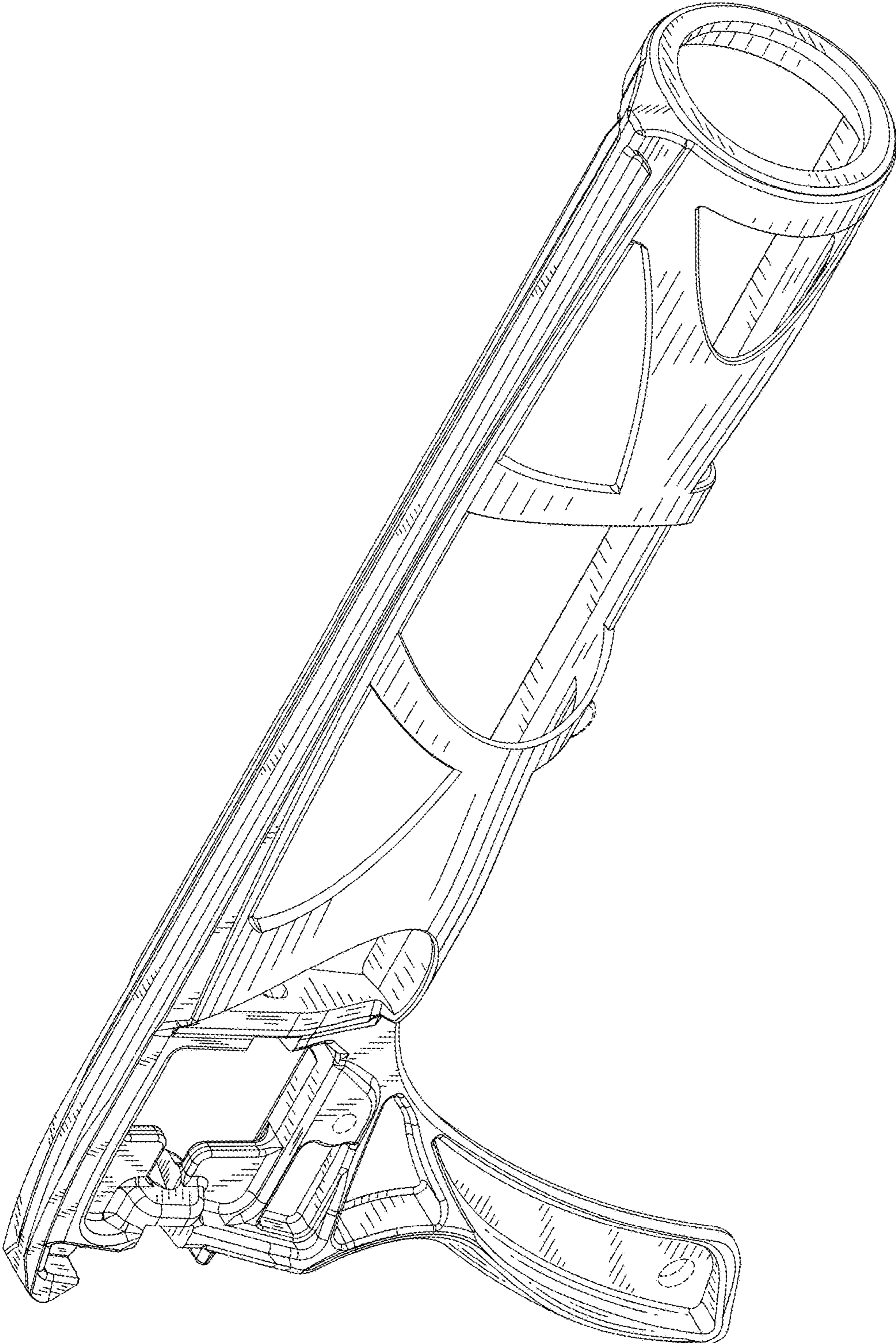


FIG. 1

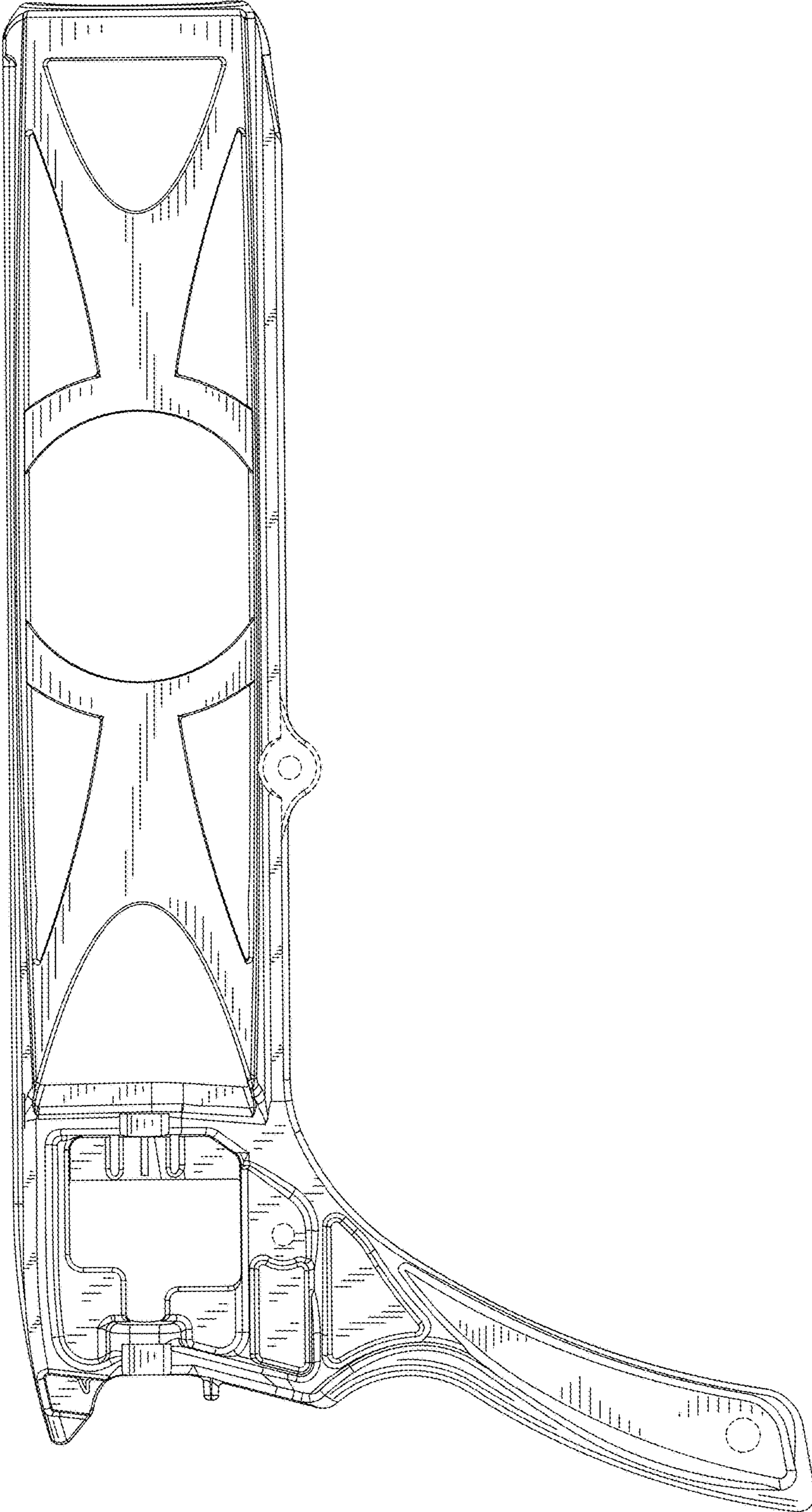


FIG. 2

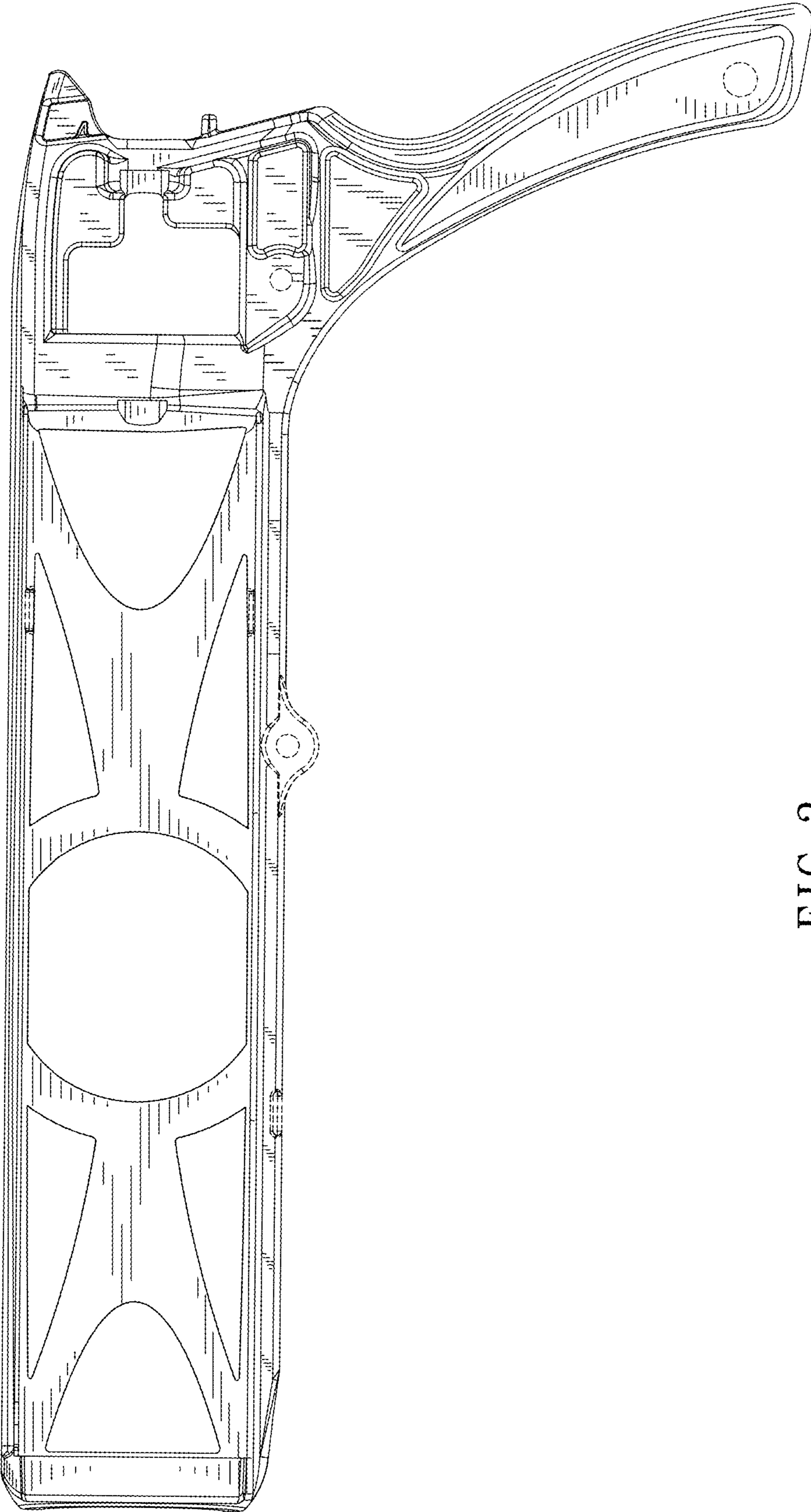


FIG. 3

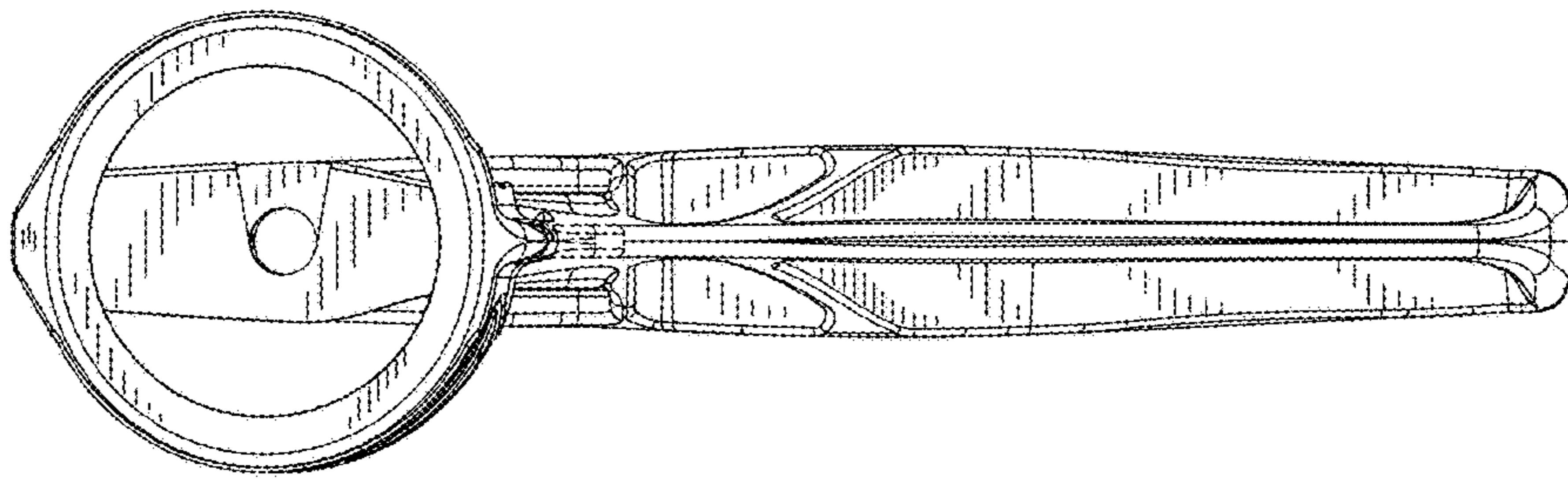


FIG. 5

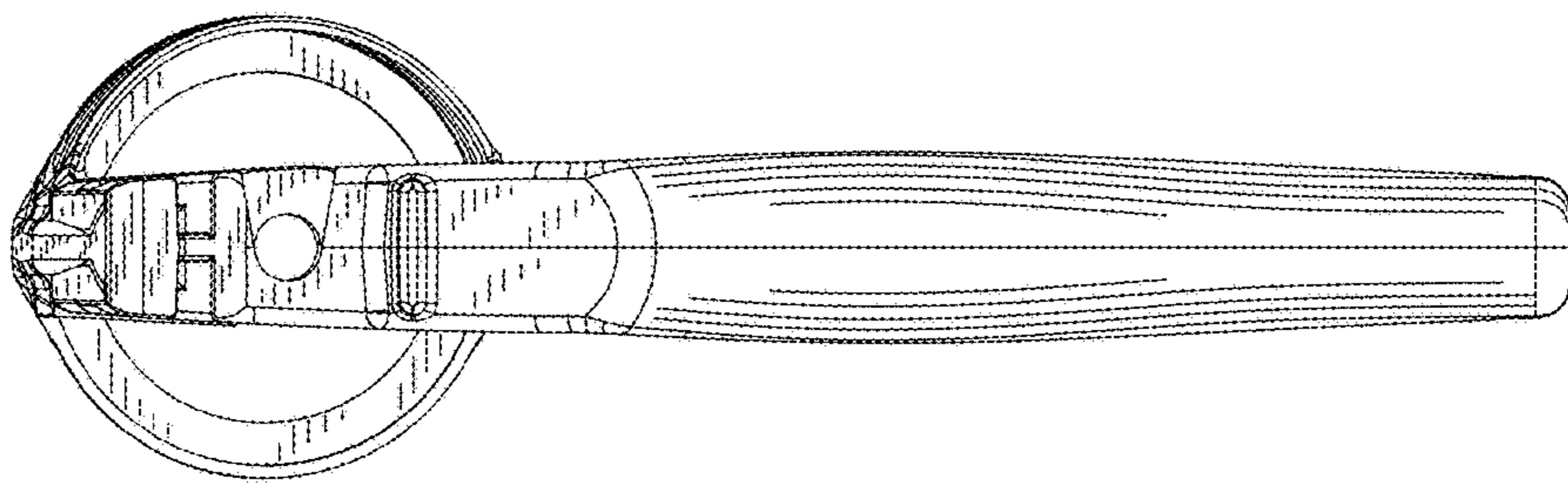


FIG. 4

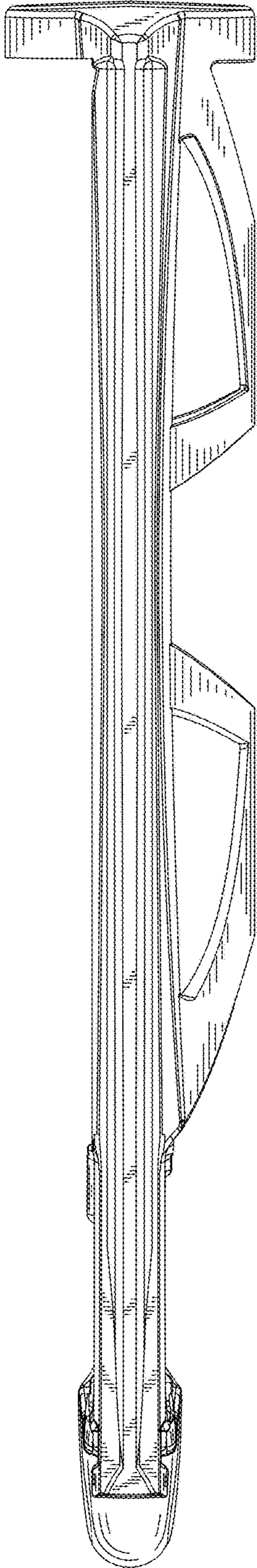


FIG. 6

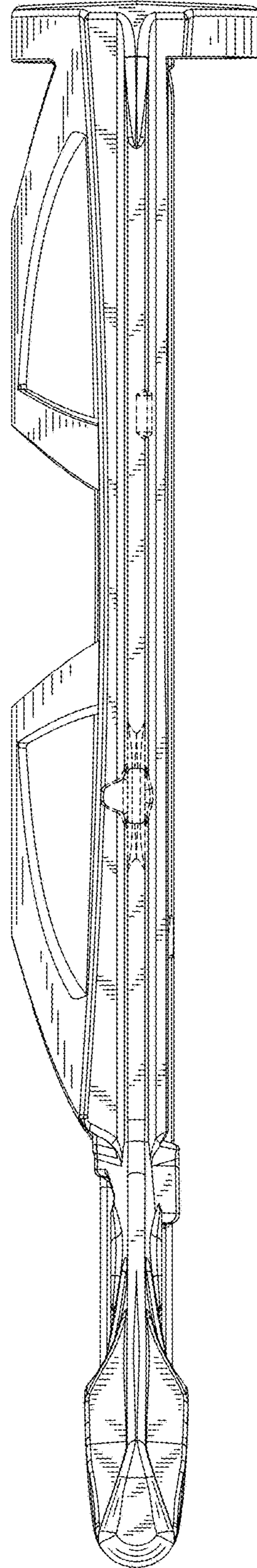


FIG. 7

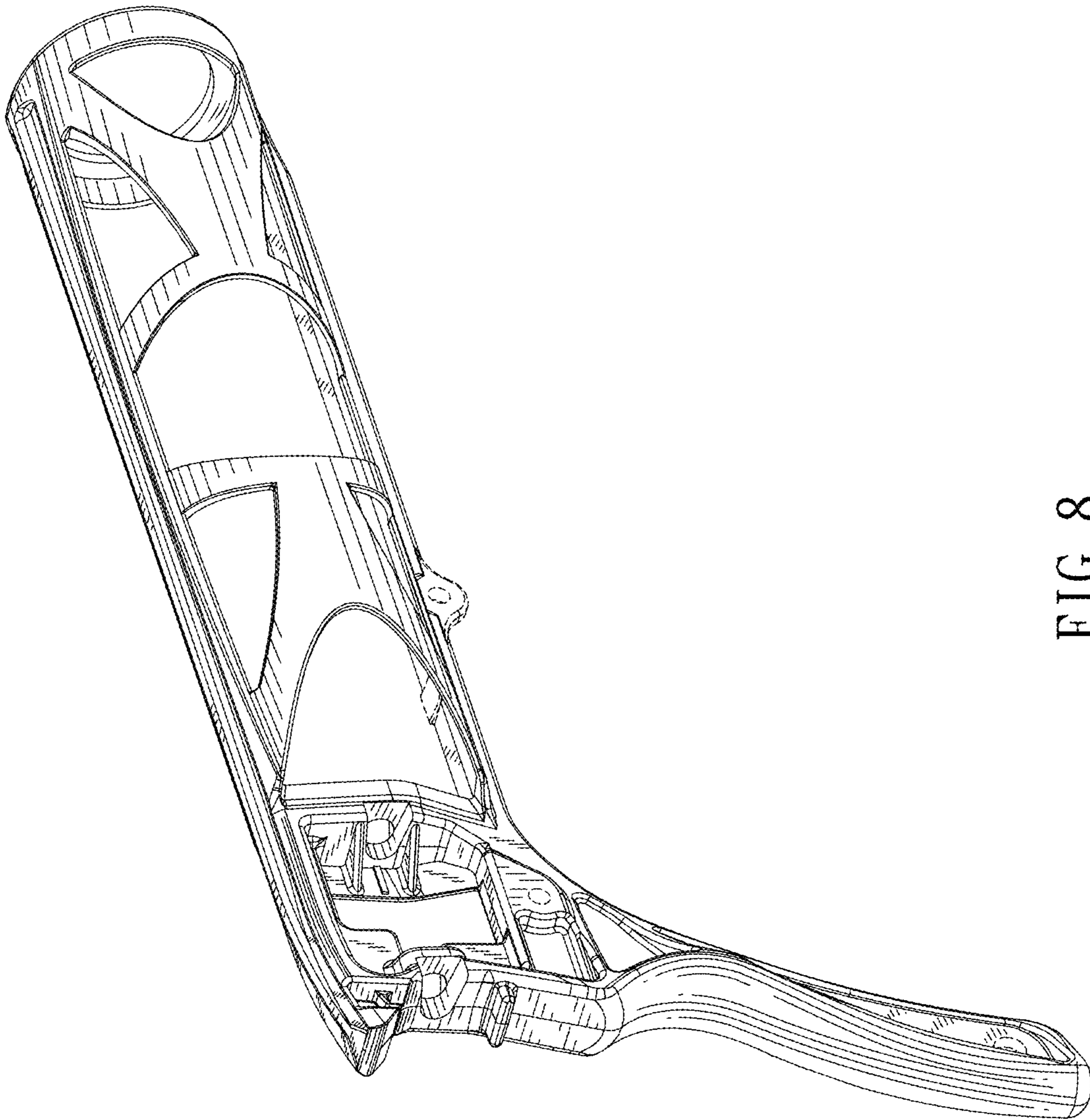


FIG. 8

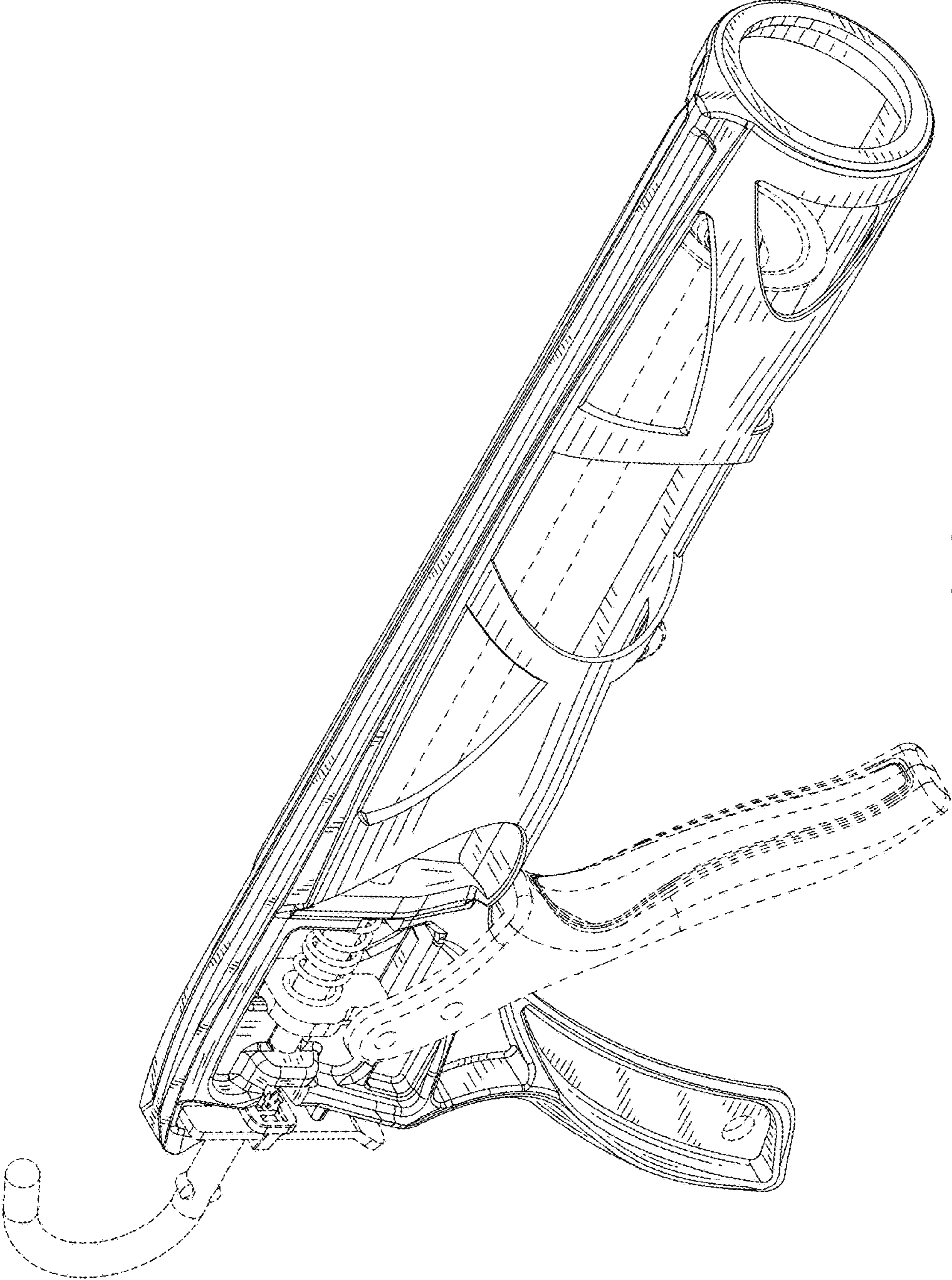


FIG. 9



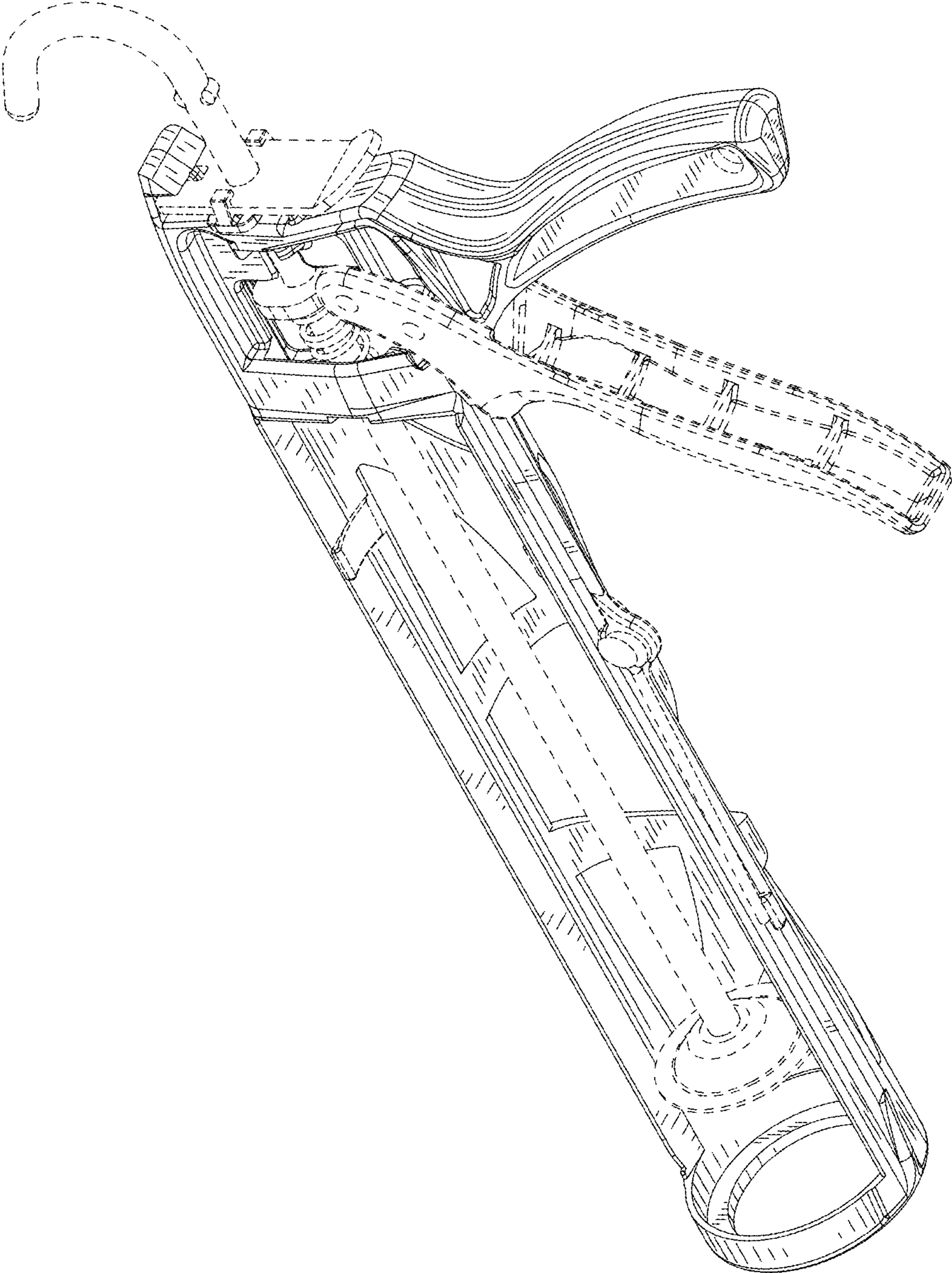


FIG. 10